

Parts Manual

Cat.# 90-804862003

Revised 09-10-2020

TABLE OF CONTENTS

Cat.# 90-804862003	
Service and Support Material	1
Maintenance Kits	3
Starter Motor	7
Alternator and Brackets	9
Gear Lube Monitor	11
Electrical Components	13
Distributor and Ignition Components	15
Fuel Supply System	17
Carburetor	19
Intake / Exhaust Manifold	23
Cylinder Head and Rocker Cover	25
Cylinder Block Front Cover and Circulating Pump	29
Cylinder Block Crankshaft and Camshaft	31
Piston and Connecting Rods	33
Oil Pan and Oil Pump	35
Flywheel Housing	39
Standard Cooling System	41
Closed Cooling System	45
Drain System	49
Steering Components	51
Exhaust System	53
Shift Bracket	55
Engine Mounting	57
Remote Oil Filter Accessory Kit 861480A 1	59
Gasket Set Components (27-810846A05) Engine Overhaul	61

Service and Support Material

Service and Support Material

Ref #	Part Class	Part Number	Description	Comments	Qty	Note
-	0090	804862003	PARTS MANUAL 3.0L Alpha One		1	
-	0090	860168060	OPERATION MANUAL 3.0L	[1A299999] & Below	1	
-	0090	860168070	OPERATION MANUAL 3.0L	[1A300000] THRU [1A603888]	1	
-	0090	879288268	OPERATION MANUAL 3.0L	[1A603889] THRU [1A607644]	1	
-	0090	879288290	OPERATION MANUAL 3.0L	[1A607645] THRU [1A611927]	1	
-	0090	879288310	OPERATION MANUAL 3.0L	[1A611928] THRU [1A624937]	1	
-	0090	8M0048399	OPERATION MANUAL 3.0L	[1A624938] THRU [TBD]	1	
-	0090	8M0054190	OPERATION MANUAL 3.0L	[TBD] THRU [2A053406]	1	
-	0090	8M0074347	OPERATION MANUAL 3.0L TKS/MPI	[2A053407] & Up	1	
-	0090	8613291	SERVICE MANUAL		1	
-	0090	866202	SERVICE MANUAL Turn Key Start Supplement		1	
-	0037	8M2009755	DECAL Flame Arrestor		1	
-	0037	8M2018273	DECAL Belt Routing (With Power Steering)		1	
-	0037	8M2018274	DECAL Belt Routing (Without Power Steering)		1	
-	0027	810846A05	GASKET SET		1	
-	0000	864626A01	MARINE LONG BLOCK ENGINE		1	[1]

PART NOTES:

- [1] - Alternate part numbers:
 864626A01QS
 864626A02QS
 8M0128770QS

Maintenance Kits

Ref #	Part Class	Part Number	Description	Comments	Qty	Note
-	0000	8M0147048	MAINTENANCE KIT 3.0L Carb (100 Hours)		1	
-	0035	866340K01	FILTER Oil - Mercury Brand		1	[1]
-	0035	8M0046751	FILTER KIT (Mercury Brand) Fuel		1	[2]
-	0035	53336Q	STRAINER Carb Fuel		1	[3]
-	0026	830749	SEAL		2	
-	0000	8M0147061	MAINTENANCE KIT 3.0L Carb (300 Hours)		1	
-	0035	866340K01	FILTER Oil - Mercury Brand		1	[1]
-	0035	8M0046751	FILTER KIT (Mercury Brand) Fuel		1	[2]
-	0035	53336Q	STRAINER Carb Fuel		1	[3]
-	0026	830749	SEAL		2	
-	0033	816336Q	SPARK PLUG		4	
-	0057	862054Q	BELT Alternator		1	
-	0057	65607Q	V BELT 37 in. (940 mm) length Power steering		1	
-	0000	8M0109441	THERMOSTAT 71Degree C (160 Degree F)		1	[4]
-	0027	331792	GASKET		1	[5]
-	0027	806871	GASKET		1	

PART NOTES:

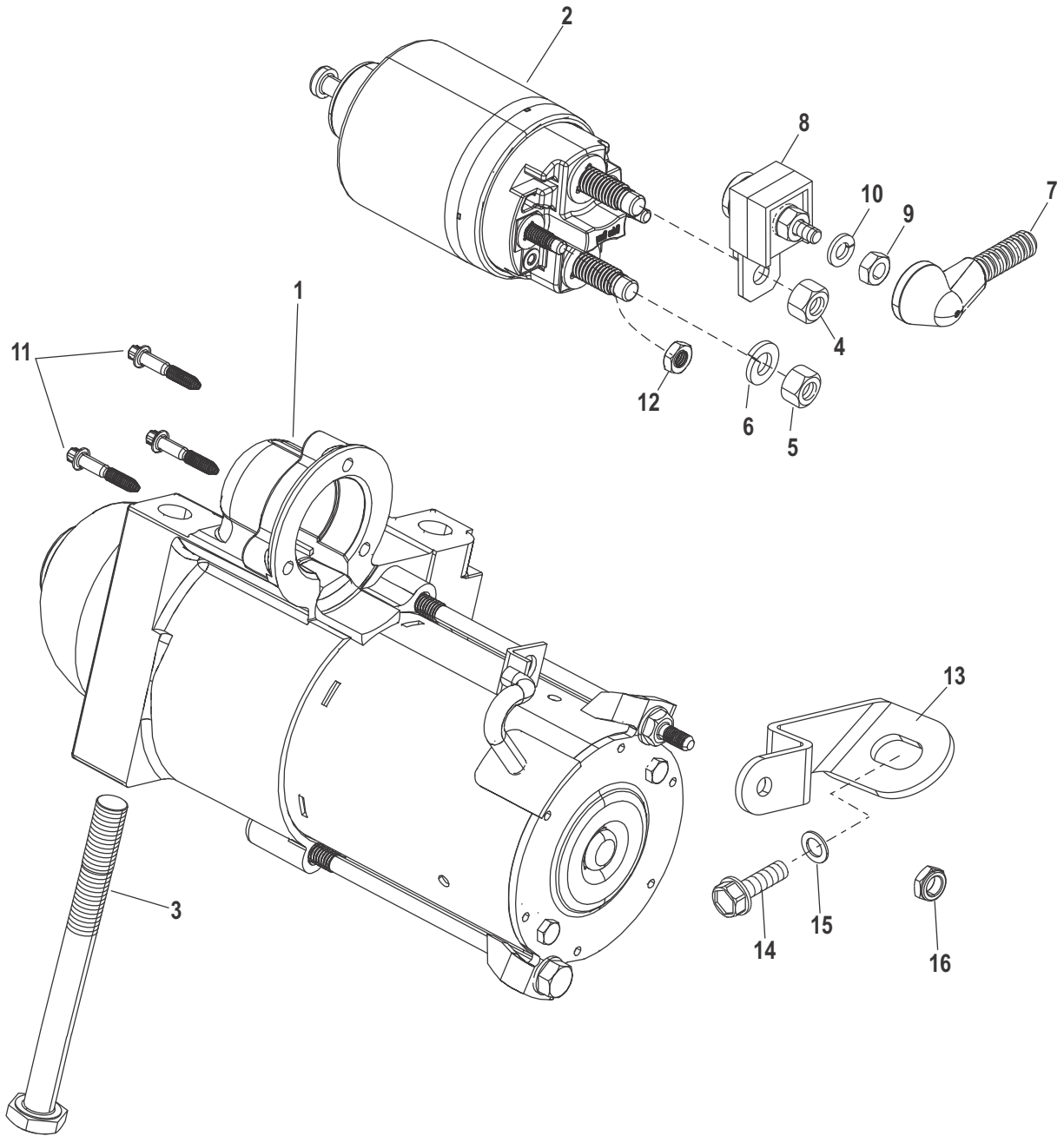
- [1] - Alternate part numbers:
 866340K01MPP
 866340Q02Service Part
 866340Q03QS
- [2] - Alternate part numbers:
 11004A 1Service Part
 803897K 1MPP
 803897Q 1QS
 8M0046751MPP
 8M0046752QS
- [3] - Alternate part numbers:
 53336Service Part
 53336BKBulk Pack
 53336QQS
 53336TMPP
- [4] - Alternate part numbers:
 807252Q 5QS Kit
 807252T 5MPP Kit
 8M0109441Service Part

Cat.# 90-804862003

Maintenance Kits

- [5] - Alternate part numbers:
33179 2Service Part
33179Q02QS

Starter Motor



11482

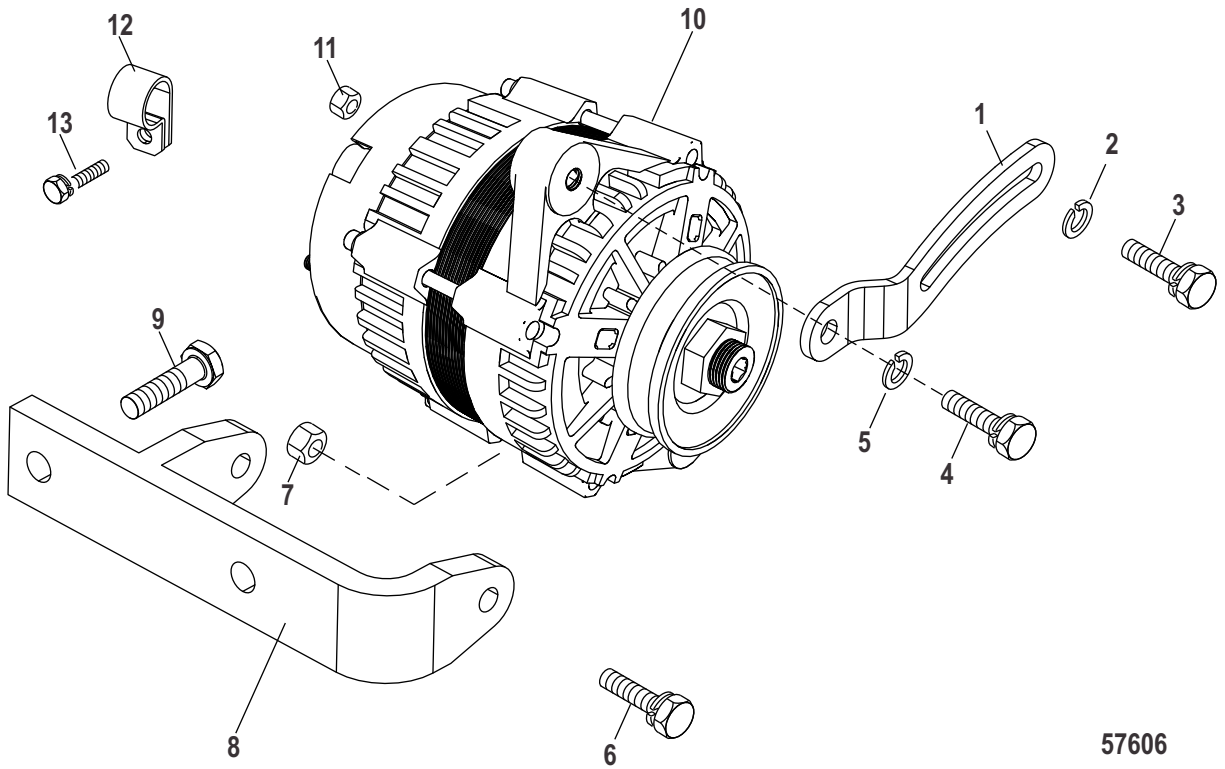
Starter Motor

Ref #	Part Class	Part Number	Description	Comments	Qty	Note
1	0050	863007A1	STARTER MOTOR ASSEMBLY		1	[1]
2	0000	809463A1	SOLENOID KIT Starter		1	
3	0010	8053432	SCREW (.375-16 x 4.33)		2	
4	0011	806949	NUT (M8-1.5)		1	
5	0011	806949	NUT (M8-1.5)		1	
6	0013	26996	LOCKWASHER (#10) Stainless Steel		1	
7	0085	79695	BOOT Insulator - Black		1	
8	0088	79023A91	FUSE ASSEMBLY 90 Ampere		1	
9	0011	8267119	NUT (.250-28)		1	
10	0013	400247	LOCKWASHER (M8)		1	
11		NA	NOT AVAILABLE		1	
12	0011	400211	NUT (M5) Stainless Steel		2	
13	0000	863212	BRACKET		1	
14	0010	824941	SCREW (.312-18 x .750)		1	
15	0012	46132	WASHER		1	
16	0011	21806	NUT (#10-24)		1	

PART NOTES:

- [1] - Alternate part numbers:
863007A 1QS
863007R01Reman

Alternator and Brackets

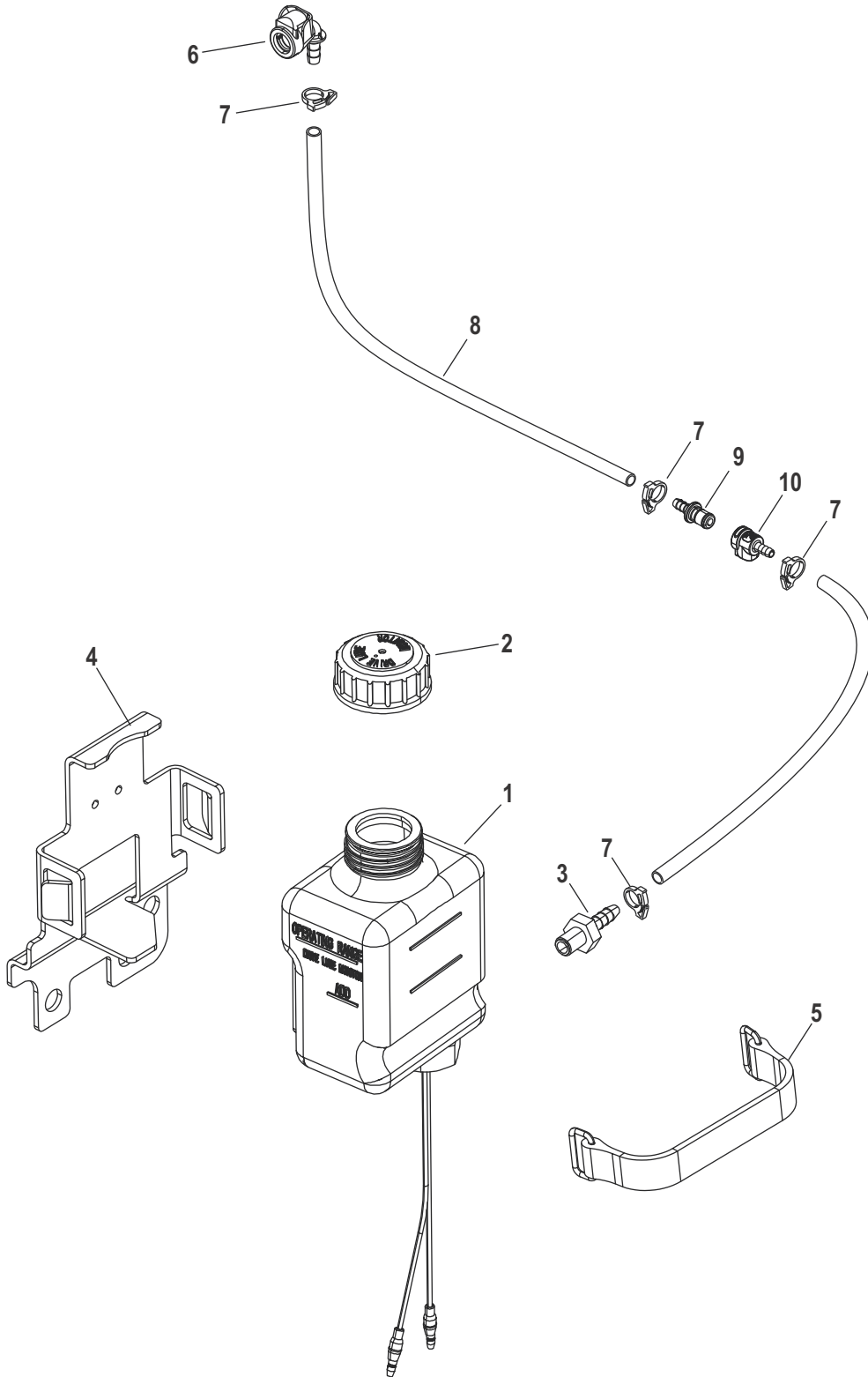


57606

Alternator and Brackets

Ref #	Part Class	Part Number	Description	Comments	Qty	Note
1	0000	58333	BRACE Alternator Adjusting		1	
2	0010	40001134	SCREW (M8 x 25)		1	
3	0012	26168	WASHER		1	
4	0010	98261	SCREW (.375-16 x .750)		1	
5	0012	20553	WASHER (.406 x .734 x .063)		1	
6	0010	828213	SCREW (.312-18 x 1.500) Hex Flange		2	
7	0011	859119	NUT (.312-18)		2	
8	0000	861734	BRACKET Alternator		1	
9	0010	865982005	SCREW (.375-16 x 1.00)		2	
10	0000	862030T01	ALTERNATOR ASSEMBLY		1	
11	0011	400212	NUT (M6) Stainless Steel		2	
12	0054	78945	J CLAMP Harness Support		1	
13	0010	98261	SCREW (.375-16 x .750)		1	

Gear Lube Monitor



12239

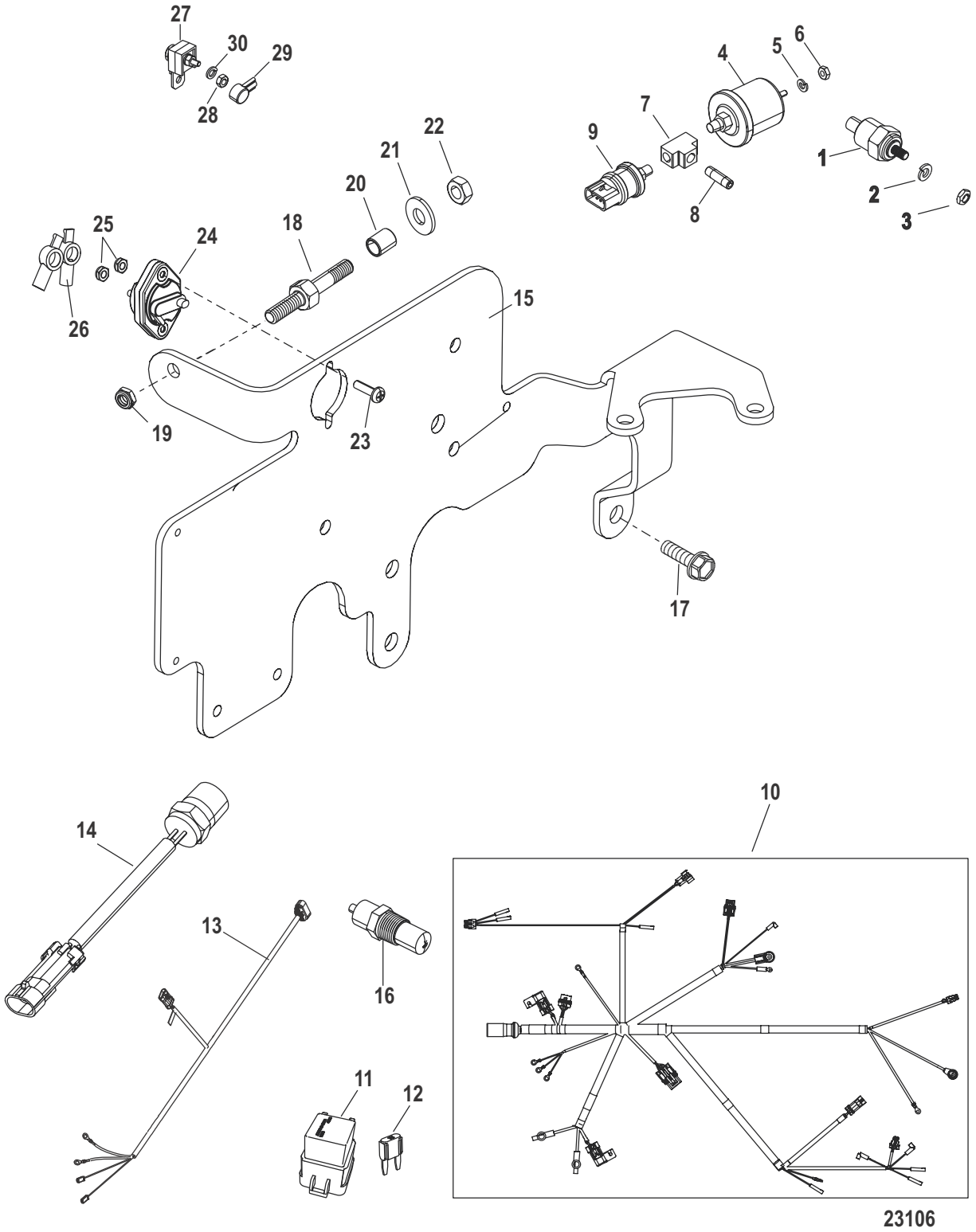
Cat.# 90-804862003

Gear Lube Monitor

Ref #	Part Class	Part Number	Description	Comments	Qty	Note
1	0000	806193A51	MONITOR ASSEMBLY Drive Lube		1	
2	0036	8067271	CAP Drive Lube Monitor		1	
3	0022	808624	CONNECTOR		1	
4	0000	860065A1	BRACKET KIT Oil Bottle		1	
5	0000	808023T	STRAP Bracket		1	
6	0022	861163	QUICK CONNECTOR (90 Degree)		1	
7	0054	415825	CLAMP Nylon		3	
8	0032	1940971	HOSE (54.00 Inches Bulk)	(Cut to 9.50 Inch or 31.00 Inch Length)	2	
9	0022	865191	FITTING Male		1	
10	0022	865379	FITTING Female		1	

Gear Lube Monitor

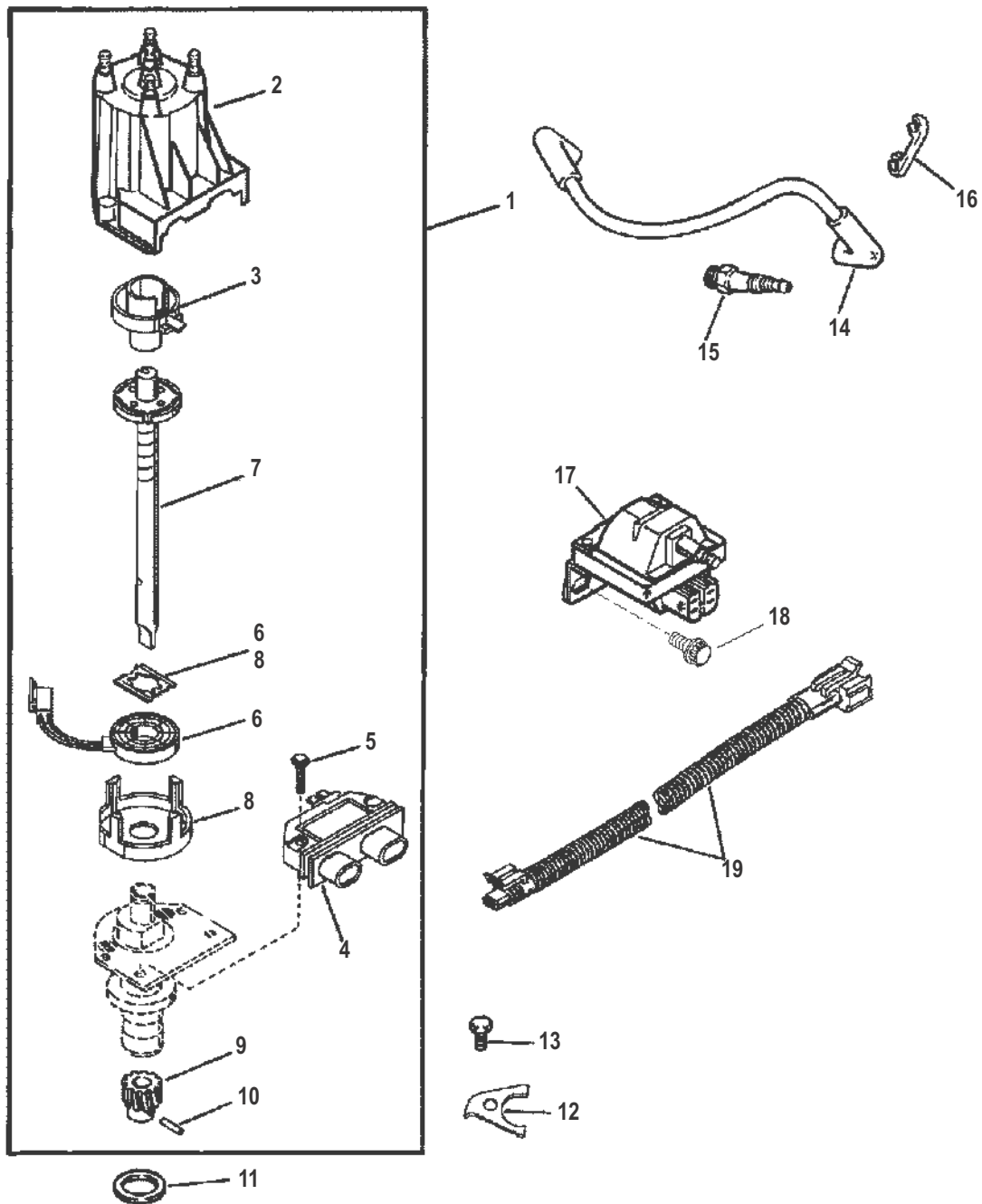
Electrical Components



Electrical Components

Ref #	Part Class	Part Number	Description	Comments	Qty	Note
1	0000	806490T	SENDER Water Temperature		1	
1	0000	49734	SENDER Water Temperature	(Dual)	OPT	
2	0013	26996	LOCKWASHER (#10) Stainless Steel		1	
3	0011	68219	NUT (#10-32) Stainless Steel		1	
4	0000	815425T	SENDER ASSEMBLY Oil Pressure		1	
4	0000	37293T	SENDER ASSEMBLY Oil Pressure	(Dual)	OPT	
5	0013	26996	LOCKWASHER (#10) Stainless Steel		1	
6	0011	68219	NUT (#10-32) Stainless Steel		1	
7	0022	52930	FITTING		1	
8	0022	38992	FITTING		1	
9	0087	865934	Pressure Switch (SPDT)		1	
10	0084	865931T02	HARNESS ASSEMBLY Engine		1	
11	0000	882751	RELAY		1	
12	0088	83296915	FUSE Mini - Blue - 15 Ampere		1	
12	0088	83296915	FUSE Mini - Blue - 15 Ampere		1	
13	0084	866727T01	HARNESS ASSEMBLY Transom		1	
14	0087	866115	Temperature Switch (Normally Open 130-110 degrees) Turn Key Start		2	
15	0000	899719T	BRACKET Electrical Mounting		1	
16	0000	48952	SWITCH ASSEMBLY		1	
17	0010	98794	SCREW (.375-16 x 1.00)		3	
18	0016	96112	STUD (.250-28 x 2.00) Throttle Cable Anchor		1	
19	0011	8267089	NUT (.250-28)		1	
20	0023	31866	SPACER (.256 x .313 x .625)		1	
21	0012	20533	WASHER		1	
22	0011	8267139	NUT (.250-28) Lock		1	
23	0010	830861	SCREW (#8-32 x .625)	[2A053406] & Below	2	
23	0010	45862	SCREW (#10-32 x .875)	[2A053407] & Up	2	
24	0088	865827T	BREAKER Circuit - 50 Ampere Flag Reset	[2A053406] & Below	1	
24	0088	11178A01	BREAKER Circuit - 50 Ampere Button reset	[2A053407] & Up	1	
25	0011	826709106	NUT (#10-32) Stainless Steel	[2A053406] & Below	2	
25	0011	68219	NUT (#10-32) Stainless Steel	[2A053407] & Up	2	
26	0085	89919	BOOT Insulator - Black		2	
27	0088	79023A90	FUSE ASSEMBLY 90 Ampere		1	
28	0011	21825	NUT (.250-28)		1	
29	0085	79695	BOOT Insulator - Black		1	
30	0013	400247	LOCKWASHER (M8)		1	

Distributor and Ignition Components



8164

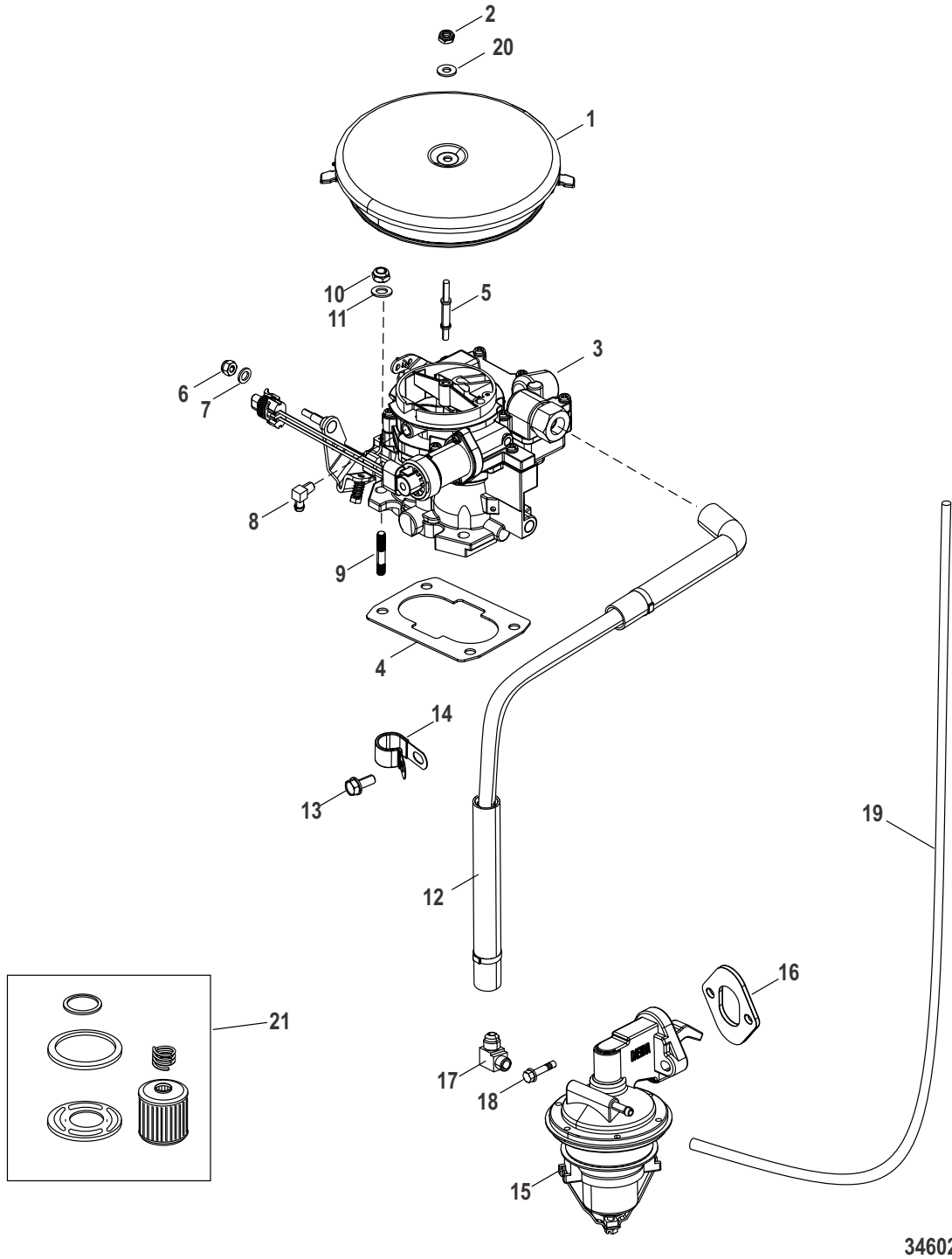
Distributor and Ignition Components

Ref #	Part Class	Part Number	Description	Comments	Qty	Note
1	0000	817377	DISTRIBUTOR		1	
2	0000	811635T3	CAP Distributor		1	[1]
3	0000	898253011	ROTOR		1	[2]
4	0000	811637001	MODULE		1	
5	0010	811638	SCREW		2	
6	0000	811639T	COIL		1	
7	0000	811640T	SHAFT ASSEMBLY Main		1	
8	0000	811641	POLE PIECE		1	
9	0043	811642	GEAR		1	
10	0017	33649	PIN Drive		1	
11	0027	87707	GASKET		1	[3]
12	0000	72624	CLAMP		1	
13	0010	11976	SCREW (.375-16 x 1.00)		1	
14	0084	816761Q14	CABLE KIT Ignition and Coil Wires		1	[4]
15	0033	816336	SPARK PLUG		4	
16	0000	54676	RETAINER Two Wire		1	
17	0000	898253T27	COIL Ignition		1	
18	0010	805189	SCREW (.375-16 x .750)		2	
19	0084	817376T01	HARNESS ASSEMBLY Distributor Module to Ignition Coil		1	
-	0027	810846A05	GASKET SET Overhaul		1	
-	0000	864626A01	MARINE LONG BLOCK ENGINE		1	[5]

PART NOTES:

- [1] - Alternate part numbers:
811635K 2MPP Kit
811635Q 2QS Kit
811635T 3Service Part
- [2] - Alternate part numbers:
811635K 2MPP Kit
811635Q 2QS Kit
898253011Service Part
- [3] - Component of Engine Gasket set 810846A05
Component of Cylinder Block Assembly 864626A01
- [4] - Alternate part numbers:
816761A14Service Part
816761K14MPP
816761Q14QS
- [5] - Alternate part numbers:
864626A01QS
864626A02QS
8M0128770QS

Fuel Supply System



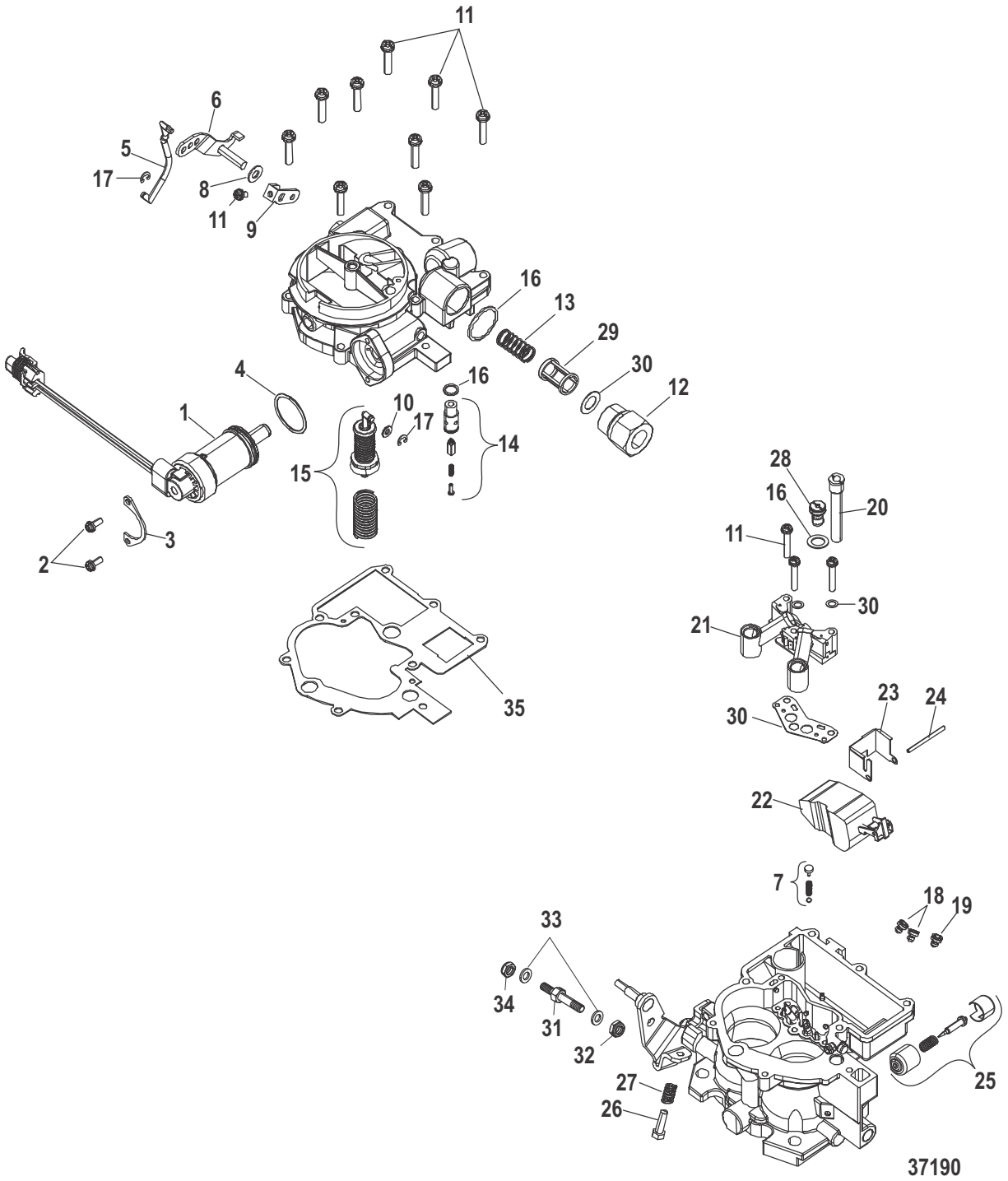
Fuel Supply System

Ref #	Part Class	Part Number	Description	Comments	Qty	Note
1	0000	863200	FLAME ARRESTOR With Molded Hose Retainer		1	
2	0011	8267139	NUT (.250-28)		1	
3	3310	866140A02	CARBURETOR		1	
4	0027	866027	GASKET		1	[1]
5	0016	805295	STUD (.250-20/.250-28 x Special)		1	
6	0011	8267086	NUT (#10-32)		1	
7	0012	56681	WASHER (.203 x .500 x .032)		1	
8	0022	54090	ELBOW (90 Degree)		1	
9	0016	70236	STUD (.312 x 1.500)		3	
9	0016	65868	STUD (.312-18/.312-24 x 2.120)		1	
10	0011	862902	NUT (.312-24)		4	
11	0012	20084	WASHER (.328 x .562 x .062)		4	
12	0032	861304A01	FUEL LINE ASSEMBLY Fuel	[1A080042] & Below	1	
12	0032	8M0045357	FUEL LINE ASSEMBLY Fuel	[1A080043] & Up	1	
13	0010	41508	SCREW (.250-20 x .500) Stainless Steel		1	
14	0054	866029	CLAMP		1	
15	0000	861676A1	PUMP Fuel		1	
16	0027	431861	GASKET		1	[1]
17	0022	43276	ELBOW (90 Degree) (90 Degree)		1	
18	0010	808010	SCREW (.312-18 x 1.375)		2	
19	0016	65868	STUD (.312-18/.312-24 x 2.120)		1	
20	0032	7381567	TUBING (42.00 Inches Bulk) Vent	(Cut to 30 Inch Length)	1	
21	0012	86400	WASHER		1	
22	0035	803897K1	FILTER KIT Mercury Branded Package		1	[2]
22	0035	803897Q1	FILTER KIT Quicksilver Branded Package		1	[2]
-	0027	810846A05	GASKET SET Overhaul		1	
-	0000	864626A01	MARINE LONG BLOCK ENGINE		1	[3]

PART NOTES:

- [1] - Component of Engine Gasket set 810846A05
Component of Cylinder Block Assembly 864626A01
- [2] - Alternate part numbers:
11004A 1Service Part
803897K 1MPP
803897Q 1QS
8M0046751MPP
8M0046752QS
- [3] - Alternate part numbers:
864626A01QS
864626A02QS
8M0128770QS

Carburetor



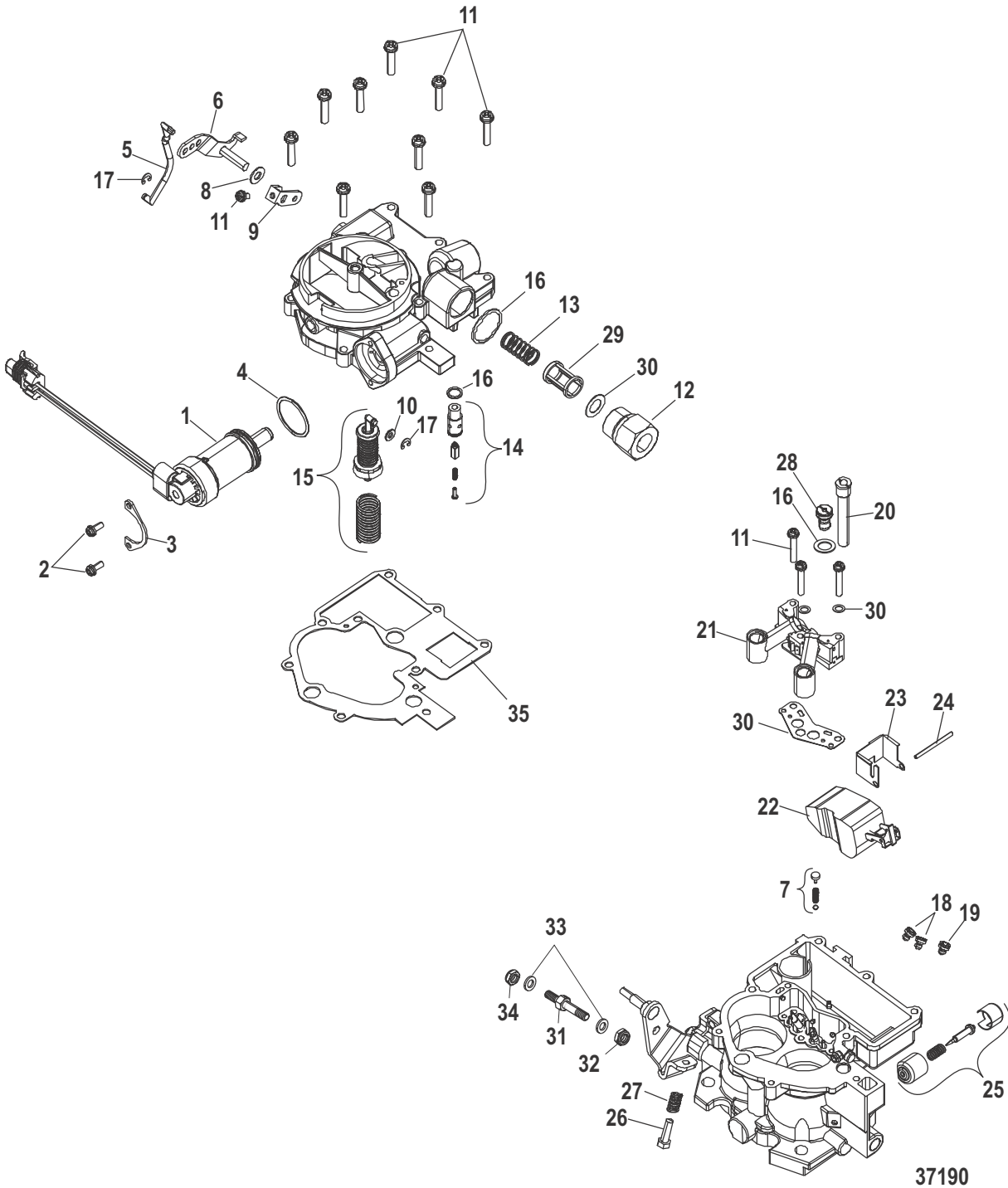
Carburetor

Ref #	Part Class	Part Number	Description	Comments	Qty	Note
-	3310	866140A02	CARBURETOR		1	
1	3310	866148	MODULE Enrichment		1	
2	0010	866288	SCREW		2	
3	3310	866289	RETAINER		1	
4	0025	898836	O-RING Brown		1	
5	3302	8109201	ROD		1	
6	3302	8237251	LEVER		1	
7	3302	809520	CHECK BALL KIT		1	
8	3302	810919	WASHER		2	
9	3302	810916	ARM		1	
10	3302	810919	WASHER		1	
11	3310	866294	SCREW KIT		1	
12	3302	879194018	CONNECTOR		1	
13	3302	9032	SPRING		1	
14	3302	804689	SEAT KIT Inlet		1	
15	3302	96551	PUMP KIT Accelerator		1	[1]
16	3302	90441	PACKING SET		1	
17	3302	808675	CLIP Spring		2	
18	3302	898298	JET Main Use With Carburetor Casting 866140001		2	
19	3310	866292	JET Enrichment		1	
20	3310	866293	EMULSION TUBE		1	
21	3302	850423001	VENTURI Use With Carburetor Casting 866140001		1	
22	3302	9031	FLOAT		1	
23	3302	803854	PLATE Baffle		1	
24	3302	90301	PIN		1	
25	3310	866285A01	SCREW KIT Idle Mixture		1	
26	3302	9060	SCREW		1	
27	3302	9054	SPRING		1	
28	3302	850424	JET Power		1	
29	0035	53336Q	STRAINER		1	[2]
30	3310	810929003	GASKET SET Carburetor		1	
31	0016	96112	STUD (.250-28 x 2.00)		1	
32	0011	8267089	NUT (.250-28)		1	
33	0012	29245	WASHER (.281 x .500 x .060) Stainless Steel		2	
34	0011	8267139	NUT (.250-28)		1	
35	3310	866146001	GASKET		1	

PART NOTES:

- [1] - Alternate part numbers:
804844002Kit
9655 1Service Part

Carburetor

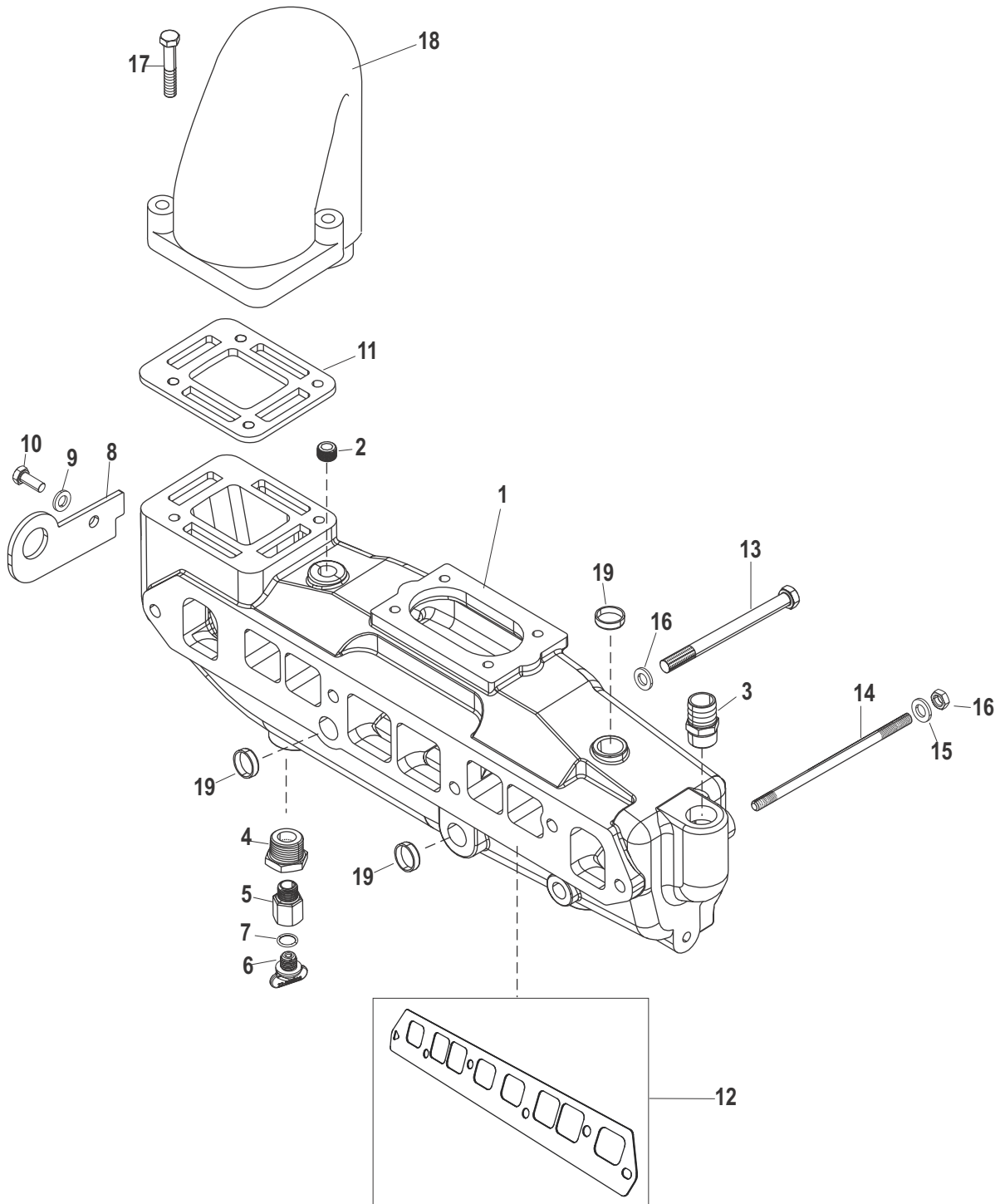


Cat.# 90-804862003

Carburetor

- [2] - Alternate part numbers:
- 53336Service Part
 - 53336BKBulk Pack
 - 53336QQS
 - 53336TMPP

Intake / Exhaust Manifold



54451

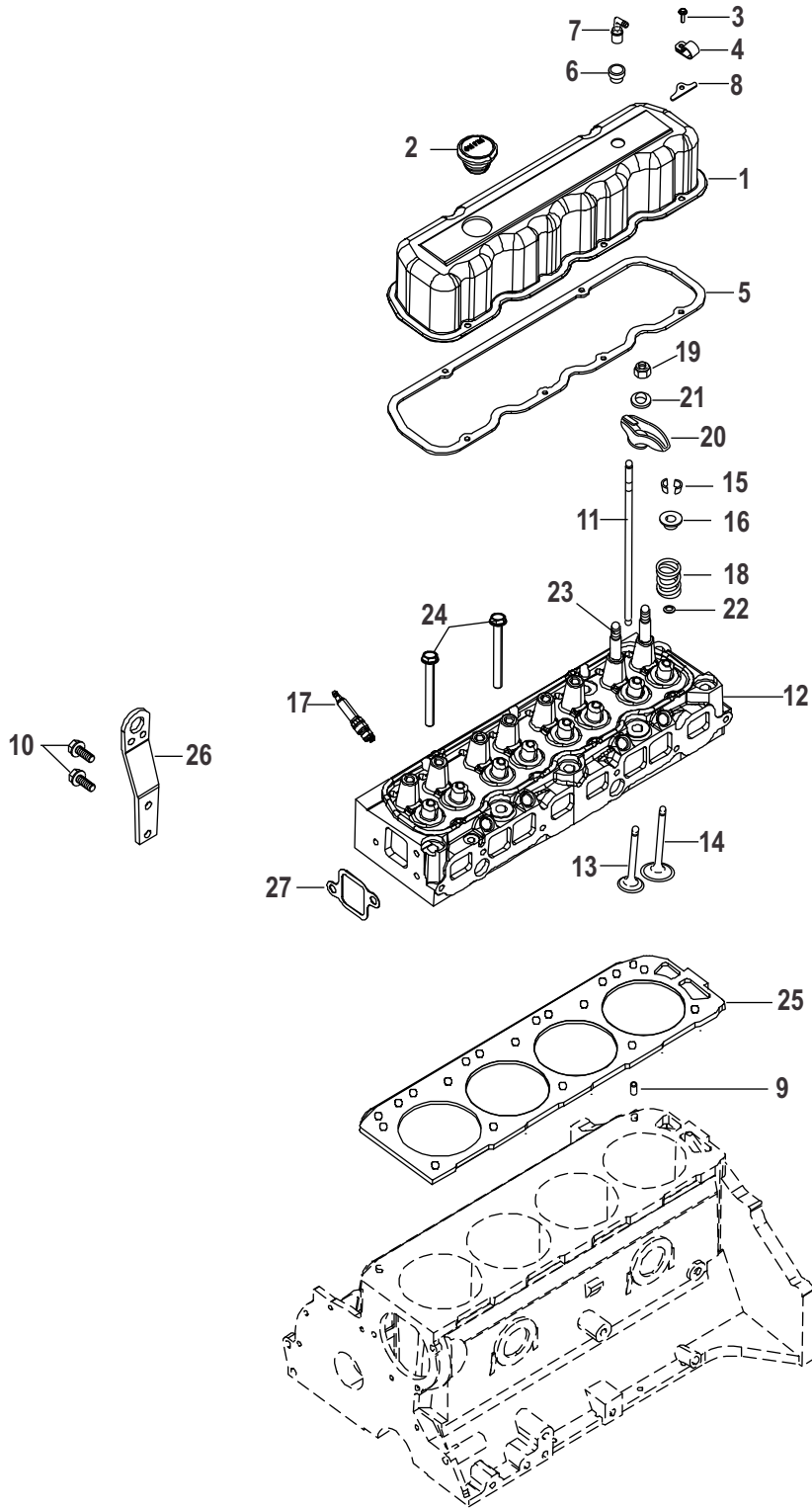
Intake / Exhaust Manifold

Ref #	Part Class	Part Number	Description	Comments	Qty	Note
1	0000	860235A03	MANIFOLD ASSEMBLY Exhaust		1	
2	0022	32803	PLUG Pipe (.375-18) Brass		1	
3	0022	866725	FITTING Straight (.750-14) Hose		1	
4	0022	845175	BUSHING Reducer (.750 / .375)		1	
5	0022	862557	BUSHING (.500-13 x .375)		1	
6	0022	806608A1	PLUG KIT (.500-13) Royal Blue		1	[1]
7	0025	62706	O-RING (.426 x .070)		1	
8	0000	865549	LIFTING EYE		1	
9	0012	20084	WASHER (.328 x .562 x .062)		1	
10	0010	98261	SCREW (.375-16 x .750)		1	
11	0027	997772	GASKET Elbow		1	[2]
12	0027	815528	GASKET Exhaust Manifold		1	[3]
13	0000	8M2000229	SCREW (.375-16 x 4.75)		2	
14	0016	806300	STUD (.375 x 5.380)		3	
15	0012	20553	WASHER (.406 x .734 x .063)		5	
16	0011	46335	NUT (.375-24)		3	
17	0010	668631	SCREW (.375-16 x 2.500)		2	
18	0000	12076A2	ELBOW ASSEMBLY Exhaust		1	
19	0019	864689	PLUG Expansion		1	

PART NOTES:

- [1] - Alternate part numbers:
806608A 1Service Part
806608Q01QS
- [2] - Alternate part numbers:
99777 2Service Part
99777Q02QS
Component of Engine Gasket set 810846A05
- [3] - Component of Engine Gasket set 810846A05
Component of Cylinder Block Assembly 864626A01

Cylinder Head and Rocker Cover



62233

Cylinder Head and Rocker Cover

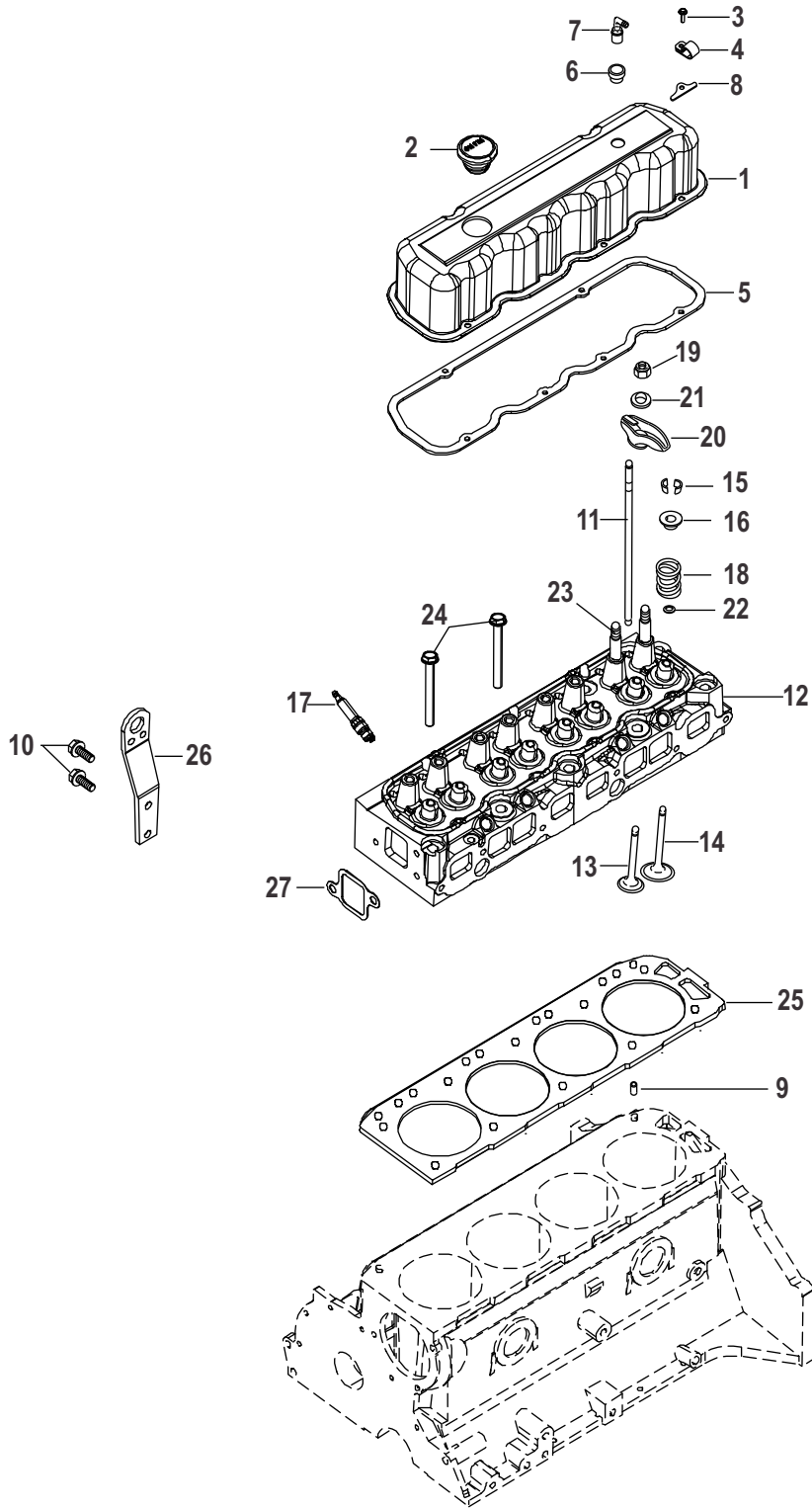
Ref #	Part Class	Part Number	Description	Comments	Qty	Note
1	0000	851036T	COVER Rocker		1	[1]
2	0036	807152	CAP Oil Fill		1	[1]
3	0010	35366	SCREW		5	[1]
4	0054	97224	J CLIP		3	
5	0027	851040	GASKET		1	[2]
6	0025	52188	GROMMET		1	[1]
7	0000	97850	ELBOW 90 Degree Breather		1	[1]
8	0000	49174	REINFORCEMENT Valve Cover		5	[1]
9	0017	35465	PIN Dowel (.312)		2	[1]
10	0010	54528	SCREW		2	[1]
11	0000	34532	PUSH ROD		8	[1]
12	0936	810849	CYLINDER HEAD ASSEMBLY	(Basic)	1	[3]
13	0000	52367	VALVE Exhaust	(Standard)	4	[1]
13	0000	52368	VALVE Exhaust	(.015 Oversize)	AR	
14	0000	97661	VALVE Intake-Standard Intake	(Standard)	4	[1]
14	0000	97662	VALVE Intake	(.015 Oversize)	AR	
15	0028	547971	KEY		16	[1]
16	0000	FI1100604	CAP Intake Valve		4	[1]
16	0000	11965	ROTATOR Exhaust Valve		4	[1]
17	0033	816336	SPARK PLUG		4	
18	0024	8M0173510	SPRING Valve		8	[1]
19	0011	34516	NUT		8	[1]
20	0000	34519	ARM KIT Rocker		8	[1]
21	0000	59340	BALL Rocker Arm		8	[1]
22	0026	34217	SEAL		8	[4]
23	0016	34522	STUD	(.003 Oversize)	AR	[1]
23	0016	34521	STUD	(.013 Oversize)	AR	[1]
24	0010	34510	BOLT		10	[1]
25	0027	52364	GASKET		1	[2]
26	0000	67850	LIFTING EYE		1	
27	0027	8146801	GASKET		1	[2]
-	0027	810846A05	GASKET SET Overhaul		1	
-	0000	864626A01	MARINE LONG BLOCK ENGINE		1	[5]
-	0092	809825	RTV SILICONE (3 Ounce Tube) Metallic Blue		1	
-	0092	342271	SEALING COMPOUND (16 Ounce)		1	

PART NOTES:

- [1] - Component of Cylinder Block Assembly 864626A01
- [2] - Component of Engine Gasket set 810846A05
Component of Cylinder Block Assembly 864626A01
- [3] - Alternate part numbers:
810849QS
8M0115135Kit
Component of Cylinder Block Assembly 864626A01
- [4] - Component of Cylinder Block Assembly 864626A01
Component of Engine Gasket set 810846A05

Cylinder Head and Rocker Cover

Cylinder Head and Rocker Cover



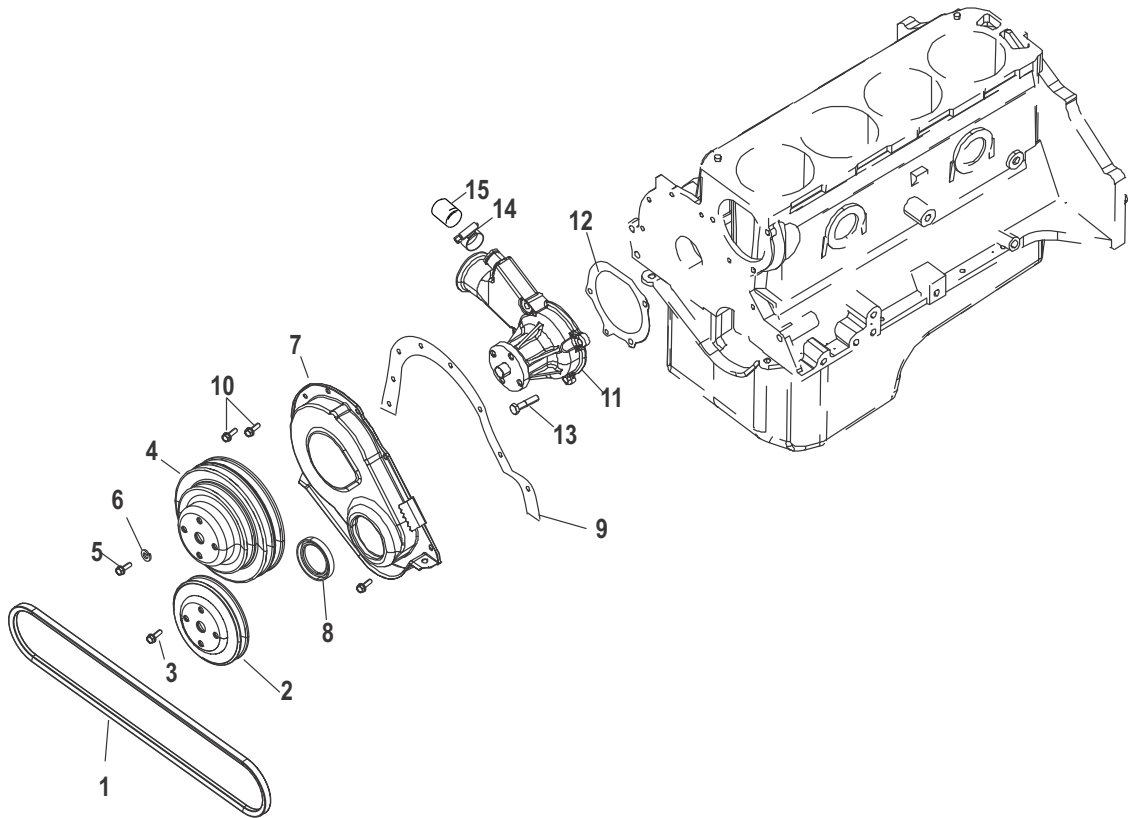
62233

Cat.# 90-804862003

Cylinder Head and Rocker Cover

- [5] - Alternate part numbers:
- 864626A01QS
 - 864626A02QS
 - 8M0128770QS

Cylinder Block Front Cover and Circulating Pump



29938

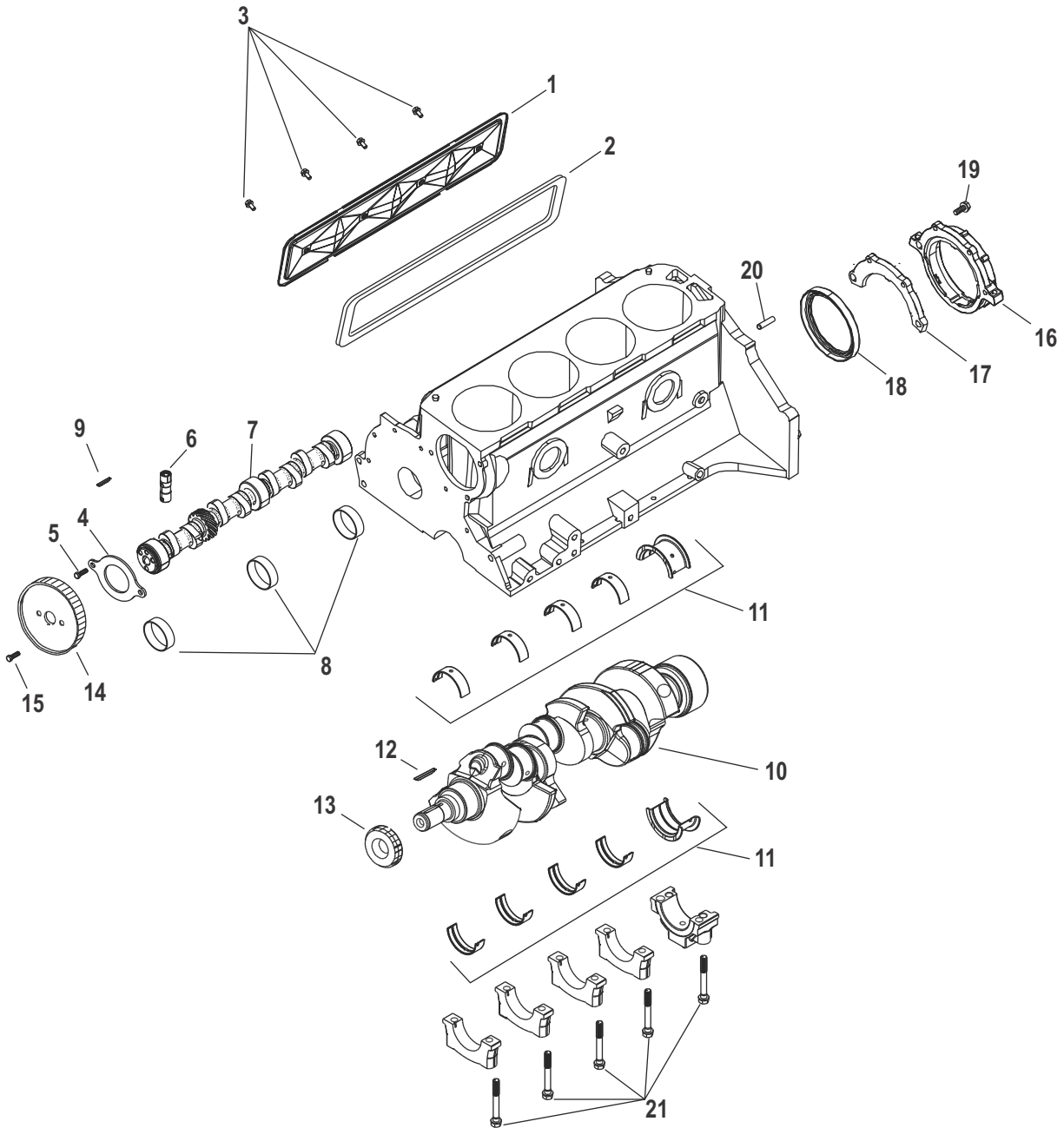
Cylinder Block Front Cover and Circulating Pump

Ref #	Part Class	Part Number	Description	Comments	Qty	Note
1	0057	862054Q	BELT		1	
2	0000	55045	BALANCER		1	
3	0010	845627	SCREW (.500-20 x 2.500)		1	
4	0000	73483T	PULLEY		1	
5	0010	47277	SCREW (.312-24 x .750)		4	
6	0013	39107	LOCKWASHER (.312-24)		4	
7	0000	59341A1	COVER ASSEMBLY		1	[1]
8	0026	97335	SEAL		1	[2]
9	0027	49953	GASKET		1	[2]
10	0010	35366	SCREW		8	[1]
11	0000	884727001	PUMP ASSEMBLY		1	
12	0027	810848	GASKET		1	[2]
13	0010	34471	SCREW (.312-18 x 1.500)		2	
13	0010	34505	SCREW (.312-18 x .875)		2	
14	0054	815504212	CLAMP Worm Gear		1	
15	0019	899871001	CAP Rubber		1	
-	0027	810846A05	GASKET SET Overhaul		1	
-	0000	864626A01	MARINE LONG BLOCK ENGINE		1	[3]
-	0092	809825	RTV SILICONE (3 Ounce Tube) Metallic Blue		1	
-	0092	342271	SEALING COMPOUND (16 Ounce)		1	

PART NOTES:

- [1] - Component of Cylinder Block Assembly 864626A01
- [2] - Component of Engine Gasket set 810846A05
Component of Cylinder Block Assembly 864626A01
- [3] - Alternate part numbers:
864626A01QS
864626A02QS
8M0128770QS

Cylinder Block Crankshaft and Camshaft



11910

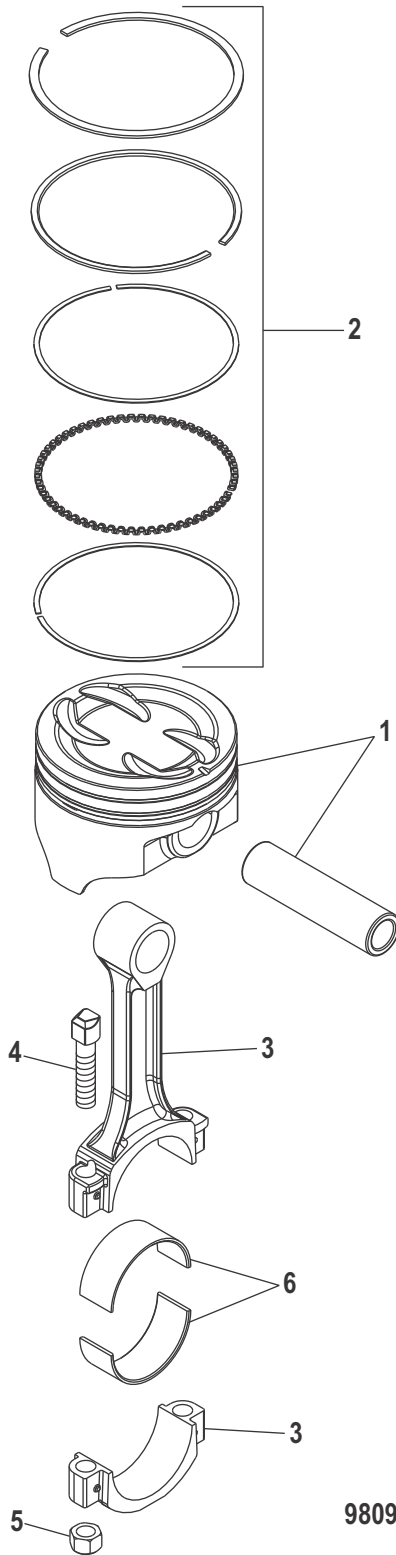
Cylinder Block Crankshaft and Camshaft

Ref #	Part Class	Part Number	Description	Comments	Qty	Note
1	0000	814702	COVER		1	[1]
2	0027	814703	GASKET		1	[2]
3	0010	34470	SCREW With Sealing Washer		4	[1]
4	0023	34469	BEARING		1	[1]
5	0010	72607	SCREW (.250-20 x .375)		2	[1]
6	0000	72638	LIFTER		8	[1]
7	0424	3864	CAMSHAFT		1	[1]
8	0023	43293T	BEARING SET Camshaft		1	[1]
9	0028	34466	KEY		1	[1]
10	0423	804957T01	CRANKSHAFT		1	[1]
11	0023	818469001	BEARING SET	(Standard)	1	[1]
11	0023	818470	BEARING SET	(.001 USA)	AR	
11	0023	818471	BEARING SET	(.010 USA)	AR	
11	0023	818472	BEARING SET	(.020 USA)	AR	
12	0028	34466	KEY		2	[1]
13	0043	46743	TIMING GEAR		1	[1]
14	0043	46745	GEAR		1	[1]
15	0010	35366	SCREW		2	[1]
16	0000	14239	RETAINER Oil Seal		1	[1]
17	0027	881715	GASKET		1	[2]
18	0026	14240	SEAL Oil		1	[2]
19	0010	810844	BOLT		2	[1]
20	0017	14263	PIN Dowel		1	[1]
21		NSS	NOT SOLD SEPARATE Bolt		10	
-	0000	864626A01	MARINE LONG BLOCK ENGINE		1	[3]
-	0092	809825	RTV SILICONE (3 Ounce Tube) Metallic Blue		1	
-	0092	342271	SEALING COMPOUND (16 Ounce)		1	

PART NOTES:

- [1] - Component of Cylinder Block Assembly 864626A01
- [2] - Component of Engine Gasket set 810846A05
Component of Cylinder Block Assembly 864626A01
- [3] - Alternate part numbers:
864626A01QS
864626A02QS
8M0128770QS

Piston and Connecting Rods



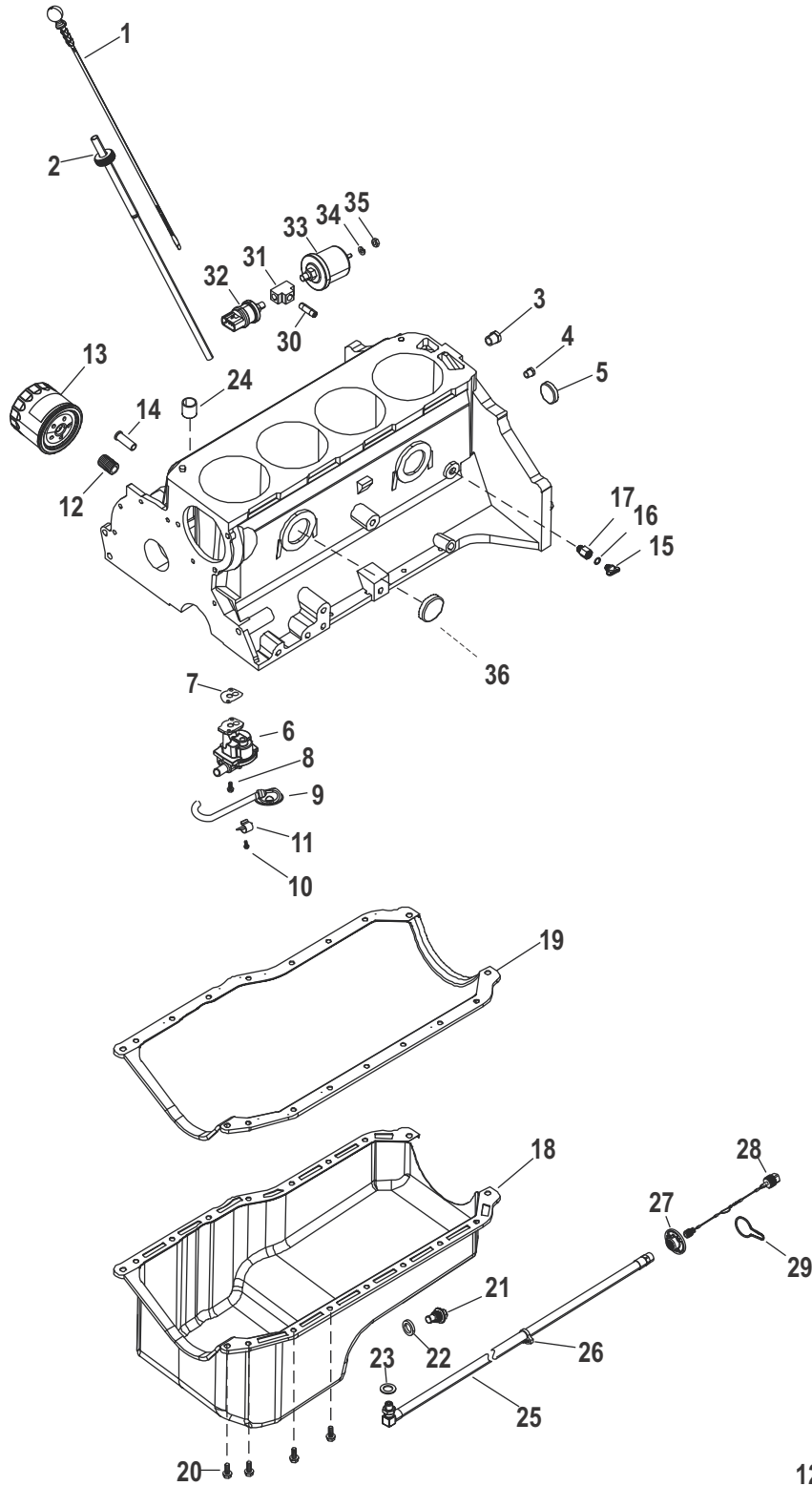
Piston and Connecting Rods

Ref #	Part Class	Part Number	Description	Comments	Qty	Note
1	0733	810852	PISTON ASSEMBLY	Standard	4	[1]
1	0733	810853T	PISTON ASSEMBLY	(.020) Oversize	AR	
2	0039	17464	RING SET Piston (Standard)	Standard	4	[1]
2	0039	66217	RING Piston	(.020) Oversize	AR	
3	0614	8164T	CONNECTING ROD ASSEMBLY		4	[1]
4	0010	85802	SCREW (.375-24 x Special)		8	[1]
5	0011	37493	NUT (.375-24)		8	[1]
6	0023	804982	BEARING SET	Standard	4	[1]
6	0023	804982001	BEARING SET	(.001) Oversize	AR	

PART NOTES:

[1] - Component of Cylinder Block Assembly 864626A01

Oil Pan and Oil Pump

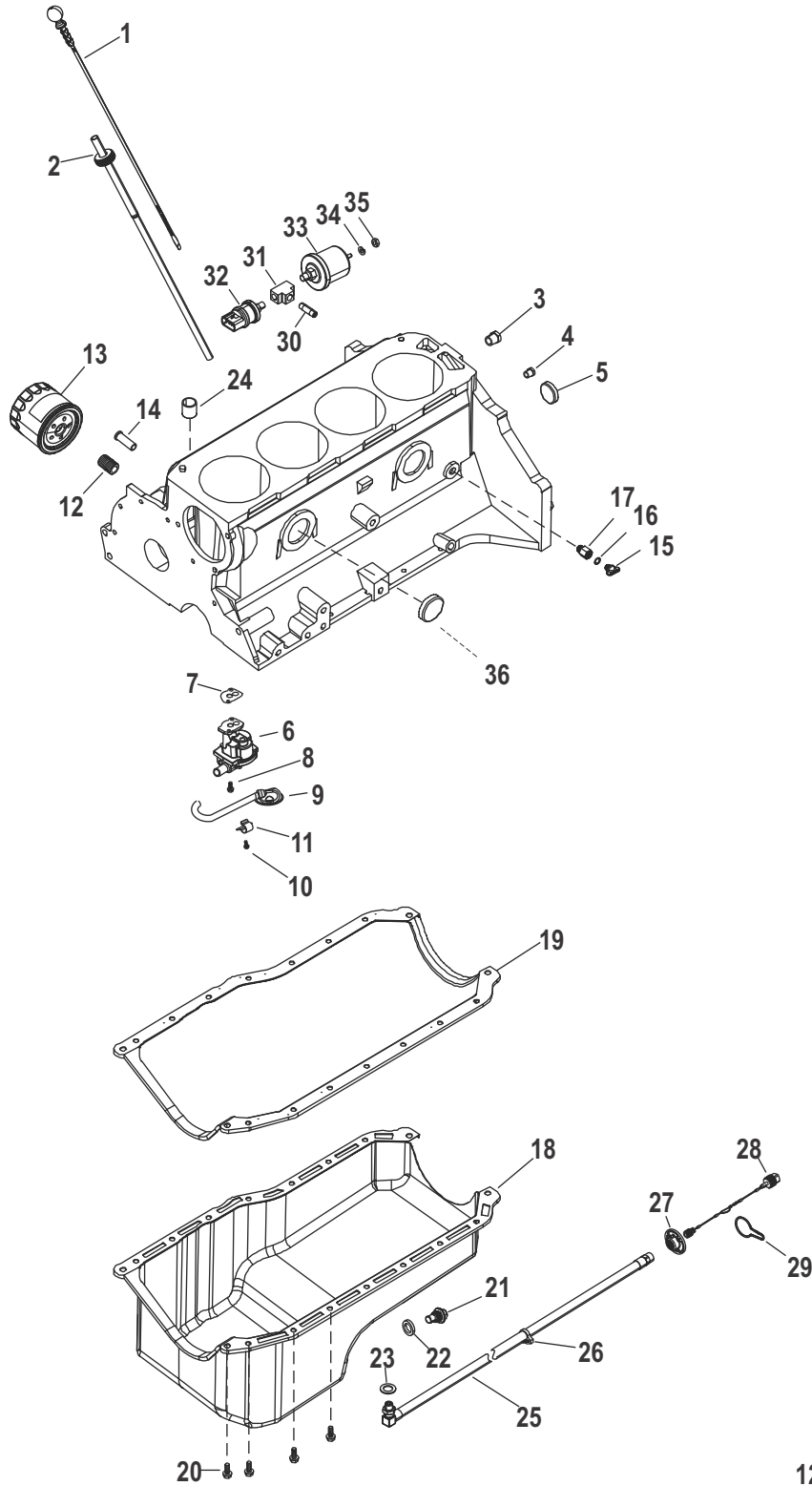


12107

Oil Pan and Oil Pump

Ref #	Part Class	Part Number	Description	Comments	Qty	Note
1	0000	861942T1	GAUGE Dipstick	(Knob Handle)	1	[1]
2	0000	87717A2	TUBE Dipstick		1	[1]
3	0019	34487	PLUG (.375-18 x .42)		2	[1]
4	0019	37531	PLUG		1	[1]
5	0022	72640	PLUG		1	[1]
6	0000	36405	PUMP ASSEMBLY Oil		1	[1]
7		NSS	NOT SOLD SEPARATE Gasket		1	
8	0010	845942	SCREW (.312-18 x .750)		2	[1]
9	0000	52146	SCREEN Oil Pump Pickup		1	[1]
10	0010	35366	SCREW		1	[1]
11	0000	60717	SUPPORT Oil Pump		1	[1]
12	0022	805632	CONNECTOR	(Without Remote Oil)	1	[1]
13	0035	866340Q02	FILTER Oil - Quicksilver Brand		1	[2]
13	0035	866340K01	FILTER Oil - Mercury Brand		1	[2]
14	0000	34543	VALVE		1	[1]
15	0022	806608A1	PLUG KIT (.500-13) Royal Blue		1	[3]
16	0025	32509	O-RING (.489 x .070)		1	
17	0022	860088	BUSHING		1	
18	0000	810845T	PAN Oil		1	[1]
19	0027	810846T	GASKET SET		1	[4]
20	0010	34500	SCREW (.312-18 x .625)		2	[1]
20	0010	72607	SCREW (.250-20 x .375)		14	[1]
21	0010	49956	SCREW Drain		1	[1]
22	0027	49955	GASKET Drain		1	[4]
23	0027	49955	GASKET		1	[1]
24	0023	35168	BEARING		1	[1]
25	0032	865277	HOSE Oil Drain		1	
26	0054	863481	CLAMP		1	
27	0000	862777	FLANGE Drain		1	
28	0000	862827	TETHER ASSEMBLY Drain Plug		1	
29	0054	805524	CLIP		1	
30	0022	38992	FITTING		1	
31	0022	52930	FITTING		1	
32	0087	865934	Pressure Switch (SPDT)		1	
33	0000	815425T	SENDER ASSEMBLY		1	
34	0013	26996	LOCKWASHER (#10) Stainless Steel		1	
35	0011	68219	NUT (#10-32) Stainless Steel		1	
36	0019	34270	EXPANSION PLUG (1.625)		2	
-	0027	810846A05	GASKET SET Overhaul		1	
-	0000	864626A01	MARINE LONG BLOCK ENGINE		1	[5]
-	0092	809825	RTV SILICONE (3 Ounce Tube) Metallic Blue		1	
-	0092	342271	SEALING COMPOUND (16 Ounce)		1	

Oil Pan and Oil Pump



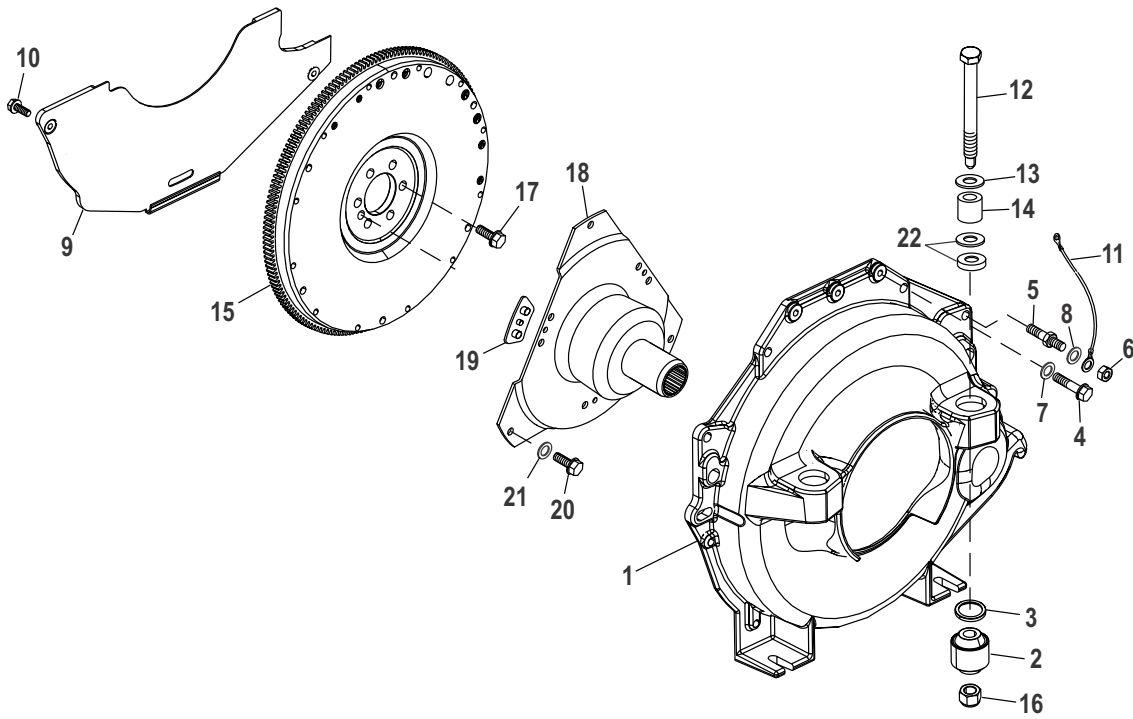
12107

Oil Pan and Oil Pump

PART NOTES:

- [1] - Component of Cylinder Block Assembly 864626A01
- [2] - Alternate part numbers:
 - 866340K01MPP
 - 866340Q02Service Part
 - 866340Q03QS
- [3] - Alternate part numbers:
 - 806608A 1Service Part
 - 806608Q01QS
- [4] - Component of Engine Gasket set 810846A05
Component of Cylinder Block Assembly 864626A01
- [5] - Alternate part numbers:
 - 864626A01QS
 - 864626A02QS
 - 8M0128770QS

Flywheel Housing



12215

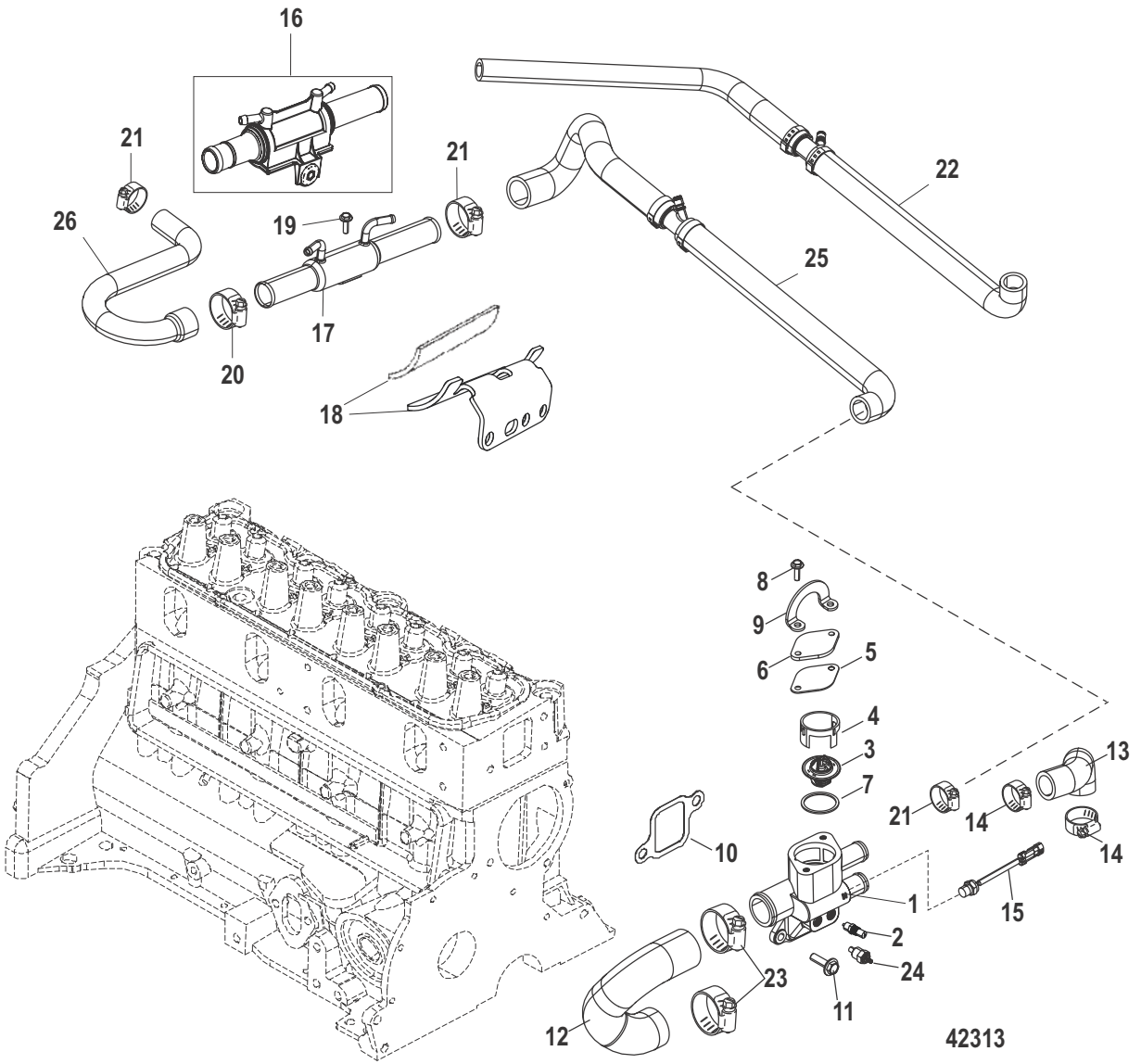
Flywheel Housing

Ref #	Part Class	Part Number	Description	Comments	Qty	Note
1	0000	865657A03	HOUSING ASSEMBLY Flywheel		1	
2	0000	865329A02	MOUNT KIT Rubber		1	
3	0023	99322	SPACER		2	
4	0010	37612	SCREW (.375-16 x 1.250)	[1A348956] & Below	4	
4	0010	68101	SCREW (.375-16 x 1.375)	[1A348957] & Up	4	
4	0010	32132	SCREW (.375-16 x 1.750)		1	
4	0010	358701	SCREW (.375-16 x 2.00)		1	
5	0016	64066	STUD (.375-16 x 2.750) Special		2	
6	0011	32219	NUT (.375-16)		2	
7	0013	35048	LOCKWASHER (.375)		6	
8	0012	20572	WASHER (.390 x .750 x .093)		1	
9	0000	807260A2	COVER KIT Flywheel		1	
NS	0011	807296	NUT (.250-20)		2	
10	0010	76596	SCREW (.250-20 x 1.250)		2	
11	0084	62826A6	CABLE ASSEMBLY Ground (13.00 Inches) Black		1	
12	0010	97934	SCREW (.500-20 x 5.370) Special		2	
13	0012	35777	WASHER (.5156 x 1.375 x .125) Aluminum		2	
14	0023	99299	SPACER (.520 x .870 x .630)		2	
15	0220	803936	FLYWHEEL (14 Inch)		1	[1]
16	0011	863332	NUT (.500-20) Aluminum		2	
17	0010	845757	SCREW (.437-20 x 1.00)		6	
18	0000	18643A5	COUPLING ASSEMBLY		1	
19	0000	18644	BUMPER Rubber		3	
20	0010	14883	SCREW (.375-16 x 1.12)		3	
21	0012	13510	WASHER		3	
22	0012	892619A01	SHIM KIT		1	

PART NOTES:

[1] - Component of Cylinder Block Assembly 864626A01

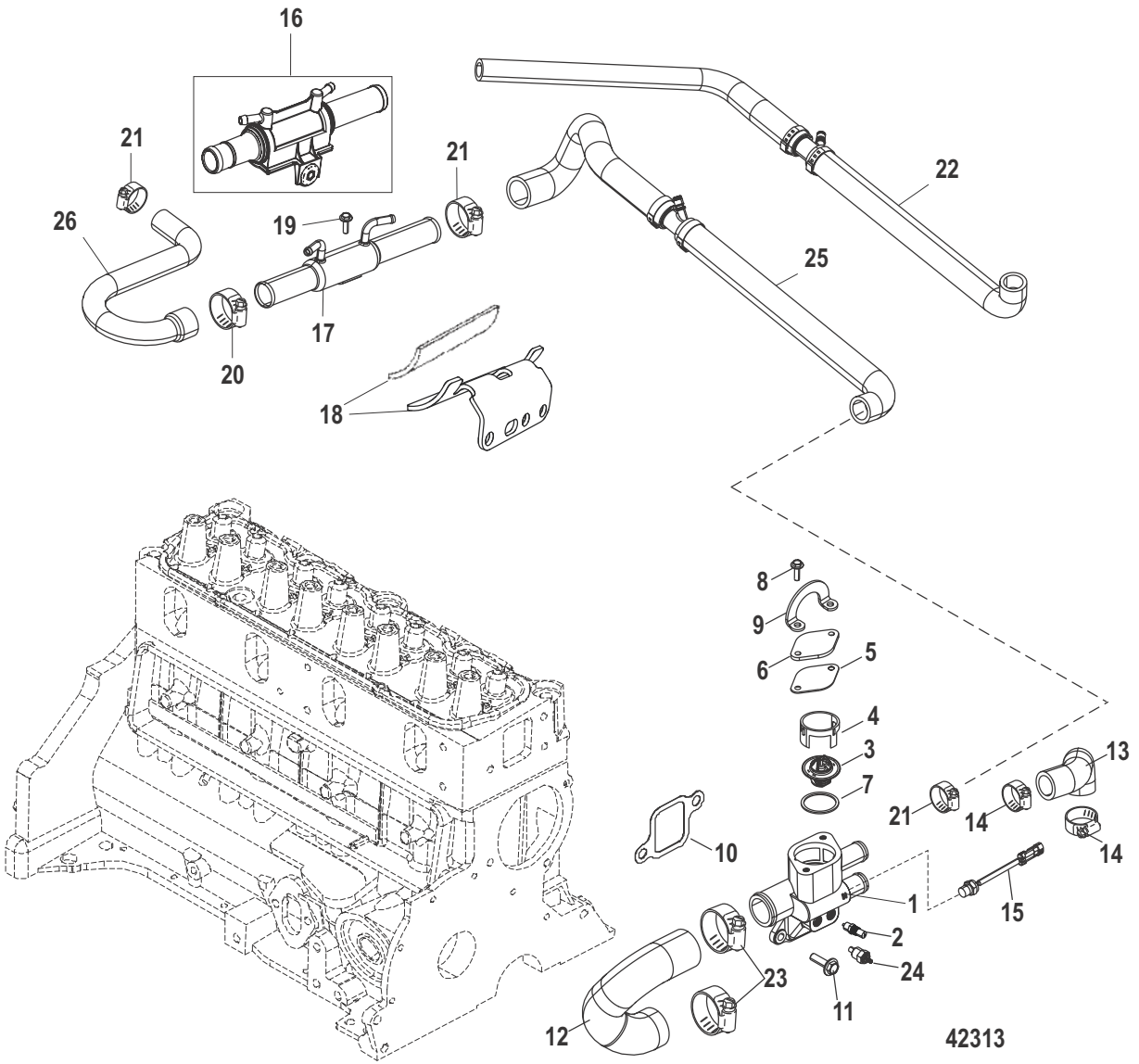
Standard Cooling System



Standard Cooling System

Ref #	Part Class	Part Number	Description	Comments	Qty	Note
1	0000	861493A06	HOUSING ASSEMBLY Thermostat		1	
2	0000	48952	SWITCH ASSEMBLY Audio Warning		1	
3	0000	807252T2	THERMOSTAT 71DegreeC (160 Degree F)		1	[1]
4	0023	806922	SLEEVE		1	
5	0027	331792	GASKET		1	[2]
6	0000	17494A1	COVER KIT		1	
7	0027	806871	GASKET		1	
8	0010	37612	SCREW (.375-16 x 1.250)		2	
9	0000	12552	LIFTING EYE		1	
10	0027	8146801	GASKET		1	[3]
11	0010	90059	SCREW (.375-16 x .875)	(Without Power Steering)	2	
11	0010	90059	SCREW (.375-16 x .875)	(With Power Steering)	1	
11	0010	90187	SCREW (.375-16 x 1.250)		1	
12	0032	96879	HOSE Housing to Water Pump		1	
13	0032	861634	HOSE Housing to Manifold	(4.00 Inch)	1	
14	0054	815504220	CLAMP Worm Gear (1.75 Inch Diameter)		1	
14	0054	815504216	CLAMP Worm Gear (1.56 Diameter) (1.56 Inch Diameter)		2	
15	0087	866115	Temperature Switch (Normally Open 130-110 degrees) TKS		1	
16	0000	861554T02	COOLER Power Steering	(Composite)	1	
17	0000	861554T01	COOLER Power Steering	(Metal)	1	
18	0000	805546A2	BRACKET Oil Cooler		1	
19	0010	816585	SCREW (.312-18 x .875) Cooler Mounting Bracket	Metal Cooler	1	
19	0010	8M2016106	SCREW (.312 x 1.25)	Composite Cooler (Included with 861554T02)	1	
20	0054	815504222	CLAMP Worm Gear (1.98 Diameter)	(With Power Steering)	1	
21	0054	815504212	CLAMP Worm Gear Hose - Diameter (1.31 Inch)	(With Power Steering)	1	
22	0032	862325	HOSE Transom to Thermostat Housing	(Without Power Steering)	1	
23	0054	815504232	CLAMP Worm Gear (2.50 Diameter) (2.50 Inch)		2	
24	0000	806490T	SENDER		1	
25	0032	862324	HOSE Power Steering Cooler to Thermostat Hsg.	(With Power Steering)	1	
26	0032	807661	HOSE Power Steering Cooler to Transom	(With Power Steering)	1	
-	0027	810846A05	GASKET SET Engine Overhaul		1	
NS	0019	8079923	COVER Hose Clamp End		AR	

Standard Cooling System

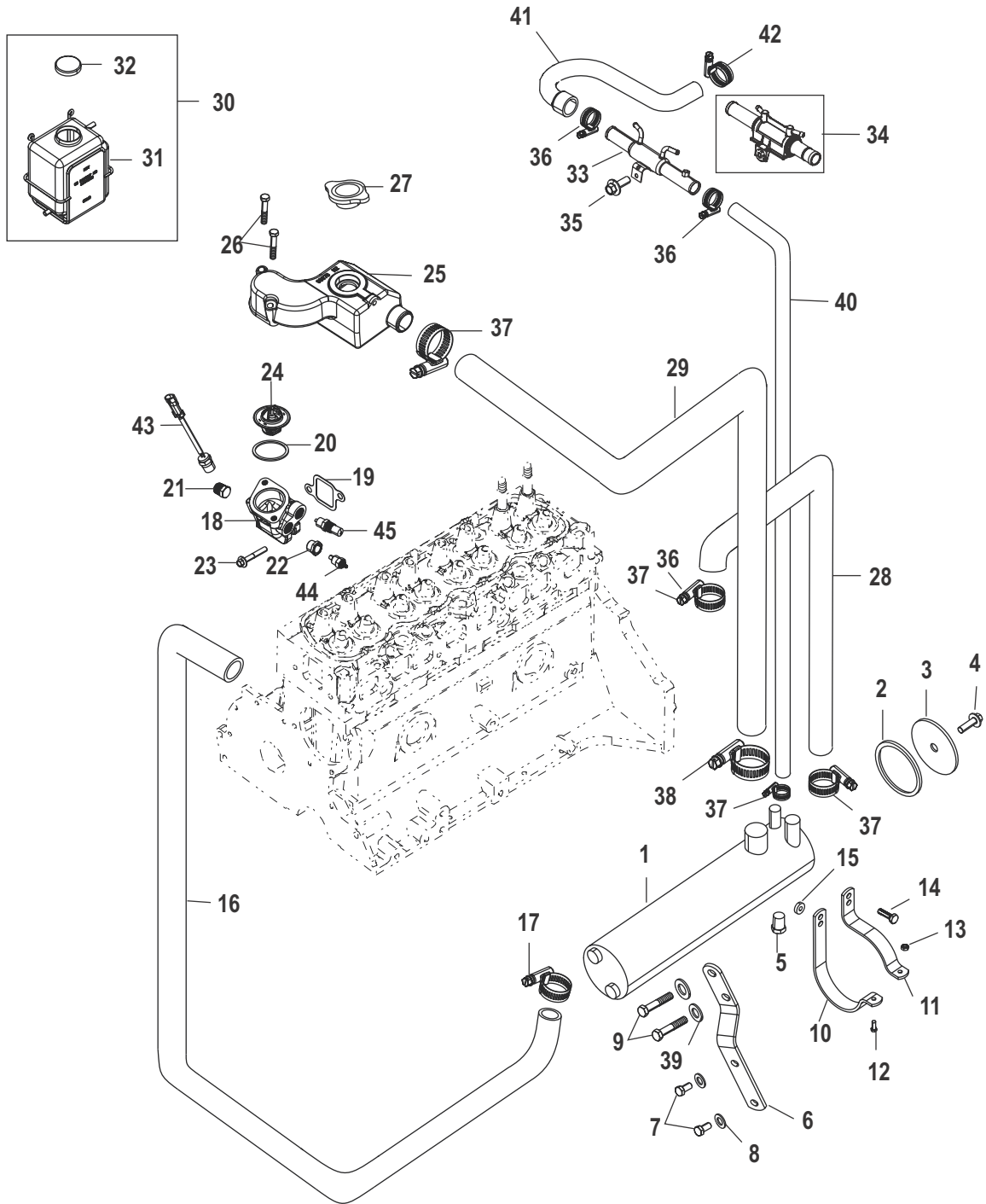


Standard Cooling System

PART NOTES:

- [1] - Alternate part numbers:
 - 807252Q 5QS Kit
 - 807252T 2Service Part
 - 807252T 5MPP Kit
- [2] - Alternate part numbers:
 - 33179 2Service Part
 - 33179Q02QS
- [3] - Component of Engine Gasket set 810846A05
Component of Cylinder Block Assembly 864626A01

Closed Cooling System



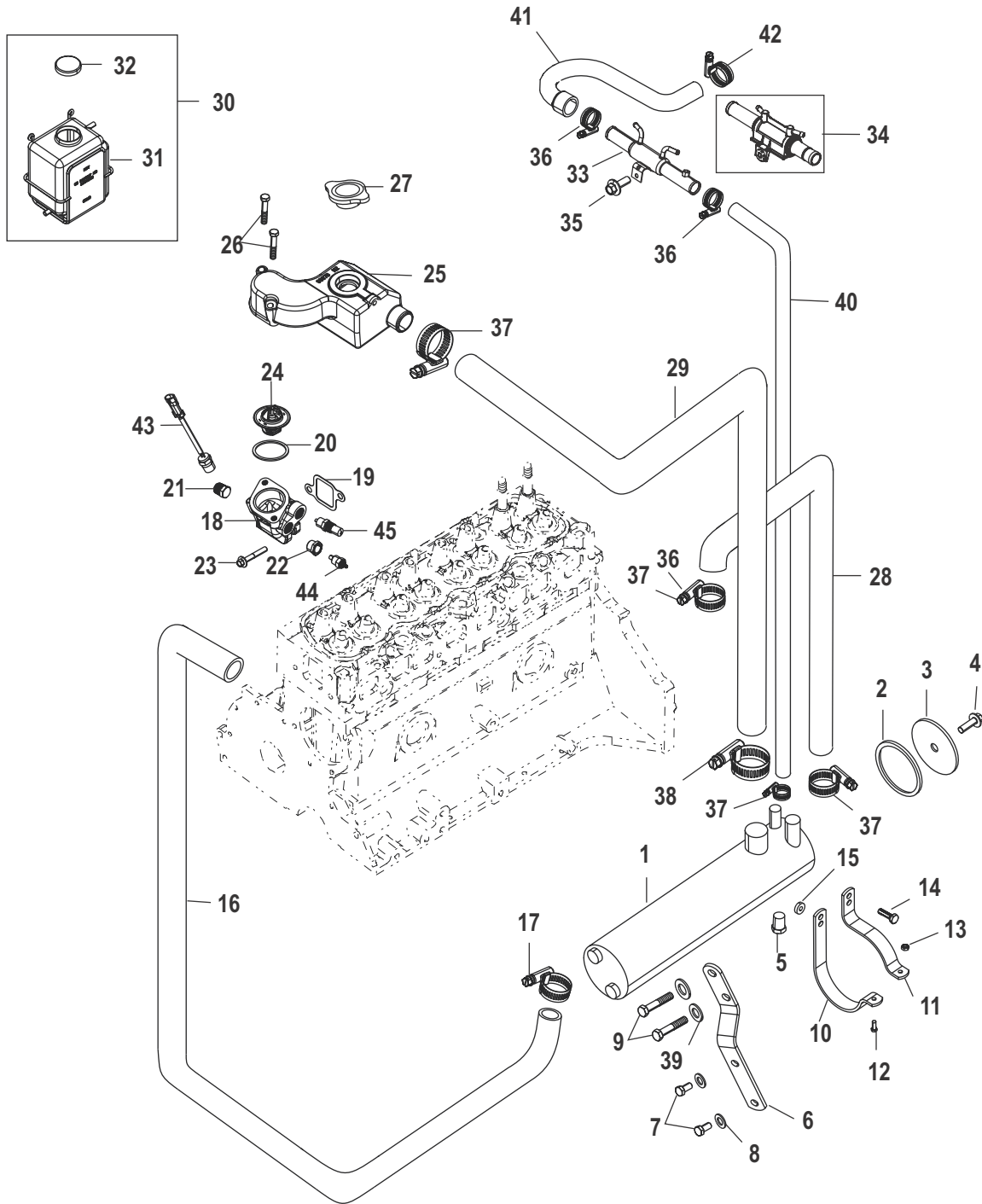
42314

Closed Cooling System

Ref #	Part Class	Part Number	Description	Comments	Qty	Note
1	0000	61086A7	HEAT EXCHANGER ASSEMBLY		1	
2	0027	65128	GASKET		1	
3	0000	66221	COVER		1	
4	0010	66223	SCREW		1	
5	0022	328022	PLUG Pipe (.125-27) Brass		2	
6	0000	61895	BRACKET Front		1	
7	0010	98261	SCREW (.375-16 x .750)		2	
8	0013	35048	LOCKWASHER (.375)		2	
9	0010	36359	SCREW (.437-14 x 5.00)		2	
10	0000	61899	BRACKET Rear Lower		1	
11	0000	61897T	BRACKET Rear Upper		1	
12	0010	65027	SCREW (.250-28 x 1.00)		1	
13	0011	8267139	NUT (.250-28)		1	
14	0010	34354	SCREW (.375-16 x 1.50)		1	
15	0023	905201	SPACER (.750 x .250)		1	
16	0032	96763	HOSE Water Pump to Heat Exchanger		1	
17	0054	815504232	CLAMP Worm Gear (2.50 Diameter) (2.50 Inch)		2	
18	0000	862874A1	HOUSING ASSEMBLY Thermostat		1	
19	0027	8146801	GASKET		1	[1]
20	0027	33918	GASKET		1	[2]
21	0022	52382	BUSHING		2	
22	0022	52382	BUSHING		1	
22	0022	32803	PLUG Pipe (.375-18) Brass		1	
23	0010	20359	SCREW (.375-16 x 1.00)		1	
23	0010	37612	SCREW (.375-16 x 1.250)		1	
24	0000	807252T2	THERMOSTAT 71DegreeC (160 Degree F)		1	[3]
25	0000	96878A2	RESERVOIR ASSEMBLY		1	
26	0010	35787	SCREW (.375-16 x 2.250)		2	
27	0036	13130	CAP Pressure		1	
28	0032	96766	HOSE Exhaust Manifold to Heat exchanger		1	
29	0032	96765	HOSE Reservoir to Exchanger		1	
30	0000	71587A10	RECOVERY KIT Coolant		1	
NS	0032	774572	HOSE (48.00 Inches Bulk)		1	
31	0000	71587A11	BOTTLE Plastic		1	
32	0000	72058	CAP		1	
33	0000	861554T01	COOLER Power Steering	(10.50 Inch)(With Molded Bracket) (Metal)	1	
34	0000	861554T02	COOLER Power Steering	(Composite)	1	
35	0010	816585	SCREW (.312-18 x .875)	Metal Cooler	1	
35	0010	8M2016106	SCREW (.312 x 1.25)	Composite Cooler (Included with 861554T02)	1	
36	0054	815504222	CLAMP Worm Gear (1.98 Diameter) (1.98 Inch)		3	

Closed Cooling System

Closed Cooling System



42314

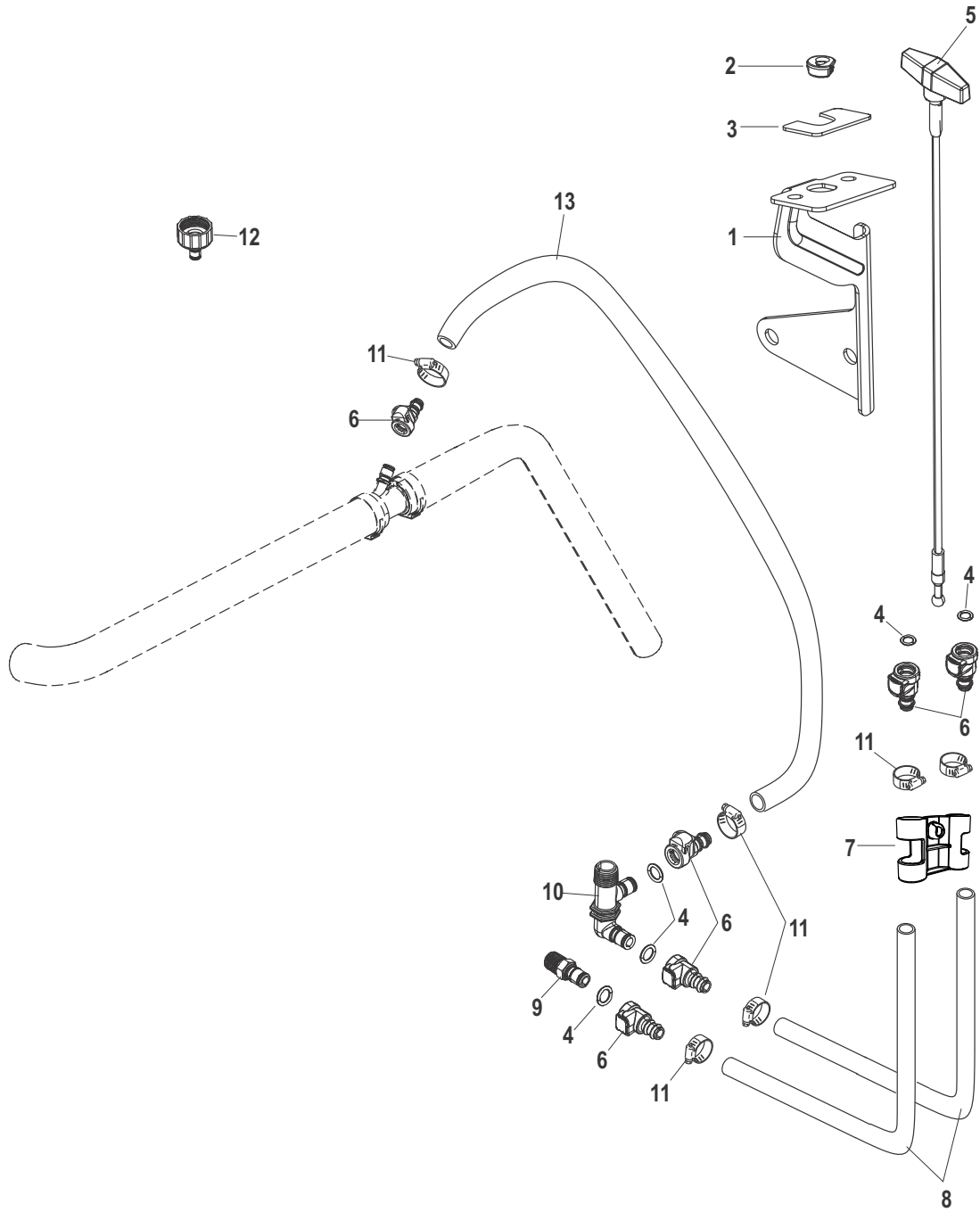
Closed Cooling System

Ref #	Part Class	Part Number	Description	Comments	Qty	Note
37	0054	815504216	CLAMP Worm Gear (1.56 Diameter) (1.56 Inch)		2	
38	0054	815504228	CLAMP Worm Gear (2.25 Inch)		2	
39	0012	22248	WASHER (.453 x .875 x .060)		2	
40	0032	807661	HOSE Power Steering Cooler to Thermostat Housing	(With Power Steering)	1	
40	0032	4285069	HOSE (44.00 Inches Bulk) Transom to Heat Exchanger	(Without Power Steering)	1	
41	0032	807661	HOSE Transom to Power Steering Cooler	(Use With 10.50 Inch Cooler)	1	
42	0054	815504212	CLAMP Worm Gear Diameter(1.31 Inch)		3	
43	0087	866115	Temperature Switch (Normally Open 130-110 degrees) Turn Key Start		1	
44	0000	806490T	SENDER		1	
45	0000	48952	SWITCH ASSEMBLY		1	
NS	0019	8079923	COVER Hose Clamp End		AR	

PART NOTES:

- [1] - Component of Engine Gasket set 810846A05
Component of Cylinder Block Assembly 864626A01
- [2] - Component of Engine Gasket set 810846A05
- [3] - Alternate part numbers:
807252Q 5QS Kit
807252T 2Service Part
807252T 5MPP Kit

Drain System

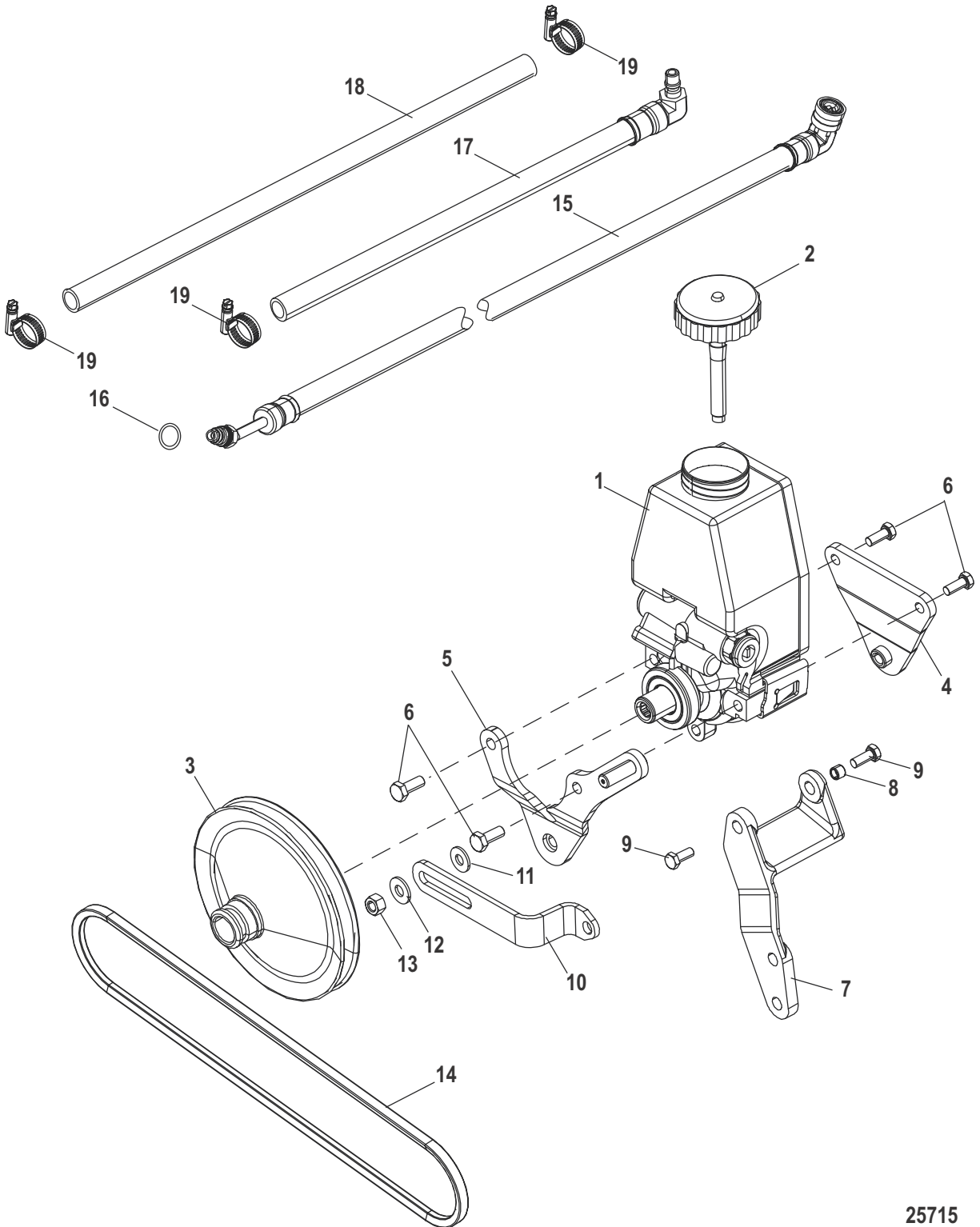


11622

Drain System

Ref #	Part Class	Part Number	Description	Comments	Qty	Note
1	0000	862226A2	BRACKET Drain Assembly		1	
2	0023	862298	BUSHING		1	
3	0037	862230	DECAL Warning		1	
4	0025	627021	O-RING (.301 x .070)		2	
5	0000	862257A1	T-HANDLE ASSEMBLY With Cable		1	
6	0022	862225	FITTING Coupling		AR	
7	0000	862229	SLIDER		1	
8	0032	8622241	HOSE Blue Drain		2	
9	0022	862603	FITTING		2	
10	0022	862605T1	ADAPTER ASSEMBLY Includes O-Rings		1	
11	0054	815504105	CLAMP Worm Gear (11-18 mm)		AR	
11	0054	815504222	CLAMP Worm Gear (1.98 Diameter)		AR	
12	0022	863840	FITTING Flush		1	
13	0032	8623175	HOSE		1	
NS	0019	8079923	COVER Hose Clamp End		AR	

Steering Components

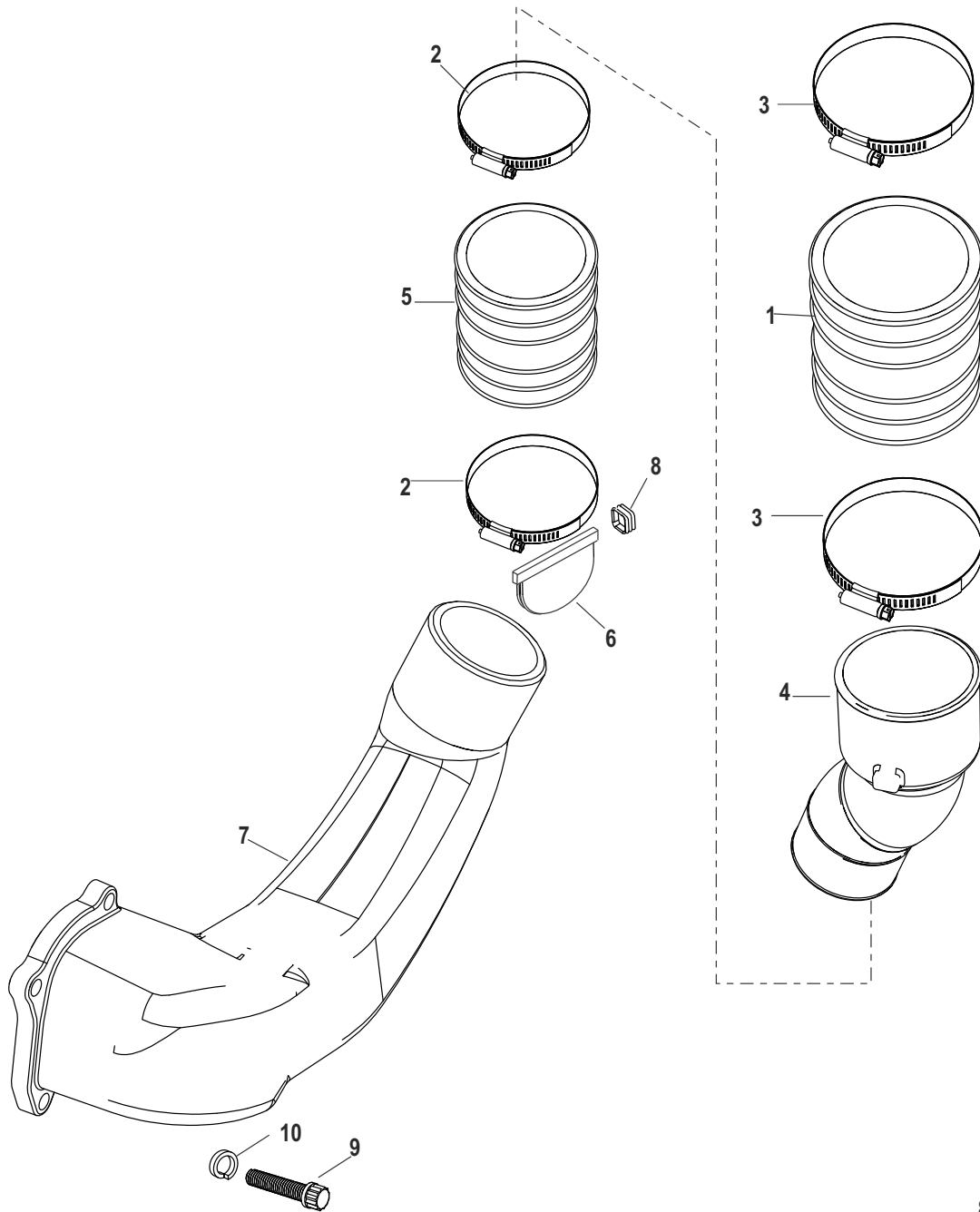


25715

Steering Components

Ref #	Part Class	Part Number	Description	Comments	Qty	Note
1	0000	866280A04	PUMP ASSEMBLY		1	
2	0036	95805	CAP		1	
3	0000	866106T	PULLEY		1	
4	0000	866144T	BRACKET		1	
5	0000	866145T	BRACKET		1	
6	0010	40001137	SCREW (M8 x 30)		4	
7	0000	65606T	BRACKET		1	
8	0023	96818	BUSHING		1	
9	0010	37612	SCREW (.375-16 x 1.250)		2	
10	0000	96772A1	BRACE Power Steering Adjusting		1	
11	0023	72057	SPACER (1.00 Outside Diameter x .125 x Thick)		1	
12	0012	34714	WASHER		1	
13	0011	32219	NUT (.375-16)		1	
14	0057	65607Q	V BELT 37 in. (940 mm) length		1	
15	0032	866687	HOSE Pressure		1	
16	0025	89879	O-RING (.301 x .064)		1	
17	0032	865390015	HOSE Male Quick Connect		1	
18	0032	5251914	HOSE (53.00 Inches Bulk) Pump to Oil Cooler	(Cut to 37.00 Inch Length)	1	
19	0054	815504105	CLAMP Worm Gear (11-18 mm)		3	
NS	0019	8079921	COVER Hose Clamp End		AR	

Exhaust System



8158

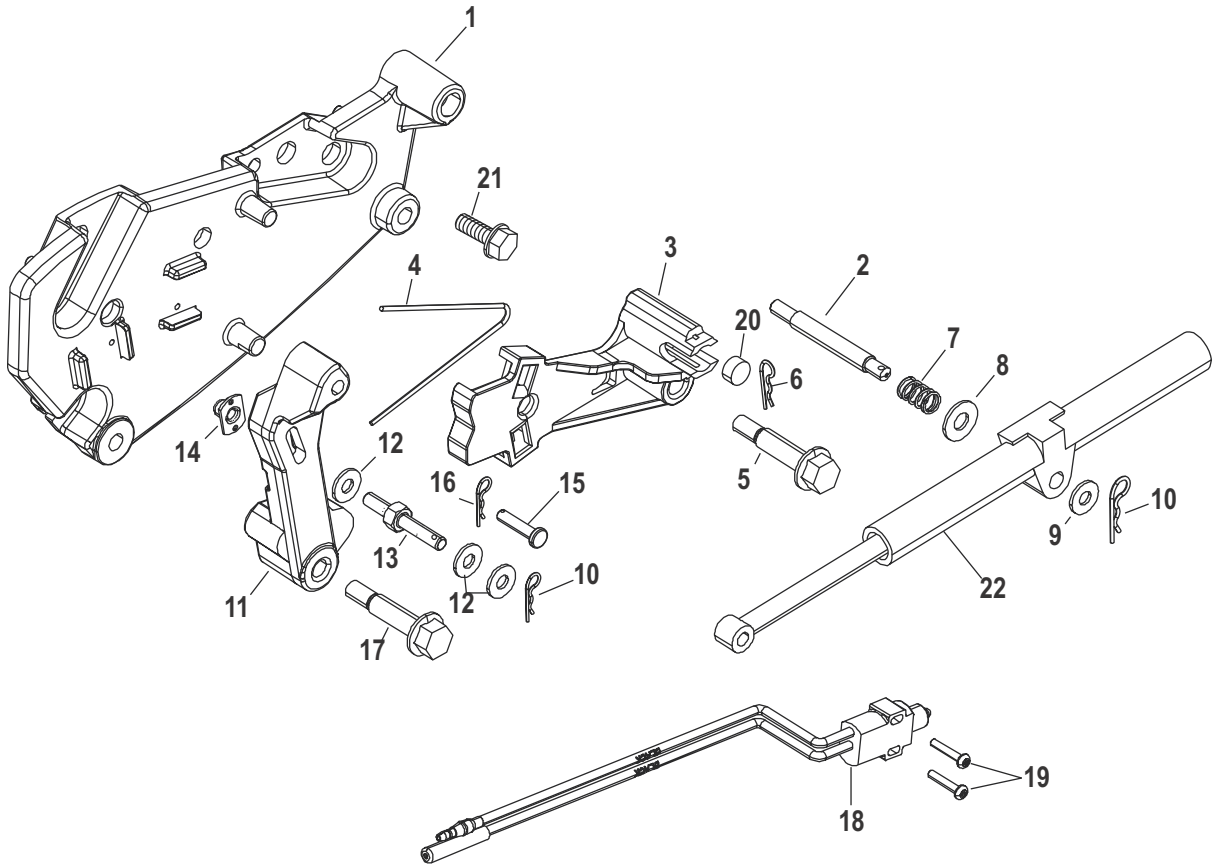
Cat.# 90-804862003

Exhaust System

Ref #	Part Class	Part Number	Description	Comments	Qty	Note
1	0032	44348001	TUBE Exhaust Exhaust			
2	0054	815504256	CLAMP Worm Gear Small		4	
3	0054	815504272	CLAMP Worm Gear Large		4	
NS	0019	8079923	COVER Hose Clamp End		AR	
4	0000	42422A2	PIPE ASSEMBLY Exhaust		1	
5	0032	90949T	TUBE Exhuast		1	
6	0000	60930	SHUTTER Water		1	
7	0000	42421A5	ELBOW ASSEMBLY Exhaust		1	
8	0025	43809	GROMMET		2	
9	0010	58640	SCREW (.375-16 x 1.25)		4	
10	0013	41471	LOCKWASHER (.375)		4	

Exhaust System

Shift Bracket



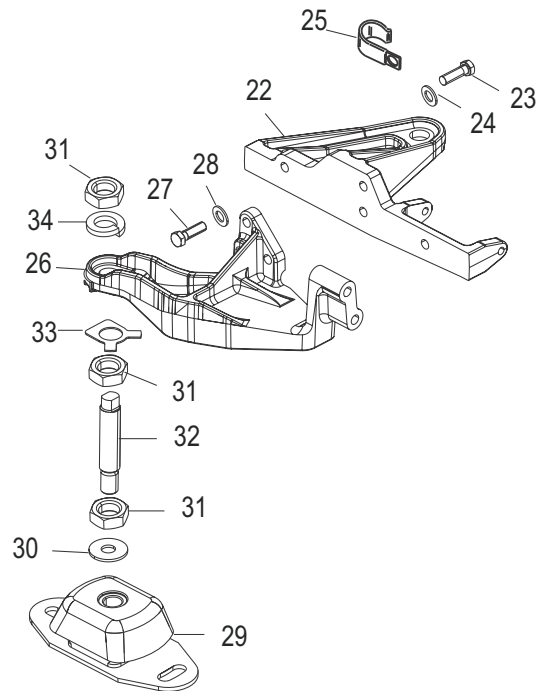
2419

Shift Bracket

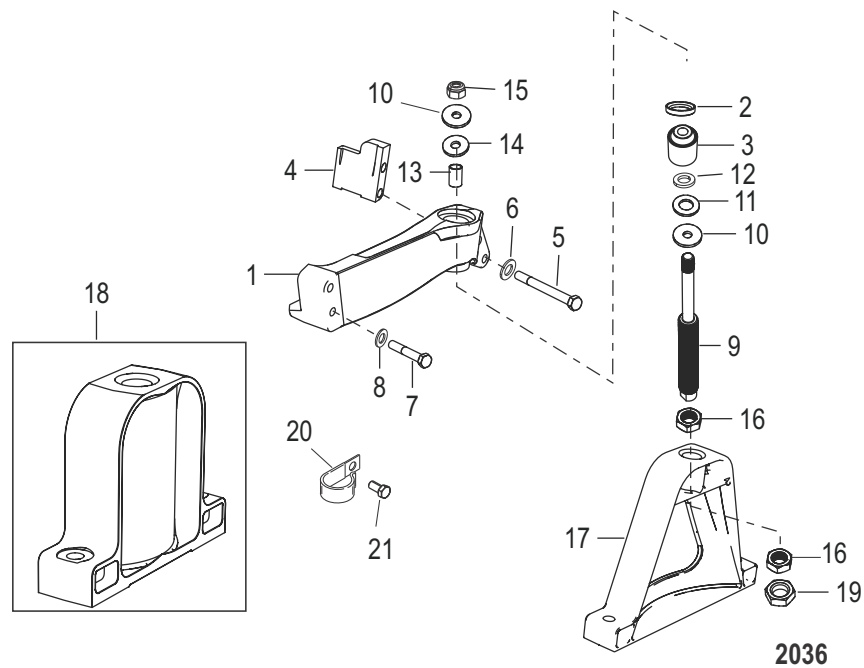
Ref #	Part Class	Part Number	Description	Comments	Qty	Note
1	0000	807962A15	BRACKET ASSEMBLY Shift		1	
2	0000	865149A02	STUD With Clip		1	
3	0000	865433A02	LEVER ASSEMBLY Actuator		1	
4	0024	864907T	SPRING		1	
5	0010	865148	SHOULDER SCREW (.312-18 x 1.843) Stainless Steel Shoulder		1	
6	0018	859746	COTTER PIN Hairpin		1	
7	0024	98880	SPRING		1	
8	0012	56720	WASHER (.330 x .750 x .060) Stainless Steel		1	
9	0012	35462	WASHER (.2656 x .625 x .0625) Stainless Steel		1	
10	0018	859746	COTTER PIN Hairpin		2	
11	0000	13898A06	LEVER ASSEMBLY Shift		1	
12	0012	35462	WASHER (.2656 x .625 x .0625) Stainless Steel		3	
13	0016	865393A02	STUD KIT (.250-28 x 1.90) With Clip		1	
14	0011	63341	TEE NUT		1	
15	0017	814001	PIN Clevis		1	
16	0018	859746	COTTER PIN Hairpin		1	
17	0010	865148	SHOULDER SCREW (.312-18 x 1.843) Stainless Steel Shoulder		1	
18	0087	814281T09	SWITCH Shift Interrupt		1	
19	0010	865147	SCREW (#6-32 x .750) Stainless Steel		2	
20	0023	98828	SPACER		1	
21	0010	805564	SCREW (.250-20 x .750)		3	
22	0000	813995A1	GUIDE ASSEMBLY Spring		1	

Engine Mounting

SIDE MOUNT



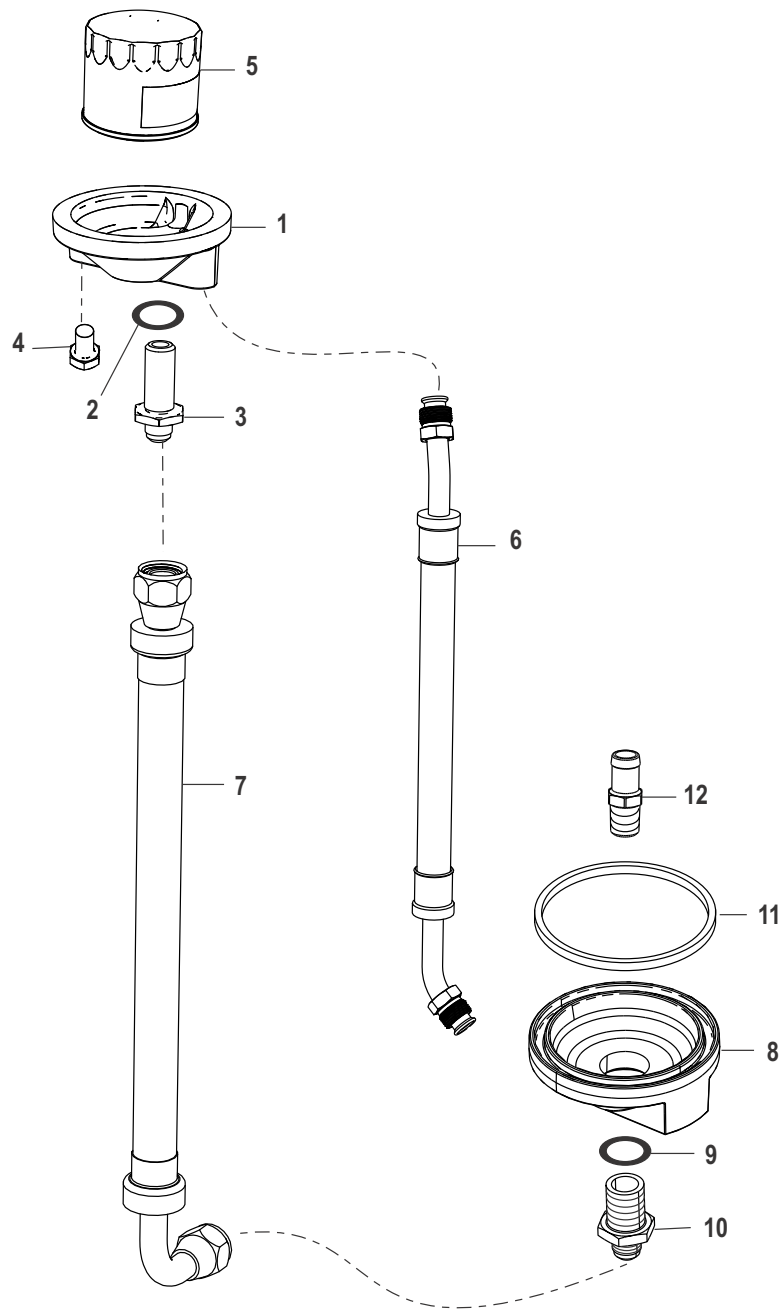
FRONT MOUNT



Engine Mounting

Ref #	Part Class	Part Number	Description	Comments	Qty	Note
1	0000	73571A2	BRACKET ASSEMBLY		1	
2	0023	35903	SPACER		1	
3	0000	32833	MOUNT		1	
4	0000	35862	BLOCK		1	
5	0010	32557	SCREW (.437-14 x 4.625)		2	
6	0012	22248	WASHER (.453 x .875 x .060)		2	
7	0010	26486	SCREW (.375-16 x 2.375)	(Without Power Steering)	2	
7	0010	47688	SCREW (.375-16 x 2.750)	(With Power Steering)	2	
8	0012	20553	WASHER (.406 x .734 x .063)		2	
9	0016	36100T	STUD		1	
10	0012	36103	WASHER (Steel, 1.75 Inch Outside Diameter)		2	
11	0012	32638	WASHER Rubber		1	
12	0012	30119	WASHER (.875 Inch Outside Diameter)		1	
13	0023	32756	SPACER		1	
14	0012	36104	WASHER Rubber		1	
15	0011	82671317	NUT (.500-20)		1	
16	0011	32882	NUT (.875-14)		2	
17	0000	32778T	SUPPORT		1	
18	0000	76409F1	SUPPORT		OPT	
19	0011	47525	NUT (.875-14) Bottom		1	
20	0054	78945	J CLAMP		1	
21	0010	98261	SCREW (.375-16 x .750)		1	
22	0000	863384T	MOUNT Port		1	
23	0010	37612	SCREW (.375-16 x 1.250)		3	
23	0010	865982005	SCREW (.375-16 x 1.00)		1	
24	0012	20553	WASHER (.406 x .734 x .063)		3	
25	0054	78945	J CLAMP		1	
26	0000	863385T	MOUNT Starboard		1	
27	0010	34354	SCREW (.375-16 x 1.50)		1	
27	0010	865982005	SCREW (.375-16 x 1.00)		2	
28	0012	20553	WASHER (.406 x .734 x .063)		1	
29	0000	98323A6	BASE ASSEMBLY		1	
30	0012	33171	WASHER (.6406 x 1.750 x .125)		2	
31	0011	20739	NUT (.750-16)		8	
32	0016	816327	STUD (.750-16 x Special)		2	
33	0014	863844	RETAINER		2	
34	0013	68102	LOCKWASHER (.750)		2	

Remote Oil Filter Accessory Kit 861480A 1



8156

Remote Oil Filter Accessory Kit 861480A 1

Ref #	Part Class	Part Number	Description	Comments	Qty	Note
-	0000	861480A1	FILTER KIT Remote Oil		1	
1	0000	806329T	ADAPTER Oil Filter		1	
2	0026	42077	SEAL		1	
3	0022	806328	FITTING		1	
4	0010	98257	SCREW (.312-18 x .500)		2	
5	0035	866340Q02	FILTER Oil - Quicksilver Brand		1	[1]
6	0032	861509	HOSE Oil		1	
7	0032	861510	HOSE Oil		1	
8	0000	818400A1	ADAPTER		1	
9	0026	42077	SEAL		1	
10	0022	806121	FITTING		1	
11	0027	91892	GASKET		1	
12	0022	805632	CONNECTOR		1	

PART NOTES:

- [1] - Alternate part numbers:
866340K01MPP
866340Q02Service Part
866340Q03QS

Gasket Set Components (27-810846A05) Engine Overhaul

Gasket Set Components (27-810846A05) Engine Overhaul

Ref #	Part Class	Part Number	Description	Comments	Qty	Note
-	0027	810846A05	GASKET SET Engine Overhaul		1	
-	0027	810846T	GASKET SET Oil Pan		1	
-	0027	49953	GASKET Front Cover		1	
-	0027	815528	GASKET Exhaust Manifold		1	
-	0027	866027	GASKET Carburetor		1	
-	0027	814703	GASKET Cover		1	
-	0027	851040	GASKET Rocker Cover		1	
-	0027	33918	GASKET Thermostat Housing		1	
-	0027	810848	GASKET Circulating Pump		1	
-	0027	997772	GASKET Elbow		1	[1]
-	0027	881715	GASKET		1	
-	0026	97335	SEAL Front Cover		1	
-	0027	87707	GASKET Distributor		1	
-	0027	431861	GASKET Fuel Pump		1	
-	0027	49955	GASKET Drain		1	
-	0026	34217	SEAL Push Rod		8	
-	0027	8146801	GASKET Cylinder Head		1	
-	0026	14240	SEAL Oil		1	
-	0027	52364	GASKET Cylinder Head		1	
-	0027	96429	GASKET Manifold to Head		1	
-	0027	806452	GASKET Valve Cover		1	
-	0027	480431	GASKET End Cap to Manifold		1	
-	0027	807218	GASKET End Cap		2	
-	0027	475901	GASKET Water Distribution		1	[2]
-	0027	8079821	GASKET Carburetor		1	

PART NOTES:

- [1] - Alternate part numbers:
99777 2Service Part
99777Q02QS
- [2] - Alternate part numbers:
47590 1Service Part
47590Q01QS

PARTS INDEX

Part No.	Description	Pg.	Ref.no	Part No.	Description	Pg.	Ref.no
11178A01	BREAKER Circuit - 50 Ampere Button reset	14	24	11965	ROTATOR Exhaust Valve	26	16
11976	SCREW (.375-16 x 1.00)	16	13	12076A2	ELBOW ASSEMBLY Exhaust	24	18
12552	LIFTING EYE	42	9	13130	CAP Pressure	46	27
13510	WASHER	40	21	13898A06	LEVER ASSEMBLY Shift	56	11
14239	RETAINER Oil Seal	32	16	14240	SEAL Oil	32	18
14240	SEAL Oil	62	-	14263	PIN Dowel	32	20
14883	SCREW (.375-16 x 1.12)	40	20	17464	RING SET Piston (Standard)	34	2
17494A1	COVER KIT	42	6	18643A5	COUPLING ASSEMBLY	40	18
18644	BUMPER Rubber	40	19	1940971	HOSE (54.00 Inches Bulk)	12	8
20084	WASHER (.328 x .562 x .062)	18	11	20084	WASHER (.328 x .562 x .062)	24	9
20359	SCREW (.375-16 x 1.00)	46	23	20533	WASHER	14	21
20553	WASHER (.406 x .734 x .063)	10	5	20553	WASHER (.406 x .734 x .063)	24	15
20553	WASHER (.406 x .734 x .063)	58	8	20553	WASHER (.406 x .734 x .063)	58	24
20553	WASHER (.406 x .734 x .063)	58	28	20572	WASHER (.390 x .750 x .093)	40	8
20739	NUT (.750-16)	58	31	21806	NUT (#10-24)	8	16
21825	NUT (.250-28)	14	28	22248	WASHER (.453 x .875 x .060)	48	39
22248	WASHER (.453 x .875 x .060)	58	6	26168	WASHER	10	3
26486	SCREW (.375-16 x 2.375)	58	7	26996	LOCKWASHER (#10) Stainless Steel	8	6
26996	LOCKWASHER (#10) Stainless Steel	14	2	26996	LOCKWASHER (#10) Stainless Steel	14	5
26996	LOCKWASHER (#10) Stainless Steel	36	34	29245	WASHER (.281 x .500 x .060) Stainless Steel	20	33
30119	WASHER (.875 Inch Outside Diameter)	58	12	31866	SPACER (.256 x .313 x .625)	14	20
32132	SCREW (.375-16 x 1.750)	40	4	32219	NUT (.375-16)	40	6
32219	NUT (.375-16)	52	13	32509	O-RING (.489 x .070)	36	16
32557	SCREW (.437-14 x 4.625)	58	5	32638	WASHER Rubber	58	11
32756	SPACER	58	13	32778T	SUPPORT	58	17
328022	PLUG Pipe (.125-27) Brass	46	5	32803	PLUG Pipe (.375-18) Brass	24	2
32803	PLUG Pipe (.375-18) Brass	46	22	32833	MOUNT	58	3
32882	NUT (.875-14)	58	16	33171	WASHER (.6406 x 1.750 x .125)	58	30
331792	GASKET	4	-	331792	GASKET	42	5
33649	PIN Drive	16	10	33918	GASKET	46	20
33918	GASKET Thermostat Housing	62	-	34217	SEAL	26	22
34217	SEAL Push Rod	62	-	342271	SEALING COMPOUND (16 Ounce)	26	-
342271	SEALING COMPOUND (16 Ounce)	30	-	342271	SEALING COMPOUND (16 Ounce)	32	-
342271	SEALING COMPOUND (16 Ounce)	36	-	34270	EXPANSION PLUG (1.625)	36	36
34354	SCREW (.375-16 x 1.50)	46	14	34354	SCREW (.375-16 x 1.50)	58	27
34466	KEY	32	9	34466	KEY	32	12
34469	BEARING	32	4	34470	SCREW With Sealing Washer	32	3
34471	SCREW (.312-18 x 1.500)	30	13	34487	PLUG (.375-18 x .42)	36	3
34500	SCREW (.312-18 x .625)	36	20	34505	SCREW (.312-18 x .875)	30	13
34510	BOLT	26	24	34516	NUT	26	19
34519	ARM KIT Rocker	26	20	34521	STUD	26	23
34522	STUD	26	23	34532	PUSH ROD	26	11
34543	VALVE	36	14	34714	WASHER	52	12
35048	LOCKWASHER (.375)	40	7	35048	LOCKWASHER (.375)	46	8
35168	BEARING	36	24	35366	SCREW	26	3
35366	SCREW	30	10	35366	SCREW	32	15
35366	SCREW	36	10	35462	WASHER (.2656 x .625 x .0625) Stainless Steel	56	9
35462	WASHER (.2656 x .625 x .0625) Stainless Steel	56	12	35465	PIN Dowel (.312)	26	9
35777	WASHER (.5156 x 1.375 x .125) Aluminum	40	13	35787	SCREW (.375-16 x 2.250)	46	26
35862	BLOCK	58	4	358701	SCREW (.375-16 x 2.00)	40	4
35903	SPACER	58	2	36100T	STUD	58	9
36103	WASHER (Steel, 1.75 Inch Outside Diameter)	58	10	36104	WASHER Rubber	58	14
36359	SCREW (.437-14 x 5.00)	46	9	36405	PUMP ASSEMBLY Oil	36	6
37293T	SENDER ASSEMBLY Oil Pressure	14	4	37493	NUT (.375-24)	34	5
37531	PLUG	36	4	37612	SCREW (.375-16 x 1.250)	40	4
37612	SCREW (.375-16 x 1.250)	42	8	37612	SCREW (.375-16 x 1.250)	46	23
37612	SCREW (.375-16 x 1.250)	52	9	37612	SCREW (.375-16 x 1.250)	58	23
3864	CAMSHAFT	32	7	38992	FITTING	14	8
38992	FITTING	36	30	39107	LOCKWASHER (.312-24)	30	6
40001134	SCREW (M8 x 25)	10	2	40001137	SCREW (M8 x 30)	52	6
400211	NUT (M5) Stainless Steel	8	12	400212	NUT (M6) Stainless Steel	10	11

PARTS INDEX

Part No.	Description	Pg.	Ref.no	Part No.	Description	Pg.	Ref.no
400247	LOCKWASHER (M8)	8	10	400247	LOCKWASHER (M8)	14	30
41471	LOCKWASHER (.375)	54	10	41508	SCREW (.250-20 x .500) Stainless Steel	18	13
415825	CLAMP Nylon	12	7	42077	SEAL	60	2
42077	SEAL	60	9	42421A5	ELBOW ASSEMBLY Exhaust	54	7
42422A2	PIPE ASSEMBLY Exhaust	54	4	4285069	HOSE (44.00 Inches Bulk) Transom to Heat Exchanger	48	40
431861	GASKET	18	16	431861	GASKET Fuel Pump	62	-
43276	ELBOW (90 Degree) (90 Degree)	18	17	43293T	BEARING SET Camshaft	32	8
43809	GROMMET	54	8	44348001	TUBE Exhaust Exhaust	54	1
45862	SCREW (#10-32 x .875)	14	23	46132	WASHER	8	15
46335	NUT (.375-24)	24	16	46743	TIMING GEAR	32	13
46745	GEAR	32	14	47277	SCREW (.312-24 x .750)	30	5
47525	NUT (.875-14) Bottom	58	19	475901	GASKET Water Distribution	62	-
47688	SCREW (.375-16 x 2.750)	58	7	480431	GASKET End Cap to Manifold	62	-
48952	SWITCH ASSEMBLY	14	16	48952	SWITCH ASSEMBLY Audio Warning	42	2
48952	SWITCH ASSEMBLY	48	45	49174	REINFORCEMENT Valve Cover	26	8
49734	SENDER Water Temperature	14	1	49953	GASKET	30	9
49953	GASKET Front Cover	62	-	49955	GASKET Drain	36	22
49955	GASKET	36	23	49955	GASKET Drain	62	-
49956	SCREW Drain	36	21	52146	SCREEN Oil Pump Pickup	36	9
52188	GROMMET	26	6	52364	GASKET	26	25
52364	GASKET Cylinder Head	62	-	52367	VALVE Exhaust	26	13
52368	VALVE Exhaust	26	13	52382	BUSHING	46	21
52382	BUSHING	46	22	5251914	HOSE (53.00 Inches Bulk) Pump to Oil Cooler	52	18
52930	FITTING	14	7	52930	FITTING	36	31
53336Q	STRAINER Carb Fuel	4	-	53336Q	STRAINER Carb Fuel	4	-
53336Q	STRAINER	20	29	54090	ELBOW (90 Degree)	18	8
54528	SCREW	26	10	54676	RETAINER Two Wire	16	16
547971	KEY	26	15	55045	BALANCER	30	2
56681	WASHER (.203 x .500 x .032)	18	7	56720	WASHER (.330 x .750 x .060) Stainless Steel	56	8
58333	BRACE Alternator Adjusting	10	1	58640	SCREW (.375-16 x 1.25)	54	9
59340	BALL Rocker Arm	26	21	59341A1	COVER ASSEMBLY	30	7
60717	SUPPORT Oil Pump	36	11	60930	SHUTTER Water	54	6
61086A7	HEAT EXCHANGER ASSEMBLY	46	1	61895	BRACKET Front	46	6
61897T	BRACKET Rear Upper	46	11	61899	BRACKET Rear Lower	46	10
627021	O-RING (.301 x .070)	50	4	62706	O-RING (.426 x .070)	24	7
62826A6	CABLE ASSEMBLY Ground (13.00 Inches) Black	40	11	63341	TEE NUT	56	14
64066	STUD (.375-16 x 2.750) Special	40	5	65027	SCREW (.250-28 x 1.00)	46	12
65128	GASKET	46	2	65606T	BRACKET	52	7
65607Q	V BELT 37 in. (940 mm) length Power steering	4	-	65607Q	V BELT 37 in. (940 mm) length	52	14
65868	STUD (.312-18/.312-24 x 2.120)	18	9	65868	STUD (.312-18/.312-24 x 2.120)	18	19
66217	RING Piston	34	2	66221	COVER	46	3
66223	SCREW	46	4	668631	SCREW (.375-16 x 2.500)	24	17
67850	LIFTING EYE	26	26	68101	SCREW (.375-16 x 1.375)	40	4
68102	LOCKWASHER (.750)	58	34	68219	NUT (#10-32) Stainless Steel	14	3
68219	NUT (#10-32) Stainless Steel	14	6	68219	NUT (#10-32) Stainless Steel	14	25
68219	NUT (#10-32) Stainless Steel	36	35	70236	STUD (.312 x 1.500)	18	9
71587A10	RECOVERY KIT Coolant	46	30	71587A11	BOTTLE Plastic	46	31
72057	SPACER (1.00 Outside Diameter x .125 x Thick)	52	11	72058	CAP	46	32
72607	SCREW (.250-20 x .375)	32	5	72607	SCREW (.250-20 x .375)	36	20
72624	CLAMP	16	12	72638	LIFTER	32	6
72640	PLUG	36	5	73483T	PULLEY	30	4
73571A2	BRACKET ASSEMBLY	58	1	7381567	TUBING (42.00 Inches Bulk) Vent	18	20
76409F1	SUPPORT	58	18	76596	SCREW (.250-20 x 1.250)	40	10
774572	HOSE (48.00 Inches Bulk)	46	NS	78945	J CLAMP Harness Support	10	12
78945	J CLAMP	58	20	78945	J CLAMP	58	25
79023A90	FUSE ASSEMBLY 90 Ampere	14	27	79023A91	FUSE ASSEMBLY 90 Ampere	8	8
79695	BOOT Insulator - Black	8	7	79695	BOOT Insulator - Black	14	29
803854	PLATE Baffle	20	23	803897K1	FILTER KIT Mercury Branded Package	18	22
803897Q1	FILTER KIT Quicksilver Branded Package	18	22	803936	FLYWHEEL (14 Inch)	40	15
804689	SEAT KIT Inlet	20	14	804862003	PARTS MANUAL 3.0L Alpha One	2	-

PARTS INDEX

Part No.	Description	Pg.	Ref.no	Part No.	Description	Pg.	Ref.no
804957T01	CRANKSHAFT	32	10	804982	BEARING SET	34	6
804982001	BEARING SET	34	6	805189	SCREW (.375-16 x .750)	16	18
805295	STUD (.250-20/.250-28 x Special)	18	5	8053432	SCREW (.375-16 x 4.33)	8	3
805524	CLIP	36	29	805546A2	BRACKET Oil Cooler	42	18
805564	SCREW (.250-20 x .750)	56	21	805632	CONNECTOR	36	12
805632	CONNECTOR	60	12	806121	FITTING	60	10
806193A51	MONITOR ASSEMBLY Drive Lube	12	1	806300	STUD (.375 x 5.380)	24	14
806328	FITTING	60	3	806329T	ADAPTER Oil Filter	60	1
806452	GASKET Valve Cover	62	-	806490T	SENDER Water Temperature	14	1
806490T	SENDER	42	24	806490T	SENDER	48	44
806608A1	PLUG KIT (.500-13) Royal Blue	24	6	806608A1	PLUG KIT (.500-13) Royal Blue	36	15
8067271	CAP Drive Lube Monitor	12	2	806871	GASKET	4	-
806871	GASKET	42	7	806922	SLEEVE	42	4
806949	NUT (M8-1.5)	8	4	806949	NUT (M8-1.5)	8	5
807152	CAP Oil Fill	26	2	807218	GASKET End Cap	62	-
807252T2	THERMOSTAT 71DegreeC (160 Degree F)	42	3	807252T2	THERMOSTAT 71DegreeC (160 Degree F)	46	24
807260A2	COVER KIT Flywheel	40	9	807296	NUT (.250-20)	40	NS
807661	HOSE Power Steering Cooler to Transom	42	26	807661	HOSE Power Steering Cooler to Thermostat Housing	48	40
807661	HOSE Transom to Power Steering Cooler	48	41	807962A15	BRACKET ASSEMBLY Shift	56	1
8079821	GASKET Carburetor	62	-	8079921	COVER Hose Clamp End	52	NS
8079923	COVER Hose Clamp End	42	NS	8079923	COVER Hose Clamp End	48	NS
8079923	COVER Hose Clamp End	50	NS	8079923	COVER Hose Clamp End	54	NS
808010	SCREW (.312-18 x 1.375)	18	18	808023T	STRAP Bracket	12	5
808624	CONNECTOR	12	3	808675	CLIP Spring	20	17
809463A1	SOLENOID KIT Starter	8	2	809520	CHECK BALL KIT	20	7
809825	RTV SILICONE (3 Ounce Tube) Metallic Blue	26	-	809825	RTV SILICONE (3 Ounce Tube) Metallic Blue	30	-
809825	RTV SILICONE (3 Ounce Tube) Metallic Blue	32	-	809825	RTV SILICONE (3 Ounce Tube) Metallic Blue	36	-
810844	BOLT	32	19	810845T	PAN Oil	36	18
810846A05	GASKET SET	2	-	810846A05	GASKET SET Overhaul	16	-
810846A05	GASKET SET Overhaul	18	-	810846A05	GASKET SET Overhaul	26	-
810846A05	GASKET SET Overhaul	30	-	810846A05	GASKET SET Overhaul	36	-
810846A05	GASKET SET Engine Overhaul	42	-	810846A05	GASKET SET Engine Overhaul	62	-
810846T	GASKET SET	36	19	810846T	GASKET SET Oil Pan	62	-
810848	GASKET	30	12	810848	GASKET Circulating Pump	62	-
810849	CYLINDER HEAD ASSEMBLY	26	12	810852	PISTON ASSEMBLY	34	1
810853T	PISTON ASSEMBLY	34	1	810916	ARM	20	9
810919	WASHER	20	8	810919	WASHER	20	10
8109201	ROD	20	5	810929003	GASKET SET Carburetor	20	30
811635T3	CAP Distributor	16	2	811637001	MODULE	16	4
811638	SCREW	16	5	811639T	COIL	16	6
811640T	SHAFT ASSEMBLY Main	16	7	811641	POLE PIECE	16	8
811642	GEAR	16	9	813995A1	GUIDE ASSEMBLY Spring	56	22
814001	PIN Clevis	56	15	814281T09	SWITCH Shift Interrupt	56	18
8146801	GASKET	26	27	8146801	GASKET	42	10
8146801	GASKET	46	19	8146801	GASKET Cylinder Head	62	-
814702	COVER	32	1	814703	GASKET	32	2
814703	GASKET Cover	62	-	815425T	SENDER ASSEMBLY Oil Pressure	14	4
815425T	SENDER ASSEMBLY	36	33	815504105	CLAMP Worm Gear (11-18 mm)	50	11
815504105	CLAMP Worm Gear (11-18 mm)	52	19	815504212	CLAMP Worm Gear	30	14
815504212	CLAMP Worm Gear Hose - Diameter (1.31 Inch)	42	21	815504212	CLAMP Worm Gear Diameter(1.31 Inch)	48	42
815504216	CLAMP Worm Gear (1.56 Diameter) (1.56 Inch Diameter)	42	14	815504216	CLAMP Worm Gear (1.56 Diameter) (1.56 Inch)	48	37
815504220	CLAMP Worm Gear (1.75 Inch Diameter)	42	14	815504222	CLAMP Worm Gear (1.98 Diameter)	42	20
815504222	CLAMP Worm Gear (1.98 Diameter) (1.98 Inch)	46	36	815504222	CLAMP Worm Gear (1.98 Diameter)	50	11
815504228	CLAMP Worm Gear (2.25 Inch)	48	38	815504232	CLAMP Worm Gear (2.50 Diameter) (2.50 Inch)	42	23
815504232	CLAMP Worm Gear (2.50 Diameter) (2.50 Inch)	46	17	815504256	CLAMP Worm Gear Small	54	2
815504272	CLAMP Worm Gear Large	54	3	815528	GASKET Exhaust Manifold	24	12
815528	GASKET Exhaust Manifold	62	-	816327	STUD (.750-16 x Special)	58	32
816336	SPARK PLUG	16	15	816336	SPARK PLUG	26	17
816336Q	SPARK PLUG	4	-	8164T	CONNECTING ROD ASSEMBLY	34	3

PARTS INDEX

Part No.	Description	Pg.	Ref.no	Part No.	Description	Pg.	Ref.no
816585	SCREW (.312-18 x .875) Cooler Mounting Bracket	42	19	816585	SCREW (.312-18 x .875)	46	35
816761Q14	CABLE KIT Ignition and Coil Wires	16	14	817376T01	HARNES ASSEMBLY Distributor Module to Ignition Coil	16	19
817377	DISTRIBUTOR	16	1	818400A1	ADAPTER	60	8
818469001	BEARING SET	32	11	818470	BEARING SET	32	11
818471	BEARING SET	32	11	818472	BEARING SET	32	11
8237251	LEVER	20	6	824941	SCREW (.312-18 x .750)	8	14
8267086	NUT (#10-32)	18	6	8267089	NUT (.250-28)	14	19
8267089	NUT (.250-28)	20	32	826709106	NUT (#10-32) Stainless Steel	14	25
8267119	NUT (.250-28)	8	9	82671317	NUT (.500-20)	58	15
8267139	NUT (.250-28) Lock	14	22	8267139	NUT (.250-28)	18	2
8267139	NUT (.250-28)	20	34	8267139	NUT (.250-28)	46	13
828213	SCREW (.312-18 x 1.500) Hex Flange	10	6	830749	SEAL	4	-
830749	SEAL	4	-	830861	SCREW (#8-32 x .625)	14	23
83296915	FUSE Mini - Blue - 15 Ampere	14	12	83296915	FUSE Mini - Blue - 15 Ampere	14	12
845175	BUSHING Reducer (.750 / .375)	24	4	845627	SCREW (.500-20 x 2.500)	30	3
845757	SCREW (.437-20 x 1.00)	40	17	845942	SCREW (.312-18 x .750)	36	8
850423001	VENTURI Use With Carburetor Casting 866140001	20	21	850424	JET Power	20	28
851036T	COVER Rocker	26	1	851040	GASKET	26	5
851040	GASKET Rocker Cover	62	-	85802	SCREW (.375-24 x Special)	34	4
859119	NUT (.312-18)	10	7	859746	COTTER PIN Hairpin	56	6
859746	COTTER PIN Hairpin	56	10	859746	COTTER PIN Hairpin	56	16
860065A1	BRACKET KIT Oil Bottle	12	4	860088	BUSHING	36	17
860168060	OPERATION MANUAL 3.0L	2	-	860168070	OPERATION MANUAL 3.0L	2	-
860235A03	MANIFOLD ASSEMBLY Exhaust	24	1	861163	QUICK CONNECTOR (90 Degree)	12	6
861304A01	FUEL LINE ASSEMBLY Fuel	18	12	8613291	SERVICE MANUAL	2	-
861480A1	FILTER KIT Remote Oil	60	-	861493A06	HOUSING ASSEMBLY Thermostat	42	1
861509	HOSE Oil	60	6	861510	HOSE Oil	60	7
861554T01	COOLER Power Steering	42	17	861554T01	COOLER Power Steering	46	33
861554T02	COOLER Power Steering	42	16	861554T02	COOLER Power Steering	46	34
861634	HOSE Housing to Manifold	42	13	861676A1	PUMP Fuel	18	15
861734	BRACKET Alternator	10	8	861942T1	GAUGE Dipstick	36	1
862030T01	ALTERNATOR ASSEMBLY	10	10	862054Q	BELT Alternator	4	-
862054Q	BELT	30	1	8622241	HOSE Blue Drain	50	8
862225	FITTING Coupling	50	6	862226A2	BRACKET Drain Assembly	50	1
862229	SLIDER	50	7	862230	DECAL Warning	50	3
862257A1	T-HANDLE ASSEMBLY With Cable	50	5	862298	BUSHING	50	2
8623175	HOSE	50	13	862324	HOSE Power Steering Cooler to Thermostat Hsg.	42	25
862325	HOSE Transom to Thermostat Housing	42	22	862557	BUSHING (.500-13 x .375)	24	5
862603	FITTING	50	9	862605T1	ADAPTER ASSEMBLY Includes O-Rings	50	10
862777	FLANGE Drain	36	27	862827	TETHER ASSEMBLY Drain Plug	36	28
862874A1	HOUSING ASSEMBLY Thermostat	46	18	862902	NUT (.312-24)	18	10
863007A1	STARTER MOTOR ASSEMBLY	8	1	863200	FLAME ARRESTOR With Molded Hose Retainer	18	1
863212	BRACKET	8	13	863332	NUT (.500-20) Aluminum	40	16
863384T	MOUNT Port	58	22	863385T	MOUNT Starboard	58	26
863481	CLAMP	36	26	863840	FITTING Flush	50	12
863844	RETAINER	58	33	86400	WASHER	18	21
864626A01	MARINE LONG BLOCK ENGINE	2	-	864626A01	MARINE LONG BLOCK ENGINE	16	-
864626A01	MARINE LONG BLOCK ENGINE	18	-	864626A01	MARINE LONG BLOCK ENGINE	26	-
864626A01	MARINE LONG BLOCK ENGINE	30	-	864626A01	MARINE LONG BLOCK ENGINE	32	-
864626A01	MARINE LONG BLOCK ENGINE	36	-	864689	PLUG Expansion	24	19
864907T	SPRING	56	4	865147	SCREW (#6-32 x .750) Stainless Steel	56	19
865148	SHOULDER SCREW (.312-18 x 1.843) Stainless Steel Shoulder	56	5	865148	SHOULDER SCREW (.312-18 x 1.843) Stainless Steel Shoulder	56	17
865149A02	STUD With Clip	56	2	865191	FITTING Male	12	9
865277	HOSE Oil Drain	36	25	865329A02	MOUNT KIT Rubber	40	2
865379	FITTING Female	12	10	865390015	HOSE Male Quick Connect	52	17
865393A02	STUD KIT (.250-28 x 1.90) With Clip	56	13	865433A02	LEVER ASSEMBLY Actuator	56	3
865549	LIFTING EYE	24	8	865657A03	HOUSING ASSEMBLY Flywheel	40	1
865827T	BREAKER Circuit - 50 Ampere Flag Reset	14	24	865931T02	HARNES ASSEMBLY Engine	14	10
865934	Pressure Switch (SPDT)	14	9	865934	Pressure Switch (SPDT)	36	32

PARTS INDEX

Part No.	Description	Pg.	Ref.no	Part No.	Description	Pg.	Ref.no
865982005	SCREW (.375-16 x 1.00)	10	9	865982005	SCREW (.375-16 x 1.00)	58	23
865982005	SCREW (.375-16 x 1.00)	58	27	866027	GASKET	18	4
866027	GASKET Carburetor	62	-	866029	CLAMP	18	14
866106T	PULLEY	52	3	866115	Temperature Switch (Normally Open 130-110 degrees) Turn Key Start	14	14
866115	Temperature Switch (Normally Open 130-110 degrees) TKS	42	15	866115	Temperature Switch (Normally Open 130-110 degrees) Turn Key Start	48	43
866140A02	CARBURETOR	18	3	866140A02	CARBURETOR	20	-
866144T	BRACKET	52	4	866145T	BRACKET	52	5
866146001	GASKET	20	35	866148	MODULE Enrichment	20	1
866202	SERVICE MANUAL Turn Key Start Supplement	2	-	866280A04	PUMP ASSEMBLY	52	1
866285A01	SCREW KIT Idle Mixture	20	25	866288	SCREW	20	2
866289	RETAINER	20	3	866292	JET Enrichment	20	19
866293	EMULSION TUBE	20	20	866294	SCREW KIT	20	11
866340K01	FILTER Oil - Mercury Brand	4	-	866340K01	FILTER Oil - Mercury Brand	4	-
866340K01	FILTER Oil - Mercury Brand	36	13	866340Q02	FILTER Oil - Quicksilver Brand	36	13
866340Q02	FILTER Oil - Quicksilver Brand	60	5	866687	HOSE Pressure	52	15
866725	FITTING Straight (.750-14) Hose	24	3	866727T01	HARNESS ASSEMBLY Transom	14	13
87707	GASKET	16	11	87707	GASKET Distributor	62	-
87717A2	TUBE Dipstick	36	2	879194018	CONNECTOR	20	12
879288268	OPERATION MANUAL 3.0L	2	-	879288290	OPERATION MANUAL 3.0L	2	-
879288310	OPERATION MANUAL 3.0L	2	-	881715	GASKET	32	17
881715	GASKET	62	-	882751	RELAY	14	11
884727001	PUMP ASSEMBLY	30	11	892619A01	SHIM KIT	40	22
898253011	ROTOR	16	3	898253T27	COIL Ignition	16	17
898298	JET Main Use With Carburetor Casting 866140001	20	18	89879	O-RING (.301 x .064)	52	16
898836	O-RING Brown	20	4	89919	BOOT Insulator - Black	14	26
899719T	BRACKET Electrical Mounting	14	15	899871001	CAP Rubber	30	15
8M0045357	FUEL LINE ASSEMBLY Fuel	18	12	8M0046751	FILTER KIT (Mercury Brand) Fuel	4	-
8M0046751	FILTER KIT (Mercury Brand) Fuel	4	-	8M0048399	OPERATION MANUAL 3.0L	2	-
8M0054190	OPERATION MANUAL 3.0L	2	-	8M0074347	OPERATION MANUAL 3.0L TKS/MPI	2	-
8M0109441	THERMOSTAT 71Degree C (160 Degree F)	4	-	8M0147048	MAINTENANCE KIT 3.0L Carb (100 Hours)	4	-
8M0147061	MAINTENANCE KIT 3.0L Carb (300 Hours)	4	-	8M0173510	SPRING Valve	26	18
8M2000229	SCREW (.375-16 x 4.75)	24	13	8M2009755	DECAL Flame Arrestor	2	-
8M2016106	SCREW (.312 x 1.25)	42	19	8M2016106	SCREW (.312 x 1.25)	46	35
8M2018273	DECAL Belt Routing (With Power Steering)	2	-	8M2018274	DECAL Belt Routing (Without Power Steering)	2	-
90059	SCREW (.375-16 x .875)	42	11	90059	SCREW (.375-16 x .875)	42	11
90187	SCREW (.375-16 x 1.250)	42	11	90301	PIN	20	24
9031	FLOAT	20	22	9032	SPRING	20	13
90441	PACKING SET	20	16	905201	SPACER (.750 x .250)	46	15
9054	SPRING	20	27	9060	SCREW	20	26
90949T	TUBE Exhaust	54	5	91892	GASKET	60	11
95805	CAP	52	2	96112	STUD (.250-28 x 2.00) Throttle Cable Anchor	14	18
96112	STUD (.250-28 x 2.00)	20	31	96429	GASKET Manifold to Head	62	-
96551	PUMP KIT Accelerator	20	15	96763	HOSE Water Pump to Heat Exchanger	46	16
96765	HOSE Reservoir to Exchanger	46	29	96766	HOSE Exhaust Manifold to Heat exchanger	46	28
96772A1	BRACE Power Steering Adjusting	52	10	96818	BUSHING	52	8
96878A2	RESERVOIR ASSEMBLY	46	25	96879	HOSE Housing to Water Pump	42	12
97224	J CLIP	26	4	97335	SEAL	30	8
97335	SEAL Front Cover	62	-	97661	VALVE Intake-Standard Intake	26	14
97662	VALVE Intake	26	14	97850	ELBOW 90 Degree Breather	26	7
97934	SCREW (.500-20 x 5.370) Special	40	12	98257	SCREW (.312-18 x .500)	60	4
98261	SCREW (.375-16 x .750)	10	4	98261	SCREW (.375-16 x .750)	10	13
98261	SCREW (.375-16 x .750)	24	10	98261	SCREW (.375-16 x .750)	46	7
98261	SCREW (.375-16 x .750)	58	21	98323A6	BASE ASSEMBLY	58	29
98794	SCREW (.375-16 x 1.00)	14	17	98828	SPACER	56	20
98880	SPRING	56	7	99299	SPACER (.520 x .870 x .630)	40	14
99322	SPACER	40	3	997772	GASKET Elbow	24	11
997772	GASKET Elbow	62	-	F11100604	CAP Intake Valve	26	16
NA	NOT AVAILABLE	8	11	NSS	NOT SOLD SEPARATE Bolt	32	21
NSS	NOT SOLD SEPARATE Gasket	36	7				