

**Parts Manual**

**Cat.# 90-881784004**

**Revised 09-12-2020**

# TABLE OF CONTENTS

Cat.# 90-881784004

Service and Support Material .....	1
Engine Cover .....	5
Starter and Alternator .....	7
PCM and Bracket .....	9
Lifting Brackets and Wiring Harness .....	11
Cool Fuel System .....	13
Fuel Module Components .....	15
Throttle Body Mechanical Throttle-Shift .....	17
Throttle Body Digital Throttle-Shift .....	21
Intake Manifold .....	23
Cylinder Head .....	25
Block Crankshaft, Oil Pump and Front Cover .....	29
Block Camshaft and Pistons .....	33
Oil Pan and Drain System .....	39
Flywheel Housing .....	41
Exhaust Manifold Elbow and Riser .....	43
Exhaust System Components .....	45
Cooling System Fresh Water Components .....	47
Cooling System Raw Water Components .....	49
Water Drain System .....	51
Seawater Pump .....	53
Remote Oil System .....	55
Steering Components .....	57
Drive Lube Reservoir Assembly .....	59
Shift Bracket Mechanical Shift .....	61
Shift Bracket Digital Throttle and Shift .....	63
Trim Pump Assembly Complete .....	65
Trim Pump and Motor Components .....	67
SmartCraft Sensor and Harnesses .....	69
Engine Mounts .....	71
Mercathode Kit .....	73
Gasket Set Components (27-883231A 1) Engine .....	75
Gasket Set Components (27-889924A02) Overhaul .....	77

Service and Support Material

## Service and Support Material

Ref #	Part Class	Part Number	Description	Comments	Qty	Note
-	0090	881784004	PARTS MANUAL 496 MAG Sterndrive		1	
-	0090	863161	SERVICE MANUAL		1	
-	0090	863020043	OWNERS MANUAL Mechanical Throttle and Shift		1	
-	0090	864839060	OWNERS MANUAL Digital Throttle and Shift		1	
-	0090	864839061	OWNERS MANUAL 496 Sterndrive	(SEACORE)	1	
-	0090	866050062	INSTALLATION MANUAL CD	(SEACORE)	1	
-	0037	865748	DECAL Belt Route		1	
-	0037	866759	DECAL 496 Base		1	
-	0037	866760	DECAL 496 HO		1	
-	0037	866761	DECAL Seacore Logo		1	
-	0037	864346	DECAL Flush Operation		1	
-	0000	865752A01	LONGBLOCK ASSEMBLY Base		1	[1]
-	0000	865754A01	LONGBLOCK ASSEMBLY High Output		1	[2]
-	0033	863622001	SPARK PLUG		8	
-	0035	866340Q02	FILTER Oil - Quicksilver Brand	(Quicksilver Brand)	1	[3]
-	0035	866340K01	FILTER Oil - Mercury Brand	(Mercury Branded)	1	[3]
-	0035	802893Q	FILTER Fuel/Water Separating - Quicksilver Brand Qicksilver Branded		1	[4]
-	0035	802893T	FILTER Fuel/Water Separating - Mercury Brand Mercury Branded		1	[4]
-	0027	883231A1	GASKET SET Engine		1	
-	0027	889924A02	GASKET SET Overhaul		1	
-	0092	877770K1	COOLANT MPP, 1 Gallon Mercury Branded		1	[5]
-	0092	802837Q1	OIL Quarts @ 12 Quicksilver Branded		1	[6]
-	0092	802837A1	OIL Quarts @ 12 Mercury Branded		1	[6]
-	0092	858049Q01	25W40 SD/IB OIL 1 Gallon Quicksilver Branded			[7]
-	0092	802839A1	OIL Gallons @ 6 - Mercury Brand Mercury Branded		1	[8]

**PART NOTES:**

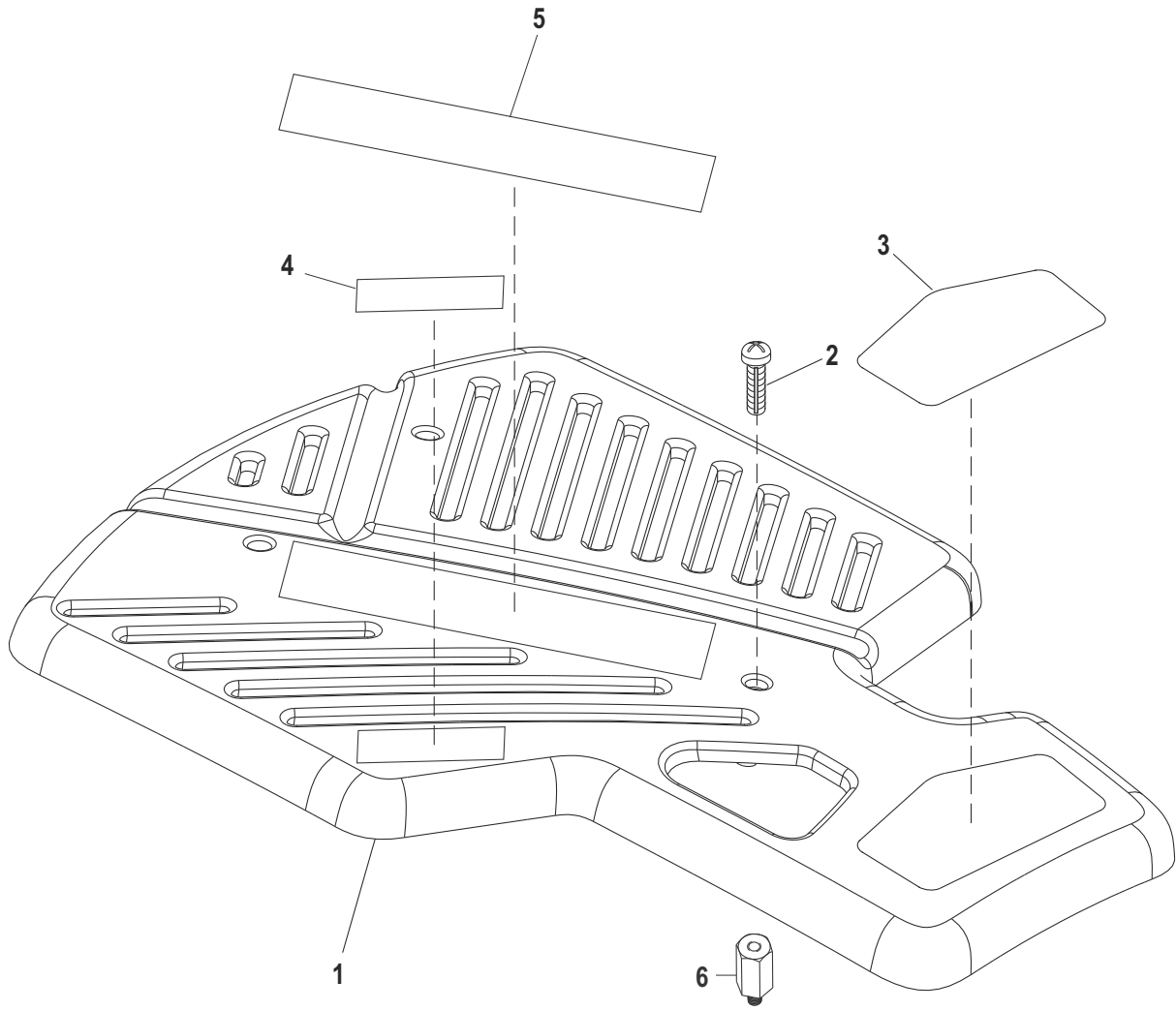
- [1] - Alternate part numbers:  
 865752A01QS  
 8M0086000Reman  
 8M0137122QS
- [2] - Alternate part numbers:  
 865754A01QS  
 8M0086001Reman  
 8M0137121QS

Service and Support Material

## Service and Support Material

- [3] - Alternate part numbers:
  - 866340K01MPP
  - 866340Q02Service Part
  - 866340Q03QS
- [4] - Alternate part numbers:
  - 802893QQS
  - 802893TMPP
  - 807172Service Part
- [5] - Alternate part numbers:
  - 877770K 1MPP
  - 877770Q 1QS
- [6] - Alternate part numbers:
  - 802837A 1MPP
  - 802837Q 1QS
- [7] - Alternate part numbers:
  - 858049K01MPP
  - 858049KC1MPP Canada
  - 858049Q01QS
  - 858049QB1QS Belgium
  - 858049QC1QS Canada
  - 8M0061422MPP Spanish
- [8] - Alternate part numbers:
  - 802839A 1MPP
  - 802839Q 1QS

Engine Cover



34389

Cat.# 90-881784004

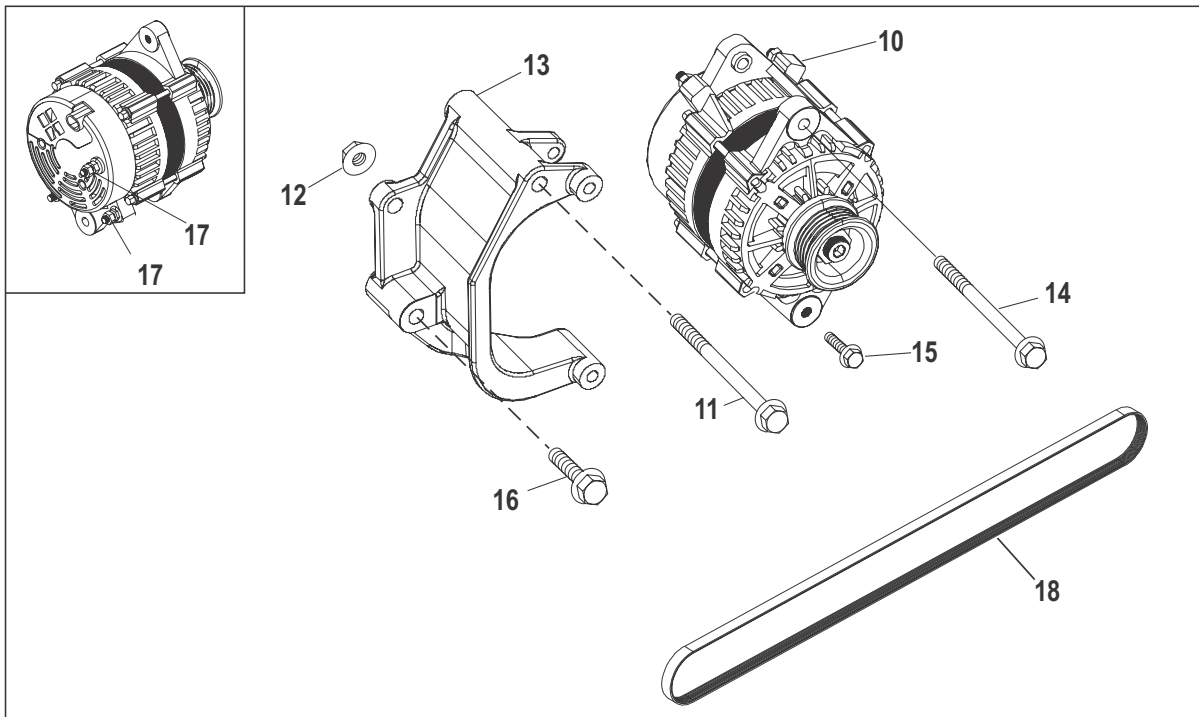
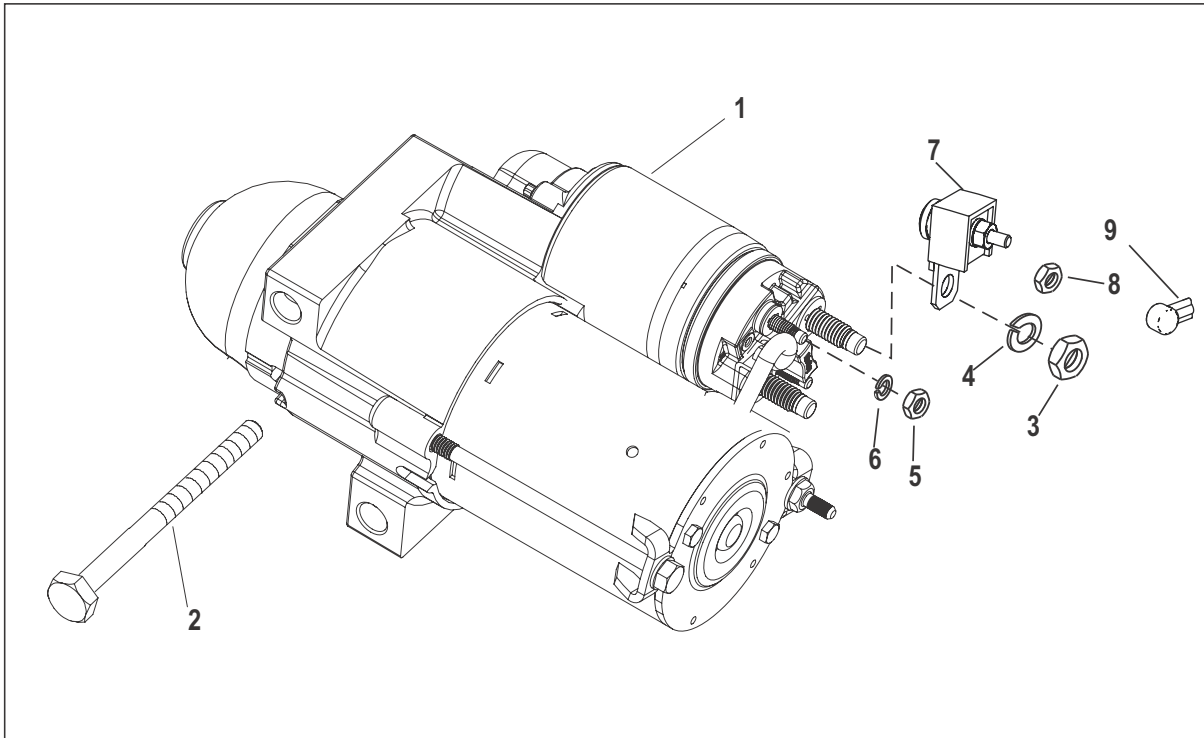
## Engine Cover

Ref #	Part Class	Part Number	Description	Comments	Qty	Note
1	0000	862365	COVER Engine		1	
2	0010	8633221	SCREW (M6 x 65) Black		3	
3	0037	863306	DECAL Base		1	
3	0037	863307	DECAL High Output		1	
4	0037	863313	DECAL Specification (Base)		1	
4	0037	863316	DECAL Specification (High Output)		1	
5	0037	863748	DECAL Mercury		1	
6	0023	863734	SPACER		3	

Engine Cover



# Starter and Alternator



13827

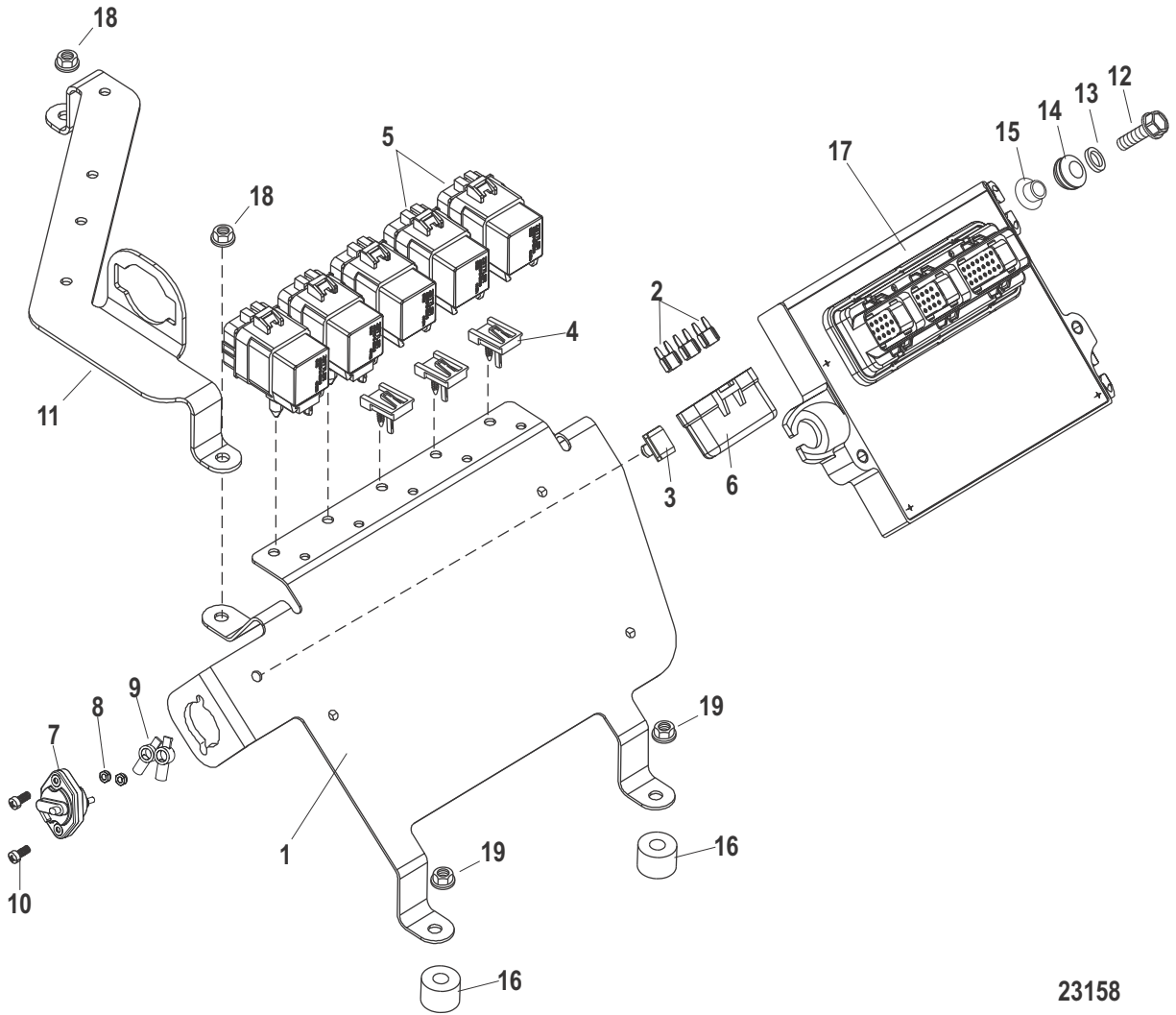
## Starter and Alternator

Ref #	Part Class	Part Number	Description	Comments	Qty	Note
1	0050	864340A2	STARTER MOTOR ASSEMBLY		1	[1]
2	0010	861788	SCREW (M10 x 1.5) Special		2	
3	0011	806949	NUT (M8-1.5)		1	
4	0013	400247	LOCKWASHER (M8)		1	
5	0011	400211	NUT (M5) Stainless Steel		1	
6	0013	26996	LOCKWASHER (#10) Stainless Steel		1	
7	0088	79023A91	FUSE ASSEMBLY 90 Ampere		1	
8	0011	8267119	NUT (.250-28)		1	
9	0085	79695	BOOT Insulator - Black		1	
10	0000	863077T	ALTERNATOR ASSEMBLY Black		1	[2]
11	0010	40108120	SCREW (M10 x 120) Hex Flange - Stainless Steel		1	
12	0011	401368	NUT (M8) Stainless Steel		1	
13	0000	865594T01	BRACKET Alternator		1	
14	0010	824459110	SCREW (M8 x 110) Stainless Steel		1	
14	0010	824459120	SCREW (M8 x 120) Stainless Steel	Axius	1	
15	0010	88552660	SCREW (M8 x 60)		1	
16	0010	4010835	SCREW (M10 x 35) Hex Flange - Stainless Steel		1	
17	0011	400212	NUT (M6) Stainless Steel		2	
18	0057	865635001	BELT Serpentine		1	
18	0057	879194Q01	BELT Serpentine	Axius	1	

## PART NOTES:

- [1] - Alternate part numbers:  
864340A 2QS  
864340R02Reman
- [2] - Alternate part numbers:  
863077R01Reman  
863077TQS

# PCM and Bracket

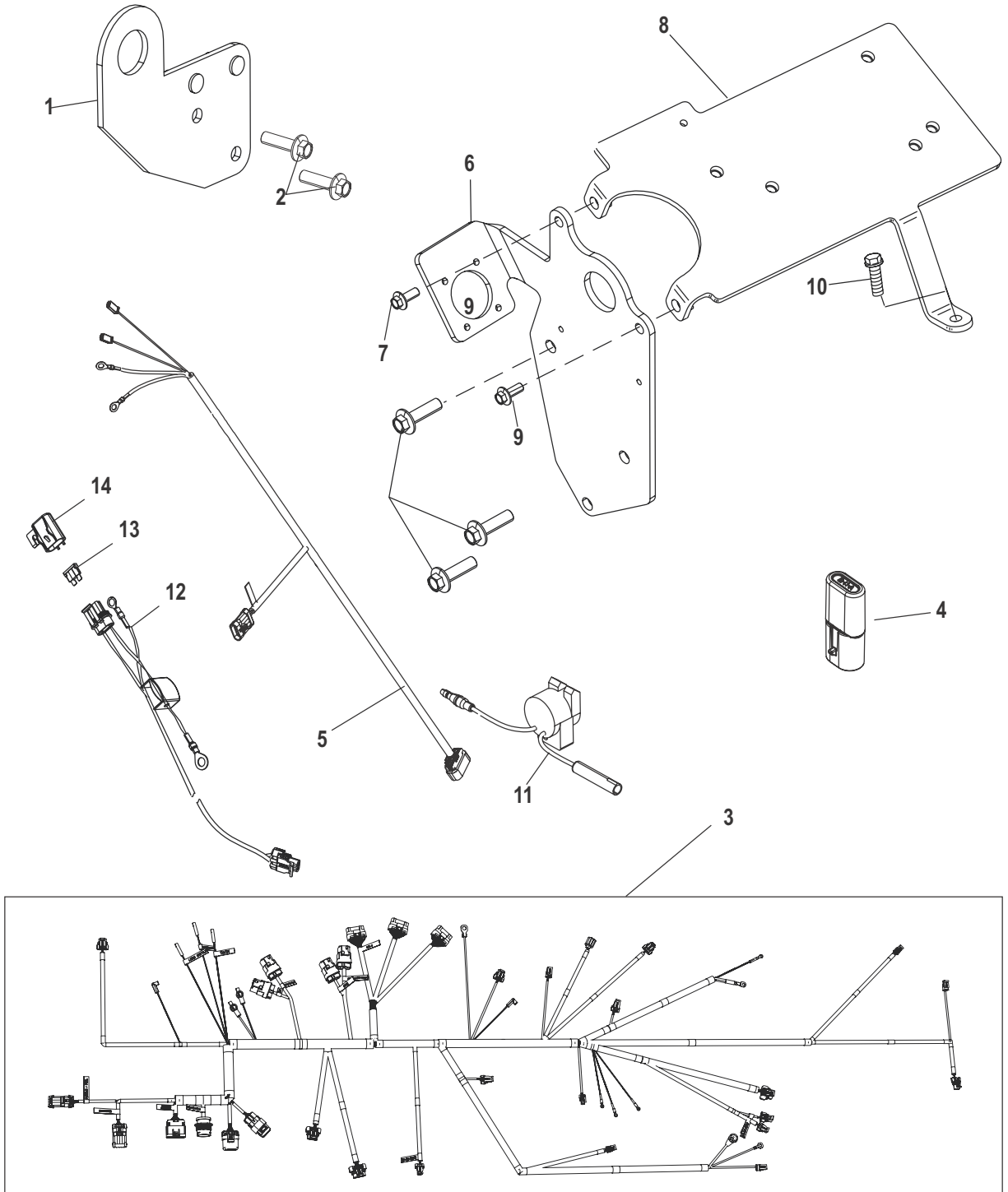


23158

## PCM and Bracket

Ref #	Part Class	Part Number	Description	Comments	Qty	Note
NS	0084	865457T06	HARNESS ASSEMBLY Engine	Mechanical Throttle and Shift	1	
NS	0084	865653T04	HARNESS ASSEMBLY Engine	Digital Throttle and Shift	1	
NS	0084	865677T01	HARNESS ASSEMBLY Transom		1	
1	0000	899719T04	BRACKET		1	
2	0088	83296915	FUSE Mini - Blue - 15 Ampere		2	
2	0088	83296920	FUSE Mini - Yellow - 20 Ampere		3	
3	0086	865205	CLIP Fuse Block Mounting		1	
4	0054	804352	CLIP Relay Mounting		3	
5	0000	882751A04	RELAY ASSEMBLY	Mechanical Throttle and Shift	4	
5	0000	882751A04	RELAY ASSEMBLY	Digital Throttle and Shift	5	
6	0000	831960	COVER Fuse	Digital Throttle and Shift	1	
6	0000	858754	COVER Fuse	Mechanical Throttle and Shift	1	
7	0088	865827T	BREAKER Circuit - 50 Ampere		1	
8	0011	826709106	NUT (#10-32) Stainless Steel		2	
9	0085	89919	BOOT Insulator - Black		2	
10	0010	830861	SCREW (#8-32 x .625)		2	
11	0000	865639T	BRACKET		1	
12	0010	82130025	SCREW (M6 x 25)		3	
13	0012	65567	WASHER (.265 x .750 x .048) Stainless Steel		3	
14	0025	834985	GROMMET		3	
15	0023	856954	BUSHING Electrical Plate		3	
16	0023	862995	SPACER		1	
17	0000	866090T04	PCM Propulsion Control Module Base	Mechanical Throttle and Shift	1	
17	0000	866361T05	PCM Propulsion Control Module Base	Digital Throttle and Shift	1	
17	0000	897345T09	PCM Propulsion Control Module Base	Axius	1	
17	0000	866091T04	PCM Propulsion Control Module High Output	Mechanical Throttle and Shift	1	
17	0000	866363T03	PCM Propulsion Control Module High Output	Digital Throttle and Shift	1	
17	0000	897345T10	PCM Propulsion Control Module High Output	Axius	1	
18	0011	4002030	NUT (M8)		2	
18	0011	400213	NUT (M8) Stainless Steel	(SEACORE)	2	
19	0011	863289	NUT (M6)		2	
19	0011	892233	NUT (M6) Stainless Steel	(SEACORE)	2	

# Lifting Brackets and Wiring Harness

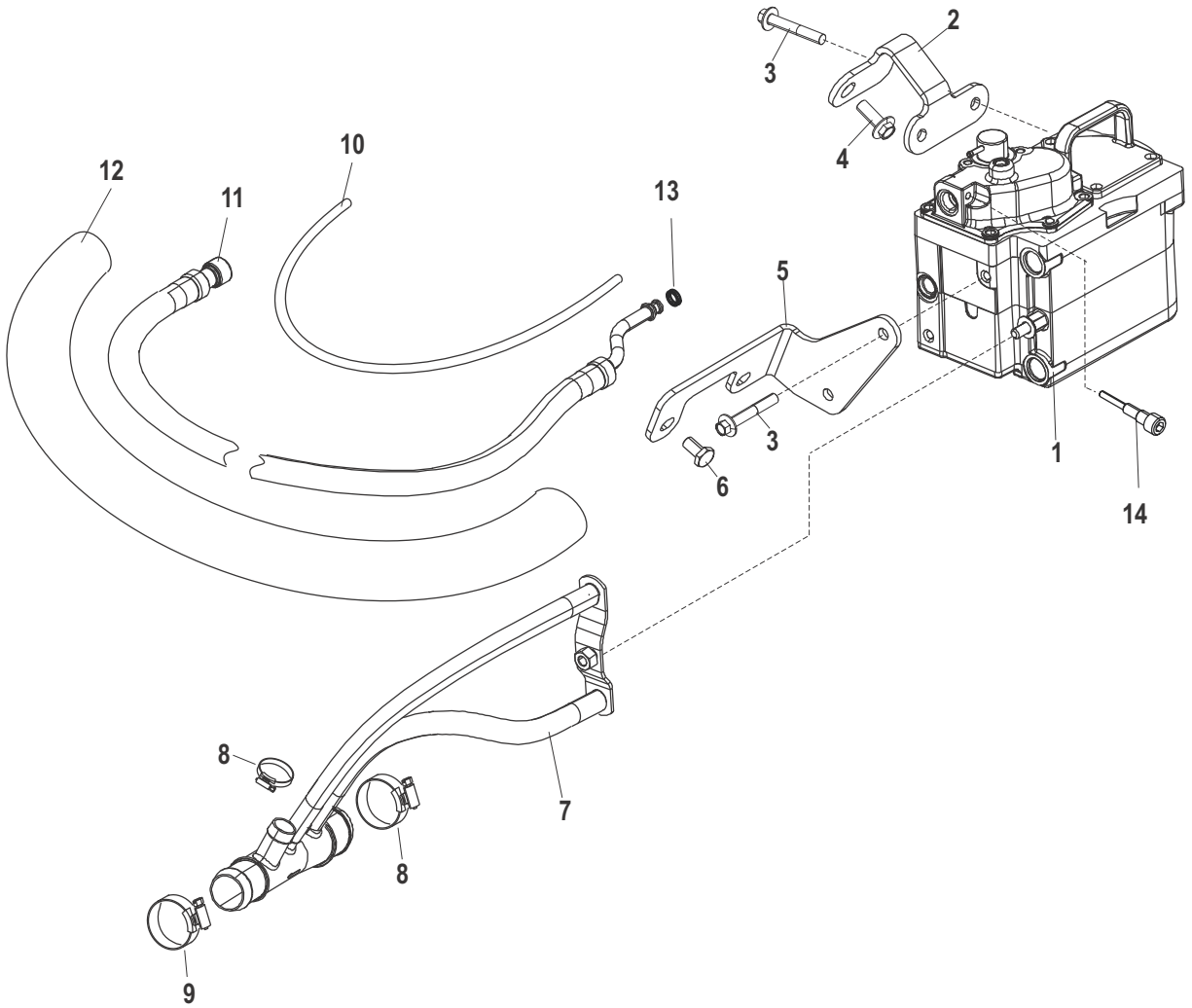


23279

## Lifting Brackets and Wiring Harness

Ref #	Part Class	Part Number	Description	Comments	Qty	Note
1	0000	862346T	BRACKET Front Lifting Eye		1	
2	0010	4010820	SCREW (M10 x 20) Hex Flange - Stainless Steel		2	
3	0084	865457T06	HARNESS ASSEMBLY Engine	Mechanical Throttle and Shift	1	
3	0084	865653T04	HARNESS ASSEMBLY Engine	Digital Throttle and Shift	1	
4	0083	865913A01	DIODE ASSEMBLY		1	
5	0084	865677T01	HARNESS ASSEMBLY Transom		1	
6	0000	862347T	BRACKET Lifting Eye, Rear		1	
7	0010	4010820	SCREW (M10 x 20) Hex Flange - Stainless Steel		3	
8	0000	8629091	BRACKET Shift		1	
9	0010	4010725	SCREW (M8 x 25)		2	
10	0010	4010716	SCREW (M8 x 16)		1	
11	0000	816492A15	ALARM KIT		1	
12	0084	888416T04	HARNESS ASSEMBLY DTS, Clean Power, 15 Feet Clean Power		1	
13	0000	862646	FUSE Tan - 5 Ampere		1	
14	0000	828054	COVER Fuse		1	

# Cool Fuel System



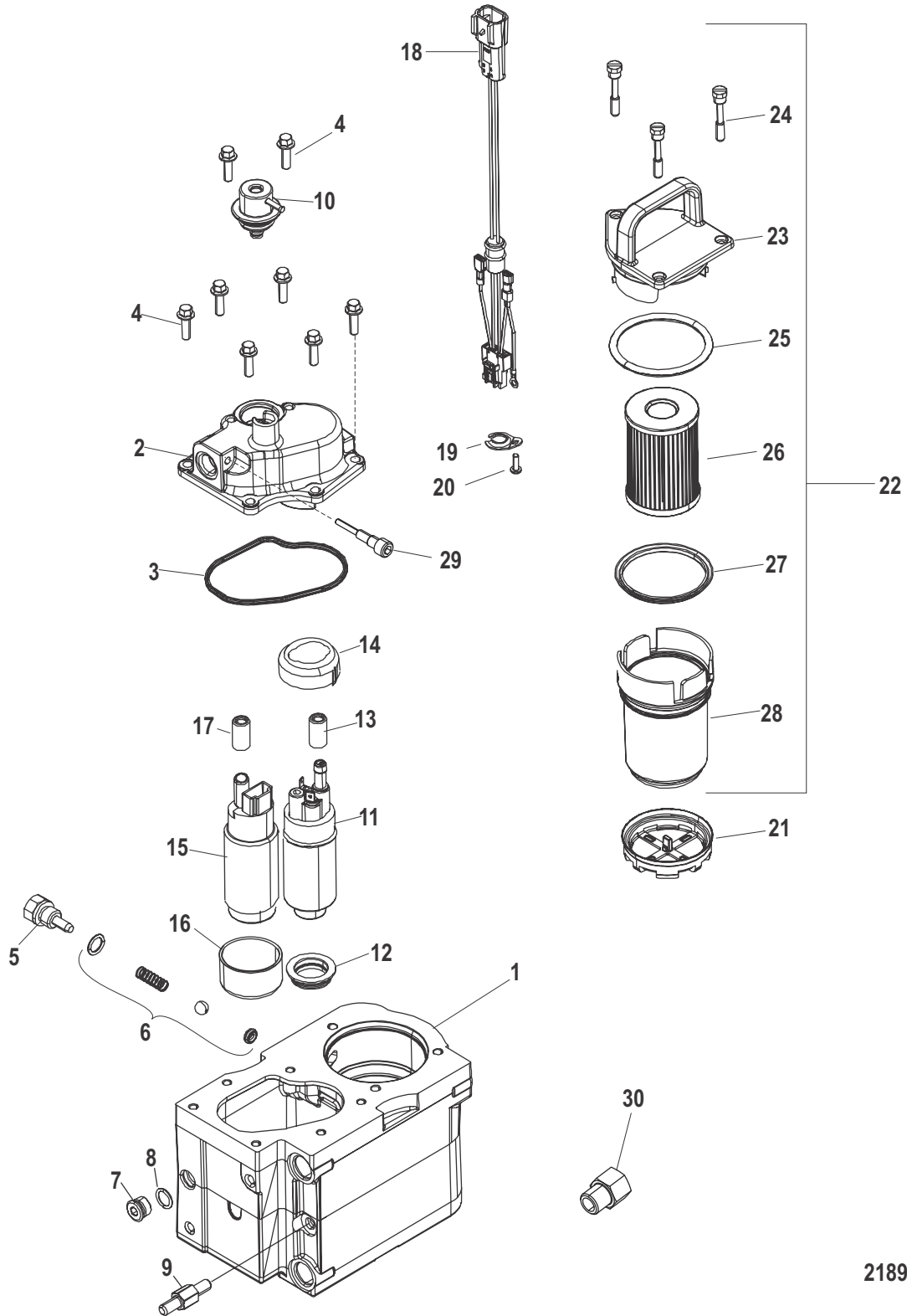
19054

## Cool Fuel System

Ref #	Part Class	Part Number	Description	Comments	Qty	Note
1	0000	864650A05	MODULE KIT Fuel Pump		1	
2	0000	864597T	BRACKET		1	
3	0010	4010720	SCREW (M8 x 20)		4	
4	0010	4010820	SCREW (M10 x 20) Hex Flange - Stainless Steel		1	
5	0000	864468T	BRACKET		1	
6	0010	40001195	SCREW (M10 x 30)		2	
7	0022	865208T01	HOSE ASSEMBLY 3 Bib Office Meter		1	
8	0054	815504212	CLAMP Worm Gear Hose		2	
9	0054	815504224	CLAMP Worm Gear		1	
10	0032	80617382	HOSE (58.00 Inches Bulk)		1	
11	0032	865257	HOSE Fuel Module to Fuel Rail		1	
12		NSS	NOT SOLD SEPARATE INSULATOR SLEEVE		1	
13	0026	863151	SEAL Quad Ring		1	
14	0010	866114	SCREW (.250-28) Special		1	



# Fuel Module Components



21898

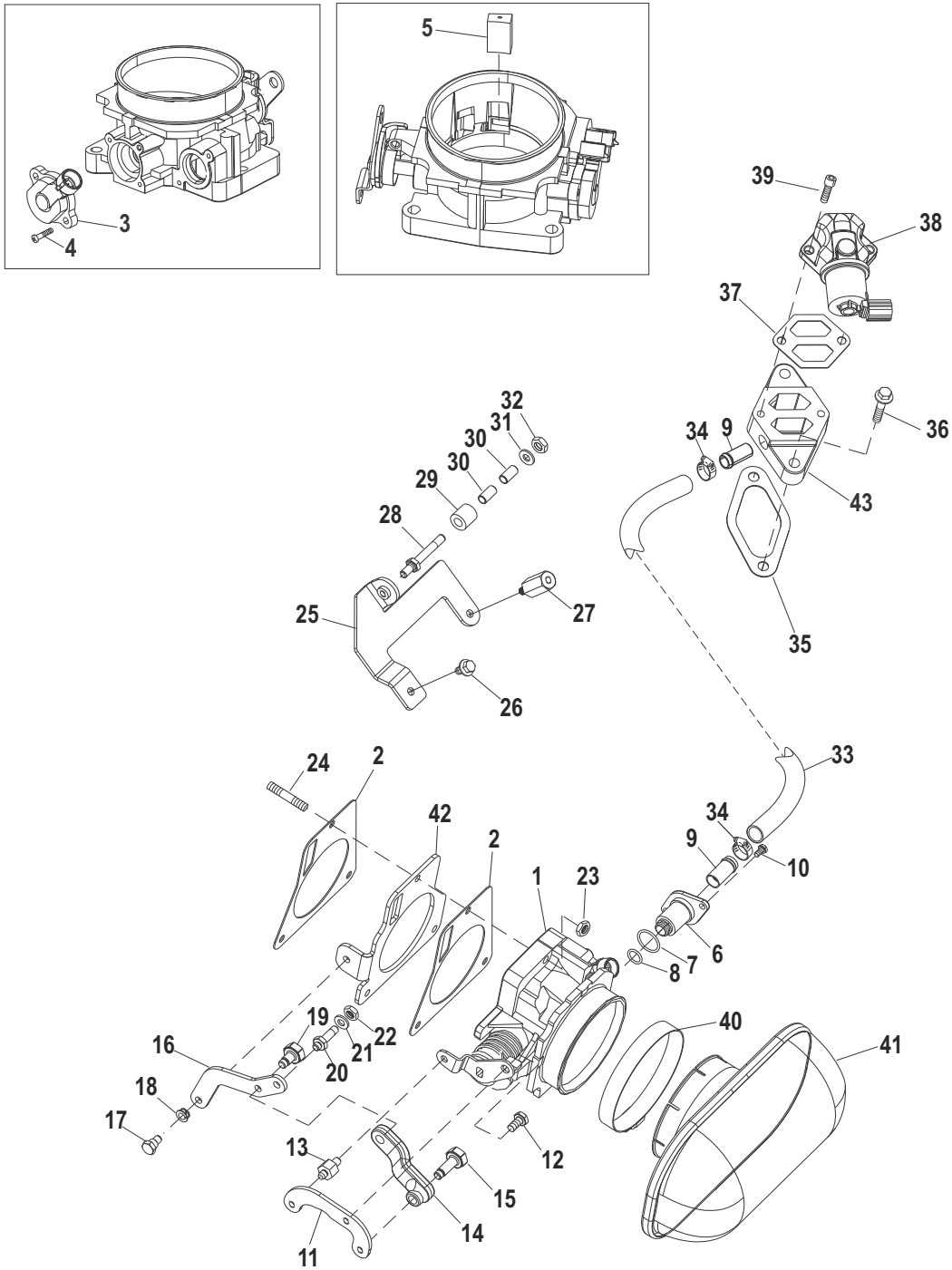
## Fuel Module Components

Ref #	Part Class	Part Number	Description	Comments	Qty	Note
-	0000	864650A05	MODULE KIT Fuel Pump Complete		1	
1	0000	892664	HOUSING Fuel Module		1	
2	0000	892677	COVER Fuel Module Housing		1	
3	0026	892683	SEAL		1	[1]
4	0010	892684	SCREW		8	
5	0000	892670A01	CHECK VALVE KIT		1	
6		NSS	NOT SOLD SEPARATE Check Valve		1	
7		NSS	NOT SOLD SEPARATE Plug		1	
8		NSS	NOT SOLD SEPARATE Seal		1	
9	0016	865326	STUD (M8 x 30)		1	
10	0000	892681	REGULATOR		1	
11	0000	866170A01	PUMP ASSEMBLY Fuel - Low Pressure		1	
12		NSS	NOT SOLD SEPARATE Seal		1	[1]
13		NSS	NOT SOLD SEPARATE Seal		1	[1]
14		NSS	NOT SOLD SEPARATE Isolator, Lift Pump		1	[1]
15	0000	866169A01	PUMP ASSEMBLY Fuel - High Pressure		1	
16		NSS	NOT SOLD SEPARATE Isolator		1	[1]
17		NSS	NOT SOLD SEPARATE Seal		1	[1]
18	0084	895013A02	HARNESS ASSEMBLY		1	
19		NSS	NOT SOLD SEPARATE Retainer		1	
20		NSS	NOT SOLD SEPARATE Screw		1	
21	0035	892665	FILTER Fuel		1	
22	0035	892687A02	CARTRIDGE ASSEMBLY Fuel Filter		1	
23		NSS	NOT SOLD SEPARATE Cap, Fuel Filter Cartridge		1	
24		NSS	NOT SOLD SEPARATE Screw		3	
25		NSS	NOT SOLD SEPARATE Seal		1	[1]
26	0035	866171A01	FILTER		1	
27		NSS	NOT SOLD SEPARATE Seal		1	[1]
28		NSS	NOT SOLD SEPARATE Cup, Fuel Filter Cartridge		1	
29	0010	866114	SCREW (.250-28) Special		1	
30	0022	88517	FITTING Reducing		1	

## PART NOTES:

[1] - Component Of Seal Kit892683A01

# Throttle Body Mechanical Throttle-Shift



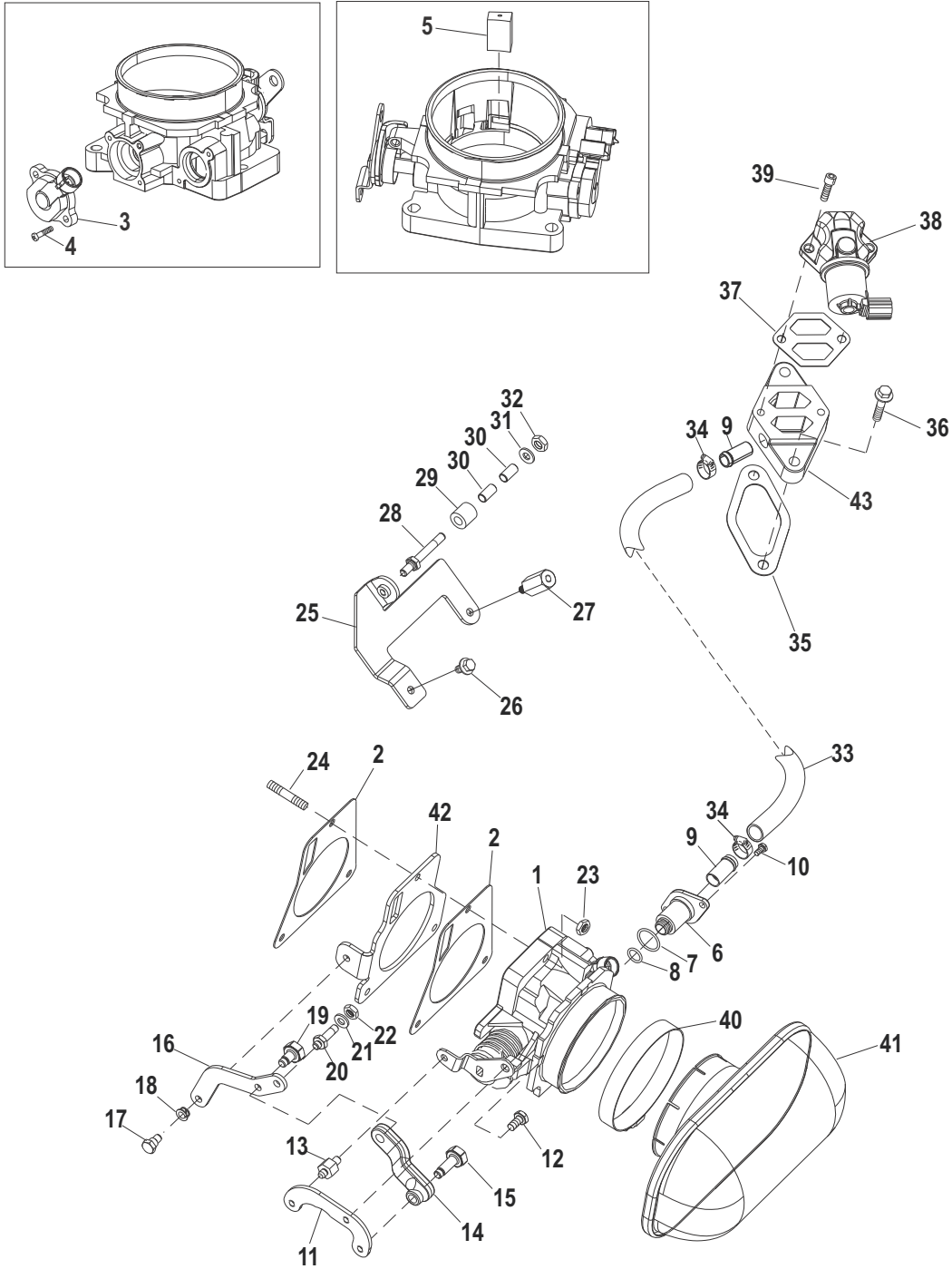
6776

## Throttle Body Mechanical Throttle-Shift

Ref #	Part Class	Part Number	Description	Comments	Qty	Note
1	0000	866576A04	THROTTLE BODY ASSEMBLY	Base	1	
1	0000	866577A04	THROTTLE BODY ASSEMBLY	High Output	1	
2	0027	863215	GASKET Throttle Body		2	[1]
3	0000	853678T	SENSOR TPS Includes O-Ring		1	
4	0010	853680	SCREW KIT		1	
5	0035	863829	MUFFLER Intake Air Control	Not used on all applications	1	
6	0000	862999A3	PLUG KIT Adaptor,Intake Air Control		1	
7	0025	808547	O-RING		1	
8	0025	863006	O-RING (10.82 x 1.78)		1	
9	0022	863427	FITTING Air Valve		1	
10	0010	805400	SCREW (#8-32 x .500) Stainless Steel		2	
11	0000	863135	LEVER Throttle		1	
12	0010	64014	SCREW (.250-28 x .500)		1	
13	0016	863345	STUD Special		1	
14	0000	863214	LINK		1	
15	0000	805533	SCREW (M8 x 35)		1	
16	0000	8631541	ARM Cable		1	
17	0010	863380	SCREW Special		1	
18	0023	97896	BUSHING Flanged		1	
19	0000	805398	PIN Primary Linkage		1	
20	0016	805526	STUD (.250-28 x 1.540)		1	
21	0012	20533	WASHER		1	
22	0011	8267139	NUT (.250-28)		1	
22	0011	826709109	NUT (.250-28) Stainless Steel	(SEACORE)	1	
23	0011	863289	NUT (M6)		3	
24	0016	802561	STUD		3	
25	0000	863153	BRACKET Throttle Cable Attaching		1	
26	0010	4006731	SCREW (M6 x 16)		1	
27	0023	863734	SPACER		1	
28	0016	97477A3	STUD KIT		1	
28	0016	866641A01	STUD KIT	(SEACORE)	1	
29		NSS	NOT SOLD SEPARATE Spacer, Special		1	
30	0023	31866	SPACER (.256 x .313 x .625)		2	
31	0012	20533	WASHER		1	
32	0011	8267139	NUT (.250-28)		1	
32	0011	826709109	NUT (.250-28) Stainless Steel	(SEACORE)	1	
33	0032	864262	HOSE Air Bypass		1	
34	0054	815504206	CLAMP Worm Gear		2	
NS	0019	8079923	COVER Hose Clamp End		2	
35	0027	863285	GASKET Air Valve		1	[1]
36	0010	40011151	SCREW (M8 x 35) Stainless Steel		2	
37	0027	863112	GASKET Idle Air Valve		1	[1]
38	0000	862998	VALVE Idle Air		1	

Throttle Body Mechanical Throttle-Shift

# Throttle Body Mechanical Throttle-Shift



6776

**Cat.# 90-881784004**

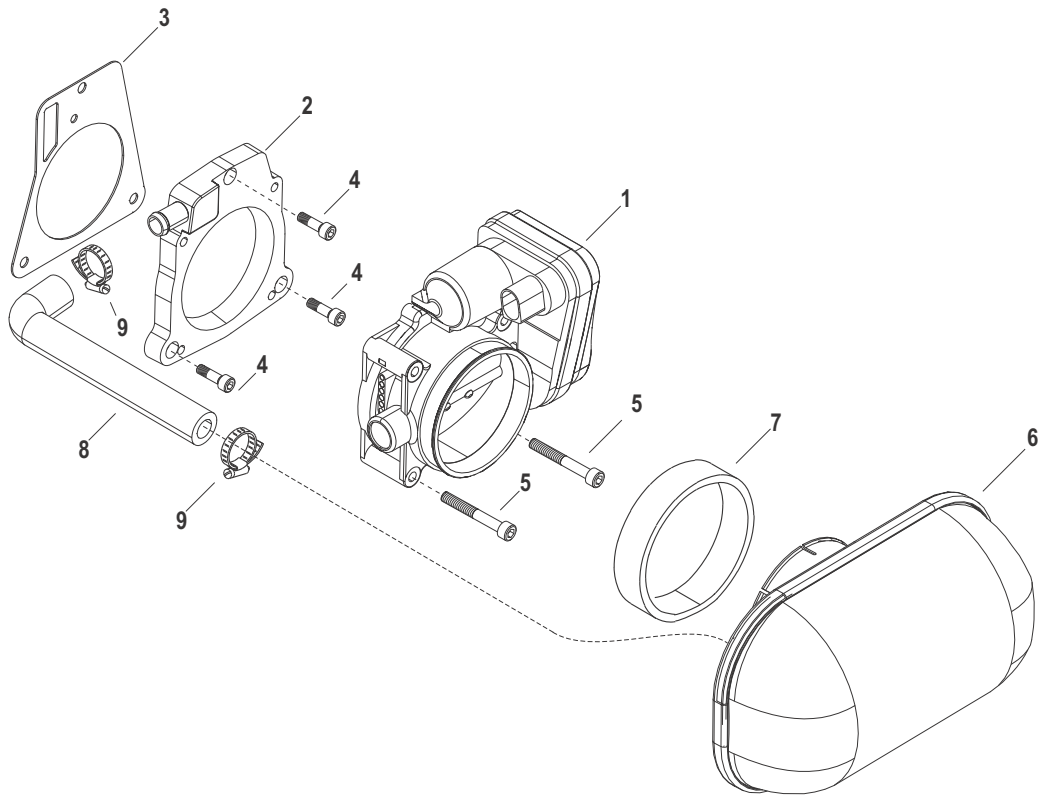
## Throttle Body Mechanical Throttle-Shift

Ref #	Part Class	Part Number	Description	Comments	Qty	Note
39	0010	4008820	SCREW (M6 x 20)		2	
40	0054	863393	CLAMP Flame Arrestor		1	
41	0000	863085T	FLAME ARRESTOR		1	
42	0000	862996	BRACKET Throttle Linkage		1	
43	0000	862997A1	MOUNTING PLATE Intake Air Control		1	

**PART NOTES:**

[1] - Component Of Engine Gasket Set889924A02

# Throttle Body Digital Throttle-Shift



1669

Cat.# 90-881784004

## Throttle Body Digital Throttle-Shift

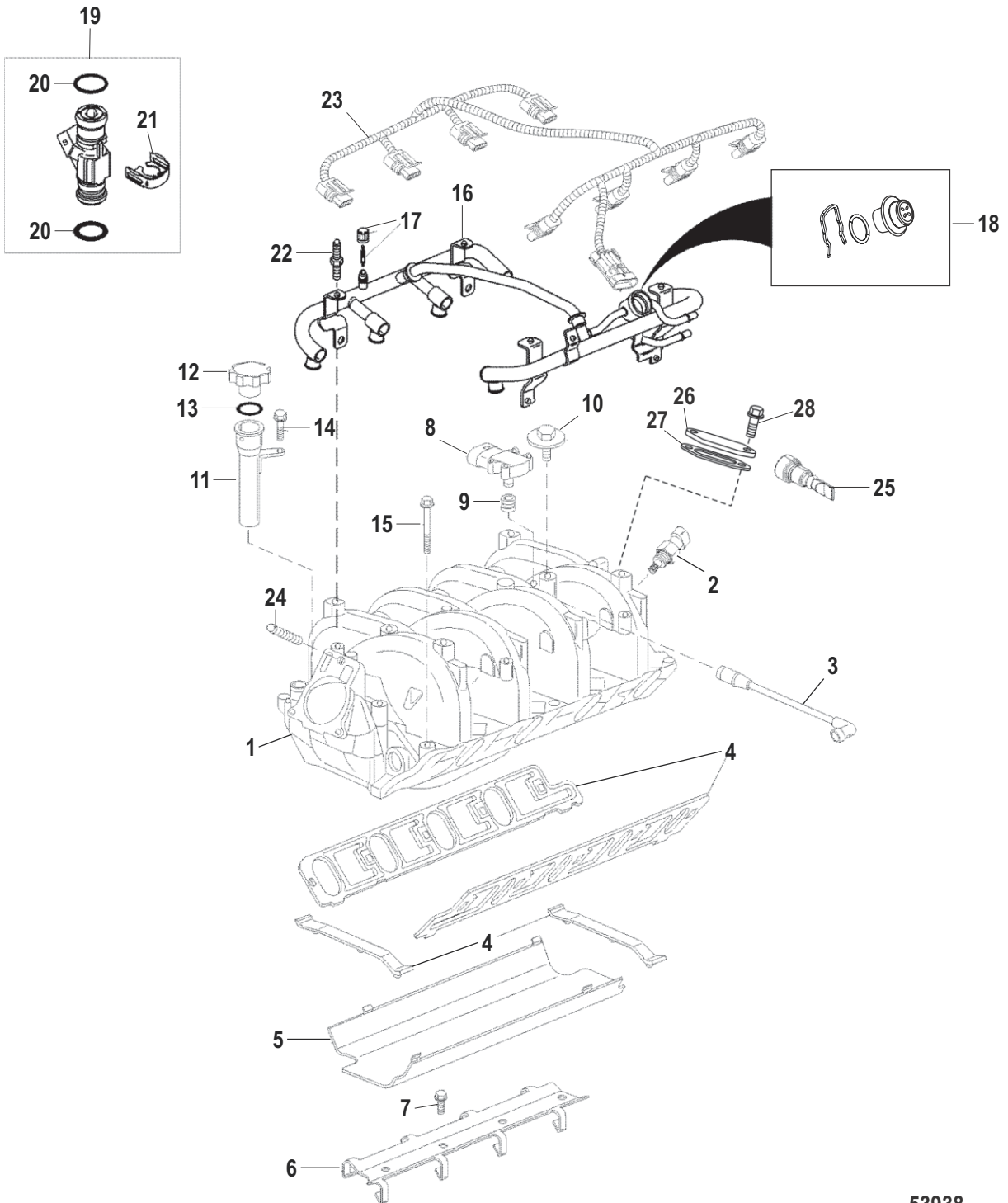
Ref #	Part Class	Part Number	Description	Comments	Qty	Note
1	0000	866592A04	THROTTLE BODY ASSEMBLY	(Digital)	1	
2	0000	862538T	ADAPTER Throttle Body		1	
3	0027	863215	GASKET		1	
4	0010	4008820	SCREW (M6 x 20)		3	
5	0010	4008845	SCREW (M6 x 45)		4	
6	0000	862537T	FLAME ARRESTOR		1	
7	0054	863393	CLAMP		1	
8	0032	864668	HOSE		1	
9	0054	815504206	CLAMP Worm Gear		2	

---

Throttle Body Digital Throttle-Shift



# Intake Manifold



53938

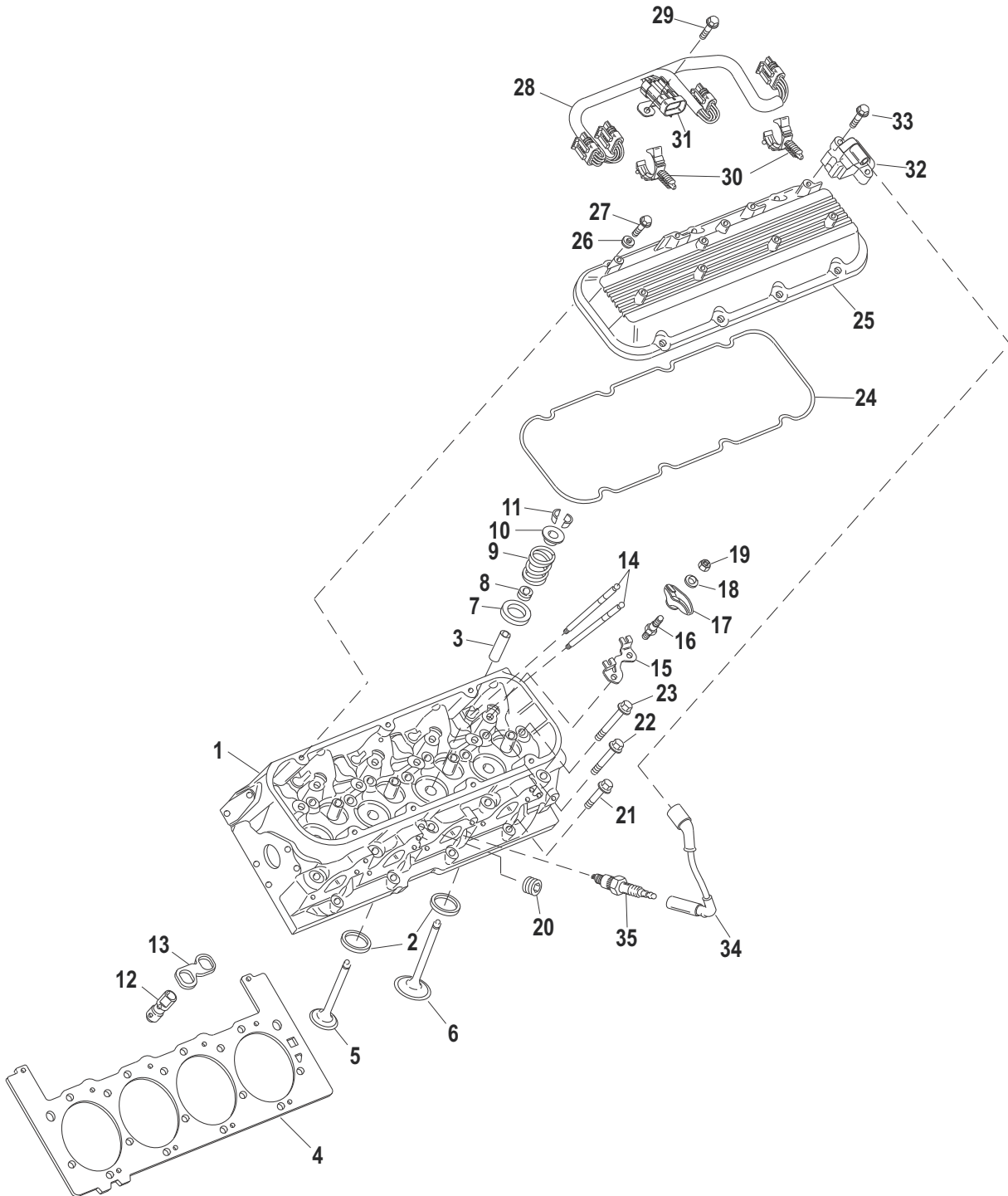
## Intake Manifold

Ref #	Part Class	Part Number	Description	Comments	Qty	Note
1	0000	881690001	MANIFOLD Intake		1	[1]
2	0000	805223T	SENSOR Manifold Air Temperature		1	
3	0032	881734	HOSE Fuel Pressure Regulator		1	[1]
4	0027	895235	GASKET SET Intake Manifold and Valley		1	[2]
5	0000	881689	SHIELD Oil Splash		1	[1]
6	0000	845755	RETAINER Valve Lifter Guide		1	[1]
7	0010	881570	SCREW (M8 x 25 MM)		7	[1]
8	0000	881731	SENSOR Manifold Air Pressure		1	[1]
9	0025	881733	SEAL M.A.P. Sensor		1	[1]
10	0010	881646	SCREW (M6 x 20)		1	[1]
11	0000	864996	TUBE Oil Fill		1	[1]
12	0000	864997	CAP Oil Fill Tube		1	[1]
13		NSS	NOT SOLD SEPARATE SEAL-Oil Fill Cap		1	[1]
14	0010	881645	BOLT (M6 x 20) Oil Fill Tube		1	[1]
15	0010	895234	SCREW (M6 x 73)		10	[1]
16	0000	881691002	FUEL RAIL Fuel Injection		1	[1]
17	0022	802631	VALVE AND CAP KIT Fuel Pressure Service		1	[1]
18	0000	8M0046753	REGULATOR KIT Fuel Pressure		1	
19	0000	881693	INJECTOR 3 hole pintle		8	
19	0000	881693001	INJECTOR 2 hole pintle		8	[1]
20	0025	881694001	SEAL KIT		1	[1]
21	0000	881695	RETAINER KIT Fuel Injector		1	[1]
22	0016	881968	STUD Fuel Injection Rail		2	[1]
23	0084	881697	HARNES ASSEMBLY Fuel Injection Wiring		1	[1]
24	0016	802561	STUD Throttle Body		3	[1]
25	0022	8623601	PLUG Fuel Rail Outlet	Use with Design-I Regulator	1	
26	0000	881725	PLATE Block Off	(Digital Throttle Shift)	1	
27	0027	863285	GASKET	(Digital Throttle Shift)	1	
28	0010	881586	SCREW (M8 x 30)	(Digital Throttle Shift)	2	

## PART NOTES:

- [1] - Component Of Longblock Assembly-High Output865754A01  
Component Of Longblock Assembly-Base865752A01
- [2] - Component Of Engine Gasket Set889924A02  
Component Of Longblock Assembly-High Output865754A01  
Component Of Longblock Assembly-Base865752A01

# Cylinder Head



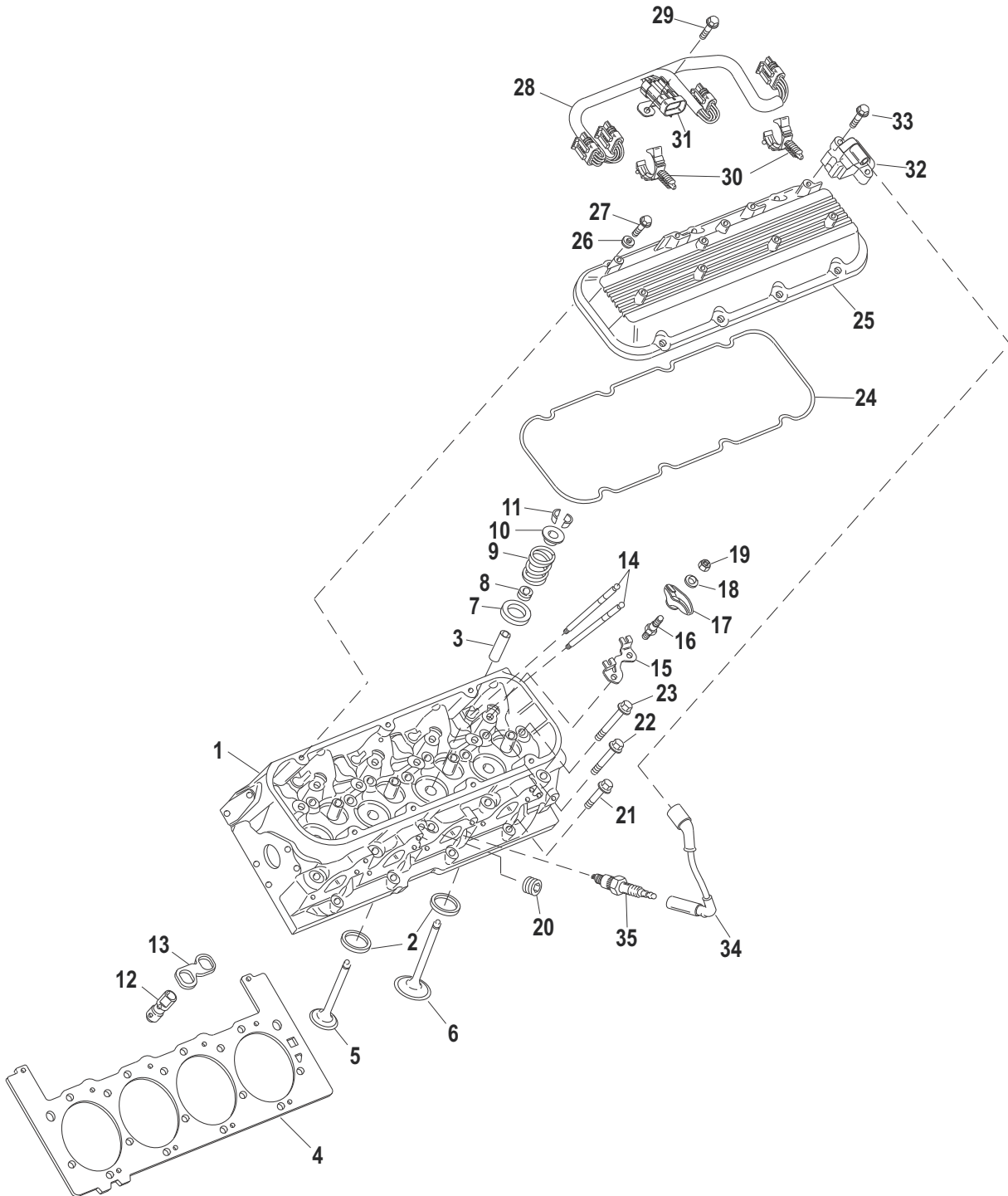
6777

## Cylinder Head

Ref #	Part Class	Part Number	Description	Comments	Qty	Note
1	0938	881684001	CYLINDER HEAD	Starboard	1	[1]
1	0938	881685001	CYLINDER HEAD	Port	1	[2]
2		NSS	NOT SOLD SEPARATE Seat			[3]
3		NSS	NOT SOLD SEPARATE Guide, Valve			[3]
4	0027	881631001	GASKET Cylinder Head	Port	1	[3]
4	0027	881632	GASKET Cylinder Head	Starboard	1	[3]
5	0000	881674	VALVE Intake	Standard	8	[3]
5	0000	881675	VALVE Intake	(.003) Over Size	AR	
5	0000	881676	VALVE Intake	(.015) Over Size	AR	
5	0000	881677	VALVE Intake	(.030) Over Size	AR	
6	0000	891713	VALVE Exhaust	Standard	8	[3]
6	0000	881679	VALVE Exhaust	(.003) Over Size	AR	
6	0000	881680	VALVE Exhaust	(.015) Over Size	AR	
6	0000	881681	VALVE Exhaust	(.030) Over Size	AR	
7	0000	850463	ROTATOR Valve		8	[3]
8	0026	881637	SEAL Valve Stem Oil		16	[4]
9	0024	881672001	SPRING Valve		16	[3]
10	0000	850464	CAP Valve Spring		8	[3]
11	0028	54530	KEY Valve Stem		32	[3]
12	0000	850467	LIFTER Valve		16	[3]
13	0000	845754	GUIDE Valve Lifter		8	[3]
14	0000	881682	PUSH ROD	Intake	8	[3]
14	0000	881683	PUSH ROD	Exhaust	8	[3]
15	0000	881686	GUIDE Rocker Arm		8	[3]
16	0016	881635	STUD		16	[3]
17	0000	881687	ARM		16	[3]
18	0000	58041	BALL		16	[3]
19	0011	801883	NUT		12	[3]
20	0022	75983	PLUG		2	[3]
21	0010	881642A01	BOLT KIT		1	[3]
22		NSS	NOT SOLD SEPARATE SCREW(M10x86)	Component Of 881642A01	AR	
23		NSS	NOT SOLD SEPARATE SCREW (M10x103)	Component Of 881642A01	AR	
24	0027	881622	GASKET Cylinder Head Cover		2	[5]
25	0000	891870	COVER Cylinder Head		2	[3]
26	0027	881621	GASKET		14	[3]
27	0010	881623	SCREW (M6 x 1)		14	[3]
28	0084	891886	HARNES ASSEMBLY Ignition Coil Wiring		2	[3]
29	0010	881648	BOLT (M6 x 13)		4	[3]
30	0054	881722	CLIP Wiring Harness		2	[3]
31	0086	881723	CONNENCTOR Harness to Harness		1	[3]
32	0392	889925	COIL Ignition		8	[3]
33	0010	881647	SCREW		16	[3]

Cylinder Head

# Cylinder Head



6777

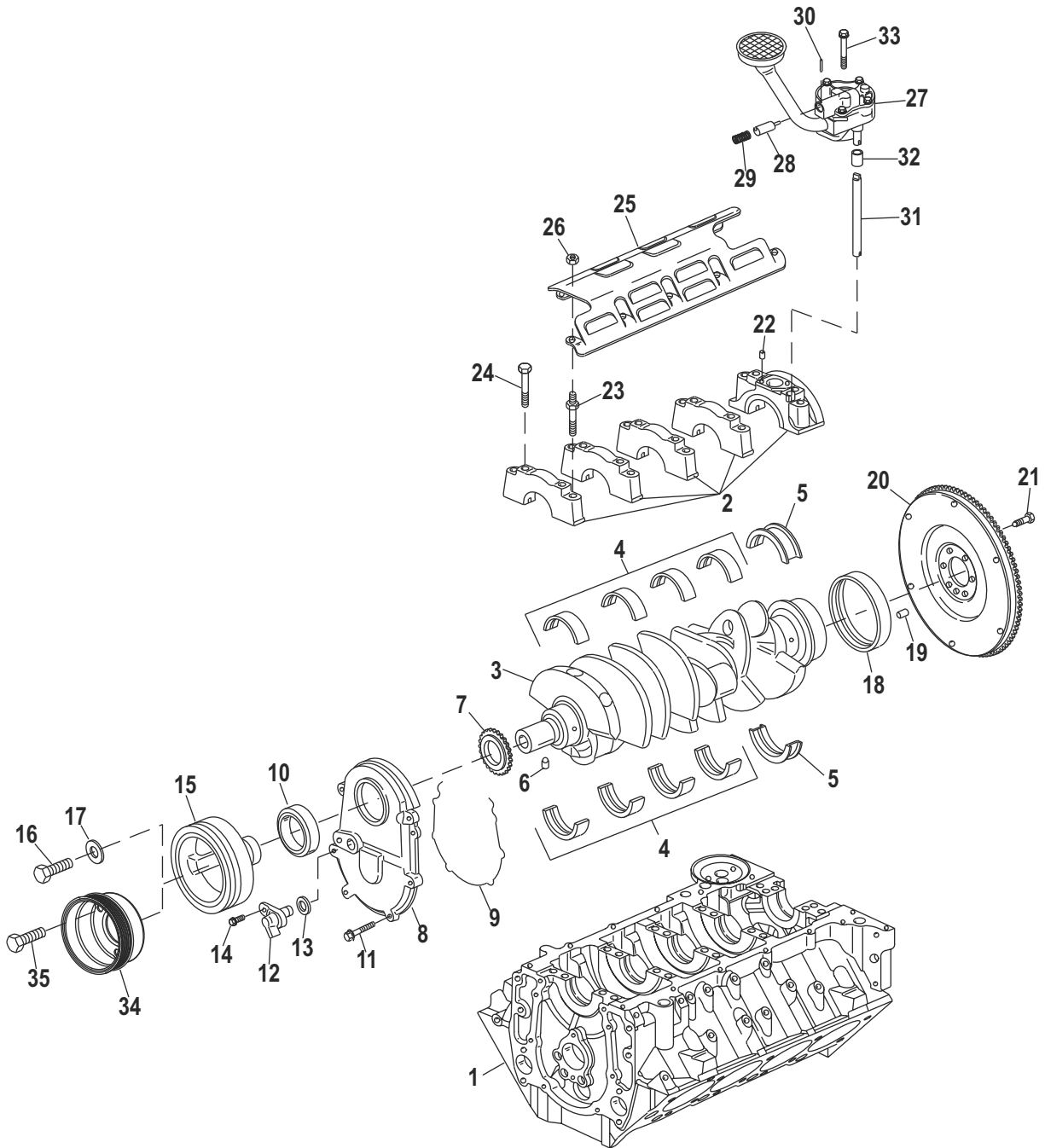
# Cylinder Head

Ref #	Part Class	Part Number	Description	Comments	Qty	Note
34	0084	881698	WIRE KIT (8 Leads) Spark Plug		1	[3]
34	0084	888740	WIRE Individual Spark Plug	Use with Cylinders 1, 2, 7 and 8	4	
34	0084	888741	WIRE Individual Spark Plug	Use with Cylinders 3, 4, 5 and 6	4	
35	0033	863622001	SPARK PLUG		8	[3]
NS	0000	881720	RETAINER 2 Spark Plug Wire		AR	
NS	0000	883924	RETAINER Conduit		AR	

**PART NOTES:**

- [1] - Alternate part numbers:  
 881684001QS  
 8M0091709Kit  
 Component of Longblock Assembly-High Output 865754A01  
 Component of Longblock Assembly-Base 865752A01
- [2] - Alternate part numbers:  
 881685001QS  
 8M0090760Kit  
 Component of Longblock Assembly-High Output 865754A01  
 Component of Longblock Assembly-Base 865752A01
- [3] - Component of Longblock Assembly-High Output 865754A01  
 Component of Longblock Assembly-Base 865752A01
- [4] - Component of Engine Gasket Set 889924A02  
 Component of Longblock Assembly-High Output 865754A01  
 Component of Longblock Assembly-Base 865752A01
- [5] - Component of Engine Gasket Set 883231A 1  
 Component of Longblock Assembly-High Output 865754A01  
 Component of Longblock Assembly-Base 865752A01

# Block Crankshaft, Oil Pump and Front Cover



4819

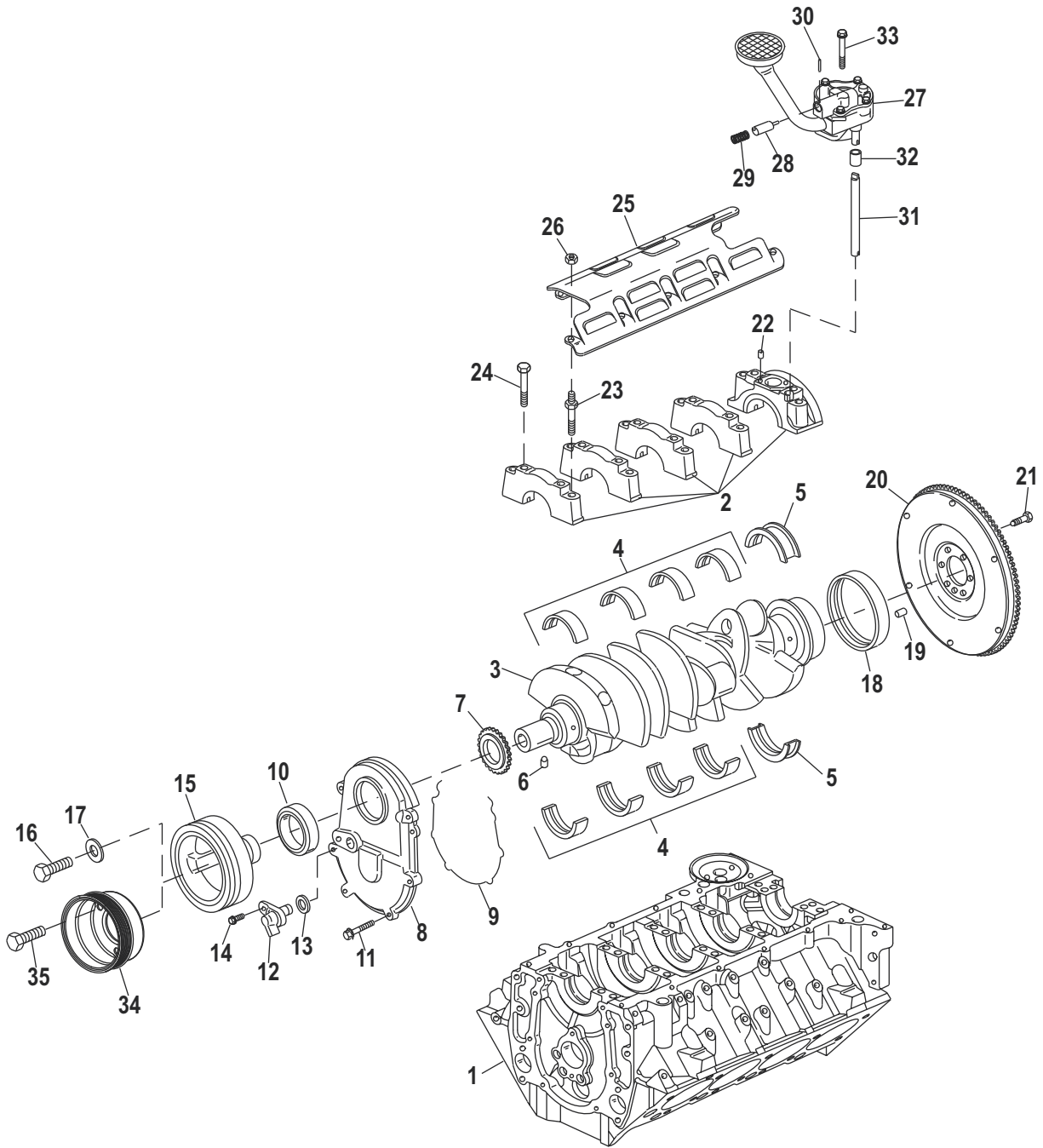
## Block Crankshaft, Oil Pump and Front Cover

Ref #	Part Class	Part Number	Description	Comments	Qty	Note
NS	0000	865752A01	LONGBLOCK ASSEMBLY Base		1	[1]
NS	0000	865754A01	LONGBLOCK ASSEMBLY High Output		1	[2]
1		NSS	NOT SOLD SEPARATE Block, Engine	Order Longblock Assembly	1	
2		NSS	NOT SOLD SEPARATE Cap, Crankshaft Bearing		5	[3]
3	0429	881654001	CRANKSHAFT		1	[3]
4	0023	884702	BEARING KIT		4	[3]
5	0023	881607	BEARING KIT Crankshaft Main Thrust		1	[3]
6	0017	881605	PIN Balancer Locating		1	[3]
7	0043	881655	SPROCKET Crankshaft		1	[3]
8	0000	892616001	COVER Front		1	[3]
9	0027	881604	GASKET Front Cover		1	[4]
10	0026	881613001	SEAL Front Crankshaft		1	[4]
11	0010	881577001	SCREW (M6 x 30)		6	[3]
12	0000	892615001	SENSOR Camshaft Position		1	[3]
13		NSS	NOT SOLD SEPARATE Seal, Camshaft Position Sensor		1	[3]
14	0010	881594	SCREW (M6 x 20)		1	[3]
15	0000	891769	BALANCER Crankshaft		1	
16	0010	881587	SCREW (M16 x 1.5)		1	[3]
17	0012	881614	WASHER		1	[3]
18	0026	881608001	SEAL Rear Crankshaft		1	[4]
19	0017	881609	PIN Flywheel Locating		2	[3]
20	0222	881640T01	FLYWHEEL	Base and High Output	1	[3]
21	0010	881578	BOLT		6	[3]
22	0017	843378	PIN Dowel Oil Pump Locating		1	[3]
23	0016	881615	STUD Crankshaft Bearing Cap		10	[3]
24	0010	881580	SCREW (M12 x 89)		10	[3]
25	0000	883236	DEFLECTOR Oil		1	[3]
26	0011	881579	NUT		9	[3]
27	0000	881652	PUMP With Screen Oil		1	[3]
28	0017	881611	PIN Oil Pump		1	[3]
29	0024	881610	SPRING Oil Pump		1	[3]
30	0022	881643	VALVE Pressure Relief		1	[3]
31	0000	14761	SHAFT AND RETAINER Oil Pump Drive		1	[3]
32	0023	36183	RETAINER Oil Pump Drive		1	[3]
33	0010	881585	SCREW (M10 x 60)		1	[3]
34	0000	862349	PULLEY Crankshaft		1	[3]
35	0010	4009025	SCREW (M10 x 25) Stainless Steel		3	[3]

Block Crankshaft, Oil Pump and Front Cover



# Block Crankshaft, Oil Pump and Front Cover



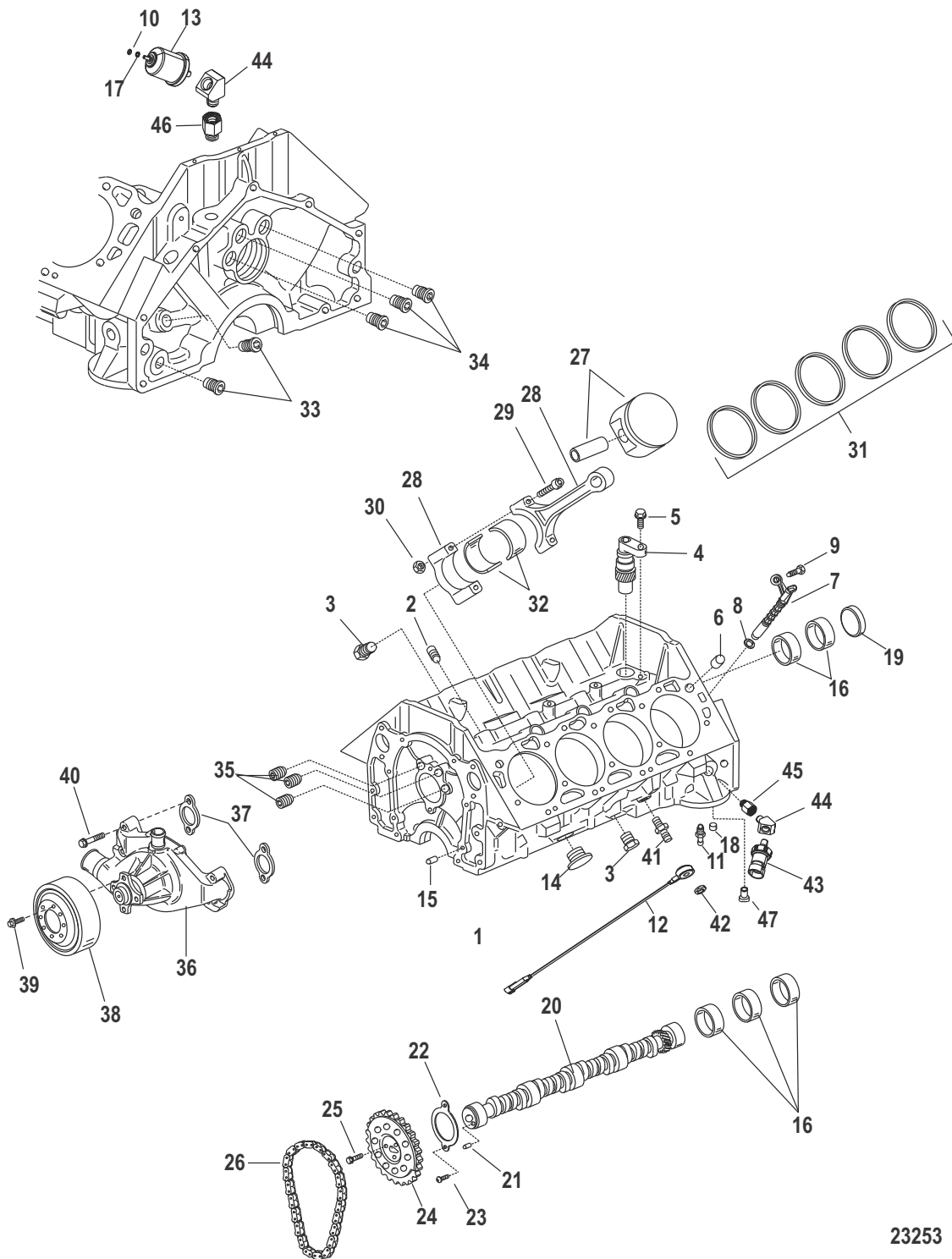
4819

## Block Crankshaft, Oil Pump and Front Cover

**PART NOTES:**

- [1] - Alternate part numbers:
  - 865752A01QS
  - 8M0086000Reman
  - 8M0137122QS
- [2] - Alternate part numbers:
  - 865754A01QS
  - 8M0086001Reman
  - 8M0137121QS
- [3] - Component Of Longblock Assembly-High Output865754A01  
Component Of Longblock Assembly-Base865752A01
- [4] - Component Of Engine Gasket Set889924A02  
Component Of Longblock Assembly-High Output865754A01  
Component Of Longblock Assembly-Base865752A01

# Block Camshaft and Pistons



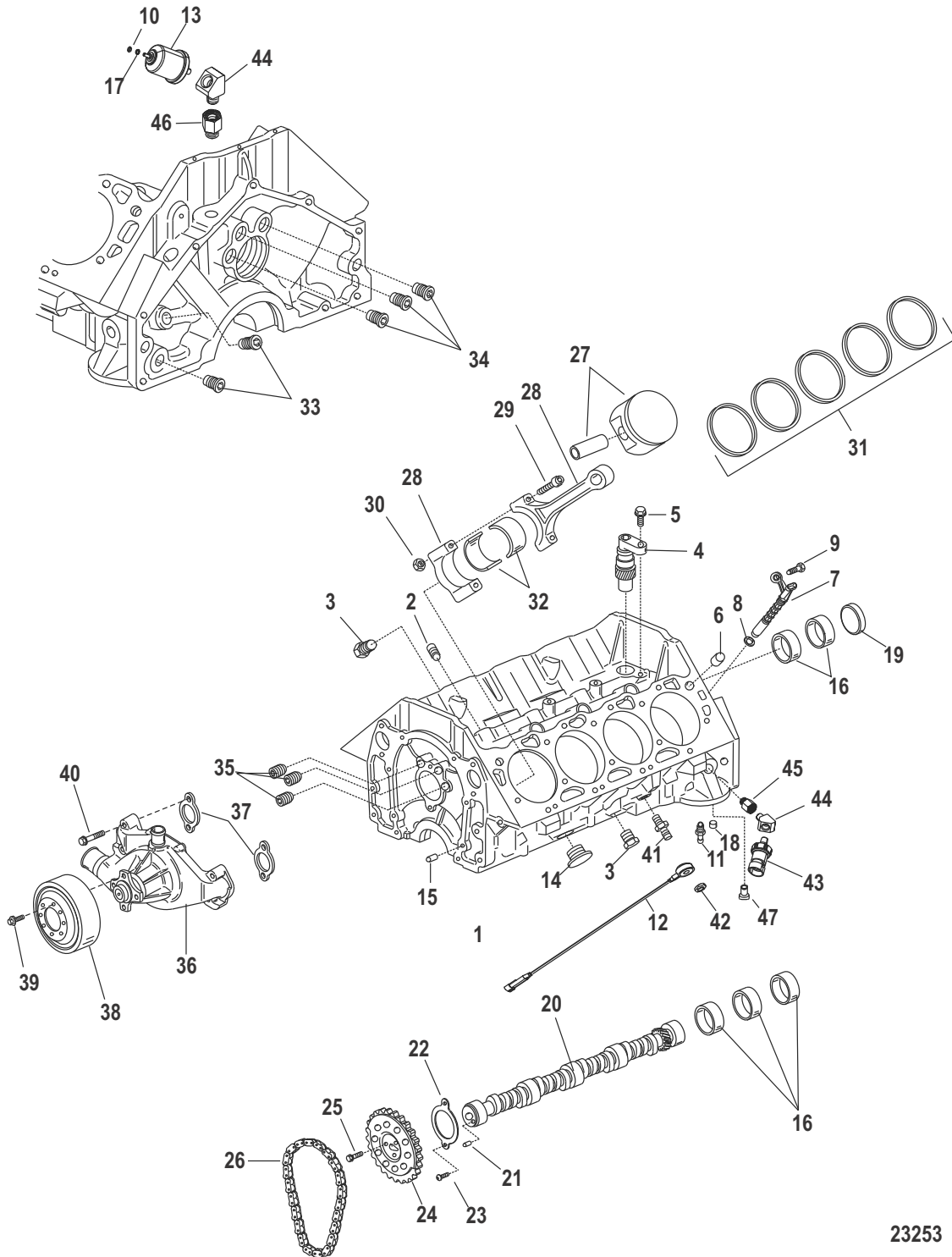
23253

## Block Camshaft and Pistons

Ref #	Part Class	Part Number	Description	Comments	Qty	Note
NS	0000	865752A01	LONGBLOCK ASSEMBLY		1	[1]
NS	0000	865754A01	LONGBLOCK ASSEMBLY		1	[2]
1		NSS	NOT SOLD SEPARATE Block, Engine	Order Longblock Assembly	1	[3]
2	0022	48341	PLUG (.125-27 x .375) Oil Galley		3	[3]
3	0022	883919	PLUG Coolant Drain		1	[3]
4	0000	881669	DRIVE Oil Pump Oil Pump		1	[3]
5	0010	881590	SCREW (M8 x 20) Oil Pump		1	[3]
6	0017	52190	PIN Cylinder Head Locating		4	[3]
7	0000	892617	SENSOR Crankshaft Position		1	[3]
8		NSS	NOT SOLD SEPARATE Seal, Crankshaft Position Sensor		1	[3]
9	0010	881595	SCREW (M6 x 21) Crankshaft Position Sensor		1	[3]
10	0011	68219	NUT (#10-32) Stainless Steel		1	[3]
11	0022	805563	CONNECTOR (.500 Inch NPTF To .500 Inch Inverted Flare) Oil Hose		1	[3]
12	0000	878187	SENSOR ASSEMBLY Knock		2	[3]
13	0000	815425T	SENDER ASSEMBLY Oil Pressure		1	
14	0022	48340	PLUG (.250-18 x .41) Oil Galley		1	[3]
14	0019	34487	PLUG (.375-18 x .42) Pipe, Oil Galley		2	[3]
14	0022	48341	PLUG (.125-27 x .375) Oil Galley		AR	[3]
14	0022	881568	PLUG Engine Coolant		1	[3]
14	0022	881569	PLUG (.250-18 x .54) Engine Coolant		1	[3]
15	0017	843378	PIN Dowel		1	[3]
16	0023	85684	BEARING SET		1	[3]
17	0013	26996	LOCKWASHER (#10) Stainless Steel		1	
18	0022	38407	PLUG (.500-14) Pipe		1	
19	0019	94140	EXPANSION PLUG Camshaft Bearing Hole		1	[3]
20	0431	881627	CAMSHAFT	Base	1	[4]
20	0431	881628	CAMSHAFT	High Output	1	[5]
21	0017	843378	PIN Dowel Camshaft Sprocket Location		1	[3]
22	0000	845941	RETAINER Camshaft		1	[3]
23	0010	881588	SCREW		1	[3]
24	0000	892640001	SPROCKET Camshaft		1	[3]
25	0010	881570	SCREW (M8 x 25 MM)		3	[3]
26	0000	881626	CHAIN Camshaft Timing		1	[3]
27	0735	881592002	PISTON ASSEMBLY Standard/Floating Design Starboard		4	[3]
27	0735	881592001	PISTON ASSEMBLY Standard/Floating Design Starboard		4	[3]
27	0735	883515002	PISTON ASSEMBLY Standard/Floating Design Port		4	[3]
27	0735	881596002	PISTON ASSEMBLY .030/Floating Design Starboard		AR	

## Block Camshaft and Pistons

# Block Camshaft and Pistons



23253

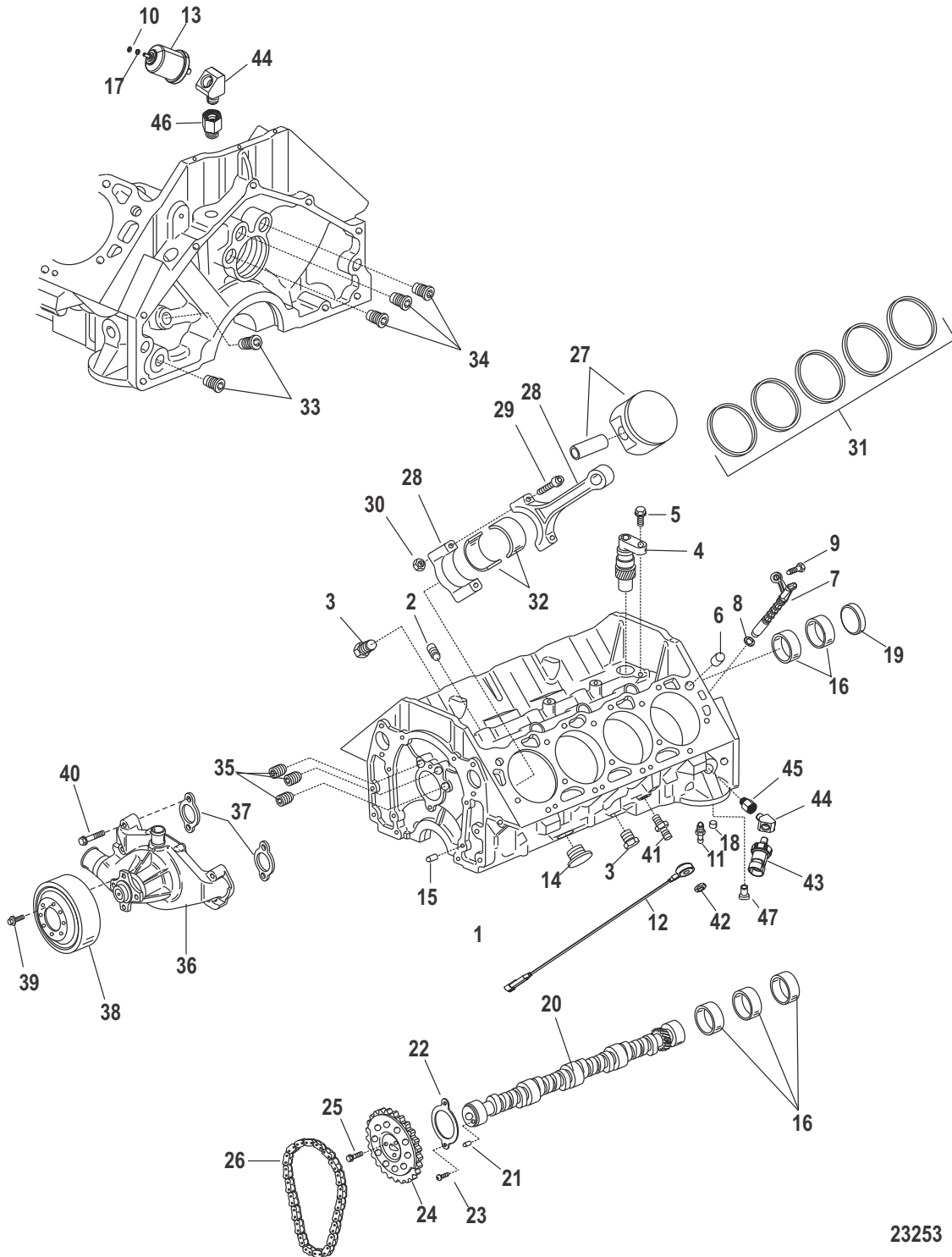
## Block Camshaft and Pistons

Ref #	Part Class	Part Number	Description	Comments	Qty	Note
27	0735	881596001	PISTON ASSEMBLY .030/Floating Design Without Connecting Rod, Starboard		AR	
27	0735	881597002	PISTON ASSEMBLY .030/Floating Design Port		AR	
27	0735	881597001	PISTON ASSEMBLY .030/Floating Design Without Connecting Rod, Port		AR	
28		NSS	NOT SOLD SEPARATE CONNECTING ROD		8	[3]
29	0010	883917	SCREW Connecting Rod		16	[3]
30	0011	883918	NUT Connecting Rod		16	[3]
31	0039	881601	RING KIT Piston	Standard	8	[3]
31	0039	881602	RING KIT Piston	(.030) Oversize	8	
32	0023	8832391	BEARING Connecting Rod		8	[3]
33	0022	881567001	PLUG Oil Galley		4	[3]
34	0022	48341	PLUG (.125-27 x .375) Oil Galley		3	[3]
35	0022	48341	PLUG (.125-27 x .375) Oil Galley		AR	[3]
35	0019	34487	PLUG (.375-18 x .42) Pipe, Oil Galley		2	[3]
35	0022	48340	PLUG (.250-18 x .41) Oil Galley		1	[3]
36	0000	883925	PUMP Circulating		1	[6]
37	0027	881603001	GASKET Circulating Pump		2	[7]
38	0000	862583	PULLEY Circulating Pump		1	[3]
39	0010	4010716	SCREW (M8 x 16)		4	[3]
40	0010	881576	SCREW (M10 x 65)		3	[3]
40	0010	884036	SCREW (M10 x 95)		1	[3]
41	0016	862915	STUD (.250-18/M10 Special) Knock Sensor		2	[3]
42	0011	826292	NUT (M10) Brass/Nickel Plated Knock Sensor		2	[3]
43	0000	881879011	SENSOR Pressure (0 - 100 PSI) Oil Pressure		1	
44	0022	29085	FITTING Elbow (45 Degree)		2	
45	0022	64013	FITTING (.375 Male To .125 Female) Reducer		1	
46	0022	805059	FITTING Reducer Bushing		1	
47	0000	883920	VALVE ASSEMBLY Filter		1	

## PART NOTES:

- [1] - Alternate part numbers:  
865752A01QS  
8M0086000Reman  
8M0137122QS

# Block Camshaft and Pistons



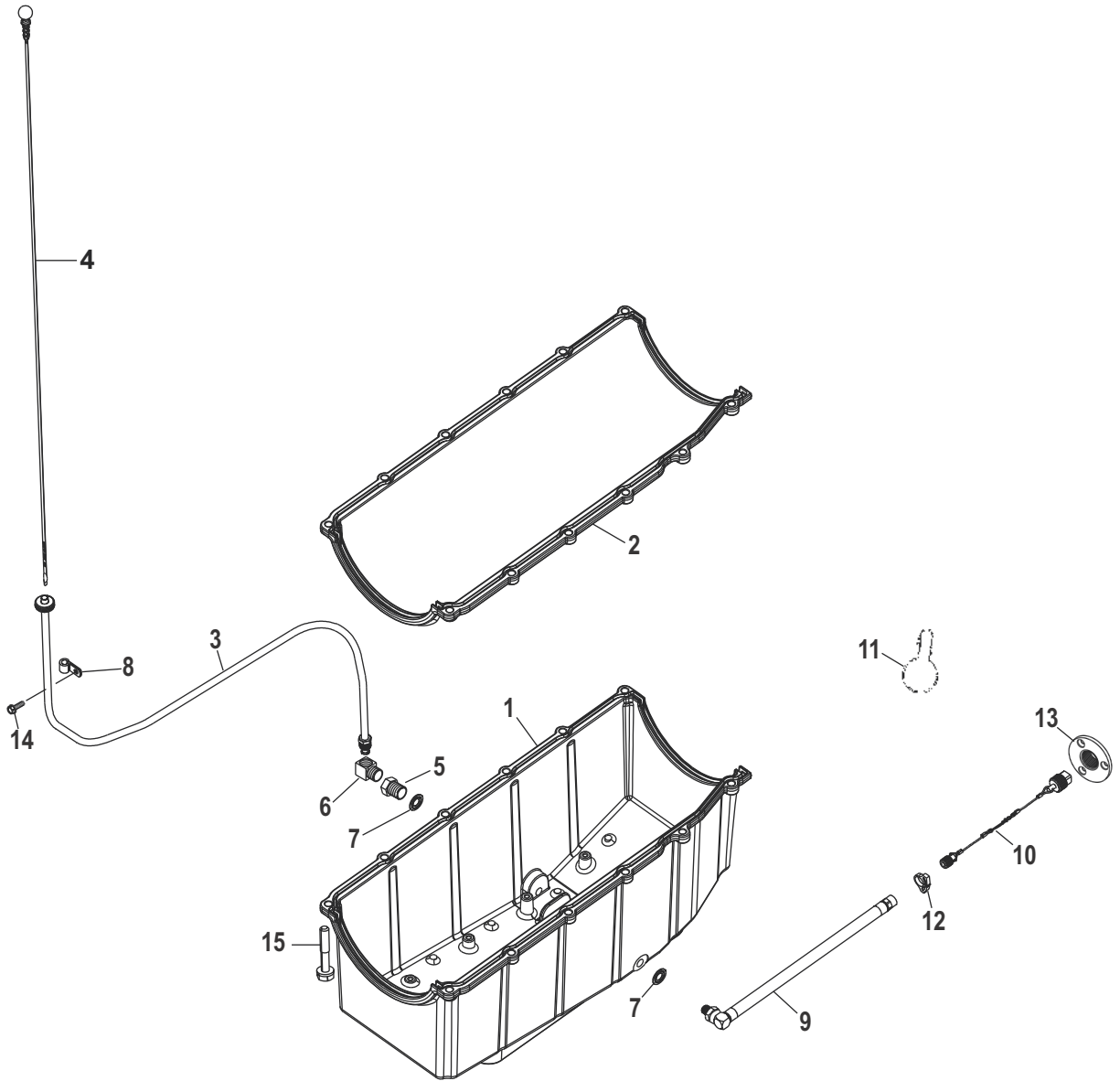
23253

## Block Camshaft and Pistons

- [2] - Alternate part numbers:
  - 865754A01QS
  - 8M0086001Reman
  - 8M0137121QS
- [3] - Component of Longblock Assembly-High Output 865754A01  
Component of Longblock Assembly-Base 865752A01
- [4] - Component of Longblock Assembly-Base 865752A01
- [5] - Component of Longblock Assembly-High Output 865754A01
- [6] - Alternate part numbers:
  - 883925QS
  - 883925R01Reman
  - Component of Longblock Assembly-High Output 865754A01
  - Component of Longblock Assembly-Base 865752A01
- [7] - Component of Engine Gasket Set 889924A02  
Component of Longblock Assembly-High Output 865754A01  
Component of Longblock Assembly-Base 865752A01



# Oil Pan and Drain System



7090

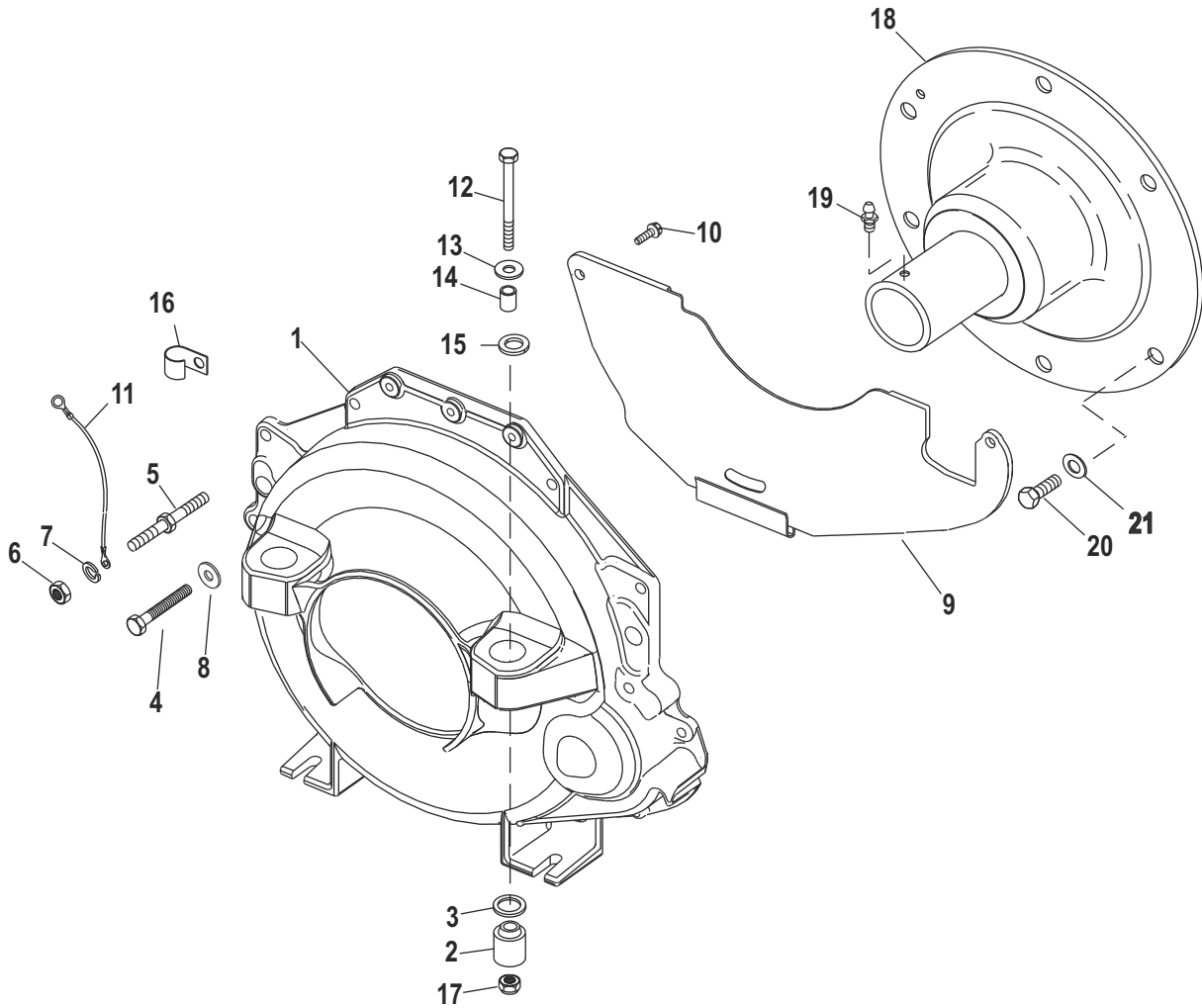
## Oil Pan and Drain System

Ref #	Part Class	Part Number	Description	Comments	Qty	Note
1	0000	881653001	PAN Oil		1	[1]
NS	0000	883922	BAFFLE Oil Pan		1	[1]
NS	0010	883923	SCREW (M6 x 20)		AR	[1]
2	0027	881612	GASKET Oil Pan		1	[2]
3	0000	865217	TUBE Engine Oil Gauge		1	
4	0000	86194210	GAUGE Oil Level		1	
5	0022	863389	FITTING Oil Gauge Tube		1	
6	0022	19697	ELBOW		1	
7	0027	49955	GASKET Drain		2	[3]
8	0054	65653	CLIP		1	
9	0032	865281	HOSE Oil Drain		1	
9	0032	865280	HOSE Oil Drain	Jackshaft Models	1	
NS	0025	805063	O-RING (.301 x .070)		2	
10	0000	862827	TETHER ASSEMBLY		1	
11	0054	805524	CLIP		1	
12	0054	863481	CLAMP		1	
13	0000	862777	FLANGE Drain		1	
14	0010	4000328	SCREW (M6 x 16)		1	
15	0010	898101392	BOLT (M8 x 30)		13	

**PART NOTES:**

- [1] - Component Of Longblock Assembly-High Output865754A01  
Component Of Longblock Assembly-Base865752A01
- [2] - Component Of Engine Gasket Set889924A02  
Component Of Longblock Assembly-High Output865754A01  
Component Of Longblock Assembly-Base865752A01
- [3] - Component Of Engine Gasket Set889924A02  
Component Of Engine Gasket Set 883231A 1

# Flywheel Housing

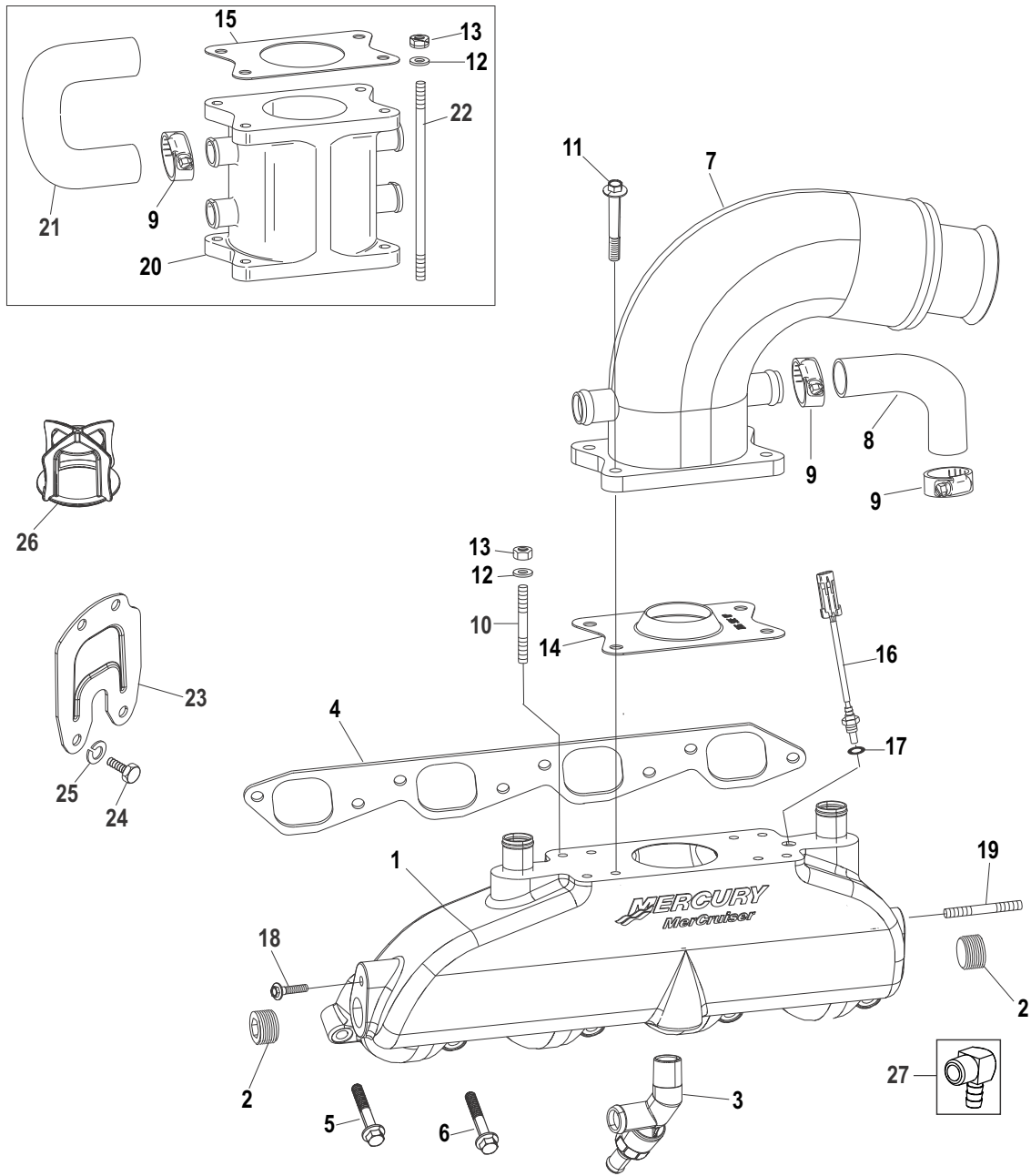


29926

## Flywheel Housing

Ref #	Part Class	Part Number	Description	Comments	Qty	Note
1	0000	865657A04	HOUSING ASSEMBLY Flywheel		1	
2	0000	865330A02	MOUNT KIT Rubber		1	
3	0023	99322	SPACER		2	
4	0010	40001197	SCREW (M10 x 35)		3	
4	0010	40001203	SCREW (M10 x 45)		1	
4	0010	1993325	SCREW (M10 x 25 MM)	(SEACORE)	4	
5	0016	861577	STUD Double Ended Metric (M10) Grounding		2	
5	0016	863376	STUD Stainless (M10 x M10)	(SEACORE)	2	
6	0011	40125100	NUT (M10)		2	
6	0011	4013710	NUT (M10)	(SEACORE)	2	
7	0013	400248	LOCKWASHER (M10)		2	
8	0012	34567	WASHER		1	
9	0000	807260A2	COVER KIT Flywheel		1	
NS	0011	807296	NUT (.250-20)		2	
10	0010	76596	SCREW (.250-20 x 1.250)		2	
10	0010	86885	SCREW (.250-20 x 1.500) Stainless Steel	(SEACORE)	2	
11	0084	62826A6	CABLE ASSEMBLY Ground (13.00 Inches) Black Grounding		1	
12	0010	97934	SCREW (.500-20 x 5.370) Special		2	
13	0012	35777	WASHER (.5156 x 1.375 x .125) Aluminum		2	
14	0023	99299	SPACER (.520 x .870 x .630)		2	
15	0012	54012	WASHER (.530 x .870 x .105) Stainless Steel		A/R	
16	0054	78945	J CLAMP Harness Support		1	
17	0011	863332	NUT (.500-20) Aluminum		2	
18	0098	8M0108208	COUPLER ASSEMBLY Engine - Long Steel Hub		1	
19	0022	74036	FITTING Grease		1	
20	0010	40001195	SCREW (M10 x 30)		6	
21	0012	25909	WASHER (.406 x .812 x .065)		6	

# Exhaust Manifold Elbow and Riser



23255

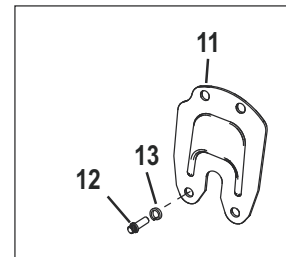
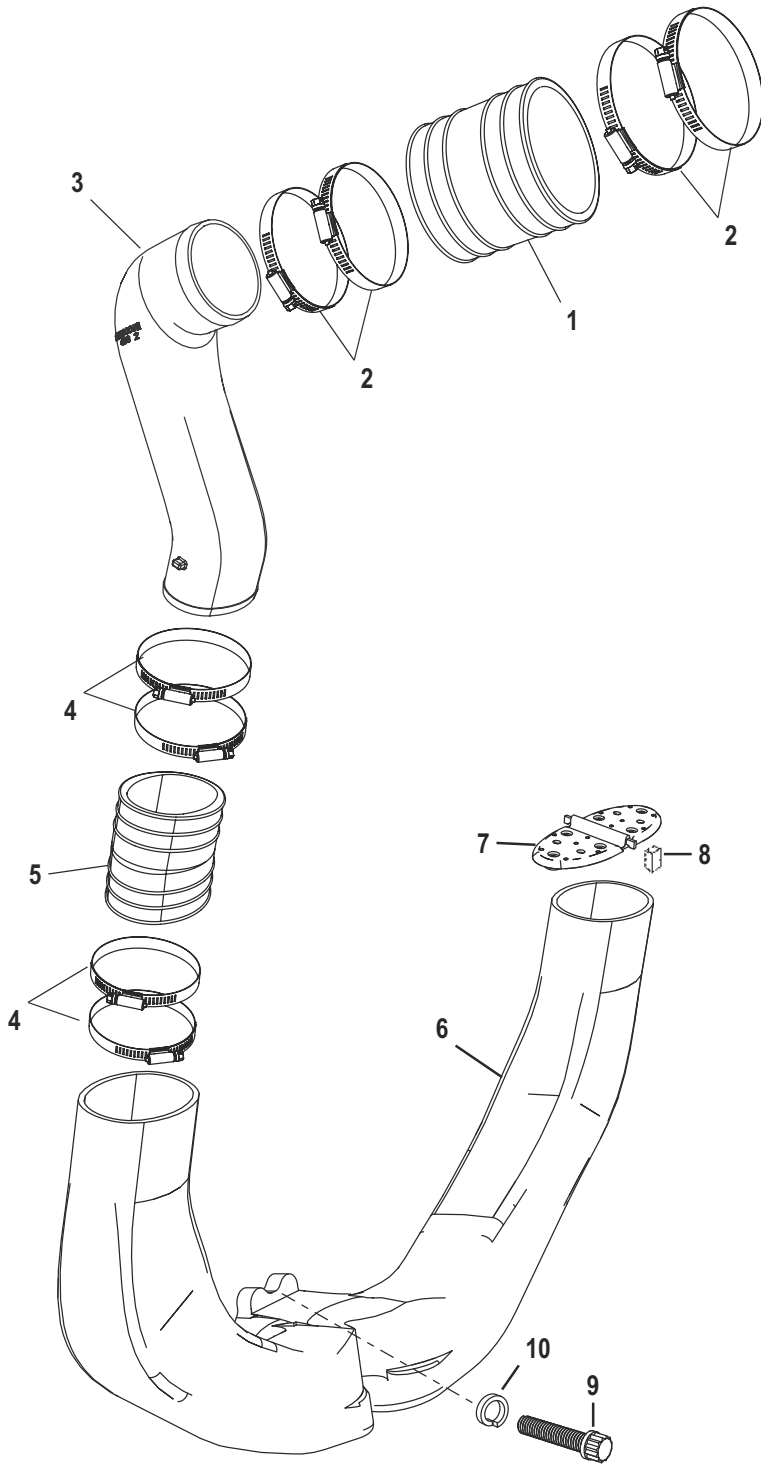
## Exhaust Manifold Elbow and Riser

Ref #	Part Class	Part Number	Description	Comments	Qty	Note
1	0000	866178T01	MANIFOLD ASSEMBLY Cast-Iron Alloy Exhaust		2	
2	0022	12524	PLUG (.375-18 x .475) Brass		1	
3	0022	865341A03	FITTING ASSEMBLY Drain - Stainless Steel	Port Exhaust Manifold	1	
3	0022	865828A02	FITTING ASSEMBLY Drain	Starboard Exhaust Manifold	1	
4	0027	46820	GASKET Exhaust Manifold to Cylinder Head		2	[1]
5	0010	40011151	SCREW (M8 x 35) Stainless Steel		8	
6	0010	40011158	SCREW (M8 x 70) Stainless Steel		8	
7	0000	865331A01	ELBOW Exhaust	Standard Rise	2	
7	0000	865332A01	ELBOW Exhaust	2 Inch Rise	2	
8	0032	863095	HOSE Elbow to Manifold		4	
9	0054	815504216	CLAMP Worm Gear (1.56 Diameter)		1	
10	0016	8204511	STUD (M8 x 55)		3	
11	0010	4010725	SCREW (M8 x 25)		8	
12	0012	12038	WASHER		8	
13	0011	4002030	NUT (M8)		8	
14	0000	8M2000433	TURBULATOR PLATE ASSY With Gaskets		1	
15	0027	862356	GASKET Elbow to Manifold		2	
16	0000	885342002	SENSOR ASSEMBLY Temperature		1	
17	0025	627021	O-RING (.301 x .070)		1	
18	0010	4010716	SCREW (M8 x 16)		1	
19	0016	424632	STUD (M8 x 37.1)		1	
20	0000	866768T	RISER (6 Inch)		2	
21	0032	863102	HOSE		4	
22	0016	863121	STUD (M8 x 194)		8	
NS	0019	8079923	COVER Hose Clamp End		8	
23	0000	861776A2	PLATE KIT		1	
24	0010	98794	SCREW (.375-16 x 1.00)		4	
25	0013	41471	LOCKWASHER (.375)		4	
26	0000	860222A1	RESONATOR Exhaust		1	
27	0000	8M2000159	ELBOW		1	

## PART NOTES:

- [1] - Component Of Engine Gasket Set 889924A02  
Component Of Engine Gasket Set 883231A 1

# Exhaust System Components



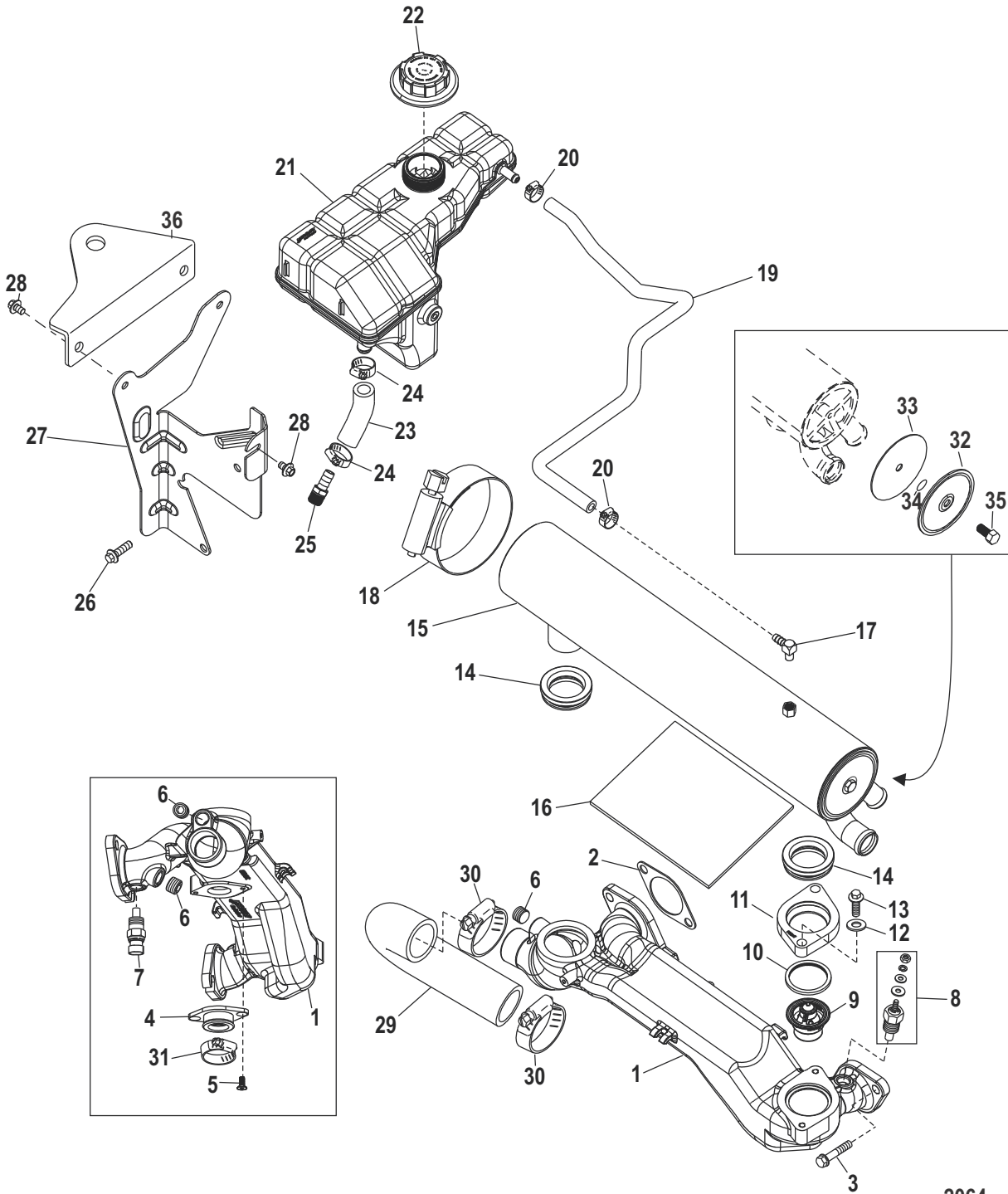
43000

## Exhaust System Components

Ref #	Part Class	Part Number	Description	Comments	Qty	Note
1	0032	44348001	TUBE Exhaust		2	
2	0054	815504272	CLAMP Worm Gear		8	
3	0000	44267A02	ELBOW KIT		1	
4	0054	815504272	CLAMP Worm Gear		8	
5	0032	4865912	HOSE 3.75 X 15.00		2	
6	0000	807130A4	PIPE Exhaust		1	
7	0000	807166A1	SHUTTER ASSEMBLY Water		2	
8	0025	807167	GROMMET		4	
9	0010	58640	SCREW (.375-16 x 1.25)		4	
10	0013	41471	LOCKWASHER (.375)		4	
11	0000	861776A2	PLATE KIT	Through Transome Exhaust	1	
12	0010	98794	SCREW (.375-16 x 1.00)	Through Transom Exhaust	4	
13	0013	41471	LOCKWASHER (.375)	Through Transom Exhaust	4	



# Cooling System Fresh Water Components



2064

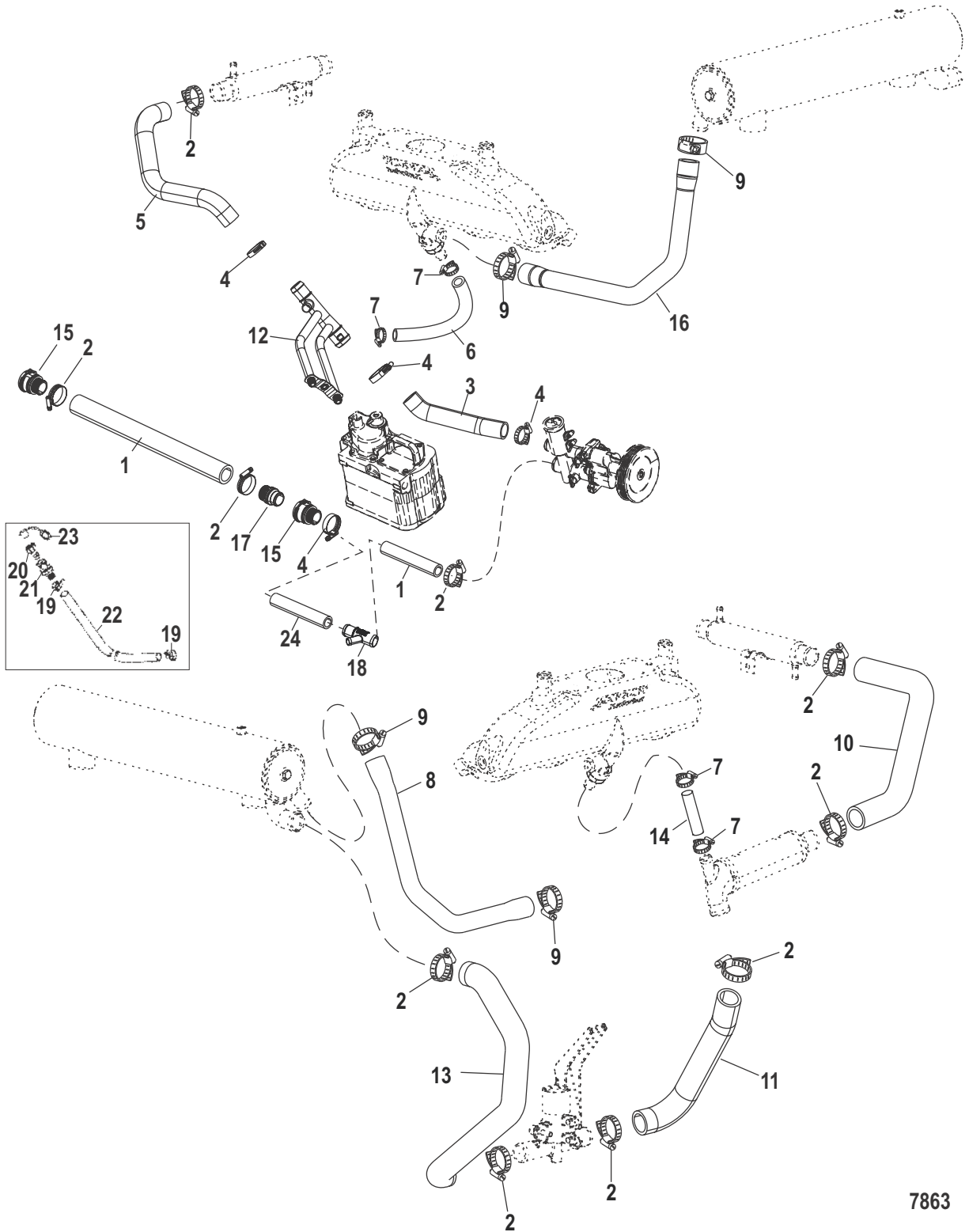
## Cooling System Fresh Water Components

Ref #	Part Class	Part Number	Description	Comments	Qty	Note
1	0000	863771T	CROSSOVER Coolant		1	
2	0027	881620001	GASKET Cylinder Head to Crossover		2	[1]
3	0010	881593	SCREW (M10 x 30)		4	
4	0026	861947	SEAL		1	[1]
5	0010	863609	SCREW (M6 x 14)		2	
6	0022	12524	PLUG (.375-18 x .475) Brass		2	
7	0000	805218T	SENSOR Coolant		1	
8	0000	806490T	SENDER Temperature		1	
9	0000	863358T	THERMOSTAT 71°C (160°F)		1	
10	0025	865078	SEAL Thermostat		1	[1]
11	0000	861949T	RETAINER Thermostat		1	
12	0012	12038	WASHER		2	
13	0010	4000354	SCREW (M8 x 30)		2	
14	0026	865066	SEAL Heat Exchanger to Crossover		2	[1]
15	0000	863903A01	HEAT EXCHANGER		1	
NS	0037	863355	DECAL Caution Heat Exchanger		1	
16	0000	863392	PAD Heat Exchanger		2	
17	0022	629101	FITTING Elbow - 90 Degree (.125-27)		1	
18	0054	815504280	CLAMP Worm Gear		2	
19	0032	863303	HOSE Coolant Bleed		1	
20	0054	815504206	CLAMP Worm Gear		2	
21	0000	861944A1	RESERVOIR Coolant		1	
22	0000	862863	CAP Coolant Reservoir		1	
23	0032	863304	HOSE Reservoir to Crossover		1	
24	0054	815504212	CLAMP Worm Gear Hose		2	
25	0022	8552141	FITTING Straight Hose		1	
26	0010	863388	SCREW (M10 x 16)		3	
27	0000	862986	BRACKET Coolant Reservoir		1	
28	0010	81893412	SCREW (M8 x 12)		3	
29	0032	865221	HOSE Crossover to Pump		1	
30	0054	815504232	CLAMP Worm Gear (2.50 Diameter)		1	
31	0054	865373	CLAMP Hose		1	
32	0000	891717	COVER Heat Exchanger End	Use With 3.75 Inch Diameter Heat Exchanger	2	
33	0027	891716	GASKET Heat Exchanger Cover	Use With 3.75 Inch Diameter Heat Exchanger	2	
34	0025	814878	O-RING Special		2	
35	0010	98261	SCREW (.375-16 x .750)		2	
36	0000	8M2000004	BRACKET Flush Mount		1	
N.S.	0019	8079923	COVER Hose Clamp End		AR	

**PART NOTES:**

- [1] - Component Of Engine Gasket Set 889924A02  
Component Of Engine Gasket Set 883231A 1

# Cooling System Raw Water Components

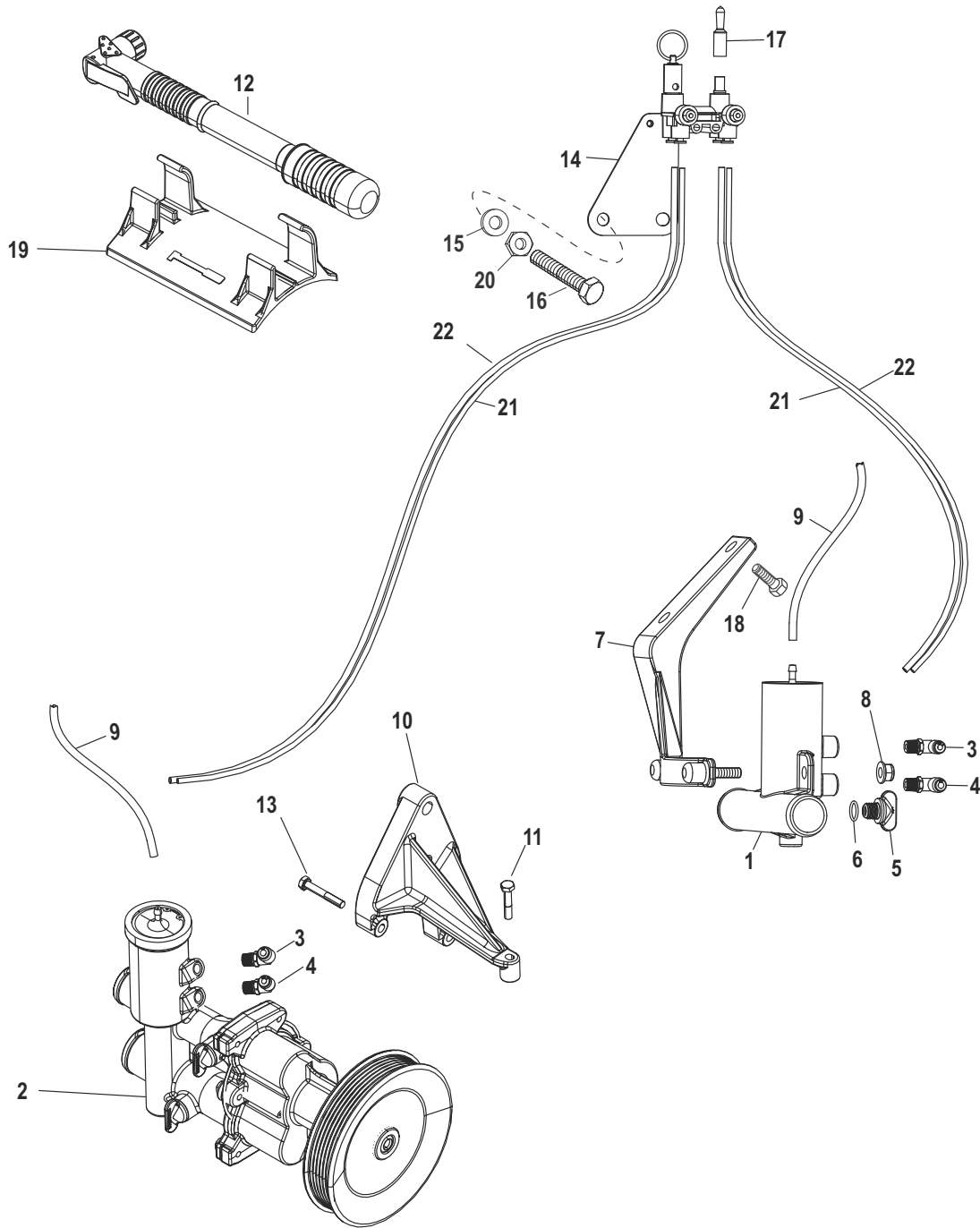


7863

## Cooling System Raw Water Components

Ref #	Part Class	Part Number	Description	Comments	Qty	Note
1	0032	865672079	HOSE (96.00 Inches Bulk) Cut to 19 Inches		1	
2	0054	815504222	CLAMP Worm Gear (1.98 Diameter)		12	
3	0032	865865	HOSE Sea Water Pump to Water Orifice		1	
4	0054	815504224	CLAMP Worm Gear		4	
5	0032	865235	HOSE Water Orifice to Power Steering Cooler		1	
6	0032	865713	HOSE Exhaust Manifold Drain to Water Orifice		1	
7	0054	815504212	CLAMP Worm Gear Hose		4	
8	0032	864488	HOSE Heat Exchanger to Port Exhaust Manifold Drain		1	
9	0054	815504216	CLAMP Worm Gear (1.56 Diameter)		4	
10	0032	863894	HOSE Power Steering Cooler to Oil Cooler		1	
11	0032	865265	HOSE Oil Cooler to Port Drain Housing		1	
12	0022	865208T01	HOSE ASSEMBLY 3 Bib Orifice Meter		1	
13	0032	863051	HOSE Water Drain to Heat Exchanger		1	
14	0032	4285069	HOSE (44.00 Inches Bulk) Water Rail to "Y" Fitting	Port, Cut to 3.00 Inch Length	1	
15	0022	865324	QUICK CONNECT Female		2	
16	0032	865294	HOSE Heat Exchanger to Starboard Exhaust Manifold Drain		1	
17	0022	865362	QUICK CONNECT Male		1	
18	0022	862993	FITTING Y, (2) 1-1/4 In. Hose Barbs / (1) 3/4 In. Hose Barb		1	
19	0054	815504212	CLAMP Worm Gear		2	
20	0022	861405	FITTING		1	
21	0022	861406	SOCKET		1	
22	0032	86438765	HOSE (34 Inches) Water		1	
23	0000	861427	CAP		1	
24	0032	86567231	HOSE (13.00 Inches) Cut to 8 Inches		1	
-	0019	8079923	COVER Hose Clamp End		AR	

# Water Drain System



41684

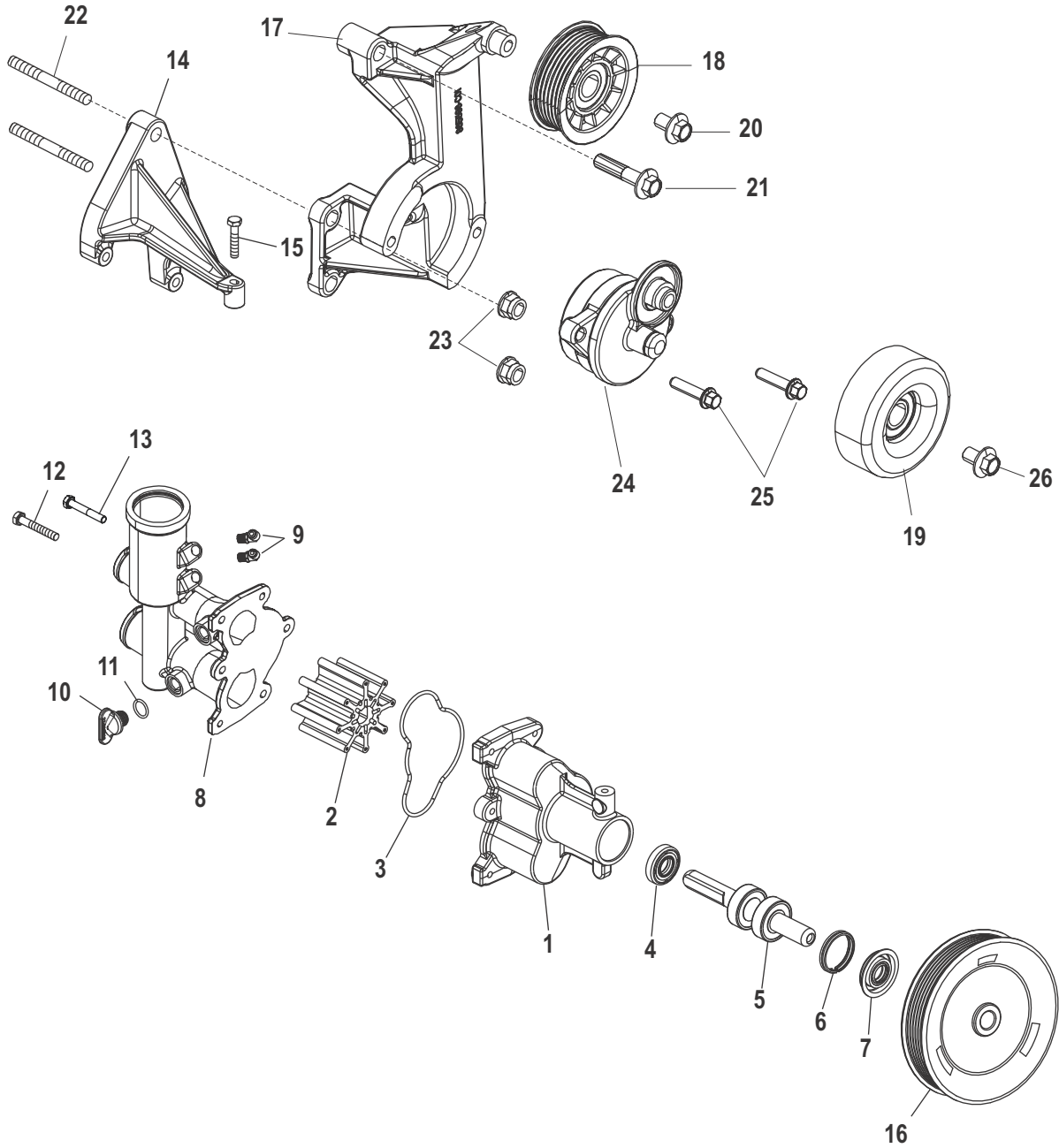
## Water Drain System

Ref #	Part Class	Part Number	Description	Comments	Qty	Note
1	0000	863717A2	ACTUATOR ASSEMBLY Water Drain	Port	1	
2	0046	862914T12	PUMP KIT Sea Water	See &quot;Seawater Pump&quot; for Component Break down	1	
3	0022	865288	FITTING Gray (90 Degree)		1	
4	0022	865289	FITTING Orange (90 Degree)		1	
5	0022	806608A02	PLUG ASSEMBLY (.500-13) Blue		1	[1]
6	0025	26802	O-RING (.424 x .103)		1	
7	0000	863863T	BRACKET Actuator Mounting	Port	1	
8	0011	826365	NUT (M8) Nylock		4	
9	0032	8630561	HOSE (42.00 Inches Bulk) Black Air		2	
10	0000	863859T	BRACKET		1	
11	0010	4000331	SCREW (M6 x 30)		1	
12	0000	863057	PUMP Air		1	
13	0010	8M2012296	SCREW (M6 x 40)		2	
14	0000	862969A2	MANIFOLD ASSEMBLY Air		1	
15	0012	4002314	WASHER		2	
16	0010	864887	SCREW (M5)		2	
17	0019	883503	CAP Service Point		1	
18	0010	4000374	SCREW (M10 x 16)		2	
19	0000	863059	BRACKET Air Pump		1	
20	0011	826292	NUT (M10) Brass/Nickel Plated		2	
21	0032	8630552	HOSE (40.00 Inches Bulk) Green	Cut Starboard to 25.5 Inch, Port Hose To 23 Inch	2	
22	0032	8630542	HOSE (40.00 Inches Bulk) Grey	Starboard 40 Inch, Port Hose To 23 Inch	2	

**PART NOTES:**

- [1] - Alternate part numbers:  
806608A02 Service Part  
806608Q01QS

# Seawater Pump



34955

## Seawater Pump

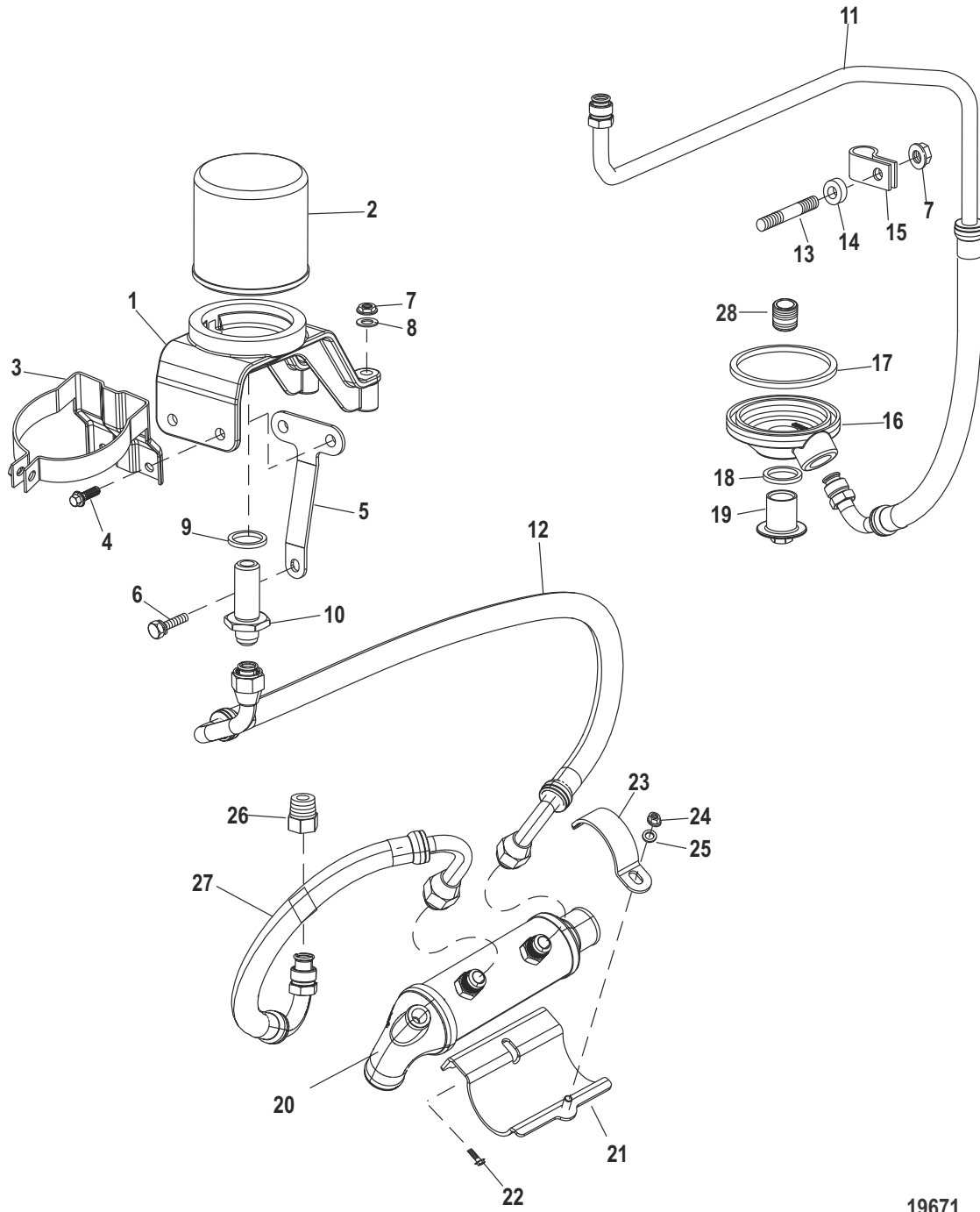
Ref #	Part Class	Part Number	Description	Comments	Qty	Note
-	0046	862914T12	PUMP KIT Sea Water		1	
1	0046	862914A13	HOUSING ASSEMBLY Impeller		1	
2	0047	862232A2	IMPELLER		1	
3	0025	841807	O-RING (3.500 x .103)		1	
4	0026	862037	SEAL Oil		1	
5	0000	862235A1	DRIVESHAFT ASSEMBLY Impeller		1	
6	0000	862039	TOLERANCE RING		1	
7	0026	862040	SEAL Lip		1	
8	0000	863674A04	COVER KIT Impeller Housing		1	
9	0022	865288	FITTING Gray (90 Degree)		1	
9	0022	865289	FITTING Orange (90 Degree)		1	
10	0022	806608A02	PLUG ASSEMBLY (.500-13) Blue		2	[1]
11	0025	26802	O-RING (.424 x .103)		2	
12	0010	4000328	SCREW (M6 x 16)		6	
13	0010	8M2012296	SCREW (M6 x 40)		2	
14	0000	863859T	BRACKET Sea Water Pump		1	
15	0010	4000331	SCREW (M6 x 30)		1	
16	0000	862351T	PULLEY		1	
17	0000	865596T01	BRACKET Idler Pulley		1	
18	0000	865444T	PULLEY (3.50 Inch Diameter) Idler, Grooved		1	
19	0000	865777	PULLEY Idler, Non-Grooved		1	
20	0010	4010816	SCREW (M10 x 16) Hex Flange - Stainless Steel		1	
21	0010	4010845	SCREW (M10 x 45) Hex Flange - Stainless Steel		1	
22	0016	854309	STUD (M10 x 76)		2	
23	0011	826292	NUT (M10) Brass/Nickel Plated		2	
23	0011	8M2000545	NUT (M10) Stainless Steel	(SEACORE)	2	
24	0000	865597T	TENSIONER Belt		1	
25	0010	88552630	SCREW (M8 x 30)		2	
26	0010	4010820	SCREW (M10 x 20) Hex Flange - Stainless Steel		1	

## PART NOTES:

- [1] - Alternate part numbers:  
806608A02Service Part  
806608Q01QS



# Remote Oil System



19671

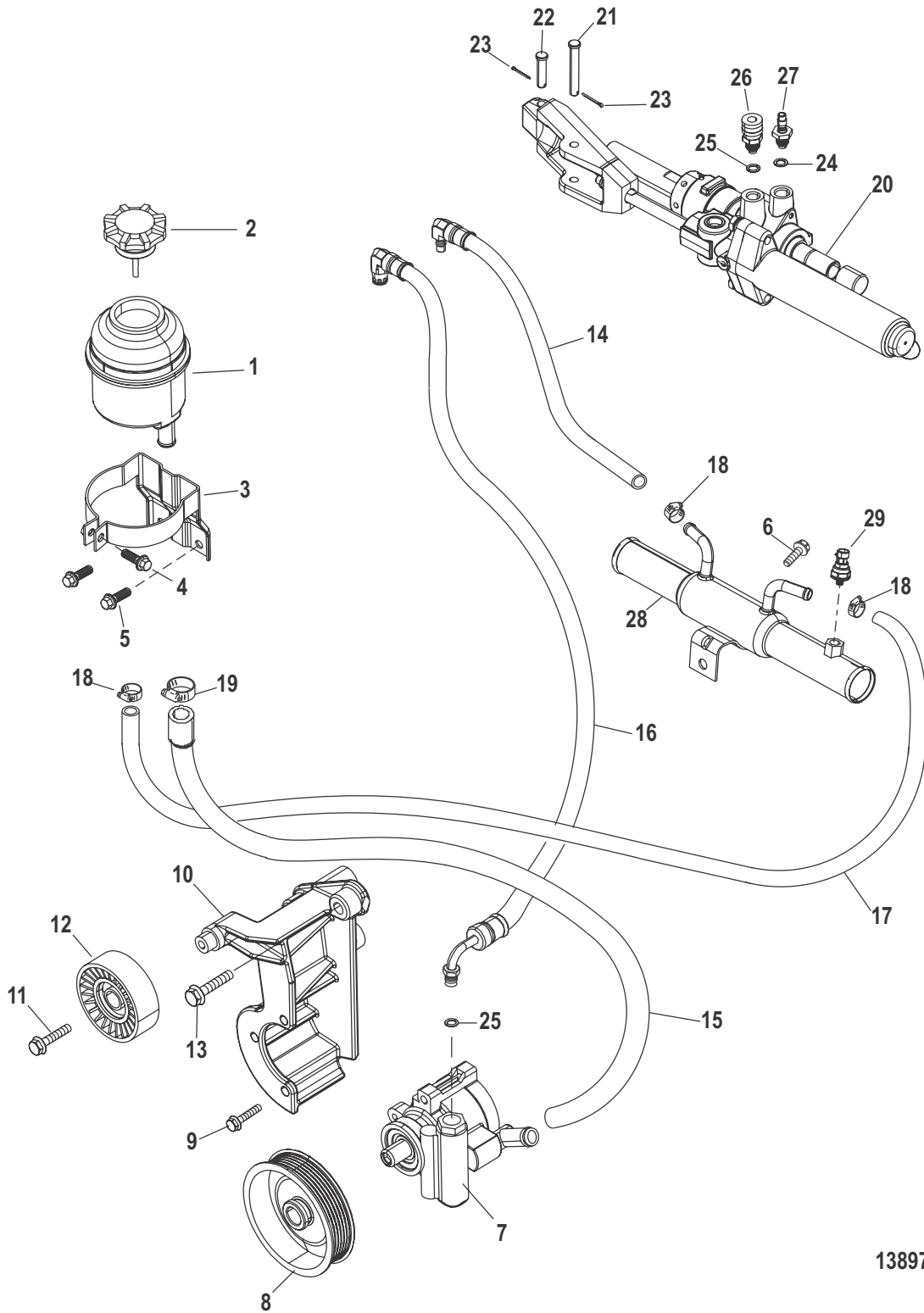
## Remote Oil System

Ref #	Part Class	Part Number	Description	Comments	Qty	Note
1	0000	862342T	BRACKET Remote Oil Filter		1	
2	0035	866340Q02	FILTER Oil - Quicksilver Brand		1	[1]
3	0000	865262A01	BRACKET ASSEMBLY		1	
4	0010	4010720	SCREW (M8 x 20)		2	
5	0000	8629102	BRACKET Support		1	
6	0010	4010716	SCREW (M8 x 16) Flange		1	
7	0011	4002030	NUT (M8)		3	
7	0011	400213	NUT (M8) Stainless Steel	(SEACORE)	3	
8	0012	12038	WASHER		3	
9	0026	42077	SEAL		1	[2]
10	0022	806328	FITTING Oil Adaptor		1	
11	0032	863899	HOSE Oil, Filter to Adaptor		1	
12	0032	863900	HOSE Oil, Filter to Cooler		1	
13	0016	424632	STUD (M8 x 37.1)		1	
14	0023	34948	SPACER		1	
15	0054	475451	CLIP		2	
16	0000	862870T	ADAPTER Oil Filter		1	
17	0026	862957	SEAL Oil Filter Adaptor		1	[2]
18	0026	42077	SEAL Swivel Tube		1	[2]
19	0022	862958	FITTING Oil Filter Adaptor		1	
20	0000	863904T	COOLER Oil		1	
21	0000	863905T	BRACKET Oil Cooler		1	
22	0010	4000327	SCREW (M6 x 14)		2	
23	0000	807445T	CLAMP Cooler Bracket		1	
24	0011	401366	NUT (M6) Stainless Steel		1	
25	0012	22937	WASHER		1	
25	0012	35044	WASHER (.281 x .625 x .065) Stainless Steel	(SEACORE)	1	
26	0022	805563	CONNECTOR (.500 Inch NPTF To .500 Inch Inverted Flare)		1	
27	0032	863915	HOSE Oil, Cooler to Adaptor		1	
28	0022	805632	CONNECTOR Filter Adaptor		1	

## PART NOTES:

- [1] - Alternate part numbers:  
866340K01MPP  
866340Q02Service Part  
866340Q03QS
- [2] - Component of Engine Gasket Set 889924A02  
Component of Engine Gasket Set 883231A 1

# Steering Components

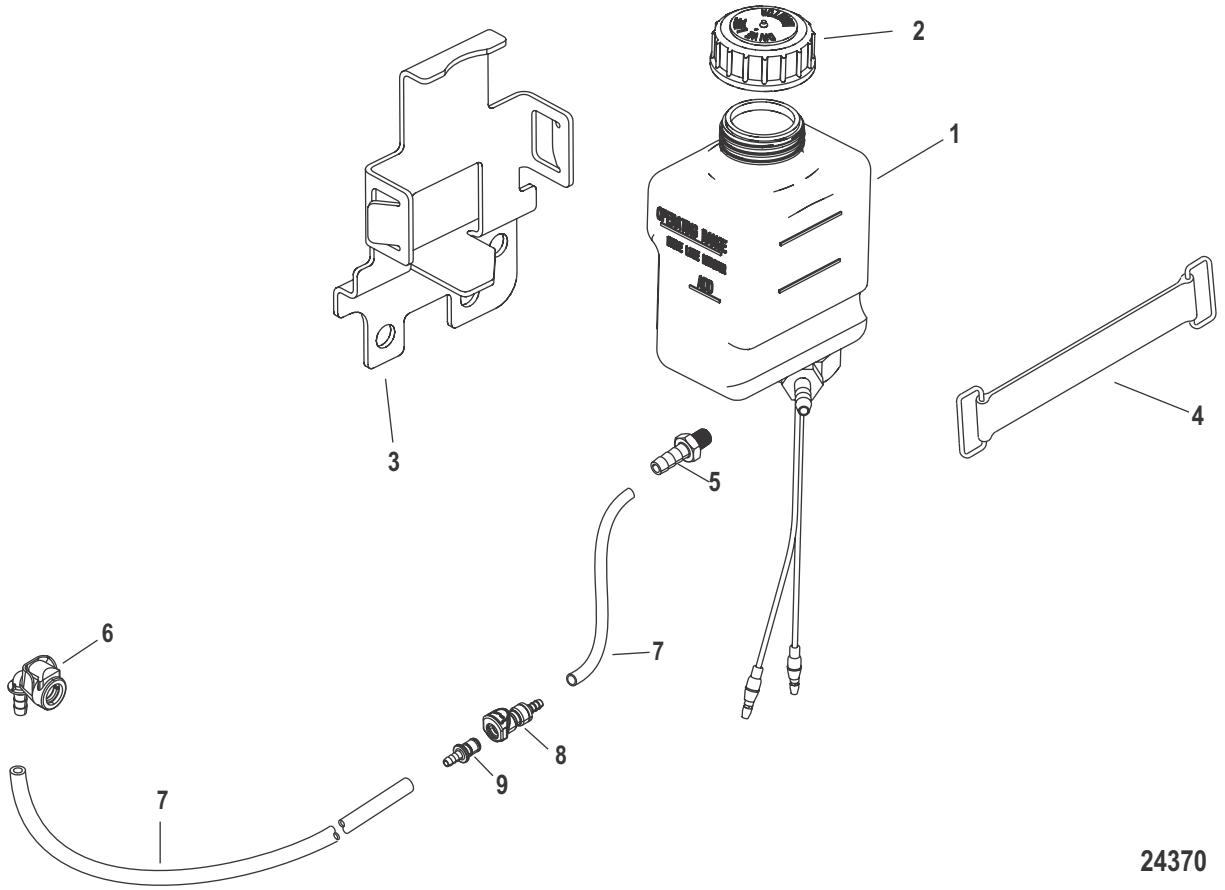


13897

## Steering Components

Ref #	Part Class	Part Number	Description	Comments	Qty	Note
-	0000	865264A02	RESERVOIR KIT		1	
1	0000	865264T	RESERVOIR ASSEMBLY Oil - Power-Assisted Steering		1	
2	0019	865263	CAP Oil Reservoir - Brown		1	
3	0000	865262A01	BRACKET ASSEMBLY		1	
4	0010	82130025	SCREW (M6 x 25)		1	
5	0010	4000354	SCREW (M8 x 30)		2	
6	0010	816585	SCREW (.312-18 x .875)		1	
7	0000	865710T	PUMP ASSEMBLY .75 Shaft Diameter Power Steering		1	
8	0000	865795	PULLEY Power Steering		1	
9	0010	4010720	SCREW (M8 x 20)		3	
10	0000	865595T01	BRACKET Power Steering Pump		1	
11	0010	4010816	SCREW (M10 x 16) Hex Flange - Stainless Steel		1	
12	0000	865598	PULLEY		1	
13	0010	4010890	SCREW (M10 x 90) Hex Flange - Stainless Steel		3	
14	0032	865390015	HOSE Male Quick Connect Cylinder to Cooler		1	
15	0032	864229	HOSE Pump to Reservoir		1	
16	0032	866687	HOSE Pressure Pump to Cylinder		1	
16	0032	866509	HOSE Pressure Pump to Cylinder	(SEACORE)	1	
17	0032	865717	HOSE Reservoir to Cooler		1	
18	0054	815504105	CLAMP Worm Gear (11-18 mm)		3	
19	0054	815504210	CLAMP Worm Gear		2	
20	0000	865383A02	ACTUATOR ASSEMBLY Steering		1	
21	0017	15878	PIN Clevis	Long	1	
22	0017	16419	PIN Clevis	Short	1	
23	0018	46950	COTTER PIN		2	
24	0025	806232	O-RING (.239 x .064)		1	
25	0025	89879	O-RING (.301 x .064)		2	
26	0022	865415	FITTING		1	
27	0022	865414001	FITTING		1	
28	0000	863820T1	COOLER Power Steering		1	
29	0000	881879010	SENSOR		1	
NS	0019	8079921	COVER Hose Clamp End		AR	

# Drive Lube Reservoir Assembly

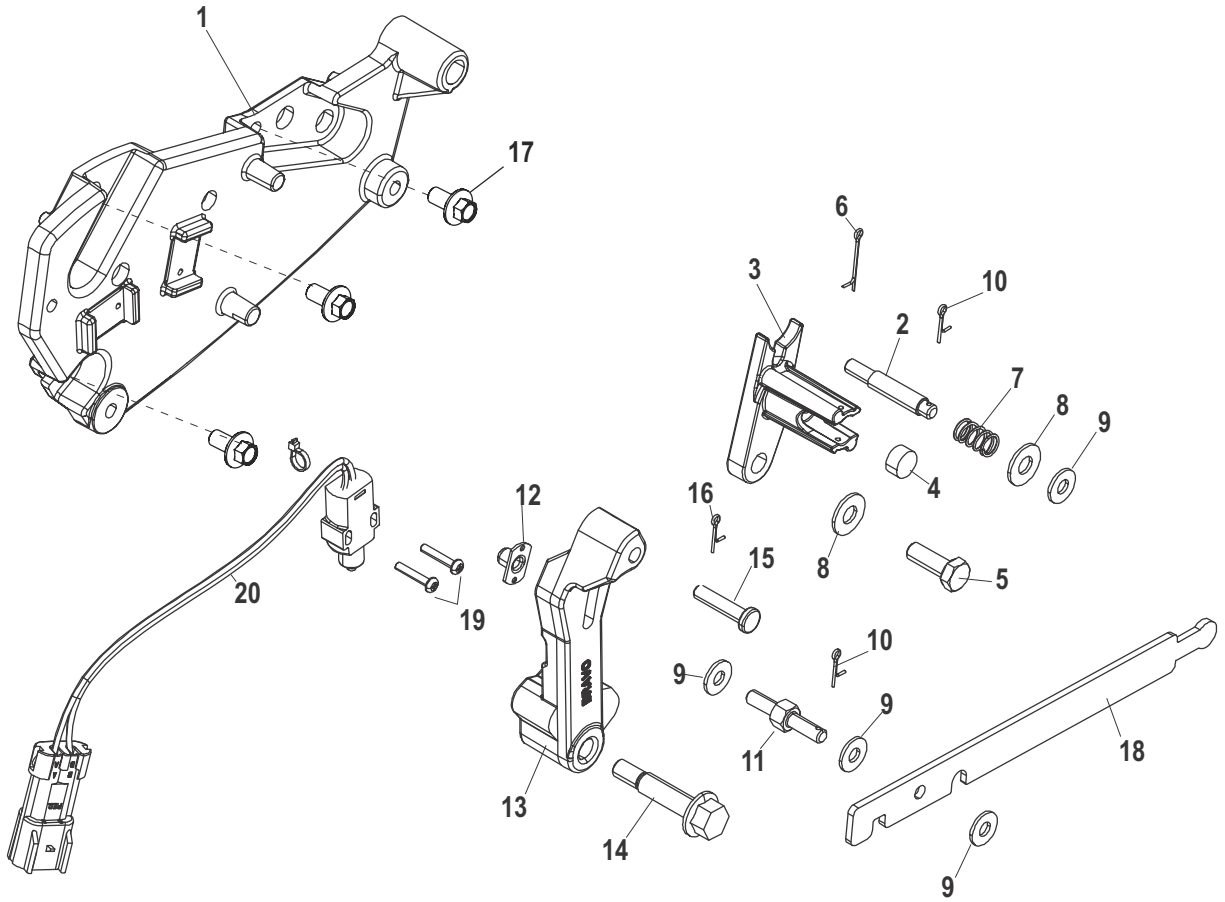


24370

## Drive Lube Reservoir Assembly

Ref #	Part Class	Part Number	Description	Comments	Qty	Note
1	0000	806193A46	LUBE BOTTLE Drive Lube		1	
2	0036	8067271	CAP Drive Lube Monitor Drive Lube Reservoir		1	
3	0000	860065A1	BRACKET KIT Oil Bottle, Drive Lube Reservoir		1	
4	0000	808023T	STRAP Bracket		1	
5	0022	808624	CONNECTOR Lube Reservoir		1	
6	0022	861163	QUICK CONNECTOR (90 Degree) To Transom		1	
7	0032	1940971	HOSE (54.00 Inches Bulk)		1	
8	0022	865379	FITTING Female Quick Connect		1	
9	0022	865191	FITTING Male Quick Connect		1	

# Shift Bracket Mechanical Shift



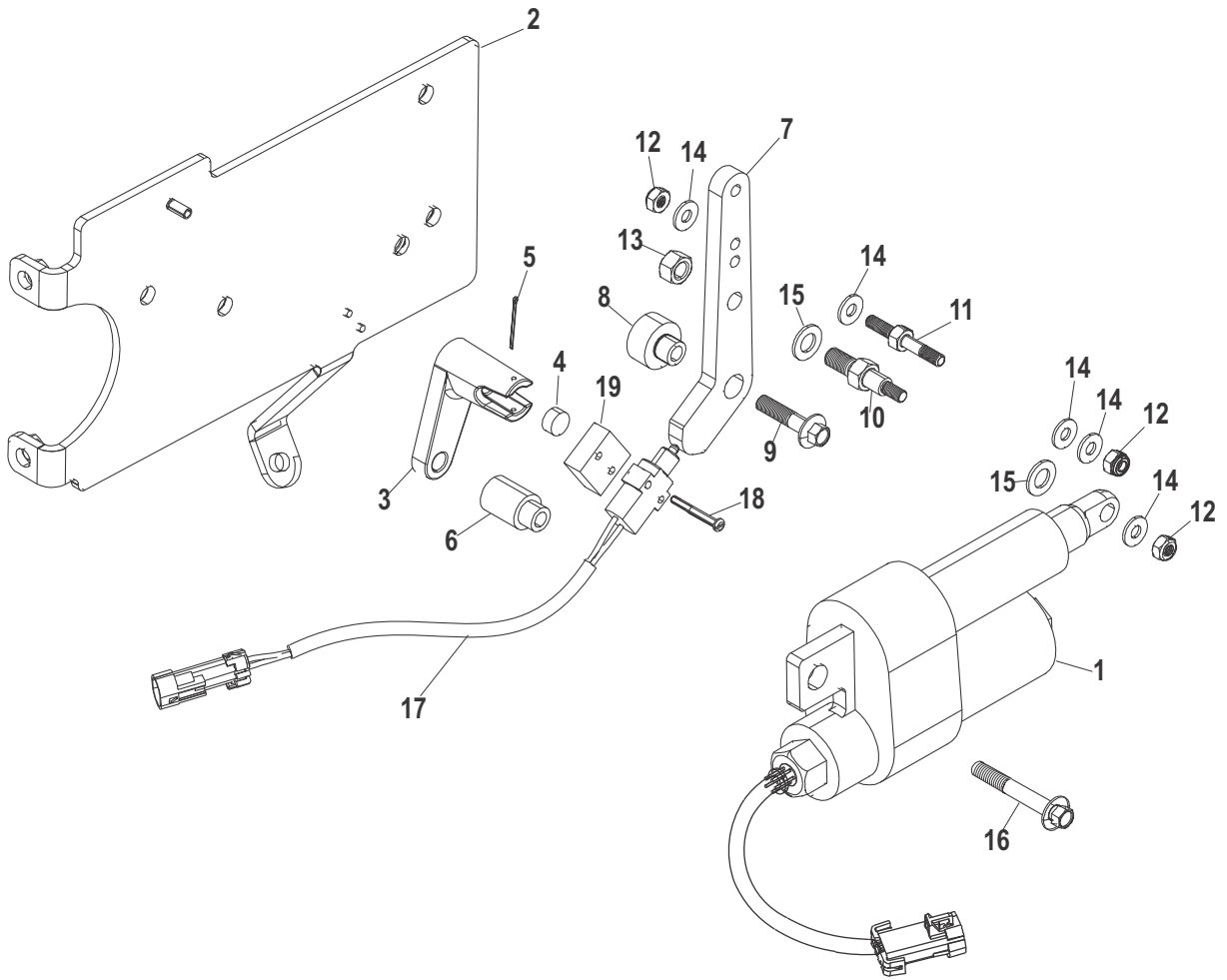
12132

## Shift Bracket Mechanical Shift

Ref #	Part Class	Part Number	Description	Comments	Qty	Note
1	0000	807962A15	BRACKET ASSEMBLY		1	
2	0016	865154A02	STUD KIT (.250-20/.250-28 x 2.120) With Cotter Pin		1	
3	0000	865434A02	RETAINER KIT Shift Cable, With Cotter Pin		1	
4	0023	98828	SPACER		1	
5	0010	53167	SCREW (.312-18 x .880)		1	
6	0018	328571	COTTER PIN		1	
7	0024	98880	SPRING		1	
8	0012	56720	WASHER (.330 x .750 x .060) Stainless Steel		2	
9	0012	35462	WASHER (.2656 x .625 x .0625) Stainless Steel		4	
10	0018	210711	COTTER PIN		2	
11	0016	865393A02	STUD KIT (.250-28 x 1.90) With Cotter Pin		1	
12	0011	63341	TEE NUT		1	
13	0000	863911A12	LEVER ASSEMBLY		1	
14	0010	865148	SHOULDER SCREW (.312-18 x 1.843) Stainless Steel Shoulder		1	
15	0017	68402	PIN (.250 x 1.13) Clevis		1	
16	0018	210711	COTTER PIN Cotter		1	
17	0010	4010716	SCREW (M8 x 16)		3	
18	0091	12427	TOOL Shift Adjust		1	
19	0010	865147	SCREW (#6-32 x .750) Stainless Steel		2	
20	0087	808009T11	SWITCH ASSEMBLY		1	



# Shift Bracket Digital Throttle and Shift

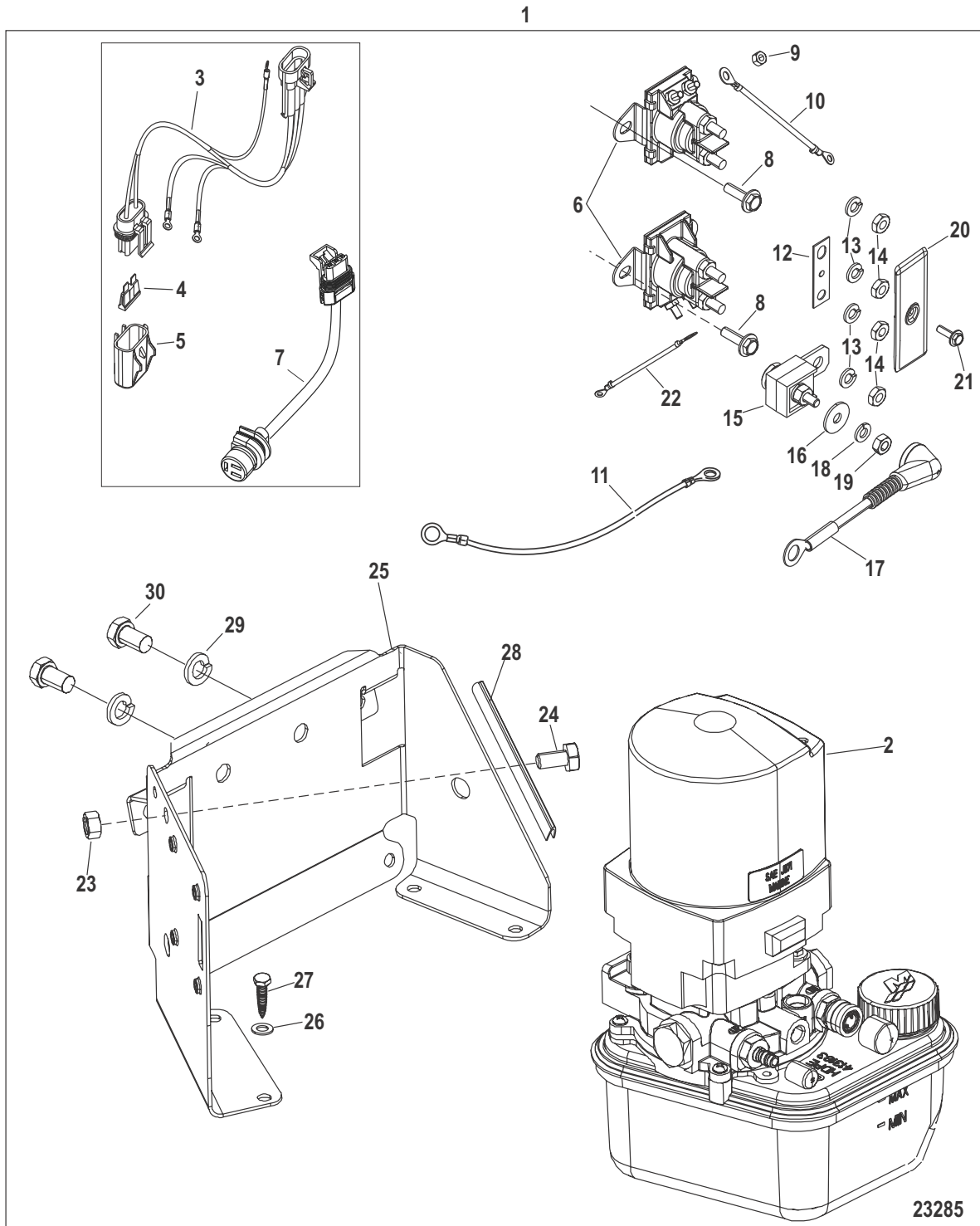


1686

## Shift Bracket Digital Throttle and Shift

Ref #	Part Class	Part Number	Description	Comments	Qty	Note
-	0000	862909T01	SHIFT ACTUATOR ASSEMBLY Complete		1	
1	0000	879194T46	SHIFT ACTUATOR		1	
2	0000	8629091	BRACKET Shift Plate		1	
3	0000	864616	RETAINER Shift Cable		1	
4	0023	98828	SPACER		1	
5	0018	328571	COTTER PIN		1	
6	0023	863133	SPACER Actuator		1	
7	0000	8631341	LEVER Shift Arm		1	
8	0023	863132	SPACER Shift Arm		1	
9	0010	40011151	SCREW (M8 x 35) Stainless Steel		1	
10	0016	864361	STUD		1	
11	0016	96112	STUD (.250-28 x 2.00) Throttle Cable Anchor		1	
12	0011	826709109	NUT (.250-28) Stainless Steel		3	
13	0011	46335	NUT (.375-24)		1	
14	0012	35462	WASHER (.2656 x .625 x .0625) Stainless Steel		5	
15	0012	34931	WASHER (.406 x .734 x .063) Stainless Steel		2	
16	0010	40011155	SCREW (M8 x 55) Stainless Steel		1	
17	0087	889514A01	SWITCH		1	
18	0010	865076	SCREW (6-32 x 1.25)		2	
19	0023	864386	SPACER Switch		1	

# Trim Pump Assembly Complete

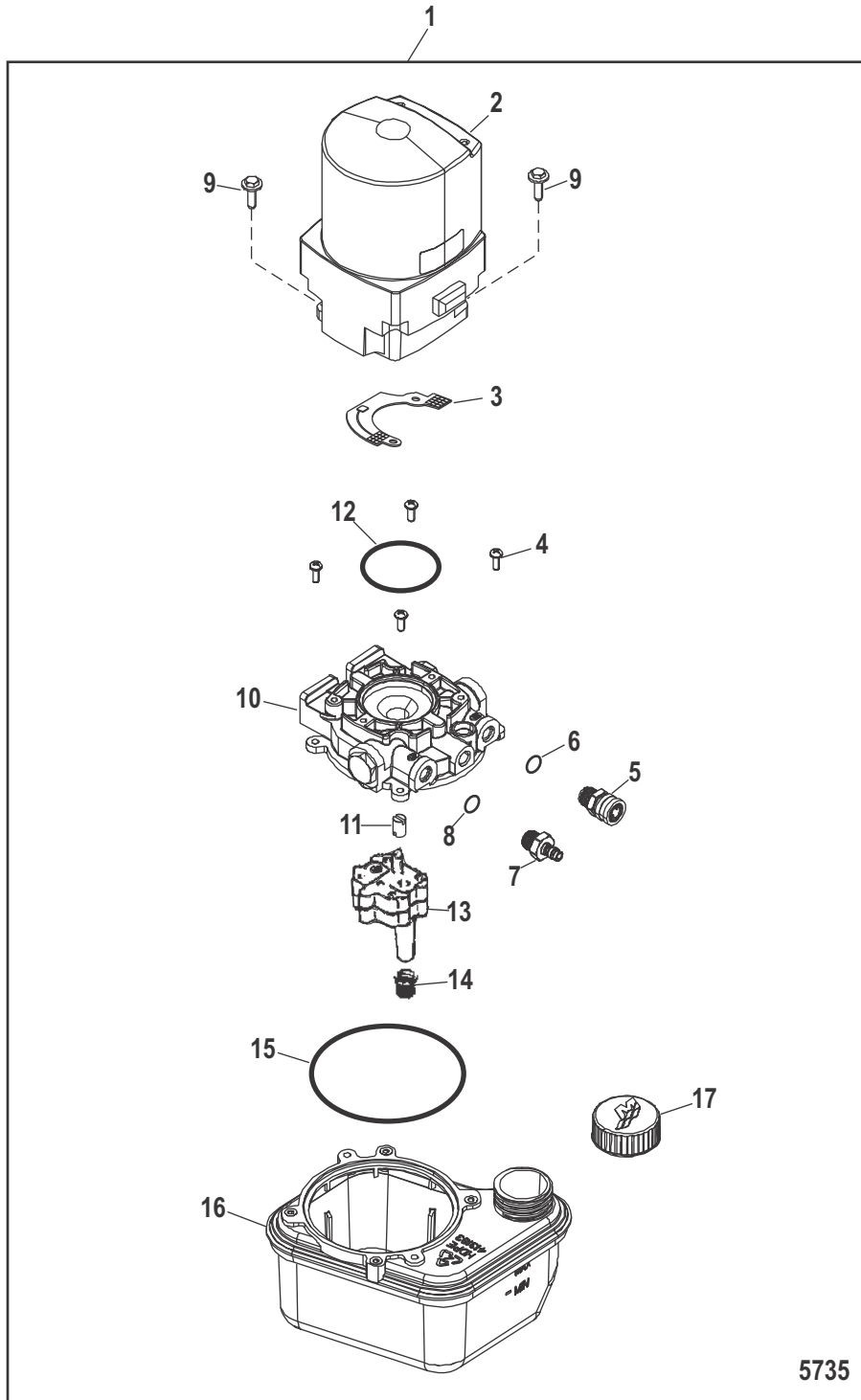


## Trim Pump Assembly Complete

Ref #	Part Class	Part Number	Description	Comments	Qty	Note
1	0000	865380A25	PUMP ASSEMBLY Trim - Complete		1	
1	0000	807378A2	PUMP ASSEMBLY Trim - 24 Volt - Complete	Used In Special Diesel Applications Only	1	
2	0000	865380A13	PUMP/MOTOR ASSEMBLY Trim - 12 Volt		1	
2	0000	807378T	PUMP/MOTOR ASSEMBLY 24 Volt	Used In Special Diesel Applications Only	1	
3	0084	79147A09	HARNESS ASSEMBLY With Packard Connector		1	
4	0088	812619	FUSE Yellow - 20 Ampere		1	
5	0000	828054	COVER Fuse		1	
6	0089	96158T	SOLENOID 12 Volt		2	
6	0089	807377T	SOLENOID 24 Volt	Used In Special Diesel Applications Only	2	
7	0084	865771A02	HARNESS ASSEMBLY Adapter - Molded 3 Pin Male To Packard 3 Pin Male		1	
8	0010	41508	SCREW (.250-20 x .500) Stainless Steel		4	
9	0011	26419	NUT (#8-32) Brass		4	
10	0084	86322A24	CABLE ASSEMBLY (4.00 Inches)		1	
11	0084	79138A9	CABLE ASSEMBLY (6.00 Feet) Black-Negative Negative		1	
12	0000	94275	LINK Connector		1	
13	0013	26992	LOCKWASHER (.250) Stainless Steel		4	
14	0011	94330	NUT (.250-20) Brass		4	
15	0088	79023A10	FUSE ASSEMBLY 110 Ampere		1	
16	0012	25908	WASHER (.265 x .812 x .0625)		1	
17	0084	79139A12	CABLE ASSEMBLY Red-Positive Battery - Positive		1	
18	0013	26992	LOCKWASHER (.250) Stainless Steel		1	
19	0011	21825	NUT (.250-28)		1	
20	0085	861680	INSULATOR		1	
21	0010	48409	SCREW (#10-16 x .625) Stainless Steel		1	
22	0084	86322A15	CABLE ASSEMBLY (5.50 Inches) Black		1	
23	0011	68292	NUT (.312-18)		1	
24	0010	90285	SCREW (.312-18 x .625)		1	
25	0000	862548A1	BRACKET KIT Floor or Transom Mounted		1	
26	0012	29245	WASHER (.281 x .500 x .060) Stainless Steel		4	
27	0010	59784	SCREW (.250-10 x 1.00)		4	
28	0000	58491	CHANNEL Rubber (4.00 Inches)		2	
29	0013	35048	LOCKWASHER (.375)		2	
30	0010	98260	SCREW (.375-16 x .620)		2	

Trim Pump Assembly Complete

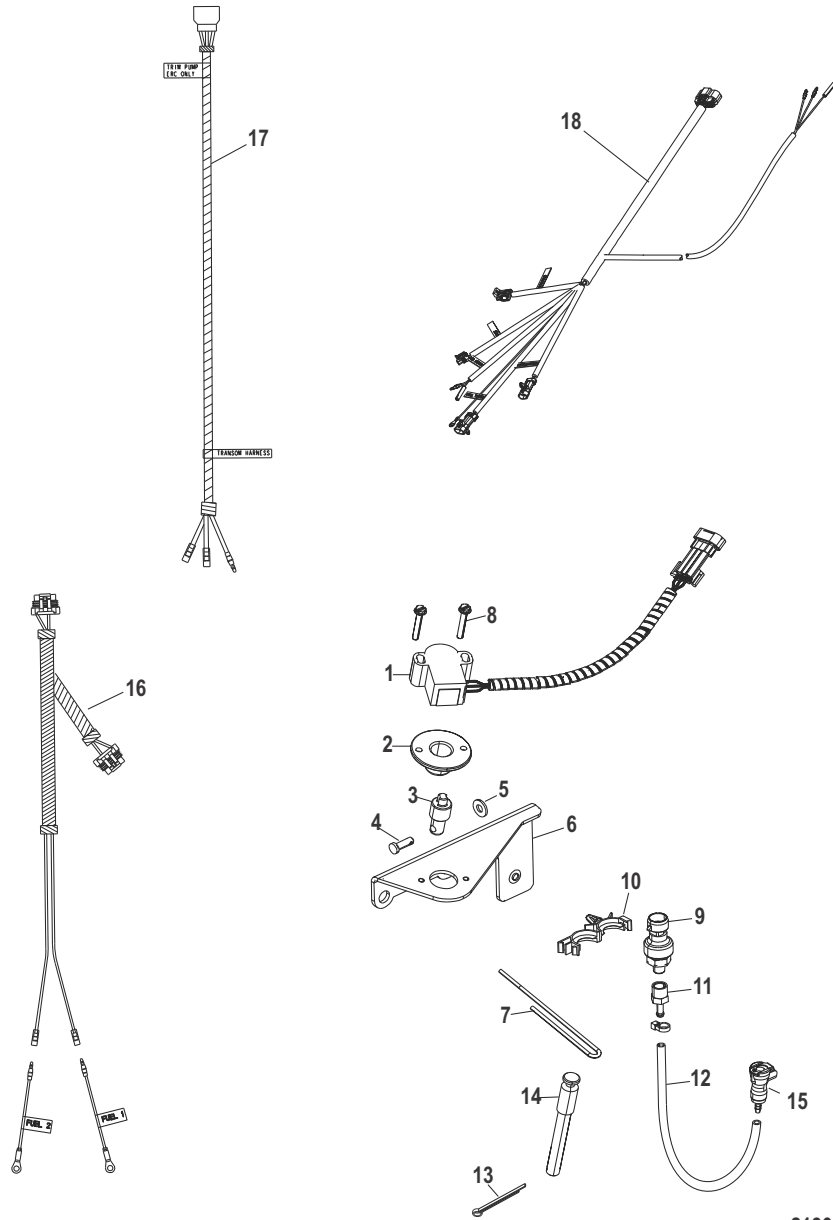
# Trim Pump and Motor Components



## Trim Pump and Motor Components

Ref #	Part Class	Part Number	Description	Comments	Qty	Note
1	0000	865380A13	PUMP/MOTOR ASSEMBLY Trim - 12 Volt		1	
2	0000	891736T	MOTOR ASSEMBLY Complete		1	
3	0000	892608	BOARD ASSEMBLY Circuit - Radio Frequency Interference Filter		1	
4	0010	883167	SCREW (#8-32)		4	
5	0022	865413002	FITTING Stainless Steel Female Quick Connect		1	
6	0025	891868	O-RING		1	
7	0022	865412001	FITTING Stainless Steel Male Quick Connect		1	
8	0025	891868	O-RING		1	
9	0010	823444	SCREW		2	
10	0000	808728T	ADAPTER ASSEMBLY		1	
11	0000	803852	COUPLING		1	
12	0025	89498	O-RING Motor End		1	
13	0000	18529	PUMP ASSEMBLY With Screws		1	
14	0035	89496	FILTER		2	
15	0025	17645	O-RING Reservoir End		1	
16	0000	883166A2	RESERVOIR KIT	With Filters-Reference 14 And O Ring-Reference 15	1	
17	0036	865448A01	CAP Oil Reservoir		OPT	
NS	0000	812498A1	VALVE KIT Relief	Up Pressure	1	
NS	0000	812499A1	VALVE KIT Relief	Down Pressure	1	
NS	0000	95353A1	VALVE KIT Thermal Relief	Thermal	1	
NS	0000	18545A1	REPAIR KIT		1	
NS	0000	891737	BRUSH KIT		1	

# SmartCraft Sensor and Harnesses



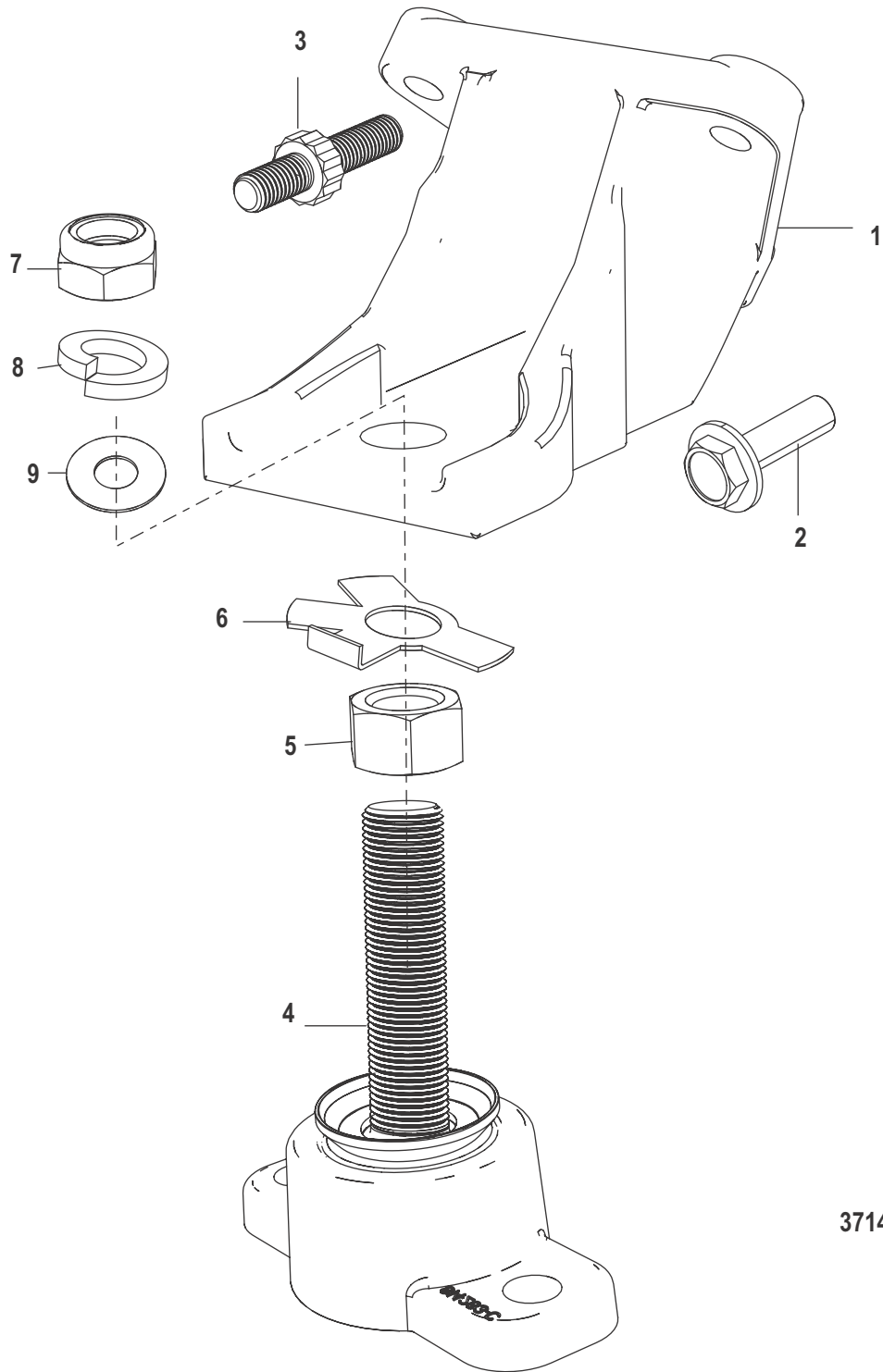
21905

## SmartCraft Sensor and Harnesses

Ref #	Part Class	Part Number	Description	Comments	Qty	Note
-	0000	863188A3	SENSOR KIT Steering Pitot	Digital Throttle Shift	1	
1	0000	863188T	SENSOR Steering		1	
2	0000	863175	ADAPTER Sensor		1	
3	0000	863174	DRIVER		1	
4	0017	863176	PIN		1	
5	0012	35044	WASHER (.281 x .625 x .065) Stainless Steel		1	
6	0000	863178	BRACKET Steering Sensor		1	
7	0000	863177	GUIDE		1	
8	0010	812987	SCREW (#10-24 x 1.250)		2	
9	0000	881879011	SENSOR Pressure (0 - 100 PSI) Pitot Pressure		1	
10	0054	883066	CLIP (.865)		1	
11	0022	856594	FITTING Barbed		1	
12	0032	5495025	TUBING (25.00 Feet Bulk) Cut to Length		1	
13	0018	46950	COTTER PIN		1	
14	0017	863179	PIN Clevis		1	
15	0022	865417	FITTING Female Quick Connect		1	
16	0084	865891T02	HARNESS ASSEMBLY Fuel/Paddle		1	
17	0084	865774T01	HARNESS ASSEMBLY Trim Pump		1	
18	0084	865677T01	HARNESS ASSEMBLY Transom Harness		1	



Engine Mounts

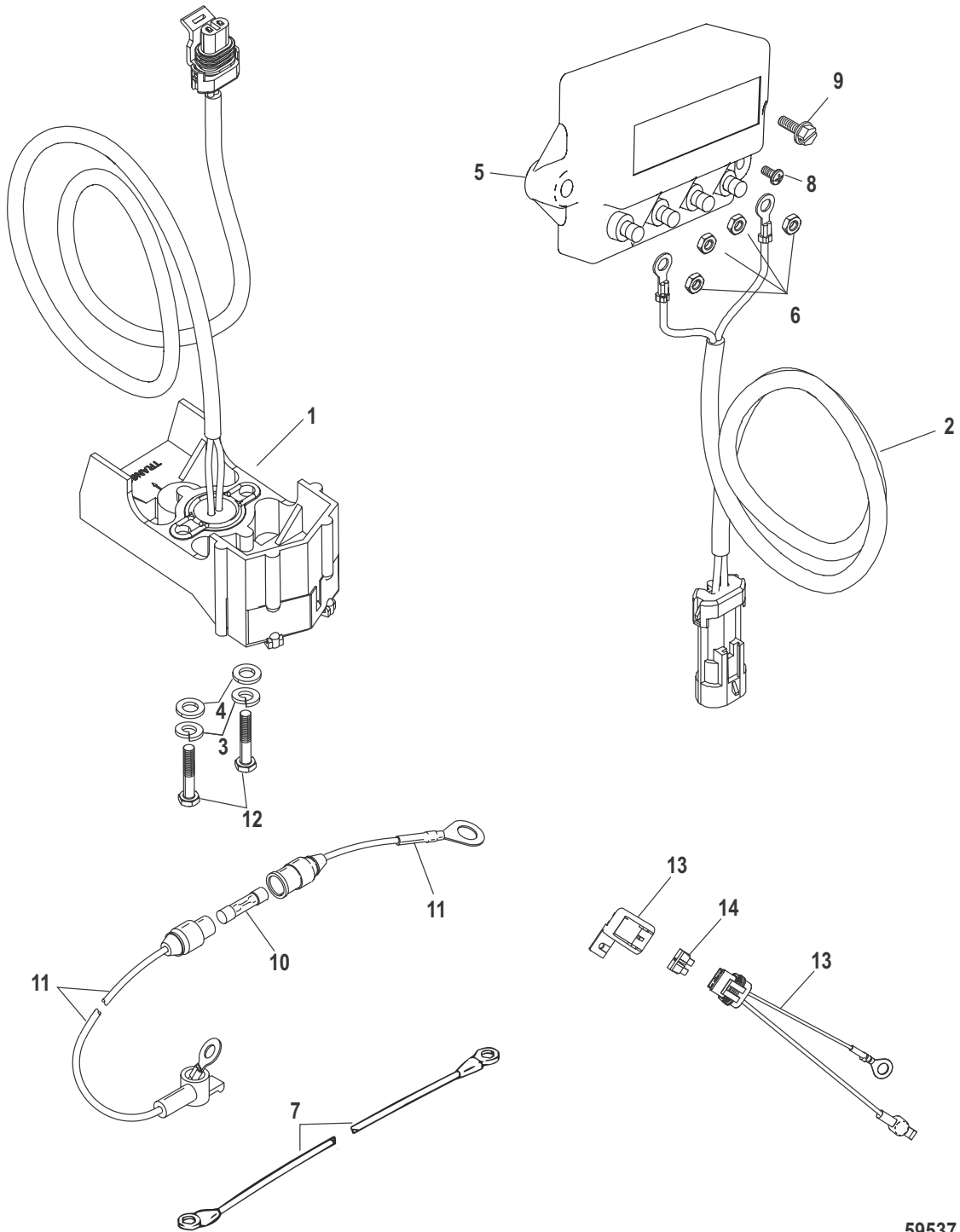


37149

## Engine Mounts

Ref #	Part Class	Part Number	Description	Comments	Qty	Note
1	0000	79550A1	BRACKET Engine Mounting		2	
2	0010	40001197	SCREW (M10 x 35)		2	
3	0016	861580	STUD Double Ended Metric	Port	2	
3	0010	40001195	SCREW (M10 x 30)	Starboard	2	
4	0000	814263A1	BASE ASSEMBLY		2	
4	0000	866708T01	BASE ASSEMBLY	(SEACORE)	2	
5	0011	816331	NUT (.750-16) Jam		2	
5	0011	866710	NUT (.750-16) Stainless Steel	(SEACORE)	2	
6	0014	12657	TAB WASHER		2	
7	0011	859126	NUT (.750-16) Jam		2	
7	0011	18304	NUT Jam	(SEACORE)	2	
8	0013	68102	LOCKWASHER (.750)		2	
8	0013	33164	LOCKWASHER Stainless (.750)	(SEACORE)	2	
9	0012	44164	WASHER	(SEACORE)	2	

Mercathode Kit



59537

## Mercathode Kit

Ref #	Part Class	Part Number	Description	Comments	Qty	Note
1	0000	98869A17	ELECTRODE ASSEMBLY With Quick Connectors		1	
2	0084	865181T01	HARNESS ASSEMBLY Mercathode		1	
3	0013	26992	LOCKWASHER (.250) Stainless Steel		2	
4	0012	29245	WASHER (.281 x .500 x .060) Stainless Steel		2	
5	0000	42600A09	MERCATHODE ASSEMBLY		1	
6	0011	68219	NUT (#10-32) Stainless Steel		4	
7	0084	88543A3	CABLE ASSEMBLY		1	
8	0010	62568	SCREW (#10-16 x .375)		1	
9	0010	4010516	SCREW (M5 x 16) Stainless Steel		2	
10	0088	79091	FUSE 20 Ampere		1	
11	0084	95084A9	CABLE ASSEMBLY (91.00 Inches) Red/Purple Strip		1	
11	0084	95084A10	CABLE ASSEMBLY (5.00 Inches) Red		1	
12	0010	45862	SCREW (#10-32 x .875)		1	
13	0084	8M0060271	CABLE ASSEMBLY		1	
14	0000	862646	FUSE Tan - 5 Ampere		1	

Gasket Set Components (27-883231A 1) Engine

## Gasket Set Components (27-883231A 1) Engine

Ref #	Part Class	Part Number	Description	Comments	Qty	Note
-	0027	883231A1	GASKET SET Engine		1	
-	0025	32509	O-RING (.489 x .070)		4	
-	0025	8071341	SEAL		1	
-	0026	42077	SEAL		2	
-	0026	861947	SEAL		1	
-	0026	865066	SEAL Heat Exchanger to Crossover		2	
-	0026	862957	SEAL Oil Filter Adaptor		1	
-	0027	49955	GASKET Drain		2	
-	0027	863112	GASKET Idle Air Valve		1	
-	0027	863215	GASKET Throttle Body		2	
-	0027	863285	GASKET Air Valve		1	
-	0027	881620001	GASKET Cylinder Head to Crossover		2	
-	0027	46820	GASKET Exhaust Manifold to Cylinder Head		2	

Gasket Set Components (27-889924A02) Overhaul

## Gasket Set Components (27-889924A02) Overhaul

Ref #	Part Class	Part Number	Description	Comments	Qty	Note
-	0027	889924A02	GASKET SET Overhaul		1	
-	0025	32509	O-RING (.489 x .070)		4	
-	0026	42077	SEAL		3	
-	0027	46820	GASKET Exhaust Manifold to Cylinder Head		2	
-	0027	49955	GASKET Drain		2	
-	0025	8071341	SEAL		1	
-	0026	861947	SEAL		1	
-	0026	862957	SEAL Oil Filter Adaptor		1	
-	0027	863112	GASKET Idle Air Valve		1	
-	0027	863215	GASKET		2	
-	0027	863285	GASKET Air Valve		1	
-	0026	865066	SEAL Heat Exchanger to Crossover		2	
-	0027	879150064	GASKET		1	
-	0027	881603001	GASKET Circulating Pump		2	
-	0027	881604	GASKET Front Cover		1	
-	0026	881608001	SEAL Rear Crankshaft		1	
-	0026	881613001	SEAL Front Crankshaft		1	
-	0027	881612	GASKET Oil Pan		1	
-	0027	881620001	GASKET Cylinder Head to Crossover		2	
-	0027	881622	GASKET Cylinder Head Cover		2	
-	0026	881637T	SEAL Valve Stem Oil		16	
-	0027	895235	GASKET SET Intake Manifold and Valley		1	
-	0027	881631	GASKET Cylinder Head		1	



# PARTS INDEX

Part No.	Description	Pg.	Ref.no	Part No.	Description	Pg.	Ref.no
12038	WASHER	44	12	12038	WASHER	48	12
12038	WASHER	56	8	12427	TOOL Shift Adjust	62	18
12524	PLUG (.375-18 x .475) Brass	44	2	12524	PLUG (.375-18 x .475) Brass	48	6
12657	TAB WASHER	72	6	14761	SHAFT AND RETAINER Oil Pump Drive	30	31
15878	PIN Clevis	58	21	16419	PIN Clevis	58	22
17645	O-RING Reservoir End	68	15	18304	NUT Jam	72	7
18529	PUMP ASSEMBLY With Screws	68	13	18545A1	REPAIR KIT	68	NS
1940971	HOSE (54.00 Inches Bulk)	60	7	19697	ELBOW	40	6
1993325	SCREW (M10 x 25 MM)	42	4	20533	WASHER	18	21
20533	WASHER	18	31	210711	COTTER PIN	62	10
210711	COTTER PIN Cotter	62	16	21825	NUT (.250-28)	66	19
22937	WASHER	56	25	25908	WASHER (.265 x .812 x .0625)	66	16
25909	WASHER (.406 x .812 x .065)	42	21	26419	NUT (#8-32) Brass	66	9
26802	O-RING (.424 x .103)	52	6	26802	O-RING (.424 x .103)	54	11
26992	LOCKWASHER (.250) Stainless Steel	66	13	26992	LOCKWASHER (.250) Stainless Steel	66	18
26992	LOCKWASHER (.250) Stainless Steel	74	3	26996	LOCKWASHER (#10) Stainless Steel	8	6
26996	LOCKWASHER (#10) Stainless Steel	34	17	29085	FITTING Elbow (45 Degree)	36	44
29245	WASHER (.281 x .500 x .060) Stainless Steel	66	26	29245	WASHER (.281 x .500 x .060) Stainless Steel	74	4
31866	SPACER (.256 x .313 x .625)	18	30	32509	O-RING (.489 x .070)	76	-
32509	O-RING (.489 x .070)	78	-	328571	COTTER PIN	62	6
328571	COTTER PIN	64	5	33164	LOCKWASHER Stainless (.750)	72	8
34487	PLUG (.375-18 x .42) Pipe, Oil Galley	34	14	34487	PLUG (.375-18 x .42) Pipe, Oil Galley	36	35
34567	WASHER	42	8	34931	WASHER (.406 x .734 x .063) Stainless Steel	64	15
34948	SPACER	56	14	35044	WASHER (.281 x .625 x .065) Stainless Steel	56	25
35044	WASHER (.281 x .625 x .065) Stainless Steel	70	5	35048	LOCKWASHER (.375)	66	29
35462	WASHER (.2656 x .625 x .0625) Stainless Steel	62	9	35462	WASHER (.2656 x .625 x .0625) Stainless Steel	64	14
35777	WASHER (.5156 x 1.375 x .125) Aluminum	42	13	36183	RETAINER Oil Pump Drive	30	32
38407	PLUG (.500-14) Pipe	34	18	40001195	SCREW (M10 x 30)	14	6
40001195	SCREW (M10 x 30)	42	20	40001195	SCREW (M10 x 30)	72	3
40001197	SCREW (M10 x 35)	42	4	40001197	SCREW (M10 x 35)	72	2
40001203	SCREW (M10 x 45)	42	4	4000327	SCREW (M6 x 14)	56	22
4000328	SCREW (M6 x 16)	40	14	4000328	SCREW (M6 x 16)	54	12
4000331	SCREW (M6 x 30)	52	11	4000331	SCREW (M6 x 30)	54	15
4000354	SCREW (M8 x 30)	48	13	4000354	SCREW (M8 x 30)	58	5
4000374	SCREW (M10 x 16)	52	18	40011151	SCREW (M8 x 35) Stainless Steel	18	36
40011151	SCREW (M8 x 35) Stainless Steel	44	5	40011151	SCREW (M8 x 35) Stainless Steel	64	9
40011155	SCREW (M8 x 55) Stainless Steel	64	16	40011158	SCREW (M8 x 70) Stainless Steel	44	6
4002030	NUT (M8)	10	18	4002030	NUT (M8)	44	13
4002030	NUT (M8)	56	7	400211	NUT (M5) Stainless Steel	8	5
400212	NUT (M6) Stainless Steel	8	17	400213	NUT (M8) Stainless Steel	10	18
400213	NUT (M8) Stainless Steel	56	7	4002314	WASHER	52	15
400247	LOCKWASHER (M8)	8	4	400248	LOCKWASHER (M10)	42	7
4006731	SCREW (M6 x 16)	18	26	4008820	SCREW (M6 x 20)	20	39
4008820	SCREW (M6 x 20)	22	4	4008845	SCREW (M6 x 45)	22	5
4009025	SCREW (M10 x 25) Stainless Steel	30	35	4010516	SCREW (M5 x 16) Stainless Steel	74	9
4010716	SCREW (M8 x 16)	12	10	4010716	SCREW (M8 x 16)	36	39
4010716	SCREW (M8 x 16)	44	18	4010716	SCREW (M8 x 16) Flange	56	6
4010716	SCREW (M8 x 16)	62	17	4010720	SCREW (M8 x 20)	14	3
4010720	SCREW (M8 x 20)	56	4	4010720	SCREW (M8 x 20)	58	9
4010725	SCREW (M8 x 25)	12	9	4010725	SCREW (M8 x 25)	44	11
40108120	SCREW (M10 x 120) Hex Flange - Stainless Steel	8	11	4010816	SCREW (M10 x 16) Hex Flange - Stainless Steel	54	20
4010816	SCREW (M10 x 16) Hex Flange - Stainless Steel	58	11	4010820	SCREW (M10 x 20) Hex Flange - Stainless Steel	12	2
4010820	SCREW (M10 x 20) Hex Flange - Stainless Steel	12	7	4010820	SCREW (M10 x 20) Hex Flange - Stainless Steel	14	4
4010820	SCREW (M10 x 20) Hex Flange - Stainless Steel	54	26	4010835	SCREW (M10 x 35) Hex Flange - Stainless Steel	8	16
4010845	SCREW (M10 x 45) Hex Flange - Stainless Steel	54	21	4010890	SCREW (M10 x 90) Hex Flange - Stainless Steel	58	13
40125100	NUT (M10)	42	6	401366	NUT (M6) Stainless Steel	56	24
401368	NUT (M8) Stainless Steel	8	12	4013710	NUT (M10)	42	6
41471	LOCKWASHER (.375)	44	25	41471	LOCKWASHER (.375)	46	10
41471	LOCKWASHER (.375)	46	13	41508	SCREW (.250-20 x .500) Stainless Steel	66	8
42077	SEAL	56	9	42077	SEAL Swivel Tube	56	18
42077	SEAL	76	-	42077	SEAL	78	-

# PARTS INDEX

Part No.	Description	Pg.	Ref.no	Part No.	Description	Pg.	Ref.no
424632	STUD (M8 x 37.1)	44	19	424632	STUD (M8 x 37.1)	56	13
42600A09	MERCATHODE ASSEMBLY	74	5	4285069	HOSE (44.00 Inches Bulk) Water Rail to &quot;Y&quot; Fitting	50	14
44164	WASHER	72	9	44267A02	ELBOW KIT	46	3
44348001	TUBE Exhaust	46	1	45862	SCREW (#10-32 x .875)	74	12
46335	NUT (.375-24)	64	13	46820	GASKET Exhaust Manifold to Cylinder Head	44	4
46820	GASKET Exhaust Manifold to Cylinder Head	76	-	46820	GASKET Exhaust Manifold to Cylinder Head	78	-
46950	COTTER PIN	58	23	46950	COTTER PIN	70	13
475451	CLIP	56	15	48340	PLUG (.250-18 x .41) Oil Galley	34	14
48340	PLUG (.250-18 x .41) Oil Galley	36	35	48341	PLUG (.125-27 x .375) Oil Galley	34	2
48341	PLUG (.125-27 x .375) Oil Galley	34	14	48341	PLUG (.125-27 x .375) Oil Galley	36	34
48341	PLUG (.125-27 x .375) Oil Galley	36	35	48409	SCREW (#10-16 x .625) Stainless Steel	66	21
4865912	HOSE 3.75 X 15.00	46	5	49955	GASKET Drain	40	7
49955	GASKET Drain	76	-	49955	GASKET Drain	78	-
52190	PIN Cylinder Head Locating	34	6	53167	SCREW (.312-18 x .880)	62	5
54012	WASHER (.530 x .870 x .105) Stainless Steel	42	15	54530	KEY Valve Stem	26	11
5495025	TUBING (25.00 Feet Bulk) Cut to Length	70	12	56720	WASHER (.330 x .750 x .060) Stainless Steel	62	8
58041	BALL	26	18	58491	CHANNEL Rubber (4.00 Inches)	66	28
58640	SCREW (.375-16 x 1.25)	46	9	59784	SCREW (.250-10 x 1.00)	66	27
62568	SCREW (#10-16 x .375)	74	8	627021	O-RING (.301 x .070)	44	17
62826A6	CABLE ASSEMBLY Ground (13.00 Inches) Black Grounding	42	11	629101	FITTING Elbow - 90 Degree (.125-27)	48	17
63341	TEE NUT	62	12	64013	FITTING (.375 Male To .125 Female) Reducer	36	45
64014	SCREW (.250-28 x .500)	18	12	65567	WASHER (.265 x .750 x .048) Stainless Steel	10	13
65653	CLIP	40	8	68102	LOCKWASHER (.750)	72	8
68219	NUT (#10-32) Stainless Steel	34	10	68219	NUT (#10-32) Stainless Steel	74	6
68292	NUT (.312-18)	66	23	68402	PIN (.250 x 1.13) Clevis	62	15
74036	FITTING Grease	42	19	75983	PLUG	26	20
76596	SCREW (.250-20 x 1.250)	42	10	78945	J CLAMP Harness Support	42	16
79023A10	FUSE ASSEMBLY 110 Ampere	66	15	79023A91	FUSE ASSEMBLY 90 Ampere	8	7
79091	FUSE 20 Ampere	74	10	79138A9	CABLE ASSEMBLY (6.00 Feet) Black-Negative Negative	66	11
79139A12	CABLE ASSEMBLY Red-Positive Battery - Positive	66	17	79147A09	HARNES ASSEMBLY With Packard Connector	66	3
79550A1	BRACKET Engine Mounting	72	1	79695	BOOT Insulator - Black	8	9
801883	NUT	26	19	802561	STUD	18	24
802561	STUD Throttle Body	24	24	802631	VALVE AND CAP KIT Fuel Pressure Service	24	17
802837A1	OIL Quarts @ 12 Mercury Branded	2	-	802837Q1	OIL Quarts @ 12 Quicksilver Branded	2	-
802839A1	OIL Gallons @ 6 - Mercury Brand Mercury Branded	2	-	802893Q	FILTER Fuel/Water Separating - Quicksilver Brand Qicksilver Branded	2	-
802893T	FILTER Fuel/Water Separating - Mercury Brand Mercury Branded	2	-	803852	COUPLING	68	11
804352	CLIP Relay Mounting	10	4	805059	FITTING Reducer Bushing	36	46
805063	O-RING (.301 x .070)	40	NS	805218T	SENSOR Coolant	48	7
805223T	SENSOR Manifold Air Temperature	24	2	805398	PIN Primary Linkage	18	19
805400	SCREW (#8-32 x .500) Stainless Steel	18	10	805524	CLIP	40	11
805526	STUD (.250-28 x 1.540)	18	20	805533	SCREW (M8 x 35)	18	15
805563	CONNECTOR (.500 Inch NPTF To .500 Inch Inverted Flare) Oil Hose	34	11	805563	CONNECTOR (.500 Inch NPTF To .500 Inch Inverted Flare)	56	26
805632	CONNECTOR Filter Adaptor	56	28	80617382	HOSE (58.00 Inches Bulk)	14	10
806193A46	LUBE BOTTLE Drive Lube	60	1	806232	O-RING (.239 x .064)	58	24
806328	FITTING Oil Adaptor	56	10	806490T	SENDER Temperature	48	8
806608A02	PLUG ASSEMBLY (.500-13) Blue	52	5	806608A02	PLUG ASSEMBLY (.500-13) Blue	54	10
8067271	CAP Drive Lube Monitor Drive Lube Reservoir	60	2	806949	NUT (M8-1.5)	8	3
807130A4	PIPE Exhaust	46	6	8071341	SEAL	76	-
8071341	SEAL	78	-	807166A1	SHUTTER ASSEMBLY Water	46	7
807167	GROMMET	46	8	807260A2	COVER KIT Flywheel	42	9
807296	NUT (.250-20)	42	NS	807377T	SOLENOID 24 Volt	66	6
807378A2	PUMP ASSEMBLY Trim - 24 Volt - Complete	66	1	807378T	PUMP/MOTOR ASSEMBLY 24 Volt	66	2
807445T	CLAMP Cooler Bracket	56	23	807962A15	BRACKET ASSEMBLY	62	1
8079921	COVER Hose Clamp End	58	NS	8079923	COVER Hose Clamp End	18	NS
8079923	COVER Hose Clamp End	44	NS	8079923	COVER Hose Clamp End	48	N.S.
8079923	COVER Hose Clamp End	50	-	808009T11	SWITCH ASSEMBLY	62	20
808023T	STRAP Bracket	60	4	808547	O-RING	18	7

# PARTS INDEX

Part No.	Description	Pg.	Ref.no	Part No.	Description	Pg.	Ref.no
808624	CONNECTOR Lube Reservoir	60	5	808728T	ADAPTER ASSEMBLY	68	10
812498A1	VALVE KIT Relief	68	NS	812499A1	VALVE KIT Relief	68	NS
812619	FUSE Yellow - 20 Ampere	66	4	812987	SCREW (#10-24 x 1.250)	70	8
814263A1	BASE ASSEMBLY	72	4	814878	O-RING Special	48	34
815425T	SENDER ASSEMBLY Oil Pressure	34	13	815504105	CLAMP Worm Gear (11-18 mm)	58	18
815504206	CLAMP Worm Gear	18	34	815504206	CLAMP Worm Gear	22	9
815504206	CLAMP Worm Gear	48	20	815504210	CLAMP Worm Gear	58	19
815504212	CLAMP Worm Gear Hose	14	8	815504212	CLAMP Worm Gear Hose	48	24
815504212	CLAMP Worm Gear Hose	50	7	815504212	CLAMP Worm Gear	50	19
815504216	CLAMP Worm Gear (1.56 Diameter)	44	9	815504216	CLAMP Worm Gear (1.56 Diameter)	50	9
815504222	CLAMP Worm Gear (1.98 Diameter)	50	2	815504224	CLAMP Worm Gear	14	9
815504224	CLAMP Worm Gear	50	4	815504232	CLAMP Worm Gear (2.50 Diameter)	48	30
815504272	CLAMP Worm Gear	46	2	815504272	CLAMP Worm Gear	46	4
815504280	CLAMP Worm Gear	48	18	816331	NUT (.750-16) Jam	72	5
816492A15	ALARM KIT	12	11	816585	SCREW (.312-18 x .875)	58	6
81893412	SCREW (M8 x 12)	48	28	8204511	STUD (M8 x 55)	44	10
82130025	SCREW (M6 x 25)	10	12	82130025	SCREW (M6 x 25)	58	4
823444	SCREW	68	9	824459110	SCREW (M8 x 110) Stainless Steel	8	14
824459120	SCREW (M8 x 120) Stainless Steel	8	14	826292	NUT (M10) Brass/Nickel Plated Knock Sensor	36	42
826292	NUT (M10) Brass/Nickel Plated	52	20	826292	NUT (M10) Brass/Nickel Plated	54	23
826365	NUT (M8) Nylock	52	8	826709106	NUT (#10-32) Stainless Steel	10	8
826709109	NUT (.250-28) Stainless Steel	18	22	826709109	NUT (.250-28) Stainless Steel	18	32
826709109	NUT (.250-28) Stainless Steel	64	12	8267119	NUT (.250-28)	8	8
8267139	NUT (.250-28)	18	22	8267139	NUT (.250-28)	18	32
828054	COVER Fuse	12	14	828054	COVER Fuse	66	5
830861	SCREW (#8-32 x .625)	10	10	831960	COVER Fuse	10	6
83296915	FUSE Mini - Blue - 15 Ampere	10	2	83296920	FUSE Mini - Yellow - 20 Ampere	10	2
834985	GROMMET	10	14	841807	O-RING (3.500 x .103)	54	3
843378	PIN Dowel Oil Pump Locating	30	22	843378	PIN Dowel	34	15
843378	PIN Dowel Camshaft Sprocket Location	34	21	845754	GUIDE Valve Lifter	26	13
845755	RETAINER Valve Lifter Guide	24	6	845941	RETAINER Camshaft	34	22
850463	ROTATOR Valve	26	7	850464	CAP Valve Spring	26	10
850467	LIFTER Valve	26	12	853678T	SENSOR TPS Includes O-Ring	18	3
853680	SCREW KIT	18	4	854309	STUD (M10 x 76)	54	22
8552141	FITTING Straight Hose	48	25	856594	FITTING Barbed	70	11
85684	BEARING SET	34	16	856954	BUSHING Electrical Plate	10	15
858049Q01	25W40 SD/IB OIL 1 Gallon Quicksilver Branded	2	-	858754	COVER Fuse	10	6
859126	NUT (.750-16) Jam	72	7	860065A1	BRACKET KIT Oil Bottle, Drive Lube Reservoir	60	3
860222A1	RESONATOR Exhaust	44	26	861163	QUICK CONNECTOR (90 Degree) To Transom	60	6
861405	FITTING	50	20	861406	SOCKET	50	21
861427	CAP	50	23	861577	STUD Double Ended Metric (M10) Grounding	42	5
861580	STUD Double Ended Metric	72	3	861680	INSULATOR	66	20
861776A2	PLATE KIT	44	23	861776A2	PLATE KIT	46	11
861788	SCREW (M10 x 1.5) Special	8	2	86194210	GAUGE Oil Level	40	4
861944A1	RESERVOIR Coolant	48	21	861947	SEAL	48	4
861947	SEAL	76	-	861947	SEAL	78	-
861949T	RETAINER Thermostat	48	11	862037	SEAL Oil	54	4
862039	TOLERANCE RING	54	6	862040	SEAL Lip	54	7
862232A2	IMPELLER	54	2	862235A1	DRIVESHAFT ASSEMBLY Impeller	54	5
862342T	BRACKET Remote Oil Filter	56	1	862346T	BRACKET Front Lifting Eye	12	1
862347T	BRACKET Lifting Eye, Rear	12	6	862349	PULLEY Crankshaft	30	34
862351T	PULLEY	54	16	862356	GASKET Elbow to Manifold	44	15
8623601	PLUG Fuel Rail Outlet	24	25	862365	COVER Engine	6	1
862537T	FLAME ARRESTOR	22	6	862538T	ADAPTER Throttle Body	22	2
862548A1	BRACKET KIT Floor or Transom Mounted	66	25	862583	PULLEY Circulating Pump	36	38
862646	FUSE Tan - 5 Ampere	12	13	862646	FUSE Tan - 5 Ampere	74	14
862777	FLANGE Drain	40	13	862827	TETHER ASSEMBLY	40	10
862863	CAP Coolant Reservoir	48	22	862870T	ADAPTER Oil Filter	56	16
8629091	BRACKET Shift	12	8	8629091	BRACKET Shift Plate	64	2
862909T01	SHIFT ACTUATOR ASSEMBLY Complete	64	-	8629102	BRACKET Support	56	5
862914A13	HOUSING ASSEMBLY Impeller	54	1	862914T12	PUMP KIT Sea Water	52	2

# PARTS INDEX

Part No.	Description	Pg.	Ref.no	Part No.	Description	Pg.	Ref.no
862914T12	PUMP KIT Sea Water	54	-	862915	STUD (.250-18/M10 Special) Knock Sensor	36	41
862957	SEAL Oil Filter Adaptor	56	17	862957	SEAL Oil Filter Adaptor	76	-
862957	SEAL Oil Filter Adaptor	78	-	862958	FITTING Oil Filter Adaptor	56	19
862969A2	MANIFOLD ASSEMBLY Air	52	14	862986	BRACKET Coolant Reservoir	48	27
862993	FITTING Y, (2) 1-1/4 In. Hose Barbs / (1) 3/4 In. Hose Barb	50	18	862995	SPACER	10	16
862996	BRACKET Throttle Linkage	20	42	862997A1	MOUNTING PLATE Intake Air Control	20	43
862998	VALVE Idle Air	18	38	862999A3	PLUG KIT Adaptor, Intake Air Control	18	6
863006	O-RING (10.82 x 1.78)	18	8	863020043	OWNERS MANUAL Mechanical Throttle and Shift	2	-
863051	HOSE Water Drain to Heat Exchanger	50	13	8630542	HOSE (40.00 Inches Bulk) Grey	52	22
8630552	HOSE (40.00 Inches Bulk) Green	52	21	8630561	HOSE (42.00 Inches Bulk) Black Air	52	9
863057	PUMP Air	52	12	863059	BRACKET Air Pump	52	19
863077T	ALTERNATOR ASSEMBLY Black	8	10	863085T	FLAME ARRESTOR	20	41
863095	HOSE Elbow to Manifold	44	8	863102	HOSE	44	21
863112	GASKET Idle Air Valve	18	37	863112	GASKET Idle Air Valve	76	-
863112	GASKET Idle Air Valve	78	-	863121	STUD (M8 x 194)	44	22
863132	SPACER Shift Arm	64	8	863133	SPACER Actuator	64	6
8631341	LEVER Shift Arm	64	7	863135	LEVER Throttle	18	11
863151	SEAL Quad Ring	14	13	863153	BRACKET Throttle Cable Attaching	18	25
8631541	ARM Cable	18	16	863161	SERVICE MANUAL	2	-
863174	DRIVER	70	3	863175	ADAPTER Sensor	70	2
863176	PIN	70	4	863177	GUIDE	70	7
863178	BRACKET Steering Sensor	70	6	863179	PIN Clevis	70	14
863188A3	SENSOR KIT Steering Pitot	70	-	863188T	SENSOR Steering	70	1
863214	LINK	18	14	863215	GASKET Throttle Body	18	2
863215	GASKET	22	3	863215	GASKET Throttle Body	76	-
863215	GASKET	78	-	86322A15	CABLE ASSEMBLY (5.50 Inches) Black	66	22
86322A24	CABLE ASSEMBLY (4.00 Inches)	66	10	863285	GASKET Air Valve	18	35
863285	GASKET	24	27	863285	GASKET Air Valve	76	-
863285	GASKET Air Valve	78	-	863289	NUT (M6)	10	19
863289	NUT (M6)	18	23	863303	HOSE Coolant Bleed	48	19
863304	HOSE Reservoir to Crossover	48	23	863306	DECAL Base	6	3
863307	DECAL High Output	6	3	863313	DECAL Specification (Base)	6	4
863316	DECAL Specification (High Output)	6	4	8633221	SCREW (M6 x 65) Black	6	2
863332	NUT (.500-20) Aluminum	42	17	863345	STUD Special	18	13
863355	DECAL Caution Heat Exchanger	48	NS	863358T	THERMOSTAT 71°C (160°F)	48	9
863376	STUD Stainless (M10 x M10)	42	5	863380	SCREW Special	18	17
863388	SCREW (M10 x 16)	48	26	863389	FITTING Oil Gauge Tube	40	5
863392	PAD Heat Exchanger	48	16	863393	CLAMP Flame Arrestor	20	40
863393	CLAMP	22	7	863427	FITTING Air Valve	18	9
863481	CLAMP	40	12	863609	SCREW (M6 x 14)	48	5
863622001	SPARK PLUG	2	-	863622001	SPARK PLUG	28	35
863674A04	COVER KIT Impeller Housing	54	8	863717A2	ACTUATOR ASSEMBLY Water Drain	52	1
863734	SPACER	6	6	863734	SPACER	18	27
863748	DECAL Mercury	6	5	863771T	CROSSOVER Coolant	48	1
863820T1	COOLER Power Steering	58	28	863829	MUFFLER Intake Air Control	18	5
863859T	BRACKET	52	10	863859T	BRACKET Sea Water Pump	54	14
863863T	BRACKET Actuator Mounting	52	7	863894	HOSE Power Steering Cooler to Oil Cooler	50	10
863899	HOSE Oil, Filter to Adaptor	56	11	863900	HOSE Oil, Filter to Cooler	56	12
863903A01	HEAT EXCHANGER	48	15	863904T	COOLER Oil	56	20
863905T	BRACKET Oil Cooler	56	21	863911A12	LEVER ASSEMBLY	62	13
863915	HOSE Oil, Cooler to Adaptor	56	27	864229	HOSE Pump to Reservoir	58	15
864262	HOSE Air Bypass	18	33	864340A2	STARTER MOTOR ASSEMBLY	8	1
864346	DECAL Flush Operation	2	-	864361	STUD	64	10
864386	SPACER Switch	64	19	86438765	HOSE (34 Inches) Water	50	22
864468T	BRACKET	14	5	864488	HOSE Heat Exchanger to Port Exhaust Manifold Drain	50	8
864597T	BRACKET	14	2	864616	RETAINER Shift Cable	64	3
864650A05	MODULE KIT Fuel Pump	14	1	864650A05	MODULE KIT Fuel Pump Complete	16	-
864668	HOSE	22	8	864839060	OWNERS MANUAL Digital Throttle and Shift	2	-
864839061	OWNERS MANUAL 496 Sterndrive	2	-	864887	SCREW (M5)	52	16

# PARTS INDEX

Part No.	Description	Pg.	Ref.no	Part No.	Description	Pg.	Ref.no
864996	TUBE Oil Fill	24	11	864997	CAP Oil Fill Tube	24	12
865066	SEAL Heat Exchanger to Crossover	48	14	865066	SEAL Heat Exchanger to Crossover	76	-
865066	SEAL Heat Exchanger to Crossover	78	-	865076	SCREW (6-32 x 1.25)	64	18
865078	SEAL Thermostat	48	10	865147	SCREW (#6-32 x .750) Stainless Steel	62	19
865148	SHOULDER SCREW (.312-18 x 1.843) Stainless Steel Shoulder	62	14	865154A02	STUD KIT (.250-20/.250-28 x 2.120) With Cotter Pin	62	2
865181T01	HARNESS ASSEMBLY Mercathode	74	2	865191	FITTING Male Quick Connect	60	9
865205	CLIP Fuse Block Mounting	10	3	865208T01	HOSE ASSEMBLY 3 Bib Orifice Meter	14	7
865208T01	HOSE ASSEMBLY 3 Bib Orifice Meter	50	12	865217	TUBE Engine Oil Gauge	40	3
865221	HOSE Crossover to Pump	48	29	865235	HOSE Water Orifice to Power Steering Cooler	50	5
865257	HOSE Fuel Module to Fuel Rail	14	11	865262A01	BRACKET ASSEMBLY	56	3
865262A01	BRACKET ASSEMBLY	58	3	865263	CAP Oil Reservoir - Brown	58	2
865264A02	RESERVOIR KIT	58	-	865264T	RESERVOIR ASSEMBLY Oil - Power-Assisted Steering	58	1
865265	HOSE Oil Cooler to Port Drain Housing	50	11	865280	HOSE Oil Drain	40	9
865281	HOSE Oil Drain	40	9	865288	FITTING Gray (90 Degree)	52	3
865288	FITTING Gray (90 Degree)	54	9	865289	FITTING Orange (90 Degree)	52	4
865289	FITTING Orange (90 Degree)	54	9	865294	HOSE Heat Exchanger to Starboard Exhaust Manifold Drain	50	16
865324	QUICK CONNECT Female	50	15	865326	STUD (M8 x 30)	16	9
865330A02	MOUNT KIT Rubber	42	2	865331A01	ELBOW Exhaust	44	7
865332A01	ELBOW Exhaust	44	7	865341A03	FITTING ASSEMBLY Drain - Stainless Steel	44	3
865362	QUICK CONNECT Male	50	17	865373	CLAMP Hose	48	31
865379	FITTING Female Quick Connect	60	8	865380A13	PUMP/MOTOR ASSEMBLY Trim - 12 Volt	66	2
865380A13	PUMP/MOTOR ASSEMBLY Trim - 12 Volt	68	1	865380A25	PUMP ASSEMBLY Trim - Complete	66	1
865383A02	ACTUATOR ASSEMBLY Steering	58	20	865390015	HOSE Male Quick Connect Cylinder to Cooler	58	14
865393A02	STUD KIT (.250-28 x 1.90) With Cotter Pin	62	11	865412001	FITTING Stainless Steel Male Quick Connect	68	7
865413002	FITTING Stainless Steel Female Quick Connect	68	5	865414001	FITTING	58	27
865415	FITTING	58	26	865417	FITTING Female Quick Connect	70	15
865434A02	RETAINER KIT Shift Cable, With Cotter Pin	62	3	865444T	PULLEY (3.50 Inch Diameter) Idler, Grooved	54	18
865448A01	CAP Oil Reservoir	68	17	865457T06	HARNESS ASSEMBLY Engine	10	NS
865457T06	HARNESS ASSEMBLY Engine	12	3	865594T01	BRACKET Alternator	8	13
865595T01	BRACKET Power Steering Pump	58	10	865596T01	BRACKET Idler Pulley	54	17
865597T	TENSIONER Belt	54	24	865598	PULLEY	58	12
865635001	BELT Serpentine	8	18	865639T	BRACKET	10	11
865653T04	HARNESS ASSEMBLY Engine	10	NS	865653T04	HARNESS ASSEMBLY Engine	12	3
865657A04	HOUSING ASSEMBLY Flywheel	42	1	865672079	HOSE (.96.00 Inches Bulk) Cut to 19 Inches	50	1
86567231	HOSE (13.00 Inches) Cut to 8 Inches	50	24	865677T01	HARNESS ASSEMBLY Transom	10	NS
865677T01	HARNESS ASSEMBLY Transom	12	5	865677T01	HARNESS ASSEMBLY Transom Harness	70	18
865710T	PUMP ASSEMBLY .75 Shaft Diameter Power Steering	58	7	865713	HOSE Exhaust Manifold Drain to Water Orifice	50	6
865717	HOSE Reservoir to Cooler	58	17	865748	DECAL Belt Route	2	-
865752A01	LONGBLOCK ASSEMBLY Base	2	-	865752A01	LONGBLOCK ASSEMBLY Base	30	NS
865752A01	LONGBLOCK ASSEMBLY	34	NS	865754A01	LONGBLOCK ASSEMBLY High Output	2	-
865754A01	LONGBLOCK ASSEMBLY High Output	30	NS	865754A01	LONGBLOCK ASSEMBLY	34	NS
865771A02	HARNESS ASSEMBLY Adapter - Molded 3 Pin Male To Packard 3 Pin Male	66	7	865774T01	HARNESS ASSEMBLY Trim Pump	70	17
865777	PULLEY Idler, Non-Grooved	54	19	865795	PULLEY Power Steering	58	8
865827T	BREAKER Circuit - 50 Ampere	10	7	865828A02	FITTING ASSEMBLY Drain	44	3
865865	HOSE Sea Water Pump to Water Orifice	50	3	865891T02	HARNESS ASSEMBLY Fuel/Paddle	70	16
865913A01	DIODE ASSEMBLY	12	4	866050062	INSTALLATION MANUAL CD	2	-
866090T04	PCM Propulsion Control Module Base	10	17	866091T04	PCM Propulsion Control Module High Output	10	17
866114	SCREW (.250-28) Special	14	14	866114	SCREW (.250-28) Special	16	29
866169A01	PUMP ASSEMBLY Fuel - High Pressure	16	15	866170A01	PUMP ASSEMBLY Fuel - Low Pressure	16	11
866171A01	FILTER	16	26	866178T01	MANIFOLD ASSEMBLY Cast-Iron Alloy Exhaust	44	1
866340K01	FILTER Oil - Mercury Brand	2	-	866340Q02	FILTER Oil - Quicksilver Brand	2	-
866340Q02	FILTER Oil - Quicksilver Brand	56	2	866361T05	PCM Propulsion Control Module Base	10	17
866363T03	PCM Propulsion Control Module High Output	10	17	866509	HOSE Pressure Pump to Cylinder	58	16
866576A04	THROTTLE BODY ASSEMBLY	18	1	866577A04	THROTTLE BODY ASSEMBLY	18	1
866592A04	THROTTLE BODY ASSEMBLY	22	1	866641A01	STUD KIT	18	28
866687	HOSE Pressure Pump to Cylinder	58	16	866708T01	BASE ASSEMBLY	72	4
866710	NUT (.750-16) Stainless Steel	72	5	866759	DECAL 496 Base	2	-
866760	DECAL 496 HO	2	-	866761	DECAL Seacore Logo	2	-

# PARTS INDEX

Part No.	Description	Pg.	Ref.no	Part No.	Description	Pg.	Ref.no
866768T	RISER (6 Inch)	44	20	86885	SCREW (.250-20 x 1.500) Stainless Steel	42	10
877770K1	COOLANT MPP, 1 Gallon Mercury Branded	2	-	878187	SENSOR ASSEMBLY Knock	34	12
879150064	GASKET	78	-	879194Q01	BELT Serpentine	8	18
879194T46	SHIFT ACTUATOR	64	1	881567001	PLUG Oil Galley	36	33
881568	PLUG Engine Coolant	34	14	881569	PLUG (.250-18 x .54) Engine Coolant	34	14
881570	SCREW (M8 x 25 MM)	24	7	881570	SCREW (M8 x 25 MM)	34	25
881576	SCREW (M10 x 65)	36	40	881577001	SCREW (M6 x 30)	30	11
881578	BOLT	30	21	881579	NUT	30	26
881580	SCREW (M12 x 89)	30	24	881585	SCREW (M10 x 60)	30	33
881586	SCREW (M8 x 30)	24	28	881587	SCREW (M16 x 1.5)	30	16
881588	SCREW	34	23	881590	SCREW (M8 x 20) Oil Pump	34	5
881592001	PISTON ASSEMBLY Standard/Floating Design Starboard	34	27	881592002	PISTON ASSEMBLY Standard/Floating Design Starboard	34	27
881593	SCREW (M10 x 30)	48	3	881594	SCREW (M6 x 20)	30	14
881595	SCREW (M6 x 21) Crankshaft Position Sensor	34	9	881596001	PISTON ASSEMBLY .030/Floating Design Without Connecting Rod, Starboard	36	27
881596002	PISTON ASSEMBLY .030/Floating Design Starboard	34	27	881597001	PISTON ASSEMBLY .030/Floating Design Without Connecting Rod, Port	36	27
881597002	PISTON ASSEMBLY .030/Floating Design Port	36	27	881601	RING KIT Piston	36	31
881602	RING KIT Piston	36	31	881603001	GASKET Circulating Pump	36	37
881603001	GASKET Circulating Pump	78	-	881604	GASKET Front Cover	30	9
881604	GASKET Front Cover	78	-	881605	PIN Balancer Locating	30	6
881607	BEARING KIT Crankshaft Main Thrust	30	5	881608001	SEAL Rear Crankshaft	30	18
881608001	SEAL Rear Crankshaft	78	-	881609	PIN Flywheel Locating	30	19
881610	SPRING Oil Pump	30	29	881611	PIN Oil Pump	30	28
881612	GASKET Oil Pan	40	2	881612	GASKET Oil Pan	78	-
881613001	SEAL Front Crankshaft	30	10	881613001	SEAL Front Crankshaft	78	-
881614	WASHER	30	17	881615	STUD Crankshaft Bearing Cap	30	23
881620001	GASKET Cylinder Head to Crossover	48	2	881620001	GASKET Cylinder Head to Crossover	76	-
881620001	GASKET Cylinder Head to Crossover	78	-	881621	GASKET	26	26
881622	GASKET Cylinder Head Cover	26	24	881622	GASKET Cylinder Head Cover	78	-
881623	SCREW (M6 x 1)	26	27	881626	CHAIN Camshaft Timing	34	26
881627	CAMSHAFT	34	20	881628	CAMSHAFT	34	20
881631	GASKET Cylinder Head	78	-	881631001	GASKET Cylinder Head	26	4
881632	GASKET Cylinder Head	26	4	881635	STUD	26	16
881637	SEAL Valve Stem Oil	26	8	881637T	SEAL Valve Stem Oil	78	-
881640T01	FLYWHEEL	30	20	881642A01	BOLT KIT	26	21
881643	VALVE Pressure Relief	30	30	881645	BOLT (M6 x 20) Oil Fill Tube	24	14
881646	SCREW (M6 x 20)	24	10	881647	SCREW	26	33
881648	BOLT (M6 x 13)	26	29	881652	PUMP With Screen Oil	30	27
881653001	PAN Oil	40	1	881654001	CRANKSHAFT	30	3
881655	SPROCKET Crankshaft	30	7	881669	DRIVE Oil Pump Oil Pump	34	4
881672001	SPRING Valve	26	9	881674	VALVE Intake	26	5
881675	VALVE Intake	26	5	881676	VALVE Intake	26	5
881677	VALVE Intake	26	5	881679	VALVE Exhaust	26	6
881680	VALVE Exhaust	26	6	881681	VALVE Exhaust	26	6
881682	PUSH ROD	26	14	881683	PUSH ROD	26	14
881684001	CYLINDER HEAD	26	1	881685001	CYLINDER HEAD	26	1
881686	GUIDE Rocker Arm	26	15	881687	ARM	26	17
881689	SHIELD Oil Splash	24	5	881690001	MANIFOLD Intake	24	1
881691002	FUEL RAIL Fuel Injection	24	16	881693	INJECTOR 3 hole pintle	24	19
881693001	INJECTOR 2 hole pintle	24	19	881694001	SEAL KIT	24	20
881695	RETAINER KIT Fuel Injector	24	21	881697	HARNES ASSEMBLY Fuel Injection Wiring	24	23
881698	WIRE KIT (8 Leads) Spark Plug	28	34	881720	RETAINER 2 Spark Plug Wire	28	NS
881722	CLIP Wiring Harness	26	30	881723	CONNNECTOR Harness to Harness	26	31
881725	PLATE Block Off	24	26	881731	SENSOR Manifold Air Pressure	24	8
881733	SEAL M.A.P. Sensor	24	9	881734	HOSE Fuel Pressure Regulator	24	3
881784004	PARTS MANUAL 496 MAG Sterndrive	2	-	881879010	SENSOR	58	29
881879011	SENSOR Pressure (0 - 100 PSI) Oil Pressure	36	43	881879011	SENSOR Pressure (0 - 100 PSI) Pitot Pressure	70	9
881968	STUD Fuel Injection Rail	24	22	882751A04	RELAY ASSEMBLY	10	5
882751A04	RELAY ASSEMBLY	10	5	883066	CLIP (.865)	70	10
883166A2	RESERVOIR KIT	68	16	883167	SCREW (#8-32)	68	4



# PARTS INDEX

Part No.	Description	Pg.	Ref.no	Part No.	Description	Pg.	Ref.no
883231A1	GASKET SET Engine	2	-	883231A1	GASKET SET Engine	76	-
883236	DEFLECTOR Oil	30	25	8832391	BEARING Connecting Rod	36	32
883503	CAP Service Point	52	17	883515002	PISTON ASSEMBLY Standard/Floating Design Port	34	27
883917	SCREW Connecting Rod	36	29	883918	NUT Connecting Rod	36	30
883919	PLUG Coolant Drain	34	3	883920	VALVE ASSEMBLY Filter	36	47
883922	BAFFLE Oil Pan	40	NS	883923	SCREW (M6 x 20)	40	NS
883924	RETAINER Conduit	28	NS	883925	PUMP Circulating	36	36
884036	SCREW (M10 x 95)	36	40	884702	BEARING KIT	30	4
88517	FITTING Reducing	16	30	885342002	SENSOR ASSEMBLY Temperature	44	16
88543A3	CABLE ASSEMBLY	74	7	88552630	SCREW (M8 x 30)	54	25
88552660	SCREW (M8 x 60)	8	15	888416T04	HARNESS ASSEMBLY DTS, Clean Power, 15 Feet Clean Power	12	12
888740	WIRE Individual Spark Plug	28	34	888741	WIRE Individual Spark Plug	28	34
889514A01	SWITCH	64	17	88924A02	GASKET SET Overhaul	2	-
889924A02	GASKET SET Overhaul	78	-	889925	COIL Ignition	26	32
891713	VALVE Exhaust	26	6	891716	GASKET Heat Exchanger Cover	48	33
891717	COVER Heat Exchanger End	48	32	891736T	MOTOR ASSEMBLY Complete	68	2
891737	BRUSH KIT	68	NS	891769	BALANCER Crankshaft	30	15
891868	O-RING	68	6	891868	O-RING	68	8
891870	COVER Cylinder Head	26	25	891886	HARNESS ASSEMBLY Ignition Coil Wiring	26	28
892233	NUT (M6) Stainless Steel	10	19	892608	BOARD ASSEMBLY Circuit - Radio Frequency Interference Filter	68	3
892615001	SENSOR Camshaft Position	30	12	892616001	COVER Front	30	8
892617	SENSOR Crankshaft Position	34	7	892640001	SPROCKET Camshaft	34	24
892664	HOUSING Fuel Module	16	1	892665	FILTER Fuel	16	21
892670A01	CHECK VALVE KIT	16	5	892677	COVER Fuel Module Housing	16	2
892681	REGULATOR	16	10	892683	SEAL	16	3
892684	SCREW	16	4	892687A02	CARTRIDGE ASSEMBLY Fuel Filter	16	22
89496	FILTER	68	14	89498	O-RING Motor End	68	12
895013A02	HARNESS ASSEMBLY	16	18	895234	SCREW (M6 x 73)	24	15
895235	GASKET SET Intake Manifold and Valley	24	4	895235	GASKET SET Intake Manifold and Valley	78	-
897345T09	PCM Propulsion Control Module Base	10	17	897345T10	PCM Propulsion Control Module High Output	10	17
898101392	BOLT (M8 x 30)	40	15	89879	O-RING (.301 x .064)	58	25
89919	BOOT Insulator - Black	10	9	899719T04	BRACKET	10	1
8M0046753	REGULATOR KIT Fuel Pressure	24	18	8M0060271	CABLE ASSEMBLY	74	13
8M0108208	COUPLER ASSEMBLY Engine - Long Steel Hub	42	18	8M2000004	BRACKET Flush Mount	48	36
8M2000159	ELBOW	44	27	8M2000433	TURBULATOR PLATE ASSY With Gaskets	44	14
8M2000545	NUT (M10) Stainless Steel	54	23	8M2012296	SCREW (M6 x 40)	52	13
8M2012296	SCREW (M6 x 40)	54	13	90285	SCREW (.312-18 x .625)	66	24
94140	EXPANSION PLUG Camshaft Bearing Hole	34	19	94275	LINK Connector	66	12
94330	NUT (.250-20) Brass	66	14	95084A10	CABLE ASSEMBLY (5.00 Inches) Red	74	11
95084A9	CABLE ASSEMBLY (91.00 Inches) Red/Purple Strip	74	11	95353A1	VALVE KIT Thermal Relief	68	NS
96112	STUD (.250-28 x 2.00) Throttle Cable Anchor	64	11	96158T	SOLENOID 12 Volt	66	6
97477A3	STUD KIT	18	28	97896	BUSHING Flanged	18	18
97934	SCREW (.500-20 x 5.370) Special	42	12	98260	SCREW (.375-16 x .620)	66	30
98261	SCREW (.375-16 x .750)	48	35	98794	SCREW (.375-16 x 1.00)	44	24
98794	SCREW (.375-16 x 1.00)	46	12	98828	SPACER	62	4
98828	SPACER	64	4	98869A17	ELECTRODE ASSEMBLY With Quick Connectors	74	1
98880	SPRING	62	7	99299	SPACER (.520 x .870 x .630)	42	14
99322	SPACER	42	3	NSS	NOT SOLD SEPARATE INSULATOR SLEEVE	14	12
NSS	NOT SOLD SEPARATE Check Valve	16	6	NSS	NOT SOLD SEPARATE Plug	16	7
NSS	NOT SOLD SEPARATE Seal	16	8	NSS	NOT SOLD SEPARATE Seal	16	12
NSS	NOT SOLD SEPARATE Seal	16	13	NSS	NOT SOLD SEPARATE Isolator, Lift Pump	16	14
NSS	NOT SOLD SEPARATE Isolator	16	16	NSS	NOT SOLD SEPARATE Seal	16	17
NSS	NOT SOLD SEPARATE Retainer	16	19	NSS	NOT SOLD SEPARATE Screw	16	20
NSS	NOT SOLD SEPARATE Cap, Fuel Filter Cartridge	16	23	NSS	NOT SOLD SEPARATE Screw	16	24
NSS	NOT SOLD SEPARATE Seal	16	25	NSS	NOT SOLD SEPARATE Seal	16	27
NSS	NOT SOLD SEPARATE Cup, Fuel Filter Cartridge	16	28	NSS	NOT SOLD SEPARATE Spacer, Special	18	29
NSS	NOT SOLD SEPARATE SEAL-Oil Fill Cap	24	13	NSS	NOT SOLD SEPARATE Seat	26	2
NSS	NOT SOLD SEPARATE Guide, Valve	26	3	NSS	NOT SOLD SEPARATE SCREW(M10x86)	26	22
NSS	NOT SOLD SEPARATE SCREW (M10x103)	26	23	NSS	NOT SOLD SEPARATE Block, Engine	30	1

# PARTS INDEX

Part No.	Description	Pg.	Ref.no	Part No.	Description	Pg.	Ref.no
NSS	NOT SOLD SEPARATE Cap, Crankshaft Bearing	30	2	NSS	NOT SOLD SEPARATE Seal, Camshaft Position Sensor	30	13
NSS	NOT SOLD SEPARATE Block, Engine	34	1	NSS	NOT SOLD SEPARATE Seal, Crankshaft Position Sensor	34	8
NSS	NOT SOLD SEPARATE CONNECTING ROD	36	28				