

**Parts Manual**

**Cat.# 90-8M0050611**

**Revised 09-12-2020**

# TABLE OF CONTENTS

Cat.# 90-8M0050611

Service and Support Material .....	1
Maintenance Kits .....	5
Starter Motor .....	7
Alternator (2A041664 & below) .....	9
Alternator (2A041665 & up) .....	11
Electrical Components .....	13
Wiring Harness and Lifting Brackets .....	17
Cylinder Block And Camshaft .....	19
Cylinder Head .....	23
Crankshaft / Piston/ Connecting Rods .....	27
Water Pump And Front Cover .....	29
Cooling System Fresh Water Components (2A041664 & below) .....	31
Cooling System Fresh Water Components (2A041665 & up) .....	35
Cooling System Raw Water Components, Port .....	39
Cooling System Raw Water Components, Starboard .....	41
Cool Fuel System (2A041664 & below) .....	43
Cool Fuel System (2A041665 & up) .....	45
Fuel Module Components -Bravo .....	47
Throttle Body Digital Throttle-Shift .....	51
Throttle Body Mechanical Throttle-Shift .....	53
Throttle Lever Assembly Mechanical Throttle-Shift .....	55
Intake Manifold .....	57
Exhaust Manifold Elbow and Riser .....	61
Drain Fitting Assembly .....	65
Exhaust System Components .....	67
Oil Pan And Oil Pump .....	69
Flywheel Housing .....	71
Water Drain System .....	73
Seawater Pump .....	75
Remote Oil System (2A041664 & below) .....	77
Remote Oil System (2A041665 & up) .....	79
Shift Bracket Mechanical .....	81
Shift Bracket Digital Throttle and Shift .....	83
Trim Pump Assembly .....	85
Trim Pump and Motor Components .....	87
Steering Components .....	89
Jackshaft Main Kit (98634A20) .....	91
Tailstock Kit .....	95

# TABLE OF CONTENTS

Drive Lube Reservoir Assembly (2A041664 & below).....	97
Drive Lube Reservoir Assembly (2A041665 & up).....	99
Engine Mounts.....	101
Gasket Set Overhaul (2A041664 & below).....	103
Gasket Set Overhaul (2A041665 & up).....	105

Service and Support Material

## Service and Support Material

Ref #	Part Class	Part Number	Description	Comments	Qty	Note
-	0090	8M0050611	PARTS MANUAL 8.2L Mag / 8.2L Mag HO		1	
-	0090	8M0051184	OPERATION MANUAL 8.2L	[1A352945] & Below	1	
-	0090	8M0058194	OPERATION MANUAL 8.2L Mag	[1A352946] THRU [2A041664]	1	
-	0090	8M0063146	OPERATION MANUAL	[2A041665] THRU [2A051740]	1	
-	0090	8M0074352	OPERATION MANUAL 8.2L MAG/MAG HO NON ECT	[2A051741] THRU [2A184329]	1	
-	0090	8M0032228	OPERATION MANUAL 8.2L MAG/MAG HO NON ECT	[2A184330] THRU [2A446466]	1	
-	0090	8M0086935	OPERATION MANUAL 8.2L MAG/MAG HO NON ECT	[2A446467] & Up	1	
-	0090	8M0113924	OPERATIONS MANUAL		1	
-	0090	8M0128976	OPERATIONS MANUAL 8.2L MAG/MAG HO NON ECT		1	
-	0090	8M0063145	INSTALLATION MANUAL	[2A184329] & Below	1	
-	0090	8M0032375	INSTALLATION MANUAL 8.2 MCM Non-ECT	[2A184330] & Up	1	
-	0027	8M0045578	GASKET SET Overhaul Engine	[2A041664] & Below	1	
-	0027	8M0070509	GASKET SET Overhaul Engine	[2A041665] & Up	1	
-	0035	866340K01	FILTER Oil - Mercury Brand		1	[1]
-	0035	866340Q03	FILTER Oil - Quicksilver Brand		1	[1]
-	0092	858087K01	20W40 FULL SYN SD/IB OIL MPP, 1 Quart Full Synthetic		1	[2]
-	0092	858088K01	20W40 FULL SYN SD/IB OIL MPP, 1 Gallon Full Synthetic		1	[3]
-	0037	8M0045436	DECAL SET 8.2L Base Plenum	[2A041664] & Below	1	
-	0037	8M0054483	DECAL SET 8.2L EC Base Plenum	[2A041665] & Up	1	
-	0037	8M0045437	DECAL SET 8.2L High Output Plenum	[2A041664] & Below	1	
-	0037	8M0054484	DECAL SET 8.2L EC High Output Plenum	[2A041665] & Up	1	
-	0037	8M0045438	DECAL SET 8.2L Base (SeaCore) Plenum	[2A041664] & Below	1	
-	0037	8M0054485	DECAL SET 8.2L EC Base (SeaCore) Plenum	[2A041665] & Below	1	
-	0037	8M0045439	DECAL SET 8.2L High Output (SeaCore) Plenum	[2A041664] & Below	1	
-	0037	8M0054486	DECAL SET 8.2L EC High Output (SeaCore) Plenum	[2A041665] & Up	1	
-	0037	8M0045577	DECAL SET 8.2L Base Heat Exchanger		1	
-	0037	8M0045575	DECAL SET 8.2L High Output Heat Exchanger		1	
-	0037	8M2018570	LABEL Circuit Breaker		1	
-	0037	8M2017892	DECAL Power Steering Fluid		1	
-	0037	8M2017894	DECAL Flush Port		1	
-	0037	8M2017891	DECAL Engine Coolant		1	
-	0000	8M0045344	LONGBLOCK ASSEMBLY 8.2L		1	

Service and Support Material

## Service and Support Material

**PART NOTES:**

- [1] - Alternate part numbers:
  - 866340K01MPP
  - 866340Q02Service Part
  - 866340Q03QS
- [2] - Alternate part numbers:
  - 858087K01MPP
  - 858087Q01QS
- [3] - Alternate part numbers:
  - 858088K01MPP
  - 858088Q01QS

Maintenance Kits



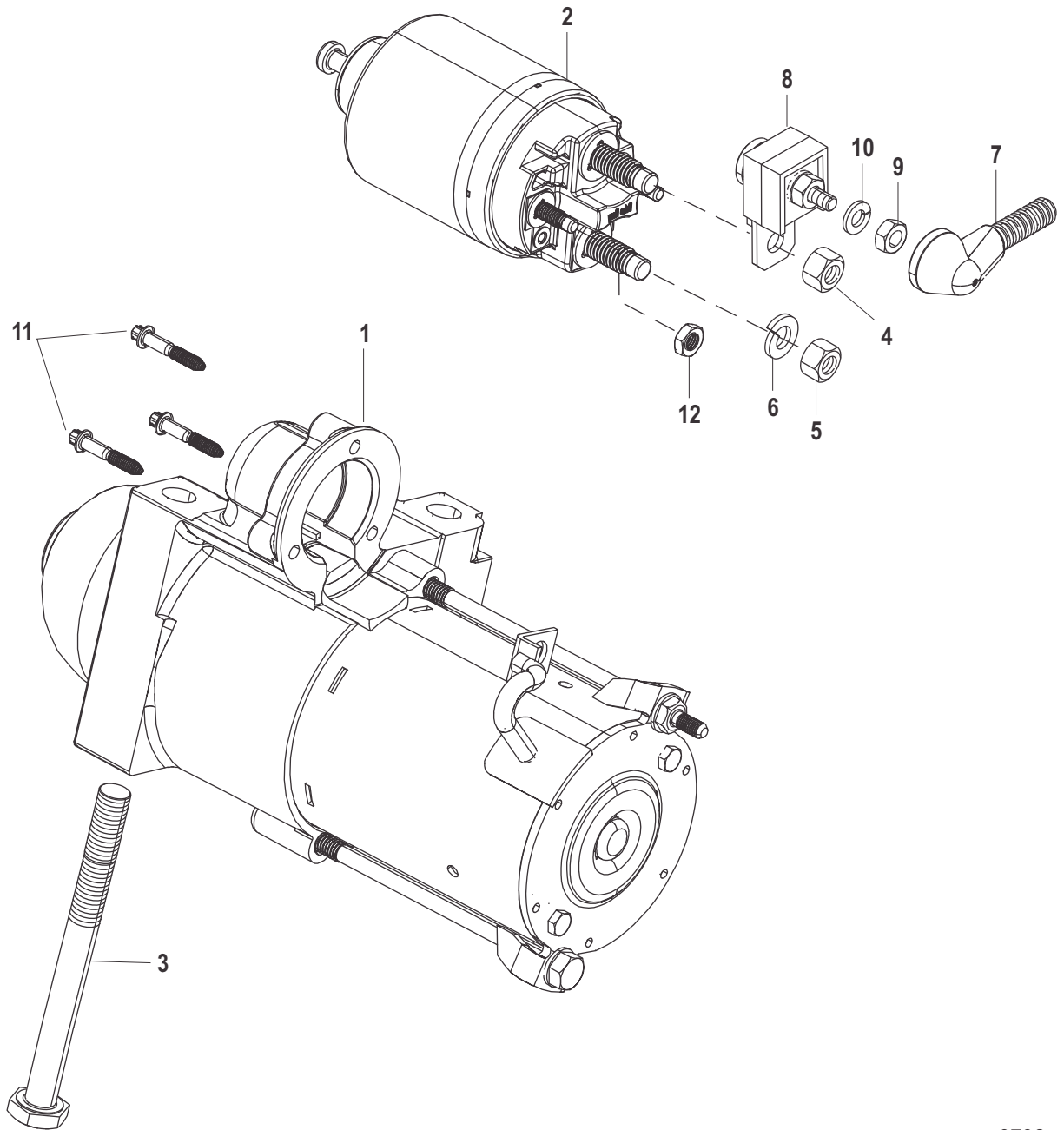
## Maintenance Kits

Ref #	Part Class	Part Number	Description	Comments	Qty	Note
-	0000	8M0147053	MAINTENANCE KIT 5.0L/5.7L/377 MAG/8.2L Bravo (100 Hours)		1	
-	0035	866340K01	FILTER Oil - Mercury Brand		1	[1]
-	0035	8M0093688	FILTER Fuel		1	
-	0026	830749	SEAL		2	
-	0000	8M0147071	MAINTENANCE KIT 8.2L MPI Bravo (300 Hours)		1	
-	0035	866340K01	FILTER Oil - Mercury Brand		1	[1]
-	0035	8M0093688	FILTER Fuel		1	
-	0026	830749	SEAL		2	
-	0033	810883	SPARK PLUG		8	
-	0000	8M0045990	THERMOSTAT		1	
-	0025	8071341	SEAL		1	
-	0057	8M0045227	BELT Serpentine Serpentine		1	
-	0000	8M0099429	VALVE ASSEMBLY Crankcase Vent		1	
-	0047	8M0137219	IMPELLER KIT Heavy Duty		1	

## PART NOTES:

- [1] - Alternate part numbers:  
866340K01MPP  
866340Q02Service Part  
866340Q03QS

# Starter Motor



9798

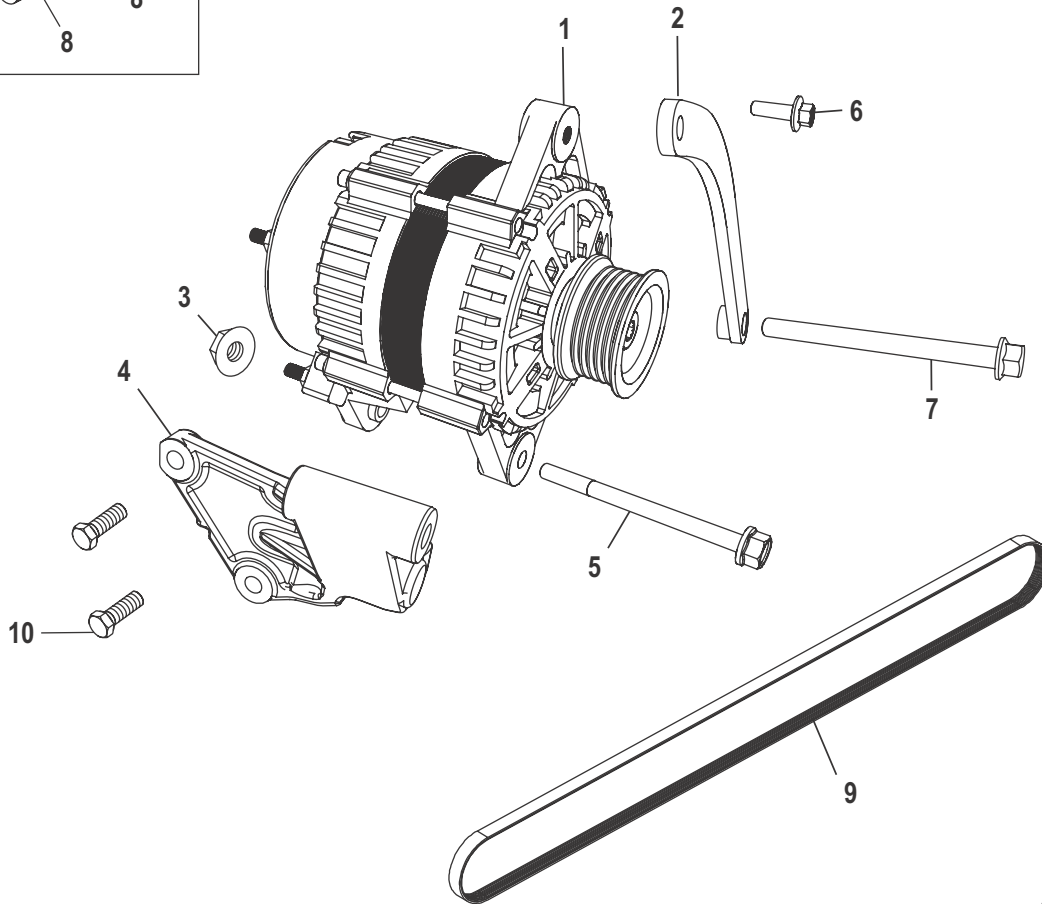
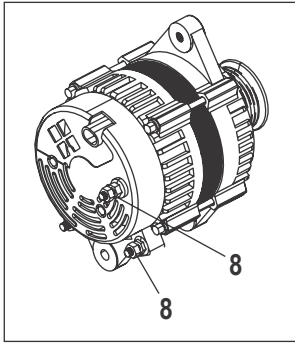
## Starter Motor

Ref #	Part Class	Part Number	Description	Comments	Qty	Note
1	0050	863007A1	STARTER MOTOR ASSEMBLY		1	[1]
2	0000	809463A1	SOLENOID KIT Starter		1	
3	0010	8053432	SCREW (.375-16 x 4.33)		2	
4	0011	806949	NUT (M8-1.5)		1	
5	0011	806949	NUT (M8-1.5)		1	
6	0013	26996	LOCKWASHER (#10) Stainless Steel		1	
7	0085	79695T	BOOT Insulator (Black)		1	
8	0088	79023T90	FUSE ASSEMBLY 90 Ampere		1	
9	0011	826709109	NUT (.250-28) Stainless Steel		1	
10	0013	400247	LOCKWASHER (M8)		1	
11		NSS	NOT SOLD SEPARATE Screw		3	
12	0011	400211	NUT (M5) Stainless Steel		2	

**PART NOTES:**

- [1] - Alternate part numbers:  
863007A 1QS  
863007R01Reman

# Alternator (2A041664 & below)



42792

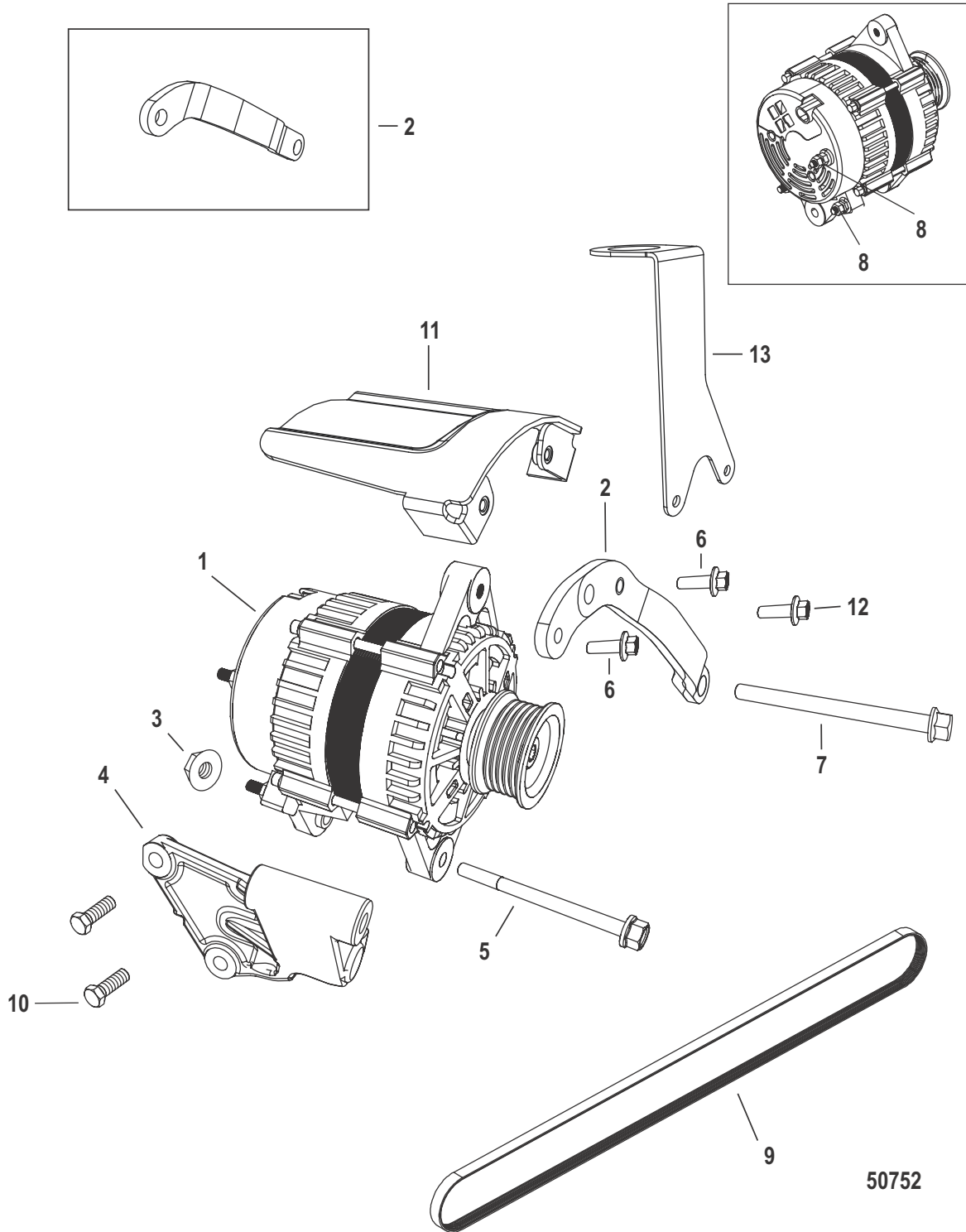
Alternator (2A041664 & below)

Ref #	Part Class	Part Number	Description	Comments	Qty	Note
1	0000	863077T	ALTERNATOR ASSEMBLY Black		1	[1]
2	0000	8M2017248	BRACKET Alternator		1	
3	0011	826365	NUT (M8)		1	
4	0000	8M0045251	BRACKET Alternator		1	
5	0010	824459110	SCREW (M8 x 110) Stainless Steel		1	
6	0010	4010725	SCREW (M8 x 25)		1	
7	0010	8M2017380	SCREW (.4375-14 x 5.5)		1	
8	0011	400212	NUT (M6) Stainless Steel		2	
9	0057	8M0045227	BELT Serpentine	MCM	1	
9	0057	8M0045986	BELT Serpentine	MIE	1	
10	0010	865982005	SCREW (.375-16 x 1.00) Alternator Bracket		2	

**PART NOTES:**

- [1] - Alternate part numbers:  
 863077R01Reman  
 863077TQS

Alternator (2A041665 & up)



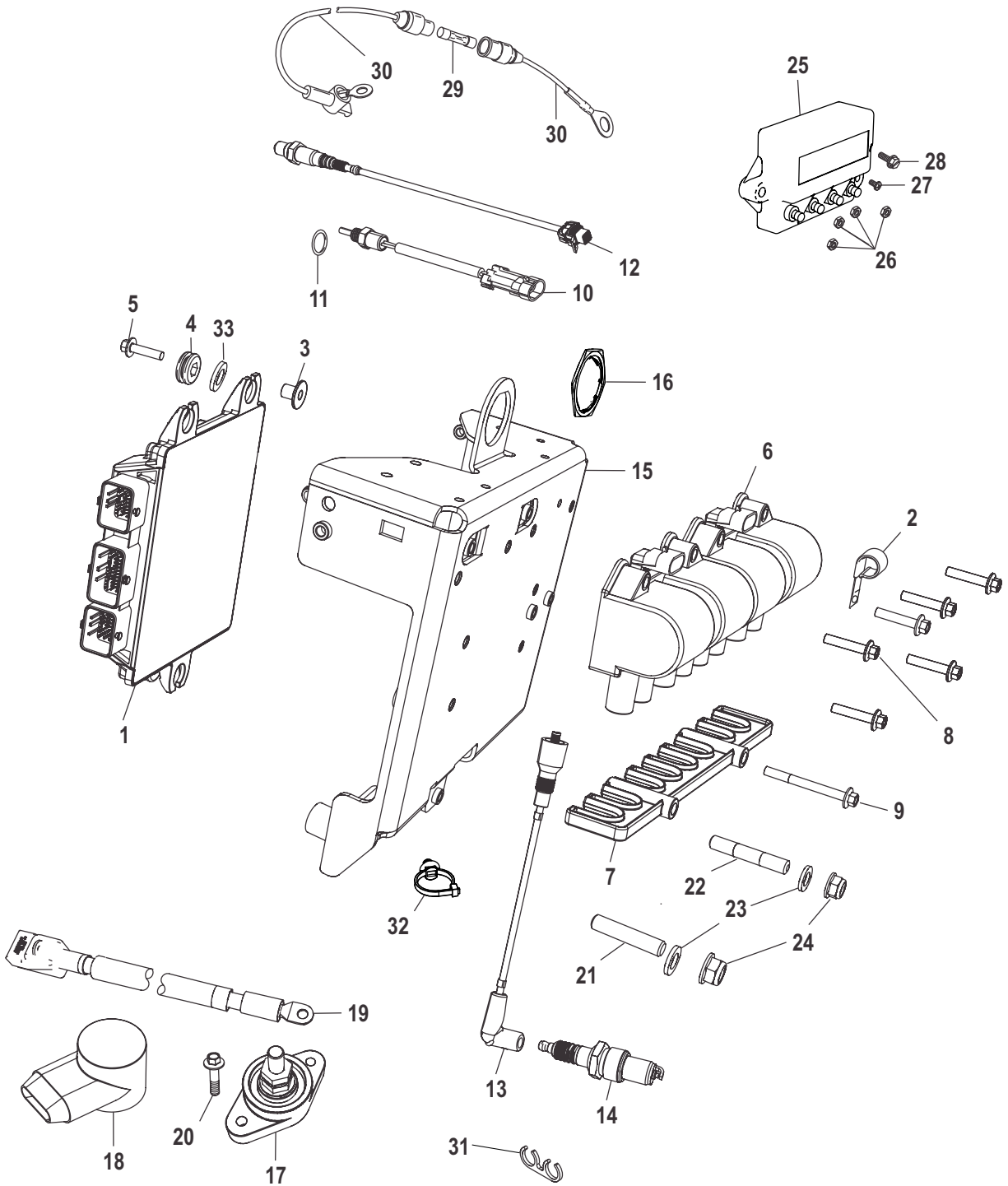
**Alternator (2A041665 & up)**

Ref #	Part Class	Part Number	Description	Comments	Qty	Note
1	0000	863077T	ALTERNATOR ASSEMBLY Black		1	[1]
2	0000	8M0069717	BRACKET Alternator	MCM/MIE	1	
2	0000	8M2017248	BRACKET Alternator	V-Drive	1	
3	0011	401368	NUT (M8) Stainless Steel		1	
4	0000	8M0045251	BRACKET Alternator		1	
5	0010	824459110	SCREW (M8 x 110) Stainless Steel		1	
6	0010	4010618	SCREW (M6 x 18) Stainless Steel		2	
7	0010	8M2017380	SCREW (.4375-14 x 5.5)		1	
8	0011	400212	NUT (M6) Stainless Steel		2	
9	0057	8M0045227	BELT Serpentine	MCM	1	
9	0057	8M0045986	BELT Serpentine	MIE	1	
10	0010	865982005	SCREW (.375-16 x 1.00) Alternator Bracket		2	
11	0000	8M0070927	SHIELD Alternator		1	
12	0010	4010725	SCREW (M8 x 25)		1	
13	0000	8M2021567	BRACKET Flush mount	MCM	1	

**PART NOTES:**

- [1] - Alternate part numbers:  
 863077R01Reman  
 863077TQS

# Electrical Components



42801

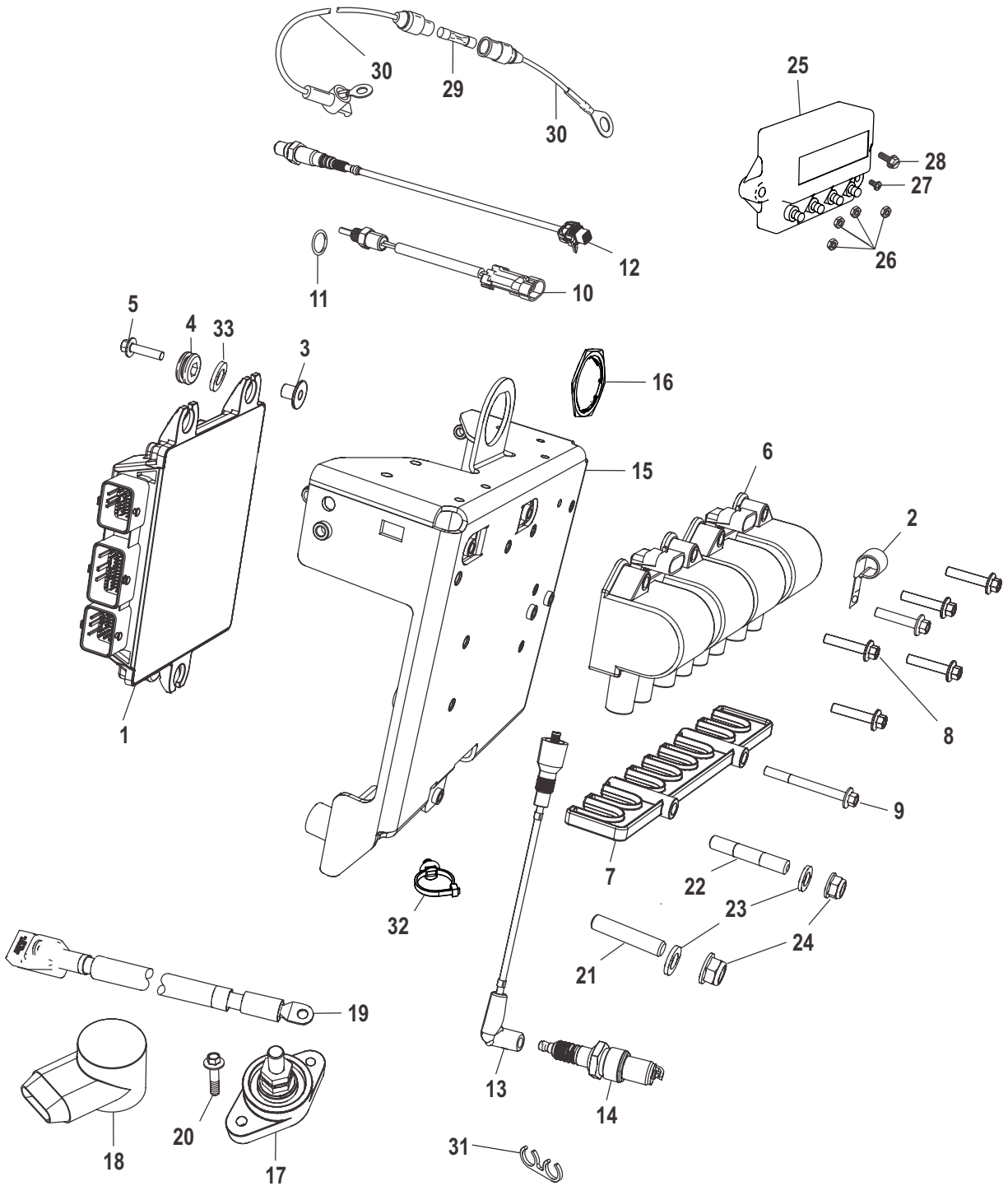


## Electrical Components

Ref #	Part Class	Part Number	Description	Comments	Qty	Note
1	0000	8M0050588	ECM Engine Control Module	Base, Manual [2A184329] & Below	1	
1	0000	8M0085643	ECM Engine Control Module	Base, Manual [2A184330] THRU [2A446466]	1	
1	0078	8M0100056	PCM Propulsion Control Module	Base, Manual [2A446467] & Up	1	
1	0000	8M0050589	ECM Engine Control Module	Base, Digital Throttle & Shift [2A184329] & Below	1	
1	0000	8M0085644	ECM Engine Control Module	Base, Digital Throttle & Shift [2A184330] THRU [2A446466]	1	
1	0078	8M0100070	PCM Propulsion Control Module	Base, Digital Throttle & Shift [2A446467] & Up	1	
1	0000	8M0050590	ECM Engine Control Module	High Output, Digital Throttle & Shift [2A446466] & Below	1	
1	0078	8M0100071	PCM Propulsion Control Module	High Output, Digital Throttle & Shift [2A446467] & Up	1	
2	0054	858951	J CLIP		1	
3	0023	856954	BUSHING		3	
4	0025	834985	GROMMET		3	
5	0010	82130025	SCREW (M6 x 25)		3	
6	0000	841203T	COIL Ignition		2	
7	0000	844367	RETAINER Ignition Cable Support		1	
8	0010	4010630	SCREW (M6 x 30) Stainless Steel		6	
9	0010	88552560	SCREW (M6 x60)		2	
10	0000	885342002	SENSOR ASSEMBLY Water Temperature		2	
10	0000	885342002	SENSOR ASSEMBLY 885342002	Exhaust	1	
11	0025	896699	O-RING (1.78 mm x .08 mm)		1	[1]
12	0000	8M2003959	SENSOR Oxygen		4	
13	0084	899329A09	CABLE SET High Tension-Set of Eight		1	
14	0033	810883	SPARK PLUG		8	
15	0000	8M0045733	BRACKET Electrical		1	
16	0011	889664	NUT (1.500-18) Black Nylon		1	
17	0000	8M2017792	STUD Hot (3/8-16)		1	
18	0085	8M2019142	INSULATOR Hot Stud		1	
19	0084	8M0045793	HARNESS Hot Stud		1	
20	0010	82130025	SCREW (M6 x 25)		2	
21	0016	56295	STUD (.437 x 2.69) Electrical Bracket to Cylinder Head		1	
22	0016	8M0034453	STUD (7/16 x 2.19) Electrical Bracket to Cylinder Head		1	
23	0012	45176	WASHER (.453 x .812 x .105) Stainless Steel		2	
24	0011	859135	NUT (.437-20) Brass/Nickel Plated		2	
25	0000	42600A09	MERCATHODE ASSEMBLY		1	
26	0011	68219	NUT (#10-32) Stainless Steel		4	
27	0010	62568	SCREW (#10-16 x .375)		1	

## Electrical Components

# Electrical Components



42801

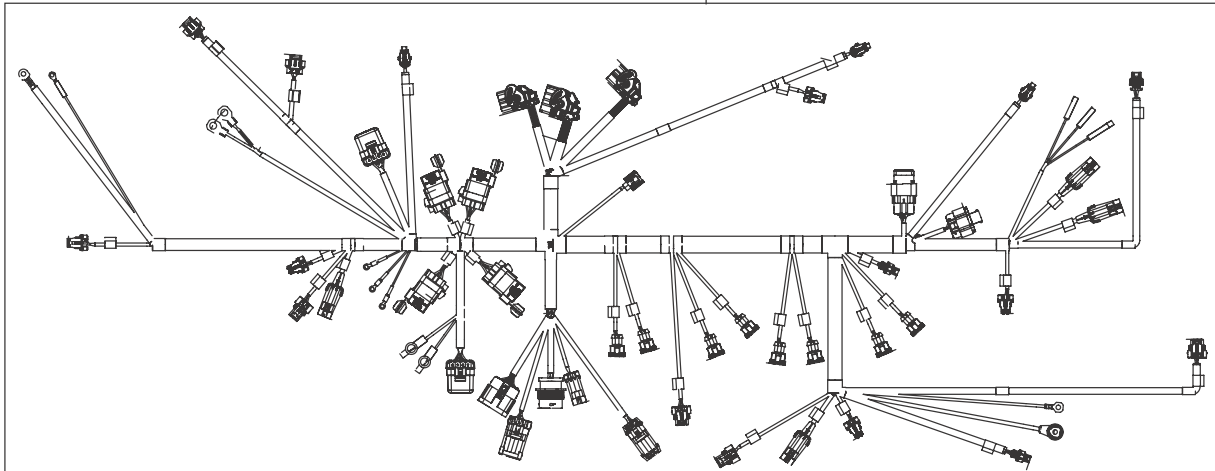
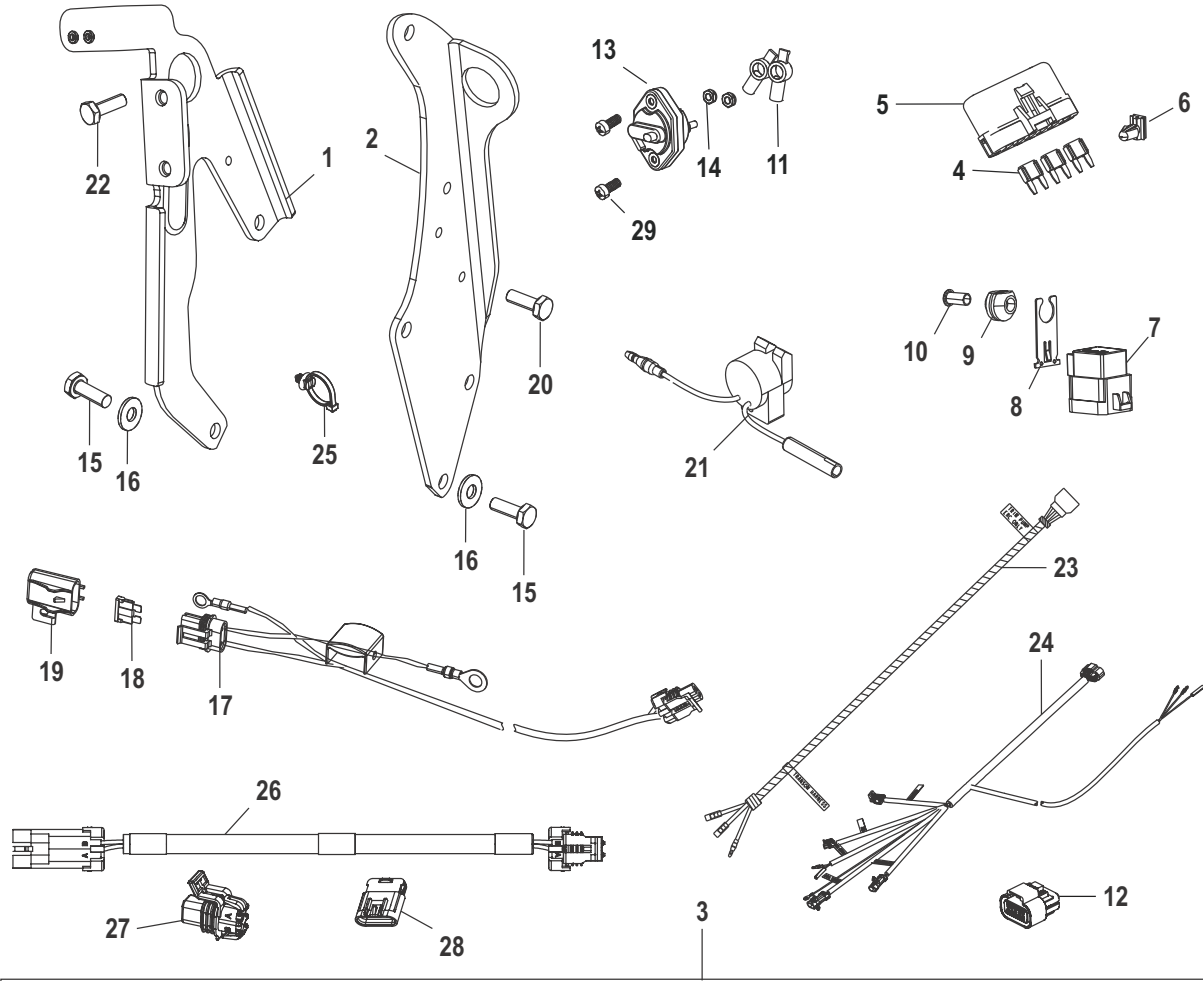
## Electrical Components

Ref #	Part Class	Part Number	Description	Comments	Qty	Note
28	0010	4010516	SCREW (M5 x 16) Stainless Steel		1	
29	0088	79091	FUSE 20 Ampere		1	
30	0084	95084A9	CABLE ASSEMBLY (91.00 Inches) Red/Purple Strip		1	
30	0084	95084A10	CABLE ASSEMBLY (5.00 Inches) Red		1	
31	0000	54676	RETAINER Two Wire		4	
32	0054	899145	CLIP Tie Strap		4	
33	0012	65567	WASHER (.265 x .750 x .048) Stainless Steel		3	

**PART NOTES:**

- [1] - Component of Engine Gasket Set 8M0045578  
Component of Engine Gasket Set 8M0070509

# Wiring Harness and Lifting Brackets



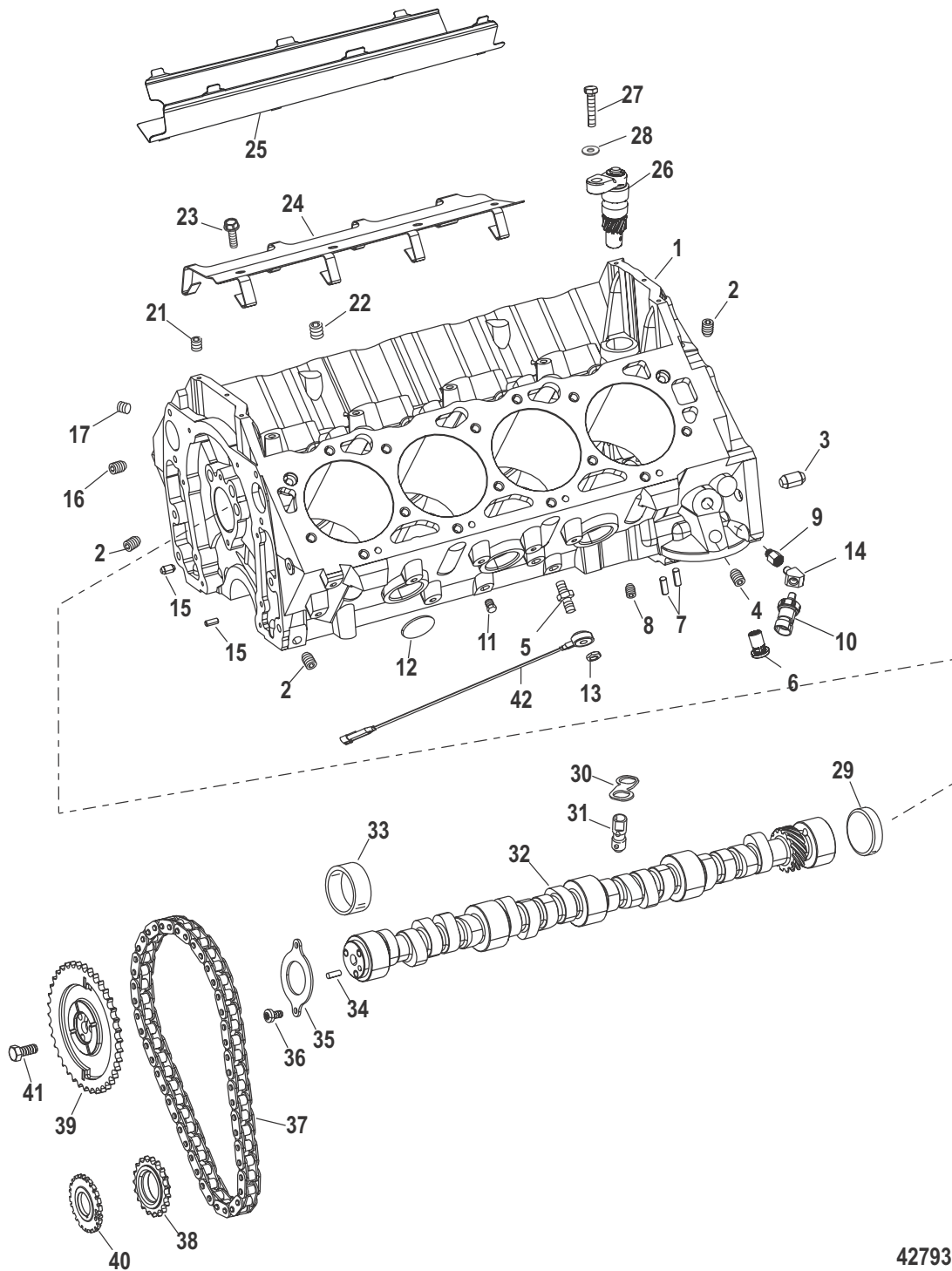
45145

## Wiring Harness and Lifting Brackets

Ref #	Part Class	Part Number	Description	Comments	Qty	Note
1	0000	8M0050591	BRACKET Lifting Front		1	
2	0000	8M0050537	BRACKET Lifting Rear		1	
3	0084	8M0045252	HARNESS ASSEMBLY	Mechanical	1	
3	0084	8M0045253	HARNESS ASSEMBLY	Digital Throttle & Shift	1	
4	0088	832969T15	FUSE Mini - Blue - 15 Ampere	Mechanical Throttle & Shift	2	
4	0088	83296920	FUSE Mini - Yellow - 20 Ampere	Mechanical Throttle & Shift	3	
4	0088	83296910	FUSE Mini - Red - 10 Ampere	Mechanical and Digital Throttle & Shift	5	
4	0088	83296920	FUSE Mini - Yellow - 20 Ampere	Digital Throttle & Shift	5	
5	0000	858754	COVER Fuse		2	
6	0054	879962	CLIP		2	
7	0000	882751A1	RELAY ASSEMBLY	Mechanical Throttle & Shift	4	
7	0000	882751A1	RELAY ASSEMBLY	Digital Throttle & Shift	5	
8	0000	828102	BRACKET		4/5	
9	0025	818967	GROMMET		4/5	
10	0023	818968	BUSHING		4/5	
11	0085	89919	BOOT Insulator - Black		2	
12	0000	859318T1	TERMINATOR 10 Pin (CAN 1 and 2)	Mechanical Throttle & Shift	1	
12	0000	8M0055652	TERMINATOR ASSEMBLY 10 Pin (CAN P and H)	Digital Throttle & Shift	1	
13	0088	865827T	BREAKER Circuit - 50 Ampere Flag Reset	[2A051740] & Below	1	
13	0088	11178A01	BREAKER Circuit - 50 Ampere Button Reset	[2A051741 ] & Up	1	
14	0011	826709106	NUT (#10-32) Stainless Steel	[2A051740] & Below	2	
14	0011	68219	NUT (#10-32) Stainless Steel	[2A051741 ] & Up	2	
15	0010	47461	SCREW (.437-14 x 1.00)		5	
16	0012	22248	WASHER (.453 x .875 x .060)		5	
17	0084	888416T04	HARNESS ASSEMBLY DTS, Clean Power, 15 Feet		1	
18	0000	862646	FUSE Tan - 5 Ampere		1	
19	0000	828054	COVER Fuse		1	
20	0010	4010720	SCREW (M8 x 20) Rear Lifting Eye to Shift Bracket		2	
21	0000	816492A15	ALARM KIT		1	
22	0010	4010820	SCREW (M10 x 20) Hex Flange - Stainless Steel Front Lifting Eye to Remote Oil		2	
23	0084	865774T01	HARNESS ASSEMBLY Trim Pump		1	
24	0084	865677T01	HARNESS ASSEMBLY Transom Harness		1	
25	0054	899145	CLIP Tie Strap		1	
26	0084	8M0050593	HARNESS Adaptor Exhaust Temperature		1	
27	0000	8M2020214	CAP ASSEMBLY Weather		1	
28	0000	8M2020357	CAP ASSEMBLY Weather		1	
29	0010	830861	SCREW (#8-32 x .625)	[2A051740] & Below	2	
29	0010	45862	SCREW (#10-32 x .875)	[2A051741 ] & Up	2	

Wiring Harness and Lifting Brackets

# Cylinder Block And Camshaft



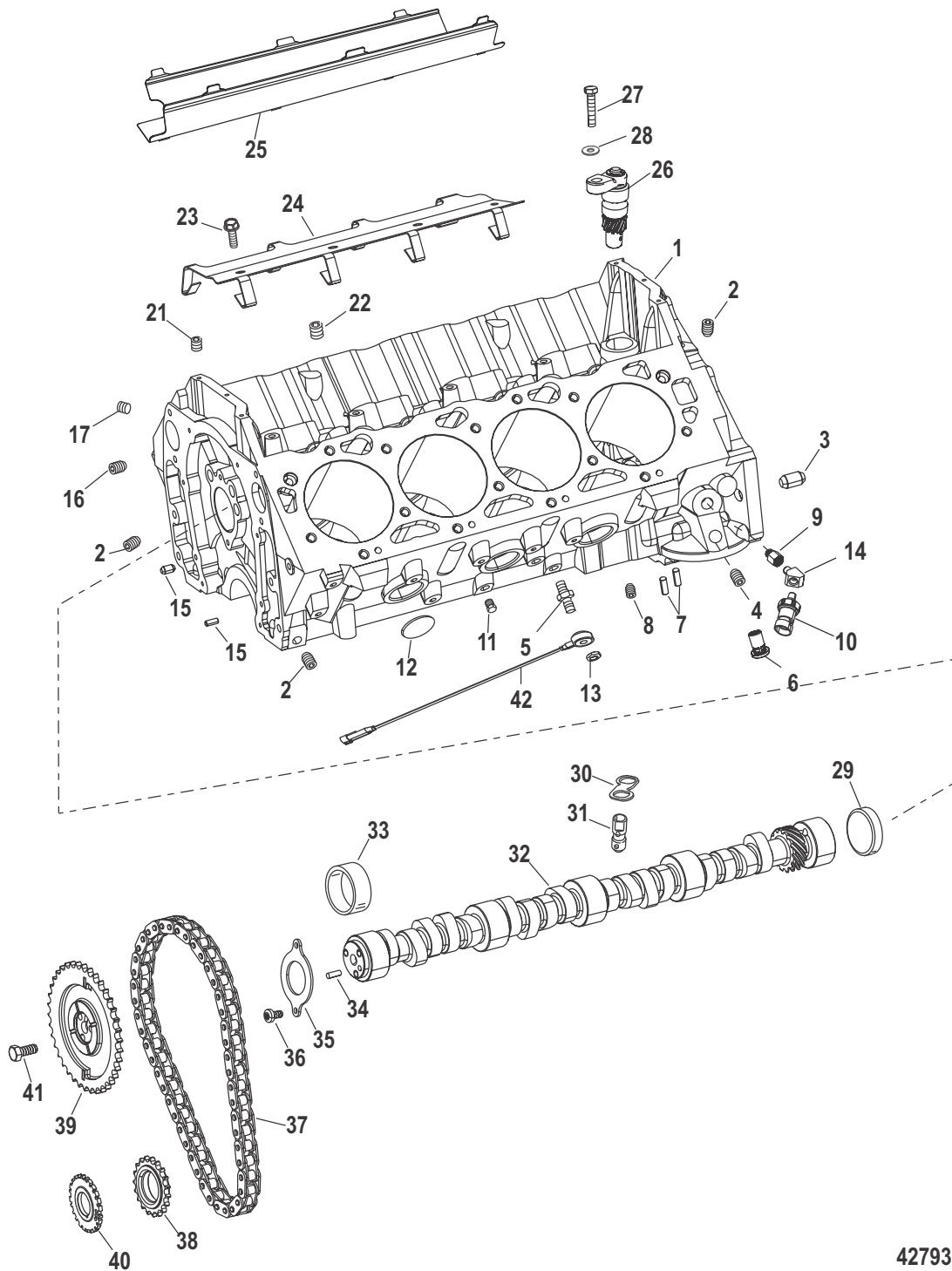
42793

## Cylinder Block And Camshaft

Ref #	Part Class	Part Number	Description	Comments	Qty	Note
-	0000	8M0045344	Longblock Assembly	2A041665 and below	1	
-	0000	8M0074038	Longblock Assembly	2A041665 and up	1	
1		NSS	NOT SOLD SEPARATE BLOCK	(Order Longblock Assembly)	1	
2	0022	32561	PLUG Pipe - Allen Head (.250-18)		6	
3	0017	843379	PIN Dowel (.6206/.6211 x 1.20) Flywheel Housing		2	[1]
4	0022	328022	PLUG Pipe (.125-27) Brass		1	
5	0016	862915	STUD (.250-18/M10 Special)		2	
6	0000	8M0044048	VALVE ASSEMBLY Pressure Relief		1	
7	0017	843378	PIN Dowel (.250) Bottom Of Block		2	[1]
8	0022	36373	PLUG (.375-18) Hex - Steel	- NOTE: Bottom Of Block Oil Plug	1	[1]
8	0022	36373	PLUG (.375-18) Hex - Steel	- NOTE: Rear Of Block Oil Plugs	2	[1]
9	0022	64013	FITTING (.375 Male To .125 Female)		1	
10	0000	881879T11	SENSOR Pressure (0 - 100 PSI)		1	
11	0022	36382	FITTING (.250-18 x .62) Brass Lower Side Of Block		2	[1]
12	0019	34270	EXPANSION PLUG (1.625)		6	[1]
13	0011	826292	NUT (M10) Brass/Nickel Plated	MCM	2	
14	0022	29085	FITTING Elbow (45 Degree)		1	
15	0017	843378	PIN Dowel (.250) Timing Cover		2	[1]
16	0022	8M0044324	PLUG (1/4 Inch) Pipe		2	[1]
17	0022	36373	PLUG (.375-18) Hex - Steel		1	[1]
21	0022	390721	PLUG Pipe (.125-27) Brass		1	[1]
22	0022	479452	PLUG Oil Gallery		3	[1]
23	0010	8M0044047	SCREW (.312-18 x .62) Lifter Guide Retainer to Block		4	[1]
24	0000	8M0050807	RETAINER Lifter Guide		1	[1]
25	0000	845756T	SHEILD Oil Intake		1	[1]
26	0000	8M0045287	DRIVE Oil Pump		1	[1]
27	0010	8M0043925	SCREW (.312-18 x 1.0) Oil Pump Driver to Block		1	[1]
28	0012	56720	WASHER (.330 x .750 x .060) Stainless Steel		1	[1]
29	0019	94140	EXPANSION PLUG		1	[1]
30	0000	845754	GUIDE Lifter		8	[1]
31	0000	849947T01	LIFTER		16	[1]
32	0400	8M0046343	CAMSHAFT	2A041664 and below	1	
32	0400	8M0070225	CAMSHAFT	2A041665 and up	1	[1]
33	0023	85684	BEARING SET		1	[1]
34	0017	8M0043109	PIN Dowel		1	[1]
35	0000	845941	RETAINER Gear Thrust		1	[2]
36	0010	845943	SCREW (.250-20 x .500)		2	[1]
37	0000	8M0045987	CHAIN Timing		1	[1]
38	0043	843004	SPROCKET Crankshaft		1	[1]
39	0043	899852T	SPROCKET Camshaft		1	[1]

Cylinder Block And Camshaft

# Cylinder Block And Camshaft



42793



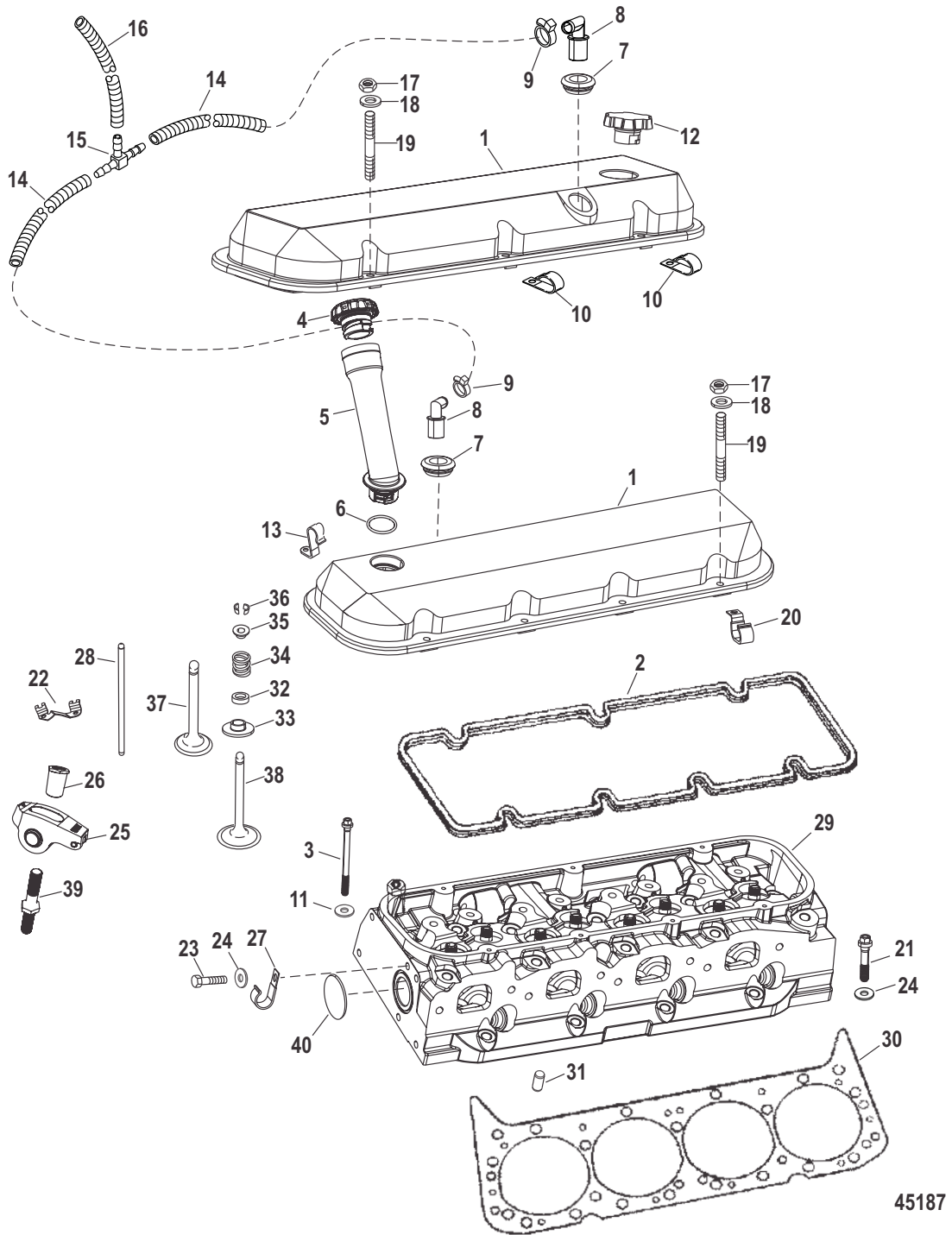
**Cylinder Block And Camshaft**

Ref #	Part Class	Part Number	Description	Comments	Qty	Note
40	0000	8M0050760	WHEEL Sensor Target		1	[1]
41	0010	8M0043993	SCREW (.312-18 x.75) Camshaft Spocket to Camshaft		3	
42	0000	878187	SENSOR ASSEMBLY Knock		2	

**PART NOTES:**

- [1] - Component of Longblock Assembly 8M0045344
- [2] - Component of Engine Gasket Set 8M0045578  
Component of Engine Gasket Set 8M0070509  
Component of Longblock Assembly 8M0045344

# Cylinder Head



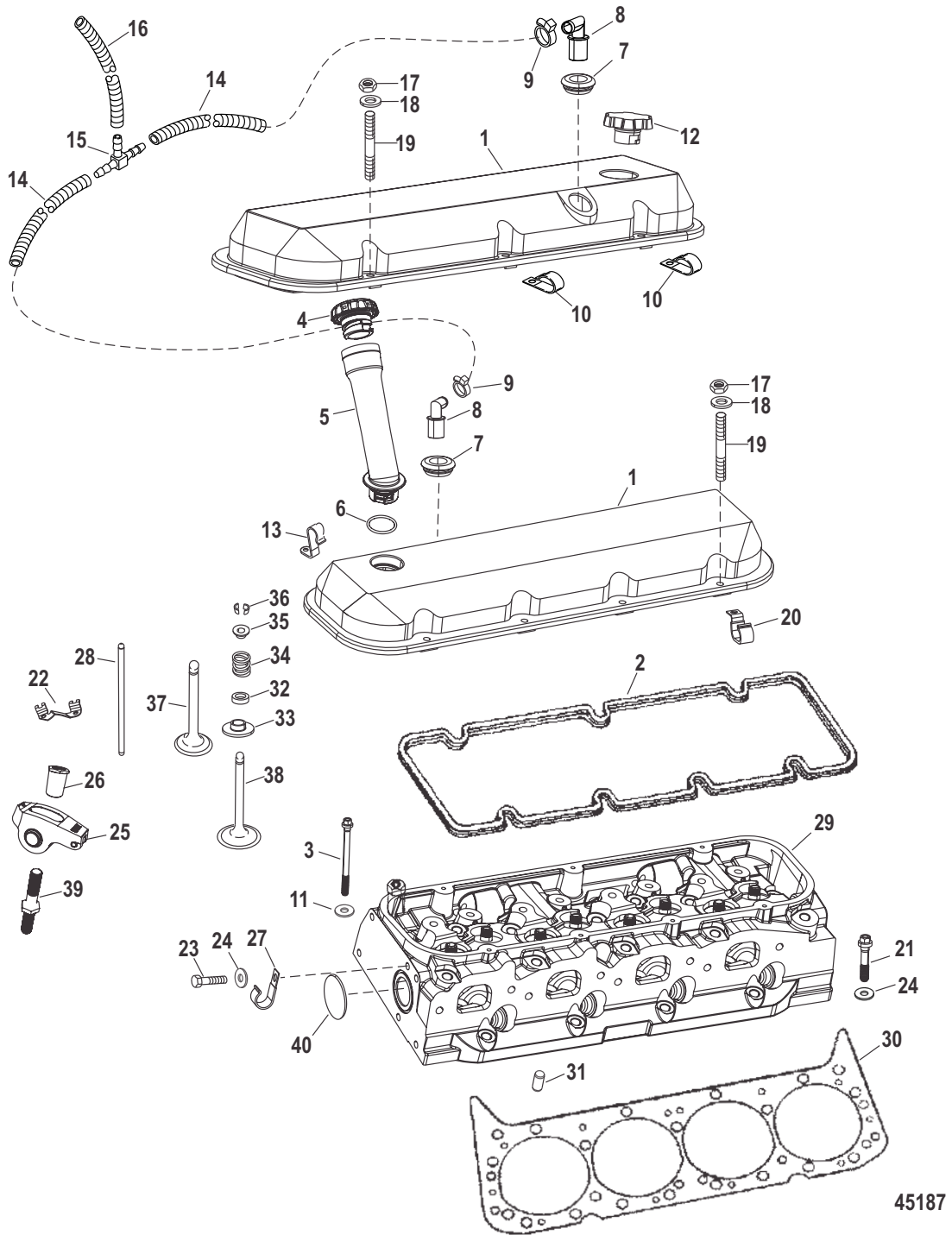
45187

## Cylinder Head

Ref #	Part Class	Part Number	Description	Comments	Qty	Note
1	0000	8M0045254	COVER ASSEMBLY Rocker		2	
2	0027	811588	GASKET Rocker Cover		2	[1]
3	0010	8M0000467	SCREW (.438-14 x 5.060) Black Oxide		10	[2]
3	0010	8M0000482	SCREW (.438-14 x 4.060) Black Oxide		14	[2]
4	0000	8M0045794	CAP Oil Fill		1	
5	0000	8M0045749	TUBE Oil Fill		1	
6	0025	8M0044601	O-RING		1	
7	0025	811553	GROMMET		2	[3]
8	0000	97850	ELBOW 90 Degree Breather		2	
9	0054	816311T	TIE STRAP (8.00 Inches)		2	
10	0054	858951	J CLIP		2	[2]
11	0012	841990	WASHER Special - Black		32	[2]
12	0000	845753T1	CAP Oil Fill		2	[2]
13	0054	42553	J CLIP		1	[2]
14	0032	1589431	TUBING (20.00 Inches Bulk) Cut 2 Pieces - 8.5 Inches		AR	
15	0022	849999	FITTING Tee		1	
16	0032	1589431	TUBING (20.00 Inches Bulk) Cut As Required		AR	
17	0011	8267089	NUT (.250-28)		14	[2]
18	0012	846673	WASHER (.265 x .500 x .060) Stainless Steel		14	[2]
19	0016	56766	STUD (.250-20/.250-28 x 1.380)		14	[2]
20	0054	642351	J CLIP		1	
21	0010	8M0000463	SCREW (.438-14 x 2.060) Black Oxide		8	[2]
22	0000	840942	GUIDE Pushrod		8	[2]
23	0010	99204	SCREW (.437-14 x 1.00) Stainless Steel		1	
24	0012	45176	WASHER (.453 x .812 x .105) Stainless Steel		1	
25	0000	8M0045762	ROCKER ARM ASSEMBLY		16	[2]
26	0011	8M0043537	NUT Rocker		16	[2]
27	0054	843142	J CLIP		1	
28	0000	848262	PUSH ROD (7.550)	Intake	8	[2]
28	0000	848264	PUSH ROD (8.550)	Exhaust	8	[2]
29	0900	8M0046344	CYLINDER HEAD ASSEMBLY		2	[2]
30	0027	811546A04	GASKET KIT Cylinder Head	Standard Pistons	2	[3]
30	0027	8M0099001	GASKET Cylinder Head	.030 and .060 Oversize Pistons	2	
31	0017	843931	PIN Dowel Cylinder Head Gasket Locator	Not Included in 8M0099001	4	[3]
32	0026	842755	SEAL Valve Intake And Exhaust		16	[3]
33	0000	840678	SEAT Spring		16	[2]
34	0024	8M0042978	SPRING Valve		8	[2]
35	0000	8M0043175	RETAINER Valve Spring		8	[2]
36	0000	8M0042576	KEY Valve Stem		32	[2]

Cylinder Head

# Cylinder Head



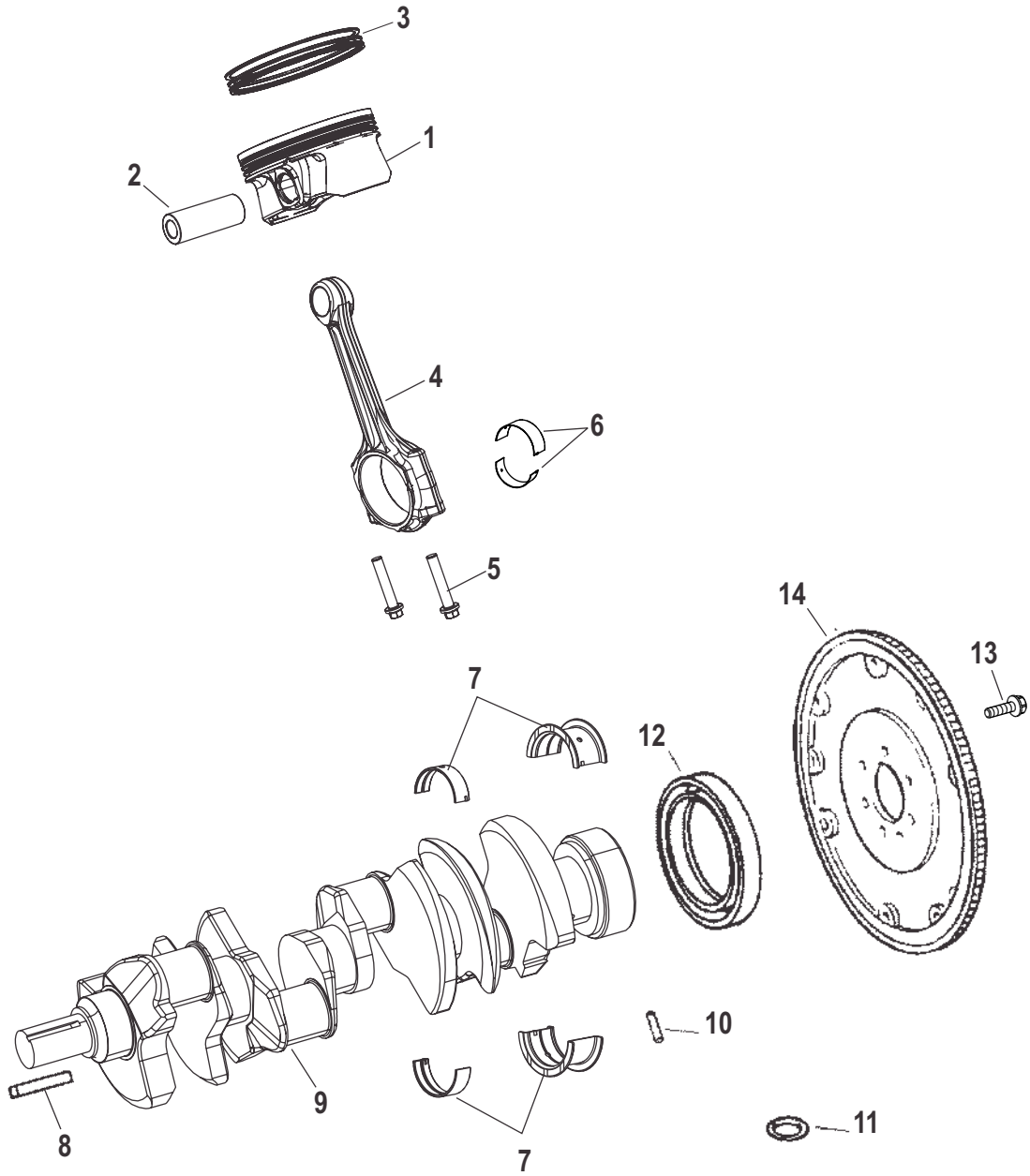
**Cylinder Head**

Ref #	Part Class	Part Number	Description	Comments	Qty	Note
37	0000	8M0046324	VALVE Intake		8	[2]
38	0000	8M0046325	VALVE Exhaust		8	[2]
39	0016	95820	STUD Rocker Arm Valve	Intake	8	[2]
39	0016	843129	STUD Rocker Arm Valve	Exhaust	8	[2]
40	0019	47463	EXPANSION PLUG		2	[2]

**PART NOTES:**

- [1] - Component of Engine Gasket Set 8M0045578  
Component of Engine Gasket Set 8M0070509
- [2] - Component of Longblock Assembly 8M0045344
- [3] - Component of Engine Gasket Set 8M0045578  
Component of Engine Gasket Set 8M0070509  
Component of Longblock Assembly 8M0045344

# Crankshaft / Piston/ Connecting Rods



42795

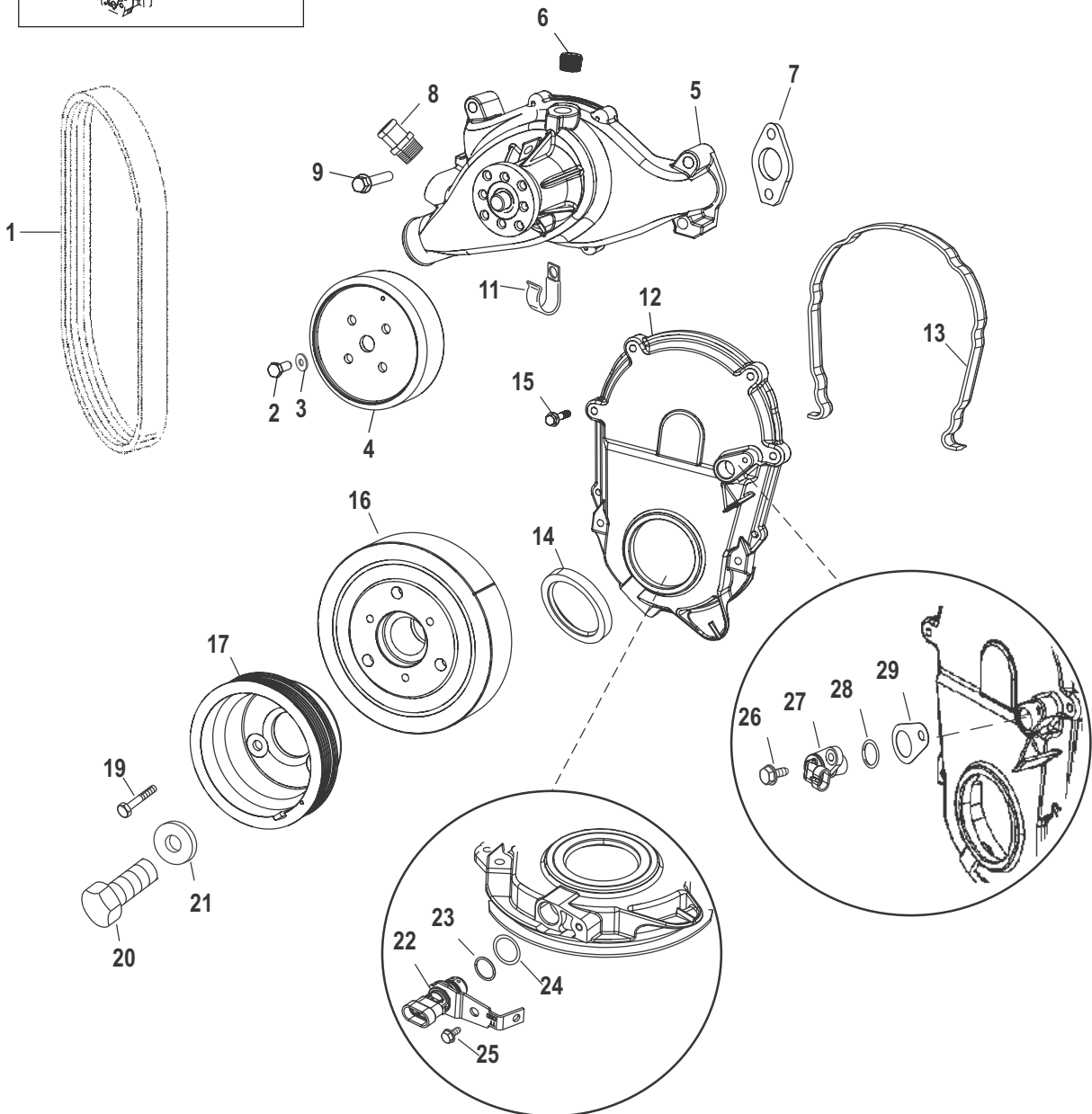
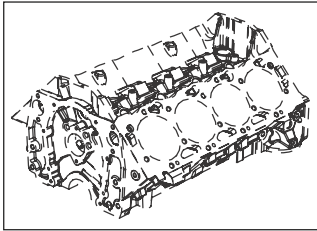
## Crankshaft / Piston/ Connecting Rods

Ref #	Part Class	Part Number	Description	Comments	Qty	Note
1	0700	8M0046521	PISTON ASSEMBLY Standard		8	
1	0700	8M0046222	PISTON ASSEMBLY (.030 Oversize)		8	
1	0700	8M0046223	PISTON ASSEMBLY (.060 Oversize)		8	
2		NSS	NOT SOLD SEPARATE PISTON PIN		8	[1]
3	0039	8M0046522	RING SET Piston, Standard		8	
3	0039	8M0046228	RING SET Piston, .030 Oversize		8	
3	0039	8M0046229	RING SET Piston, .060 Oversize		8	
4	0600	8M0045255	CONNECTING ROD ASSEMBLY		8	[1]
5	0010	8M0041978	BOLT		16	[1]
6	0023	8M0030217	BEARING SET Connecting Rod - Standard		8	[1]
6	0023	8M0030218	BEARING SET Connecting Rod - .001 Oversize		AR	
6	0023	8M0030216	BEARING SET Connecting Rod - .001 Undersize		AR	
6	0023	8M0030982	BEARING SET Connecting Rod - .010 Undersize		AR	
7	0023	8M0051198	BEARING SET Main - Standard		1	[1]
7	0023	842401	BEARING SET Main - .001 Oversize		AR	
7	0023	842402	BEARING SET Main - .001 Undersize		AR	
7	0023	842403	BEARING SET Main - .010 Undersize		AR	
8	0028	845607	KEY Crankshaft		1	[1]
9	0400	8M0045288	CRANKSHAFT ASSEMBLY	2A041664 and below	1	
9	0400	8M0070214	CRANKSHAFT ASSEMBLY	2A041665 and up	1	[1]
10		NSS	NOT SOLD SEPARATE PIN, Dowel		1	[1]
11	0025	69756	O-RING (.549 x .103) Number 5 Bearing Cap Oil Hole		1	[2]
12	0026	811554	SEAL Oil		1	[2]
13	0010	845757	SCREW (.437-20 x 1.00)		6	[1]
14	0230	843374T1	FLYWHEEL	MCM	1	[1]
14	0230	811560	FLYWHEEL	MIE	1	[1]

## PART NOTES:

- [1] - Component of Longblock Assembly 8M0045344  
 [2] - Component of Engine Gasket Set 8M0045578  
 Component of Engine Gasket Set 8M0070509  
 Component of Longblock Assembly 8M0045344

# Water Pump And Front Cover



42796



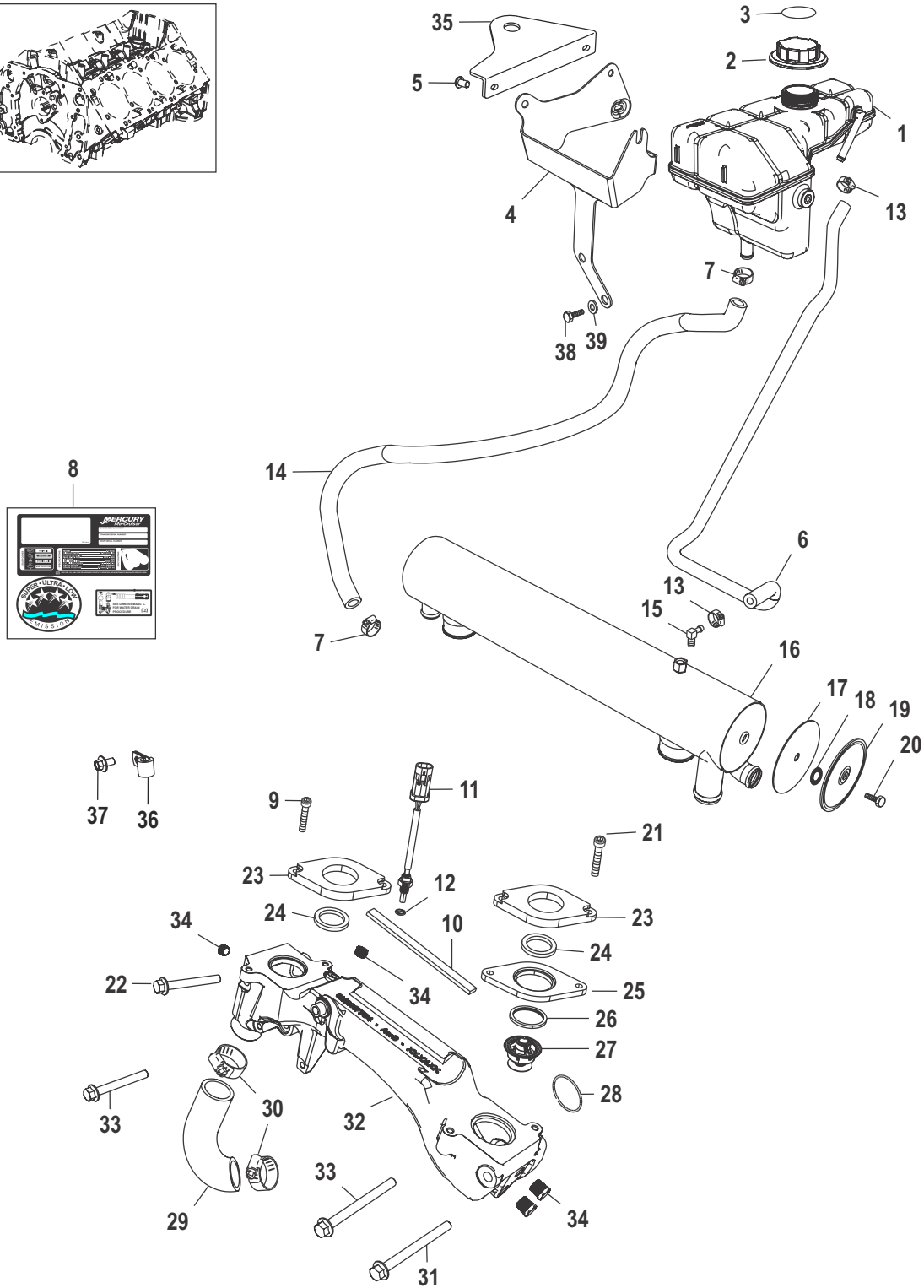
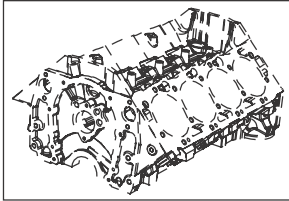
## Water Pump And Front Cover

Ref #	Part Class	Part Number	Description	Comments	Qty	Note
1	0057	8M0045227	BELT Serpentine	MCM	1	
1	0057	8M0045986	BELT Serpentine	MIE		
2	0010	866656	SCREW (.312-24 x .750) Stainless Steel		4	
3	0012	56720	WASHER (.330 x .750 x .060) Stainless Steel		4	
4	0000	865047T	PULLEY Water Pump		1	
5	0000	811573A04	PUMP ASSEMBLY Circulating Water		1	
6	0022	845174	PLUG (.500-14 x .610) Brass		1	[1]
7	0027	49110	GASKET Circulating Water Pump Mount		2	[2]
8	0022	8M2018248	FITTING Water Pump		1	
9	0010	865982011	SCREW (3/8-16 x1.75)		4	
11	0054	78945	J CLAMP Harness Support		1	[1]
12	0000	842250T02	COVER ASSEMBLY Cylinder Front - Black		1	[1]
13	0027	850456	GASKET Front Cover Mount		1	[3]
14	0026	8219471	SEAL Oil		1	[3]
15	0010	8M0044026	SCREW (.250-20 x 1.25)		6	[1]
16	0000	8M6001046	HARMONIC BALANCER		1	[1]
17	0000	8M2013566	PULLEY		1	
19	0010	863480	SCREW (.375-16 x 1.125)		3	
20	0010	845627	SCREW (.500-20 x 2.500)		1	
21	0012	818780	WASHER (.515 x 1.970 x .275) Black Oxide		1	
22	0000	864297T01	SENSOR ASSEMBLY Crankshaft Position		1	[1]
23	0025	885192	O-RING		1	[1]
24	0015	8M0007824	SHIM Crankshaft Position Sensor	- NOTE: Use Only If Required	1	[1]
25	0010	8175051	SCREW (.250-20 x .625)		1	
26	0010	8175051	SCREW (.250-20 x .625)		1	
27	0000	8M0011986	SENSOR ASSEMBLY Cam Position		1	[1]
28		NSS	NOT SOLD SEPARATE O-Ring		1	[1]
29	0000	843349	SHIM Cam Position Sensor	- NOTE: Use Only If Required	1	[1]

## PART NOTES:

- [1] - Component of Longblock Assembly 8M0045344  
 [2] - Component of Engine Gasket Set 8M0045578  
 Component of Engine Gasket Set 8M0070509  
 [3] - Component of Engine Gasket Set 8M0045578  
 Component of Engine Gasket Set 8M0070509  
 Component of Longblock Assembly 8M0045344

# Cooling System Fresh Water Components (2A041664 & below)



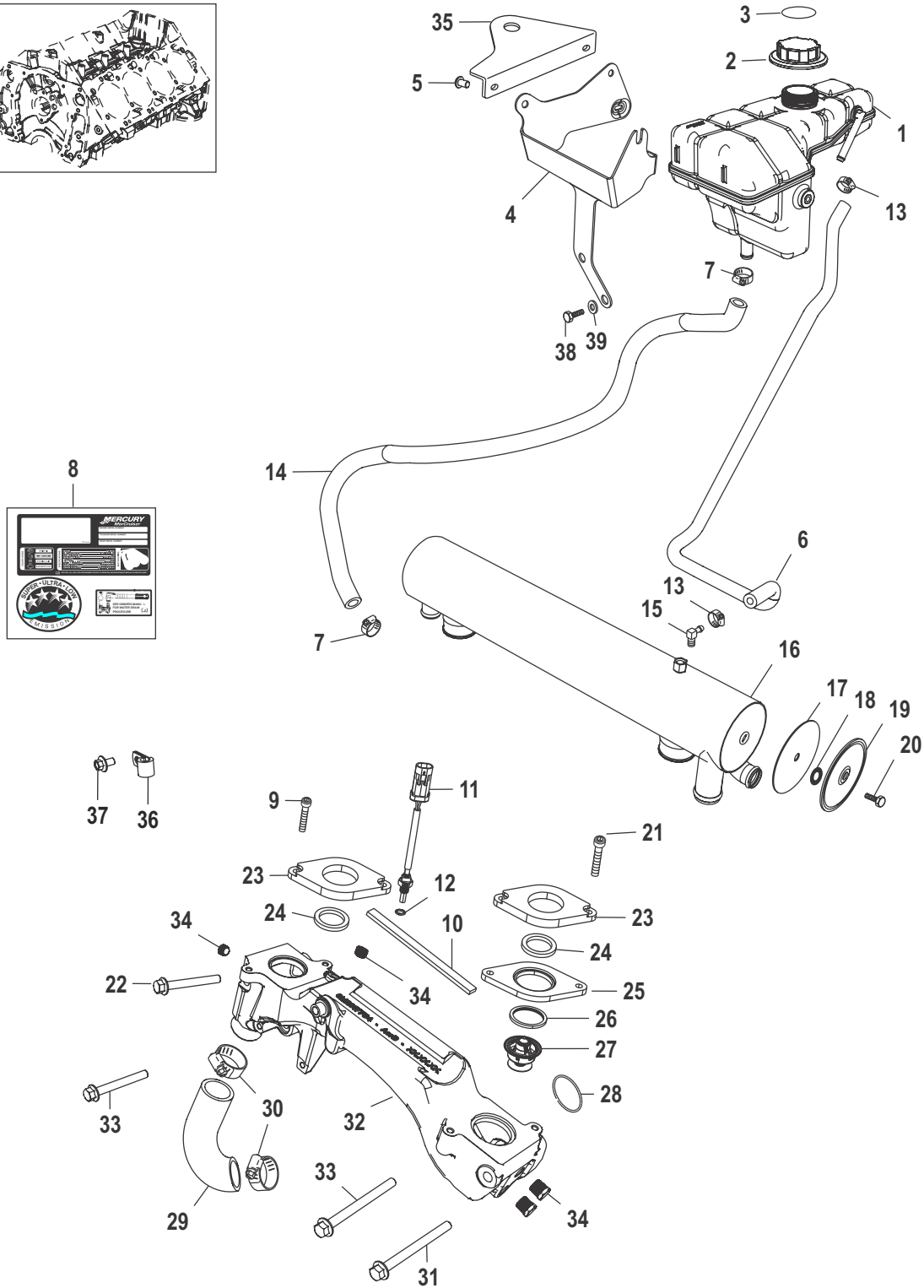
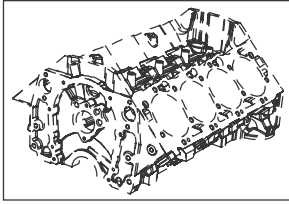
45147

## Cooling System Fresh Water Components (2A041664 &amp; below)

Ref #	Part Class	Part Number	Description	Comments	Qty	Note
1	0000	8M0045229	RESERVOIR ASSEMBLY Coolant		1	
2	0000	862863	CAP Coolant Reservoir		1	
3	0037	8M2017891	DECAL Engine Coolant		1	
4	0000	8M0050598	BRACKET Reservoir		1	
5	0010	8M2017990	SCREW (M8 x 1.25)	MCM/MCM Inline	3	
5	0010	8M2017990	SCREW (M8 x 1.25)	MIE V-Drive	2	
5	0010	81893412	SCREW (M8 x 12)	MIE V-Drive	1	
6	0032	8M2017664	HOSE Coolant Bleed		1	
7	0054	815504206	CLAMP Worm Gear		2	
8	0037	8M0045577	DECAL SET 8.2L Base Heat Exchanger	MCM	1	
8	0037	8M0045575	DECAL SET 8.2L High Output Heat Exchanger	MCM	1	
8	0037	8M0045580	DECAL SET 8.2L Base (MIE) Heat Exchanger		1	
8	0037	8M0045581	DECAL SET 8.2L High Output (MIE) Heat Exchanger		1	
9	0010	4010730	SCREW (M8 x 30)		2	
10	0000	843155001	FOAM STRIP (6.500 Inches)		2	
11	0000	885342002	SENSOR ASSEMBLY Water Temperature		1	
12	0025	896699	O-RING (1.78 mm x .08 mm)		1	[1]
13	0054	815504212	CLAMP Worm Gear		2	
14	0032	8M2017665	HOSE Reservoir to Circulating Pump		1	
15	0022	629101	FITTING Elbow - 90 Degree (.125-27)		1	
16	0000	8M0045230	HEAT EXCHANGER		1	
17	0027	891716	GASKET		1	[1]
18	0025	8M0039163	O-RING (3/8 x 1/8)		1	[1]
19	0000	891717	COVER		1	
20	0010	98261	SCREW (.375-16 x .750)		1	
21	0010	4010730	SCREW (M8 x 30)		2	
22	0010	8M2017380	SCREW (.4375-14 x 5.5)		1	
23	0000	8M2017984	PLATE Heat Exchanger		2	
24	0025	20295	QUAD RING 1.725 x .210 (1.725 x .210)		2	[1]
25	0000	8M2017982	PLATE Heat Exchanger		1	
26	0025	8071341	SEAL Thermostat		1	[1]
27	0000	8M0045990	THERMOSTAT		1	
28	0025	30529	O-RING (1.925 x .103)		2	[1]
29	0032	8M2019704	HOSE Crossover to Circulating Pump		1	
30	0054	815504232	CLAMP Worm Gear (2.50 Diameter)		2	
31	0010	8M0043100	SCREW (7/16-14 x 5.0) Crossover Port		1	
32	0000	8M0045236	CROSSOVER		1	
33	0010	8M0043101	SCREW (7/16-14 X 3.5) Lower Crossover		2	

Cooling System Fresh Water Components (2A041664 &amp; below)

# Cooling System Fresh Water Components (2A041664 & below)



45147

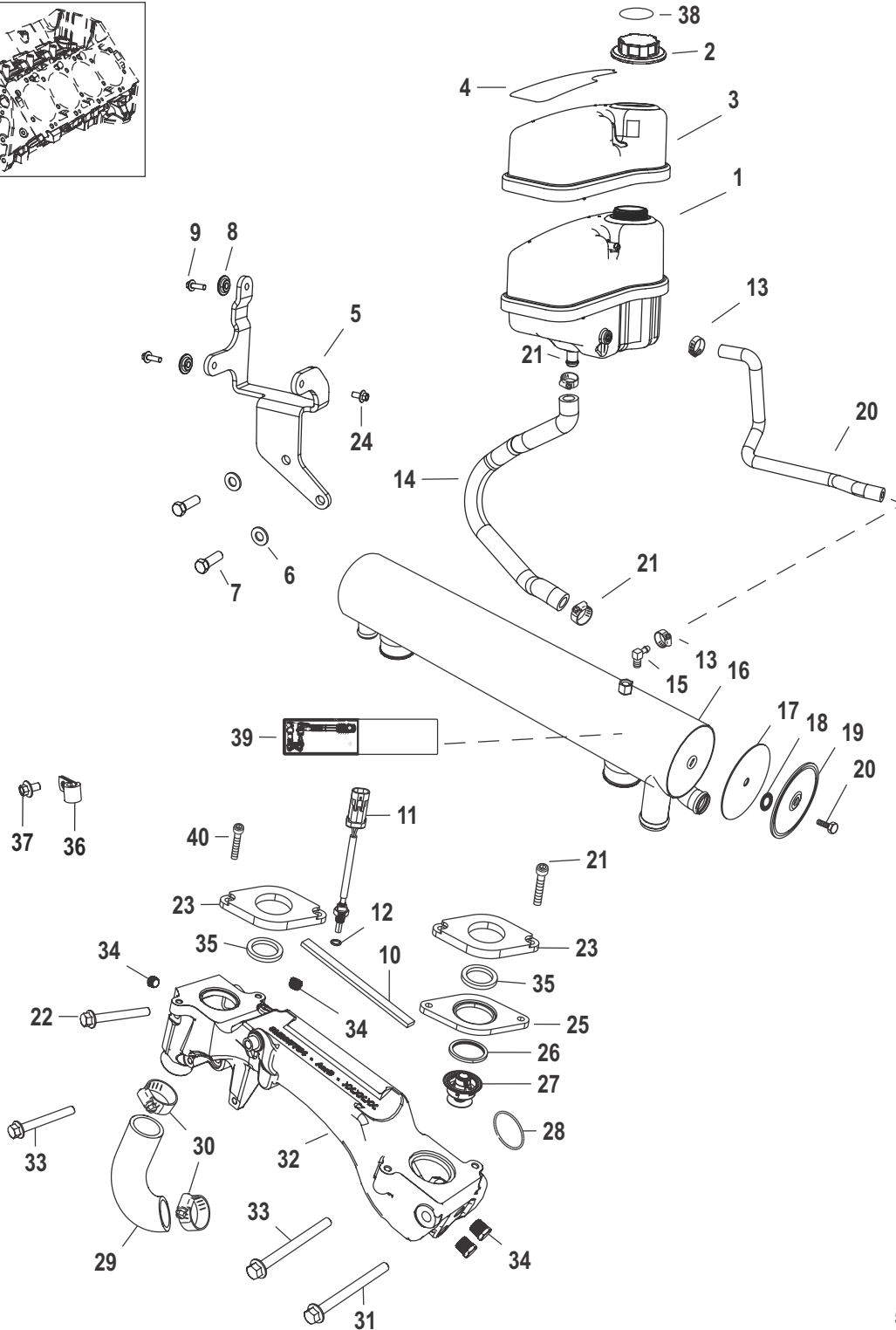
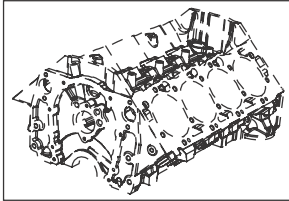
**Cooling System Fresh Water Components (2A041664 & below)**

Ref #	Part Class	Part Number	Description	Comments	Qty	Note
34	0022	32803	PLUG Pipe (.375-18) Brass		4	
35	0000	8M2000004	BRACKET Flush Mount		1	
36	0054	65653	CLIP		1	
37	0010	4010612	SCREW (M6 x 12) Stainless Steel		1	
38	0010	47461	SCREW (.437-14 x 1.00) Reservoir Bracket to Head		2	
39	0012	27025	WASHER		2	

**PART NOTES:**

[1] - Component of Engine Gasket Set 8M0045578

# Cooling System Fresh Water Components (2A041665 & up)



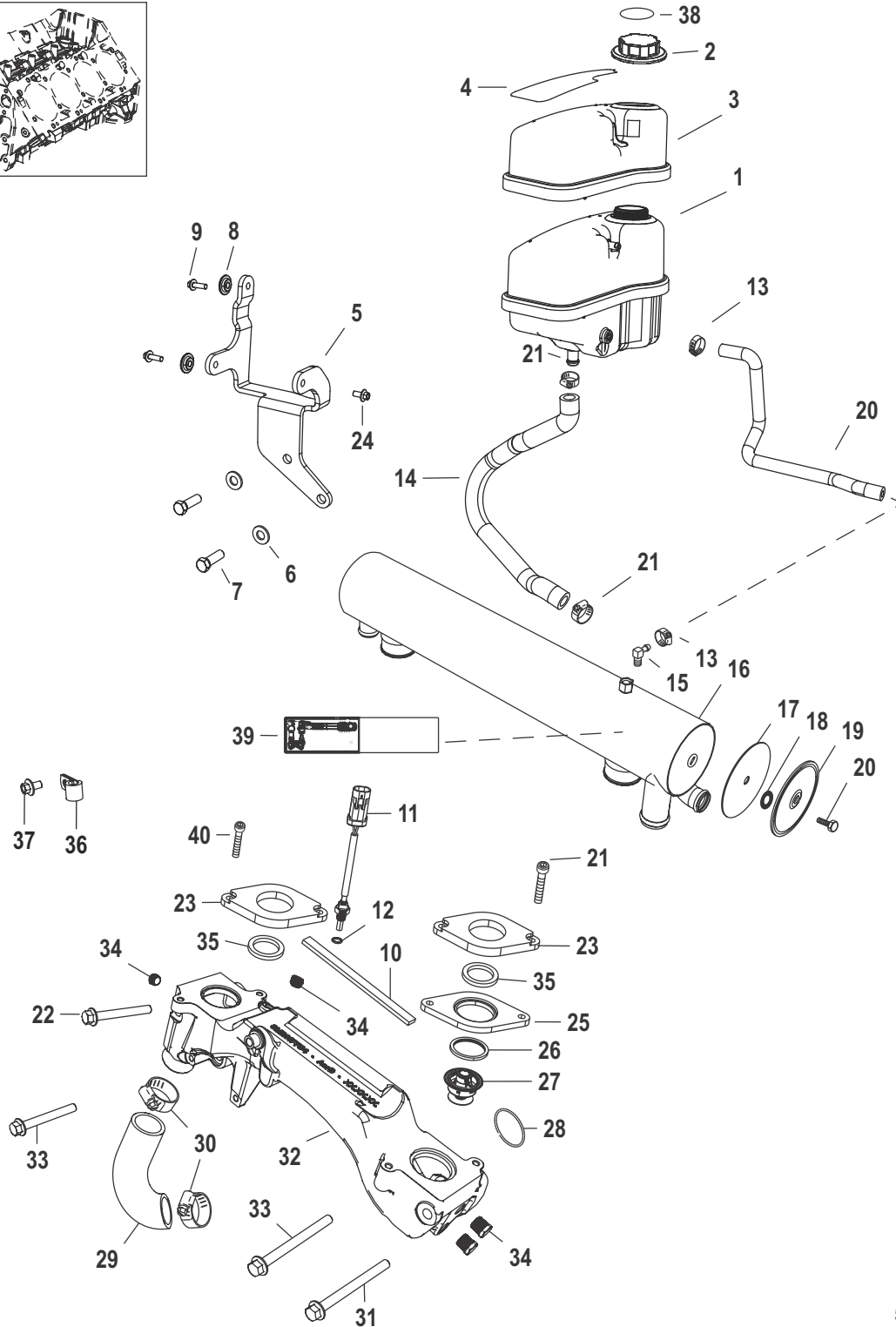
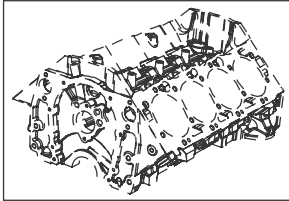
51206

## Cooling System Fresh Water Components (2A041665 &amp; up)

Ref #	Part Class	Part Number	Description	Comments	Qty	Note
1	0000	8M0070210	RESERVIOR Coolant		1	
2	0000	862863	CAP Coolant Reservoir		1	
3	0000	8M0070890	COVER		1	
4	0037	8M0034675	DECAL	Base [2A184329] & Below	1	
4	0037	8M0029391	DECAL	Base [2A184330] & Up	1	
4	0037	8M0034676	DECAL	H.O.	1	
5	0000	8M0070211	BRACKET Reservoir		1	
6	0012	27025	WASHER		2	
7	0010	47462	SCREW (.437-14 x 1.250)		2	
8	0023	8M2022695	SPACER		2	
9	0010	88552520	SCREW (M6 x 20 MM) Stainless Steel		2	
10	0000	843155001	FOAM STRIP (6.500 Inches)		2	
11	0000	885342002	SENSOR ASSEMBLY Water Temperature		1	
12	0025	896699	O-RING (1.78 mm x .08 mm)		1	[1]
13	0054	815504212	CLAMP Worm Gear		2	
14	0032	8M2017665	HOSE Reservoir to Circulating Pump		1	
15	0022	629101	FITTING Elbow - 90 Degree (.125-27)		1	
16	0000	8M0045230	HEAT EXCHANGER		1	
17	0027	891716	GASKET		1	[1]
18	0025	8M0039163	O-RING (3/8 x 1/8)		1	[1]
19	0000	891717	COVER		1	
20	0010	98261	SCREW (.375-16 x .750)		1	
21	0010	4010730	SCREW (M8 x 30)		2	
22	0010	8M2017380	SCREW (.4375-14 x 5.5)		1	
23	0000	8M2017984	PLATE Heat Exchanger		2	
24	0010	88552512	SCREW (M6 x 12 MM) Stainless Steel		1	
25	0000	8M2017982	PLATE Heat Exchanger		1	
26	0025	8071341	SEAL Thermostat		1	[1]
27	0000	8M0045990	THERMOSTAT		1	
28	0025	30529	O-RING (1.925 x .103)		2	[1]
29	0032	8M2019704	HOSE Crossover to Circulating Pump		1	
30	0054	815504232	CLAMP Worm Gear (2.50 Diameter)		2	
31	0010	8M0043100	SCREW (7/16-14 x 5.0) Crossover Port		1	
32	0000	8M0045236	CROSSOVER		1	
33	0010	8M0043101	SCREW (7/16-14 X 3.5) Lower Crossover		2	
34	0022	32803	PLUG Pipe (.375-18) Brass		4	
35	0025	20295	QUAD RING 1.725 x .210		2	[1]
36	0054	65653	CLIP		1	
37	0010	4010612	SCREW (M6 x 12) Stainless Steel		1	
38	0037	8M2017891	DECAL Engine Coolant		1	

Cooling System Fresh Water Components (2A041665 &amp; up)

# Cooling System Fresh Water Components (2A041665 & up)



51206



**Cat.# 90-8M0050611**

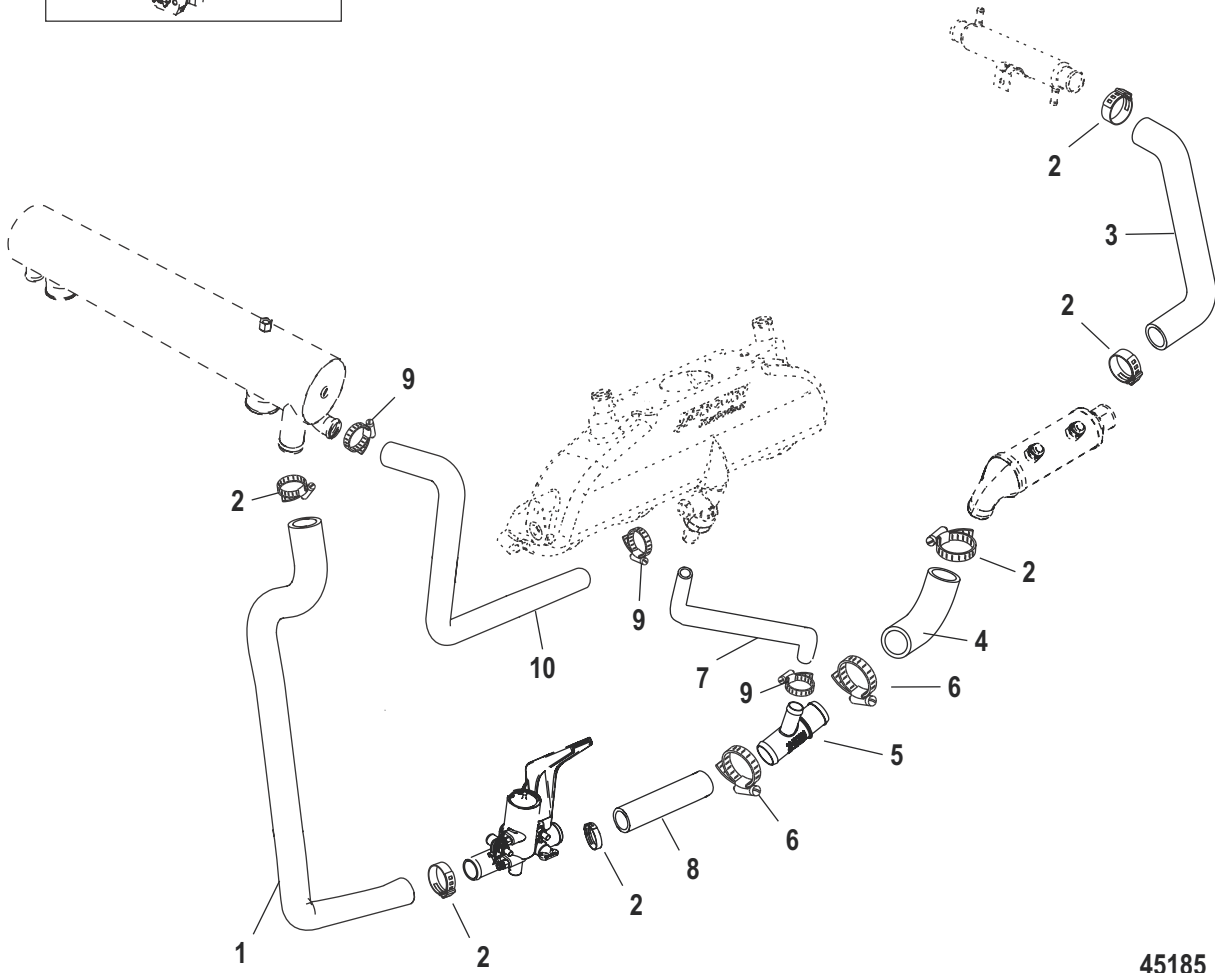
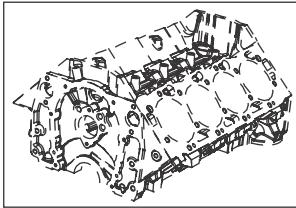
## Cooling System Fresh Water Components (2A041665 & up)

Ref #	Part Class	Part Number	Description	Comments	Qty	Note
39	0037	8M0071123	DECAL		1	
40	0010	4010730	SCREW (M8 x 30)		2	

**PART NOTES:**

[1] - Component of Engine Gasket Set 8M0070509

# Cooling System Raw Water Components, Port

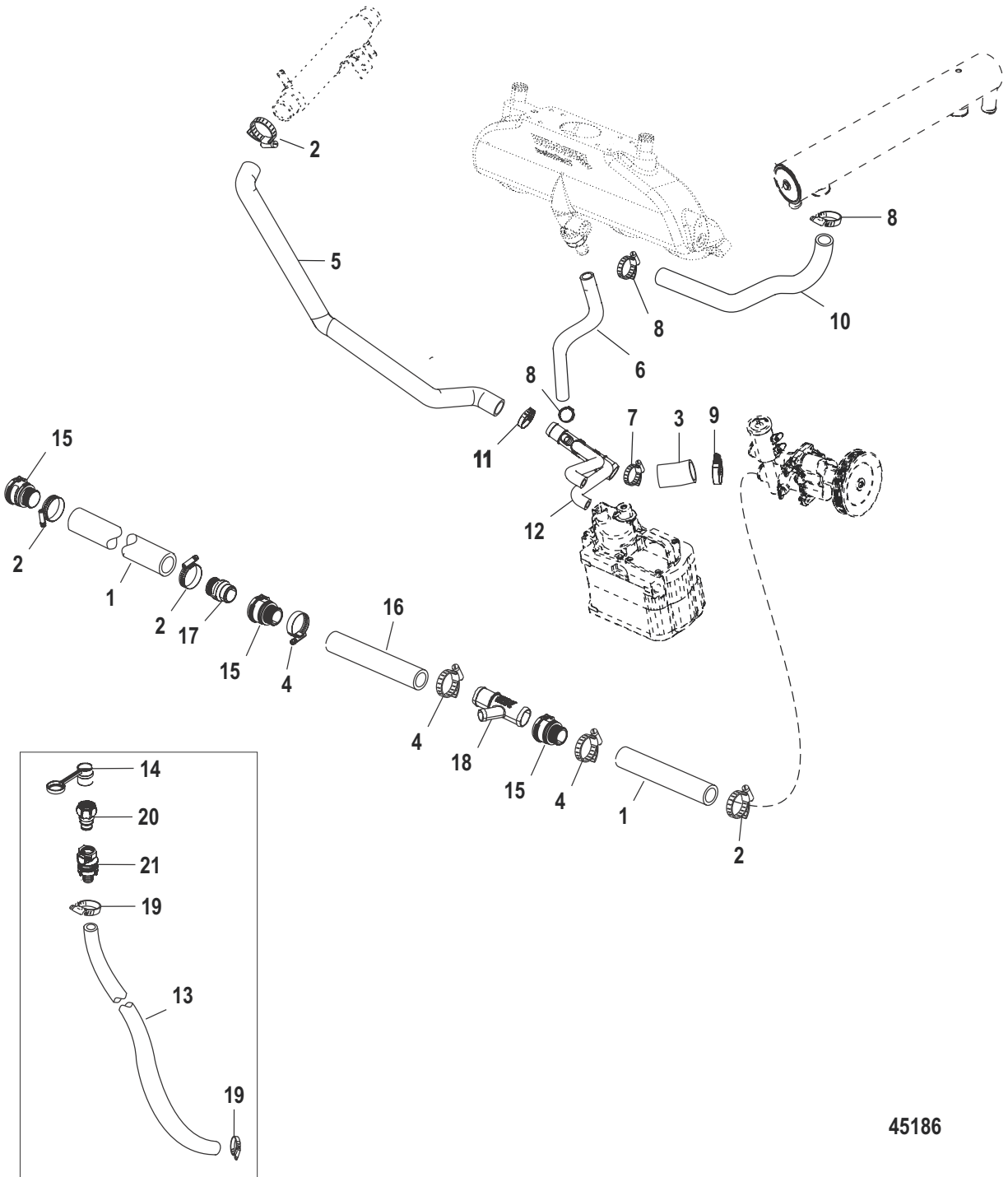


45185

## Cooling System Raw Water Components, Port

Ref #	Part Class	Part Number	Description	Comments	Qty	Note
1	0032	8M2017132	HOSE Water Drain to Heat Exchanger		1	
2	0054	815504222	CLAMP Worm Gear (1.98 Diameter)		AR	
3	0032	8M2017359	HOSE Power Steering Cooler to Oil Cooler		1	
4	0032	8M2017497	HOSE To Oil Cooler		1	
5	0022	862993	FITTING Y, (2) 1-1/4 In. Hose Barbs / (1) 3/4 In. Hose Barb		1	
6	0054	815504228	CLAMP Worm Gear		2	
7	0032	4285069	HOSE (44.00 Inches Bulk) To Drain	(Cut to 11.5 Inches)	1	
8	0032	8M2007278	HOSE To Drain Housing		1	
9	0054	815504216	CLAMP Worm Gear (1.56 Diameter)		AR	
10	0032	8M2017130	HOSE Heat Exchanger to Drain Fitting		1	

# Cooling System Raw Water Components, Starboard

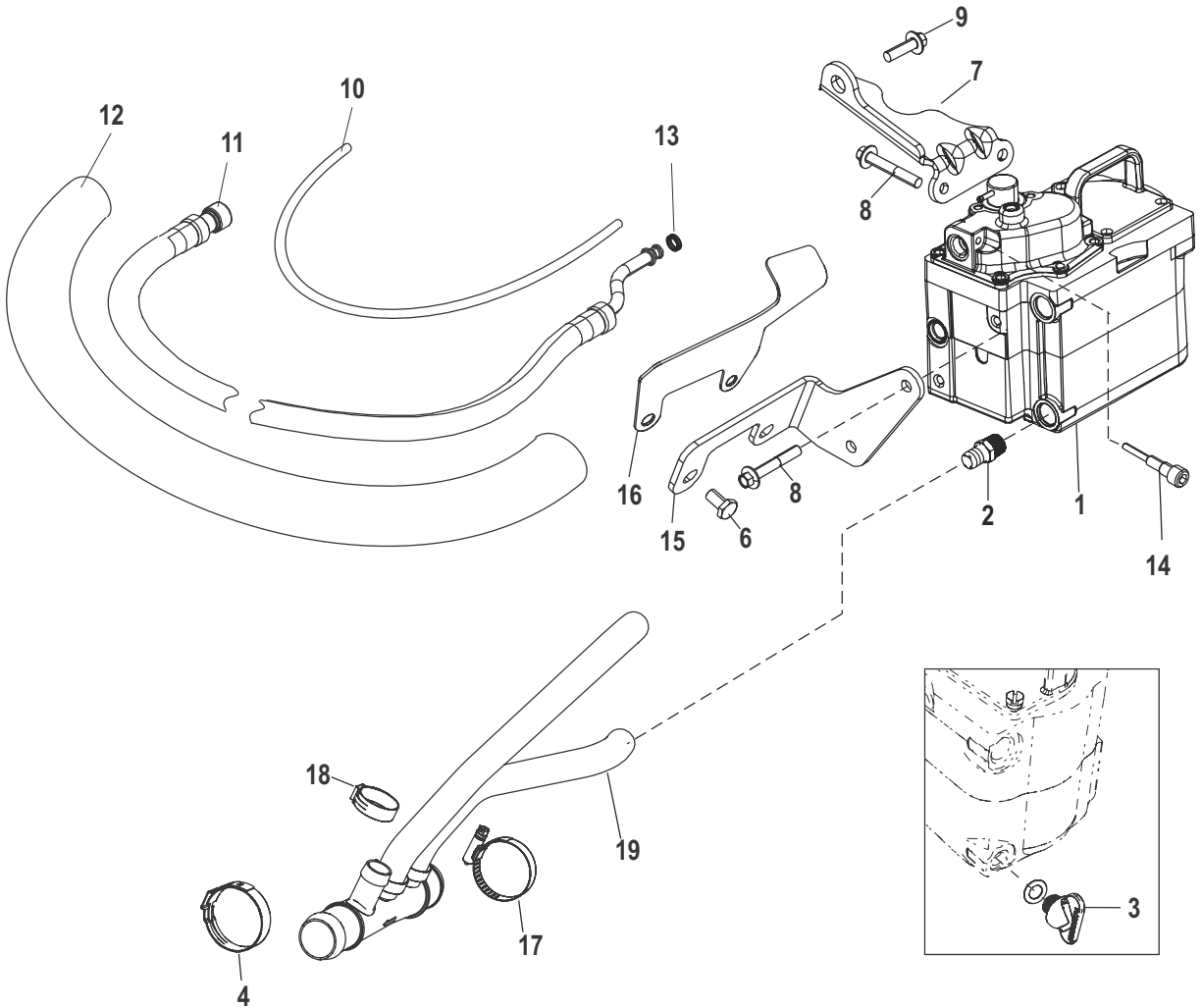


45186

## Cooling System Raw Water Components, Starboard

Ref #	Part Class	Part Number	Description	Comments	Qty	Note
1	0032	865672079	HOSE (96.00 Inches Bulk)	(Cut to Fit)	1	
2	0054	815504228	CLAMP Worm Gear		AR	
3	0032	8M2017358	HOSE Sea Water Pump to Fitting		1	
4	0054	815504222	CLAMP Worm Gear (1.98 Diameter)		2	
5	0032	8M2018801	HOSE Water Orifice to Power Steering Cooler		1	
6	0032	4285069	HOSE (44.00 Inches Bulk) Drain Fitting to Orifice Meter	(Cut to 11 Inches)	1	
7	0054	815504232	CLAMP Worm Gear (2.50 Diameter)		1	
8	0054	815504216	CLAMP Worm Gear (1.56 Diameter)		AR	
9	0054	815504232	CLAMP Worm Gear (2.50 Diameter)		1	
10	0032	8M2020245	HOSE Heat Exchanger to Drain Fitting		1	
11	0054	815504228	CLAMP Worm Gear		1	
12	0022	8M0045363	HOSE ASSEMBLY 3 Bib Orifice Meter		1	
13	0032	8M2019902	HOSE (42 Inches) Water		1	
14	0000	861427	CAP		1	
15	0022	865324	QUICK CONNECT		2	
15	0022	865324	QUICK CONNECT	SeaCore Flush	1	
16	0032	865672079	HOSE (96.00 Inches Bulk)	(Cut to 14.50)	1	
17	0022	865362	QUICK CONNECT		1	
18	0022	8M4501756	FITTING	SeaCore	1	
19	0054	815504212	CLAMP Worm Gear		1	
20	0022	861405	FITTING		1	
21	0022	861406	SOCKET		1	

# Cool Fuel System (2A041664 & below)



44818

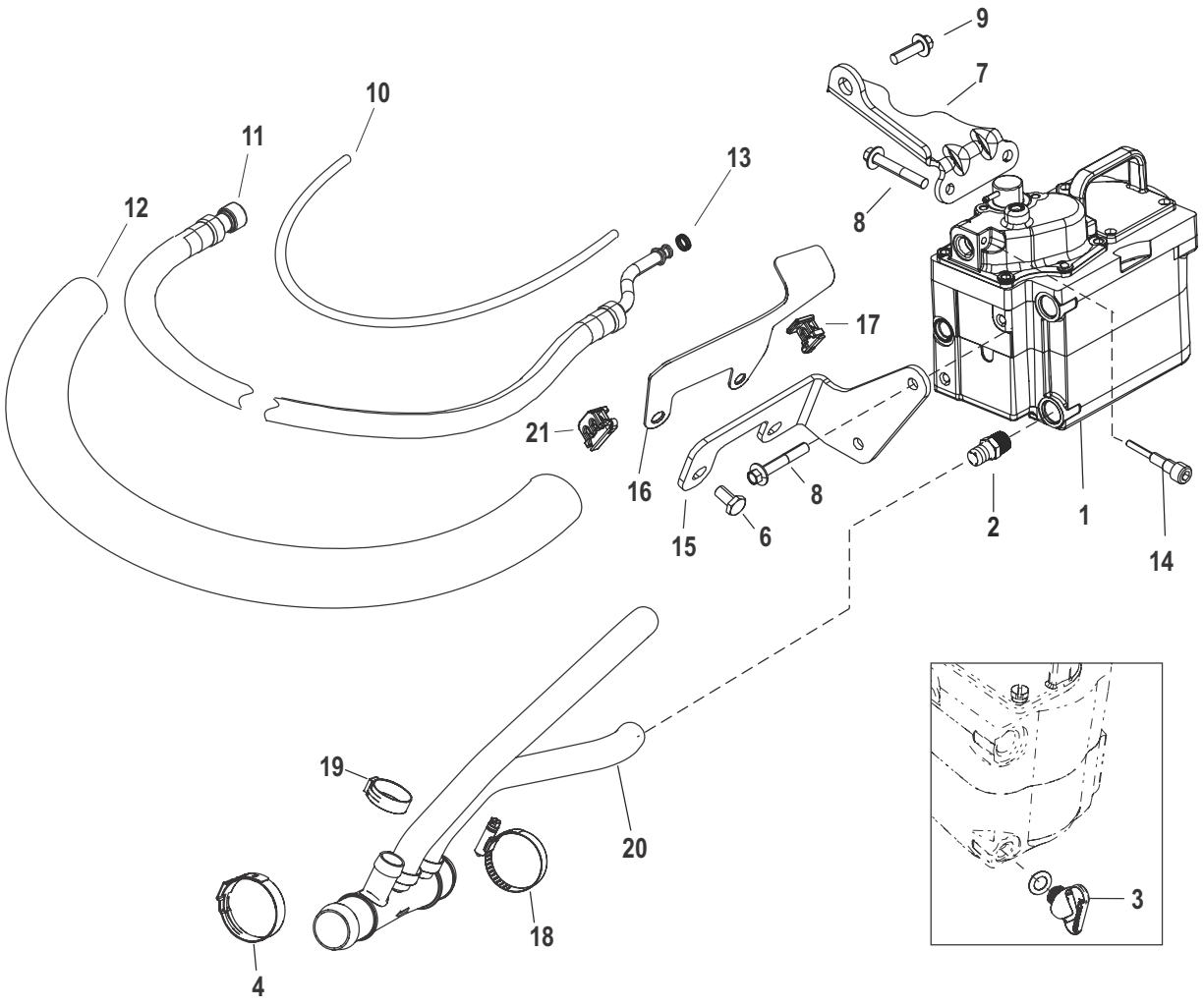
## Cool Fuel System (2A041664 &amp; below)

Ref #	Part Class	Part Number	Description	Comments	Qty	Note
1	0000	864650A13	MODULE KIT Fuel Pump, Complete		1	
1	0000	8M0047215	MODULE KIT Fuel Pump, Complete With Drain Port		1	
2	0022	8M2010476	FITTING (3/8-18)		2	
3	0022	806608A02	PLUG ASSEMBLY (.500-13) Blue Housing With Drain Port Only		1	[1]
4	0054	815504220	CLAMP Worm Gear		1	
5	0054	815504222	CLAMP Worm Gear (1.98 Diameter)		1	
6	0010	40001195	SCREW (M10 x 30)		2	
7	0000	8M2017251	BRACKET Support, Fuel Module		1	
8	0010	4010720	SCREW (M8 x 20)		4	
9	0010	8M2017668	SCREW (7/16-14 x 1.00)		1	
10	0032	80617382	HOSE (58.00 Inches Bulk)		1	
11	0032	8M0046149	LINE Fuel Fuel Module to Fuel Rail		1	
12		NSS	NOT SOLD SEPARATE INSULATOR SLEEVE		1	
13	0026	863151	SEAL Quad Ring		1	
14	0010	866114	SCREW (.250-28) Special		1	
15	0000	864468T	BRACKET		1	
16	0000	8M2001894	SHIELD Fuel Line		1	
17	0054	815504232	CLAMP Worm Gear (2.50 Diameter)		1	
18	0054	815504212	CLAMP Worm Gear		1	
19	0022	8M0045363	HOSE ASSEMBLY 3 Bib Orifice Meter		1	

## PART NOTES:

- [1] - Alternate part numbers:  
806608A02 Service Part  
806608Q01 QS

# Cool Fuel System (2A041665 & up)



50987



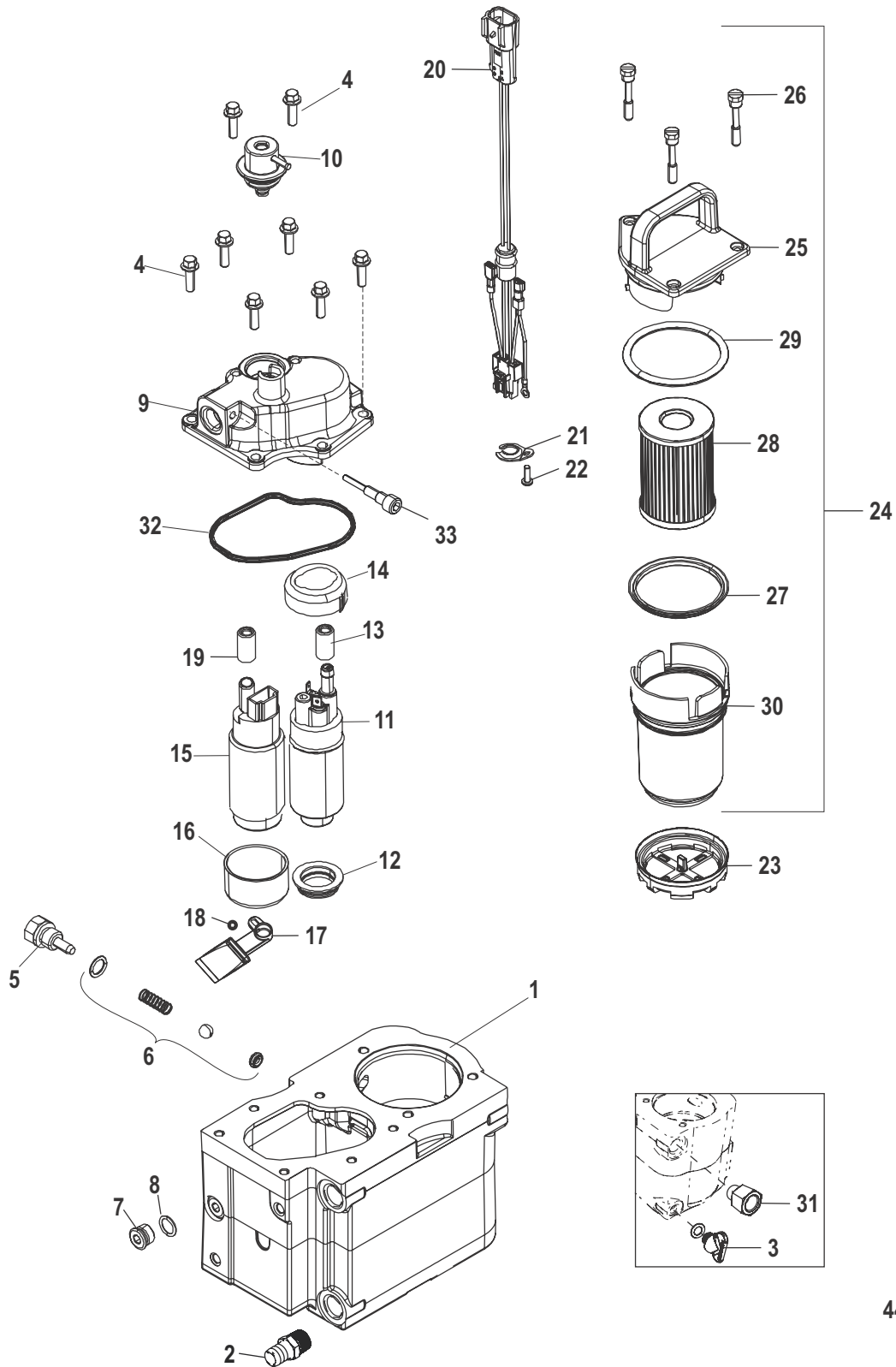
## Cool Fuel System (2A041665 &amp; up)

Ref #	Part Class	Part Number	Description	Comments	Qty	Note
1	0000	8M0047215	MODULE KIT Fuel Pump, Complete		1	
1	0000	8M0047215	MODULE KIT Fuel Pump, Complete With Drain Port		1	
2	0022	8M2010476	FITTING (3/8-18)		2	
3	0022	806608A02	PLUG ASSEMBLY (.500-13) Blue Housing With Drain Port Only		1	[1]
4	0054	815504220	CLAMP Worm Gear		1	
5	0054	815504222	CLAMP Worm Gear (1.98 Diameter)		1	
6	0010	40001195	SCREW (M10 x 30)		2	
7	0000	8M2017251	BRACKET Support, Fuel Module		1	
8	0010	4010720	SCREW (M8 x 20)		4	
9	0010	8M2017668	SCREW (7/16-14 x 1.00)		1	
10	0032	8M0063567	HOSE 58.00 inch Bulk		1	
11	0032	8M0046149	LINE Fuel Fuel Module to Fuel Rail		1	
12		NSS	NOT SOLD SEPARATE INSULATOR SLEEVE		1	
13	0026	863151	SEAL Quad Ring		1	
14	0010	866114	SCREW (.250-28) Special		1	
15	0000	864468T	BRACKET		1	
16	0000	8M0065221	SHIELD Fuel Line		1	
17	0054	8M6500043	CLIP Ignition		1	
18	0054	815504232	CLAMP Worm Gear (2.50 Diameter)		1	
19	0054	815504212	CLAMP Worm Gear		1	
20	0022	8M0045363	HOSE ASSEMBLY 3 Bib Orifice Meter		1	
21	0054	8M6500044	CLIP Ignition, Dual		1	

**PART NOTES:**

- [1] - Alternate part numbers:  
806608A02Service Part  
806608Q01QS

# Fuel Module Components -Bravo

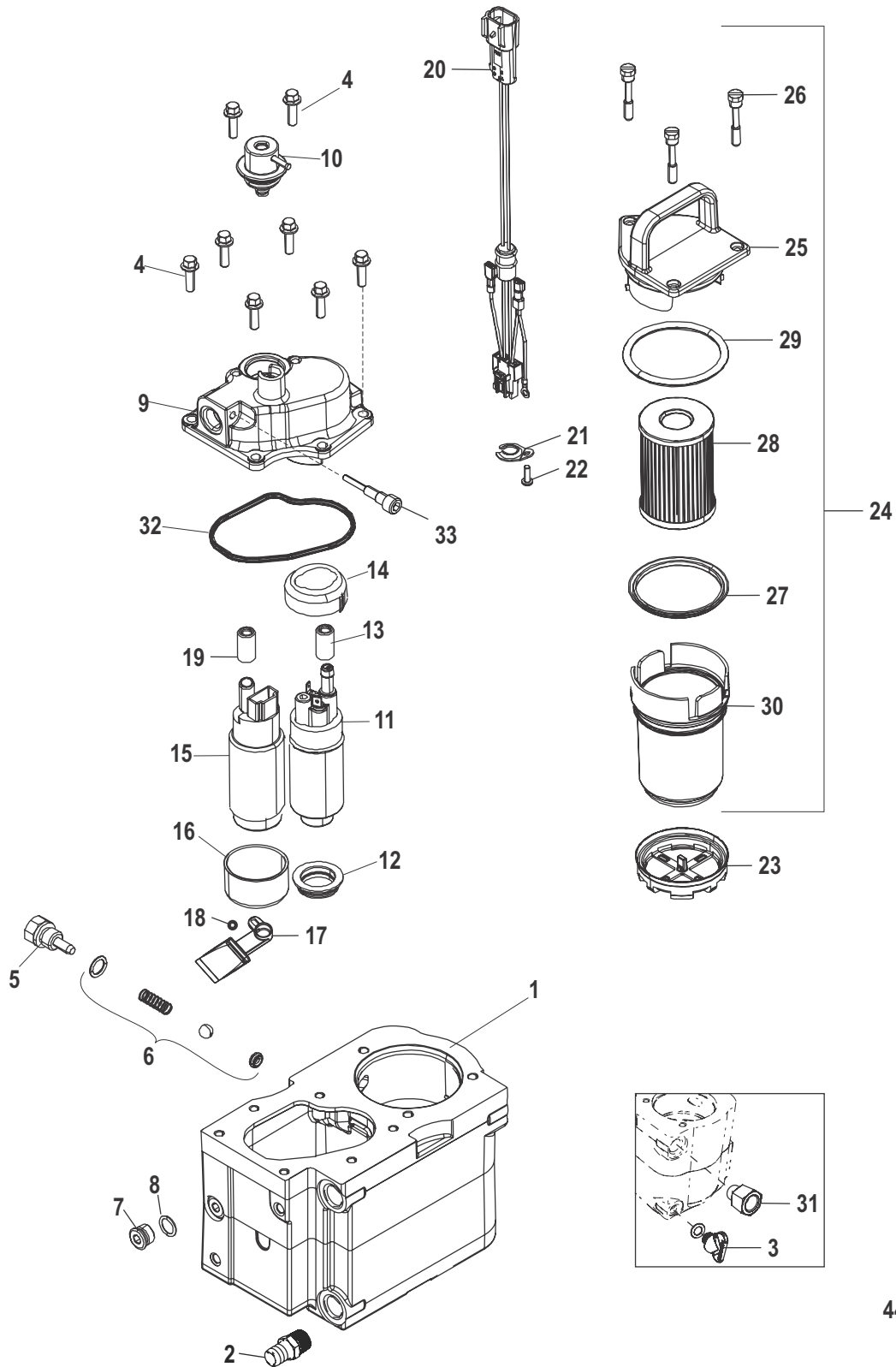


44814

## Fuel Module Components -Bravo

Ref #	Part Class	Part Number	Description	Comments	Qty	Note
-	0000	8M0047215	MODULE KIT Fuel Pump, Complete		1	
-	0000	8M0047215	MODULE KIT Fuel Pump, Complete With Drain Port		1	
1	0000	8M0047216	HOUSING Fuel Module With Drain Port		1	
2	0022	8M2010476	FITTING (3/8-18)		2	
3	0022	806608A02	PLUG ASSEMBLY (.500-13) Blue Housing With Drain Port Only		1	[1]
4	0010	892684	SCREW		8	
5	0000	892670A01	CHECK VALVE KIT		1	
6		NSS	NOT SOLD SEPARATE Check Valve		1	
7		NSS	NOT SOLD SEPARATE Plug		1	
8		NSS	NOT SOLD SEPARATE Seal		1	
9	0000	892677	COVER Fuel Module Housing		1	
10	0000	892681	REGULATOR		1	
11	0000	866170A01	PUMP ASSEMBLY Fuel - Low Pressure		1	
12		NSS	NOT SOLD SEPARATE Seal		1	[2]
13		NSS	NOT SOLD SEPARATE Seal		1	[2]
14		NSS	NOT SOLD SEPARATE Isolator, Lift Pump		1	[2]
15	0000	866169T01	PUMP ASSEMBLY Fuel High Pressure		1	
16		NSS	NOT SOLD SEPARATE Isolator		1	[2]
17	0035	8M2018790	FILTER Pump Suction		1	
18	0054	8M2018792	CLIP		1	
19		NSS	NOT SOLD SEPARATE Seal		1	[2]
20	0084	8M0056175	HARNESS ASSEMBLY		1	
21		NSS	NOT SOLD SEPARATE Retainer		1	
22		NSS	NOT SOLD SEPARATE Screw		1	
23	0035	892665	FILTER Fuel		1	
24	0035	892687A02	CARTRIDGE ASSEMBLY Fuel Filter		1	
25		NSS	NOT SOLD SEPARATE Cap, Fuel Filter Cartridge		1	
26		NSS	NOT SOLD SEPARATE Screw		3	
27		NSS	NOT SOLD SEPARATE Seal		1	[2]
28	0035	866171A01	FILTER		1	[3]
29		NSS	NOT SOLD SEPARATE Seal		1	[2]
30		NSS	NOT SOLD SEPARATE Cup, Fuel Filter Cartridge		1	
31	0022	88517	FITTING Reducing		1	
32	0026	892683	SEAL		1	[2]
33	0010	866114	SCREW (.250-28) Special		1	

# Fuel Module Components -Bravo



44814

## Fuel Module Components -Bravo

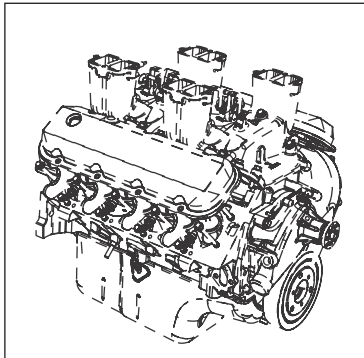
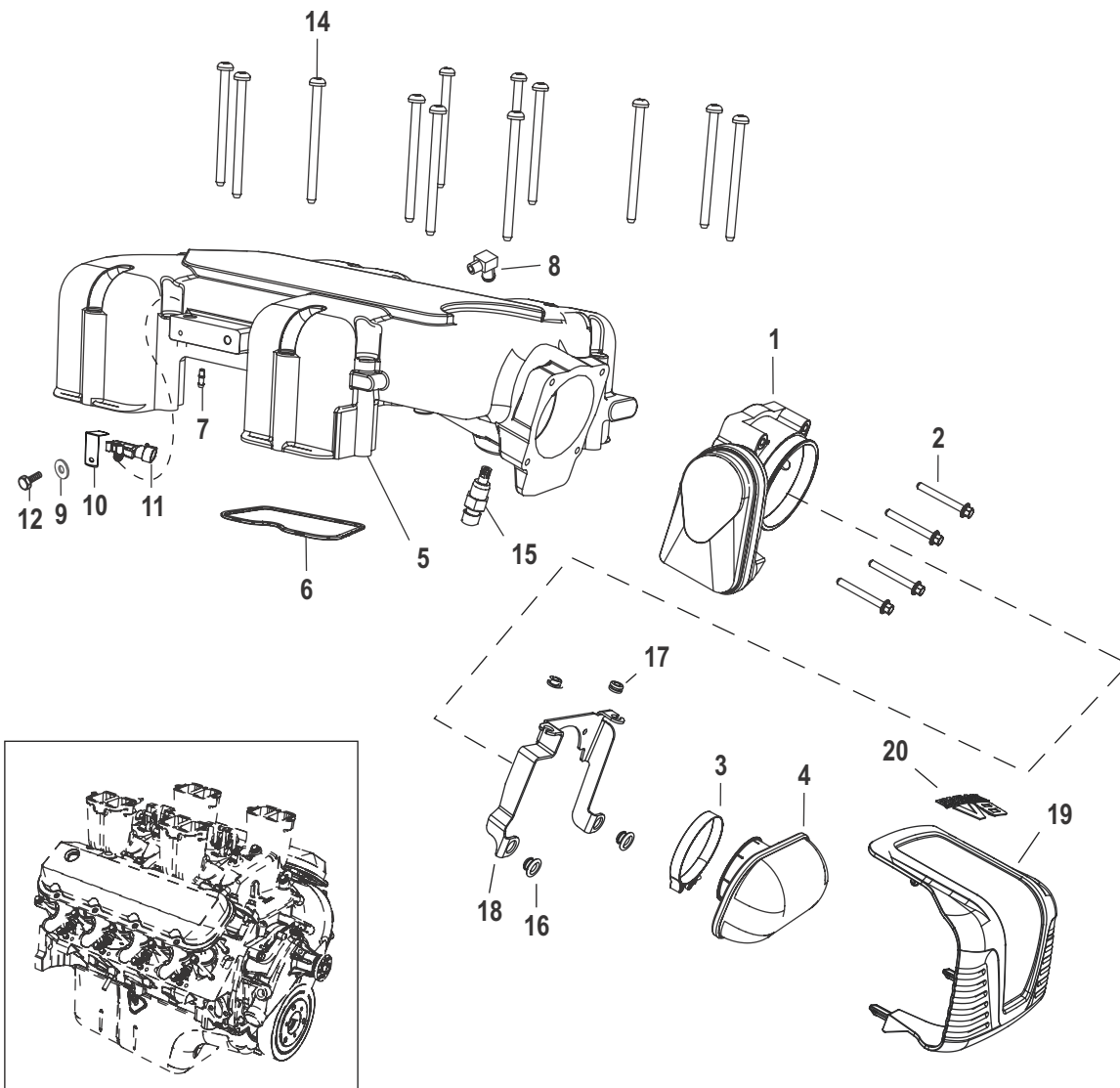
**PART NOTES:**

- [1] - Alternate part numbers:  
806608A02Service Part  
806608Q01QS
- [2] - Component of Seal Kit 892683A01
- [3] - Supersedes to 8M0093688 Which Now Includes Cap Seal and Filter Seal

# Throttle Body Digital Throttle-Shift



13



## Throttle Body Digital Throttle-Shift

Ref #	Part Class	Part Number	Description	Comments	Qty	Note
1	0000	8M0046460	THROTTLE BODY ASSEMBLY	(Digital)	1	
2	0010	88552560	SCREW (M6 x60)		4	
3	0054	863393	CLAMP		1	
4	0000	8M0045238	FLAME ARRESTOR		1	
5	0000	8M0045237	PLENUM ASSEMBLY		1	
6	0000	8M0044310	SEAL Intake Manifold		4	[1]
7	0022	805598	FITTING (.1875) Barb	[2A452416] & Below	1	
7	0022	814382	CONNECTOR	[2A452417] & Up	1	
8	0022	687271	FITTING (.250-18) 90 Degree - Brass		1	
9	0012	30164	WASHER (.192 x .375 x .0312) Stainless Steel		1	
10	0000	840981	BRACKET MAP Sensor Mount		1	
11	0000	854445	SENSOR MAP		1	
12	0010	847401	SCREW (#10-24 x .380)		1	
13	0037	8M0045436	DECAL SET 8.2L Base Plenum		1	
13	0037	8M0045437	DECAL SET 8.2L High Output Plenum		1	
13	0037	8M0045438	DECAL SET 8.2L Base (SeaCore) Plenum		1	
13	0037	8M0045439	DECAL SET 8.2L High Output (SeaCore) Plenum		1	
14	0010	805391	SCREW (.312-18 x 4.500)		12	
15	0000	805223T	SENSOR		1	
16	0025	8M2001671	GROMMET		2	
17	0025	828249	GROMMET		2	
18	0000	8M0070932	BRACKET		1	
19	0098	8M0070740	COVER ASSEMBLY		1	
20	0037	8M0056663	DECAL Silencer		1	

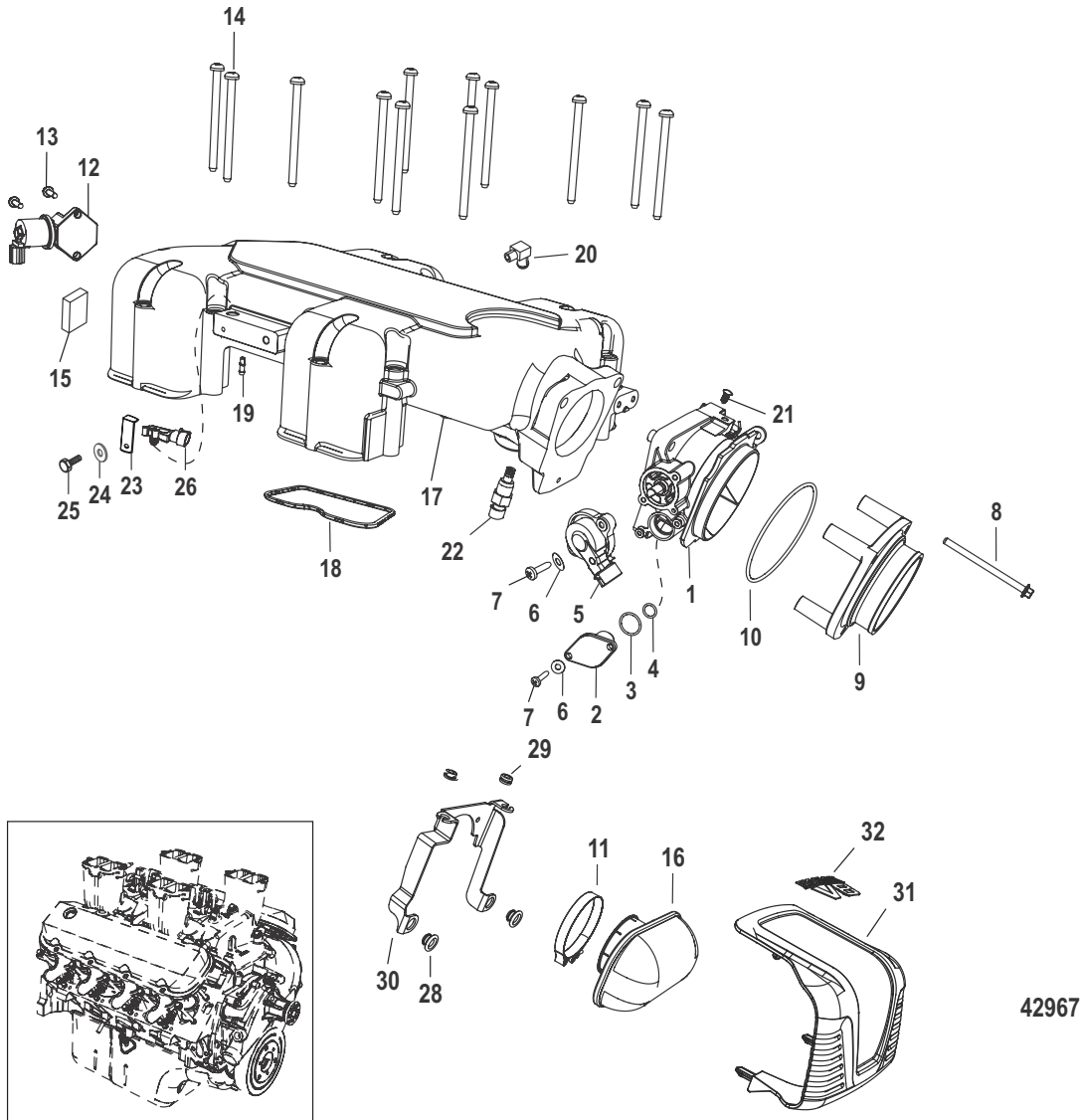
## PART NOTES:

- [1] - Component of Engine Gasket Set 8M0045578  
Component of Engine Gasket Set 8M0070509

# Throttle Body Mechanical Throttle-Shift



27





## Throttle Body Mechanical Throttle-Shift

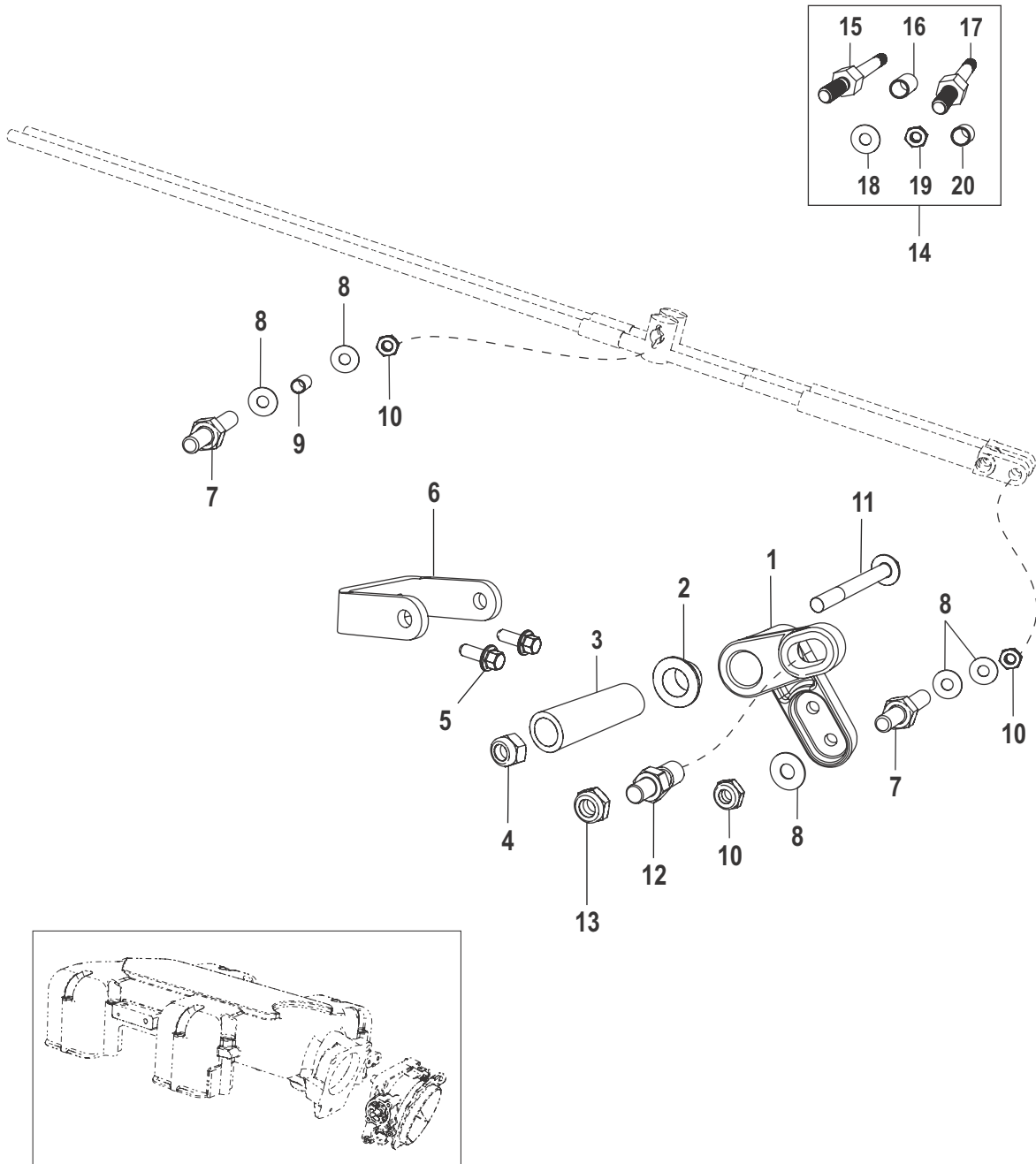
Ref #	Part Class	Part Number	Description	Comments	Qty	Note
1	0000	8M0045241	THROTTLE BODY ASSEMBLY		1	
2	0000	862999002	PLUG		1	
3	0025	808547	O-RING		1	
4	0025	863006	O-RING (10.82 x 1.78)		1	
5	0000	853678T	SENSOR TPS		1	
6	0012	11303	WASHER		4	
7	0010	4008612	SCREW (M4 x 12)		4	
8	0010	88552585	SCREW (M6 x 85 MM) Stainless Steel		3	
9	0000	8M0045765	ADAPTER Flame Arrestor	High Output	1	
9	0000	8M0045766	ADAPTER Flame Arrestor	Base	1	
10	0025	841807	O-RING (3.500 x .103)		1	[1]
11	0054	863393	CLAMP		1	
12	0000	8M0045797	VALVE ASSEMBLY Idle Air		1	
13	0010	88552520	SCREW (M6 x 20 MM) Stainless Steel		2	
14	0010	805391	SCREW (.312-18 x 4.500)		12	
15	0035	865266	FILTER		1	
16	0000	8M0045238	FLAME ARRESTOR		1	
17	0000	8M0045239	PLENUM ASSEMBLY		1	
18	0000	8M0044310	SEAL		4	[1]
19	0022	805598	FITTING (.1875) Barb	[2A452416] & Up	1	
19	0022	814382	CONNECTOR	[2A452417] & Below	1	
20	0022	687271	FITTING (.250-18) 90 Degree - Brass		1	
21	0010	8M0022331	SCREW Ratchet		1	
22	0000	805223T	SENSOR		1	
23	0000	840981	BRACKET MAP Sensor Mount		1	
24	0012	30164	WASHER (.192 x .375 x .0312) Stainless Steel		1	
25	0010	847401	SCREW (#10-24 x .380)		1	
26	0000	854445	SENSOR MAP		1	
27	0037	8M0045436	DECAL SET 8.2L Base Plenum		1	
27	0037	8M0045437	DECAL SET 8.2L High Output Plenum		1	
27	0037	8M0045438	DECAL SET 8.2L Base (SeaCore) Plenum		1	
27	0037	8M0045439	DECAL SET 8.2L High Output (SeaCore) Plenum		1	
28	0025	8M2001671	GROMMET		2	
29	0025	828249	GROMMET		2	
30	0000	8M0070932	BRACKET		1	
31	0098	8M0070740	COVER ASSEMBLY		1	
32	0037	8M0056663	DECAL Silencer		1	

## PART NOTES:

- [1] - Component of Engine Gasket Set 8M0045578  
Component of Engine Gasket Set 8M0070509

Throttle Body Mechanical Throttle-Shift

# Throttle Lever Assembly Mechanical Throttle-Shift

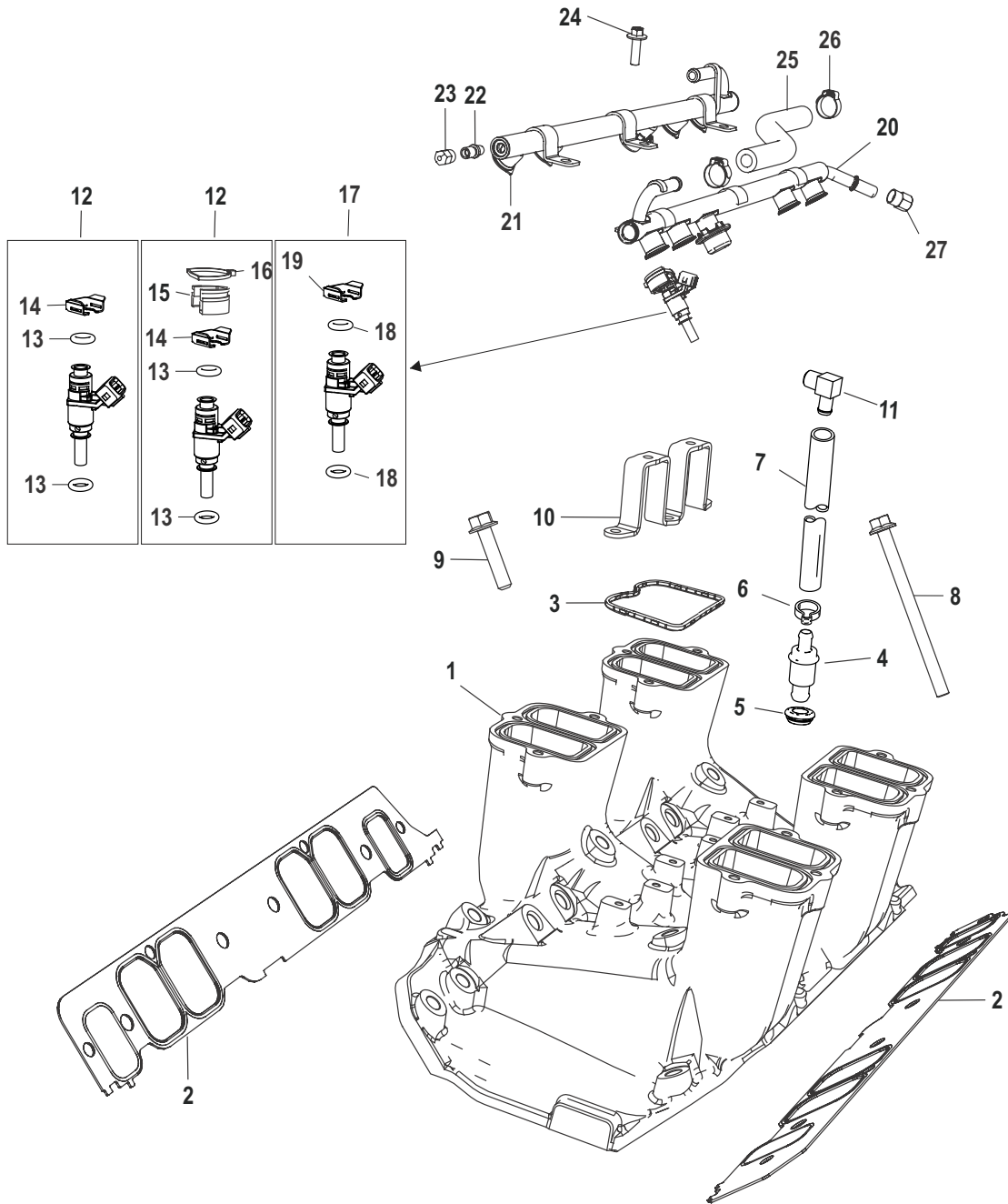


43613

## Throttle Lever Assembly Mechanical Throttle-Shift

Ref #	Part Class	Part Number	Description	Comments	Qty	Note
1	0000	8M0044205	LEVER ASSEMBLY Throttle		1	
2	0023	841238	BUSHING		2	
3	0023	8M0042528	BUSHING		1	
4	0011	826365	NUT (M8)		1	
5	0010	88552516	SCREW (M6 x 16 MM) Stainless Steel		2	
6	0000	8M0046459	BRACKET Throttle Lever		1	
7	0016	8M0045152	STUD Special (1.925 Inches) Throttle Cable		2	
8	0012	846673	WASHER (.265 x .500 x .060) Stainless Steel		5	
9	0023	31866	SPACER (.256 x .313 x .625)		1	
10	0011	826709109	NUT (.250-28) Stainless Steel		3	
11	0010	4010775	SCREW (M8 x 75)		1	
12	0000	8M0043740	ROLLER ASSEMBLY Throttle		1	
13	0011	826709111	NUT (.312-24) Stainless Steel		1	
14	0000	8M0046250	THROTTLE/SHIFT KIT Two Station	(Twin Engines Require Two Kits)	1	
15	0016	8M0045150	STUD Special (2.535 Inches)		1	
16	0023	31866	SPACER (.256 x .313 x .625)		2	
17	0016	8M0045143	STUD Special (2.23 Inches)		1	
18	0012	846673	WASHER (.265 x .500 x .060) Stainless Steel		3	
19	0011	826709109	NUT (.250-28) Stainless Steel		3	
20	0023	8M0045155	SPACER (0.26 x 0.50 x 0.24)		1	

# Intake Manifold



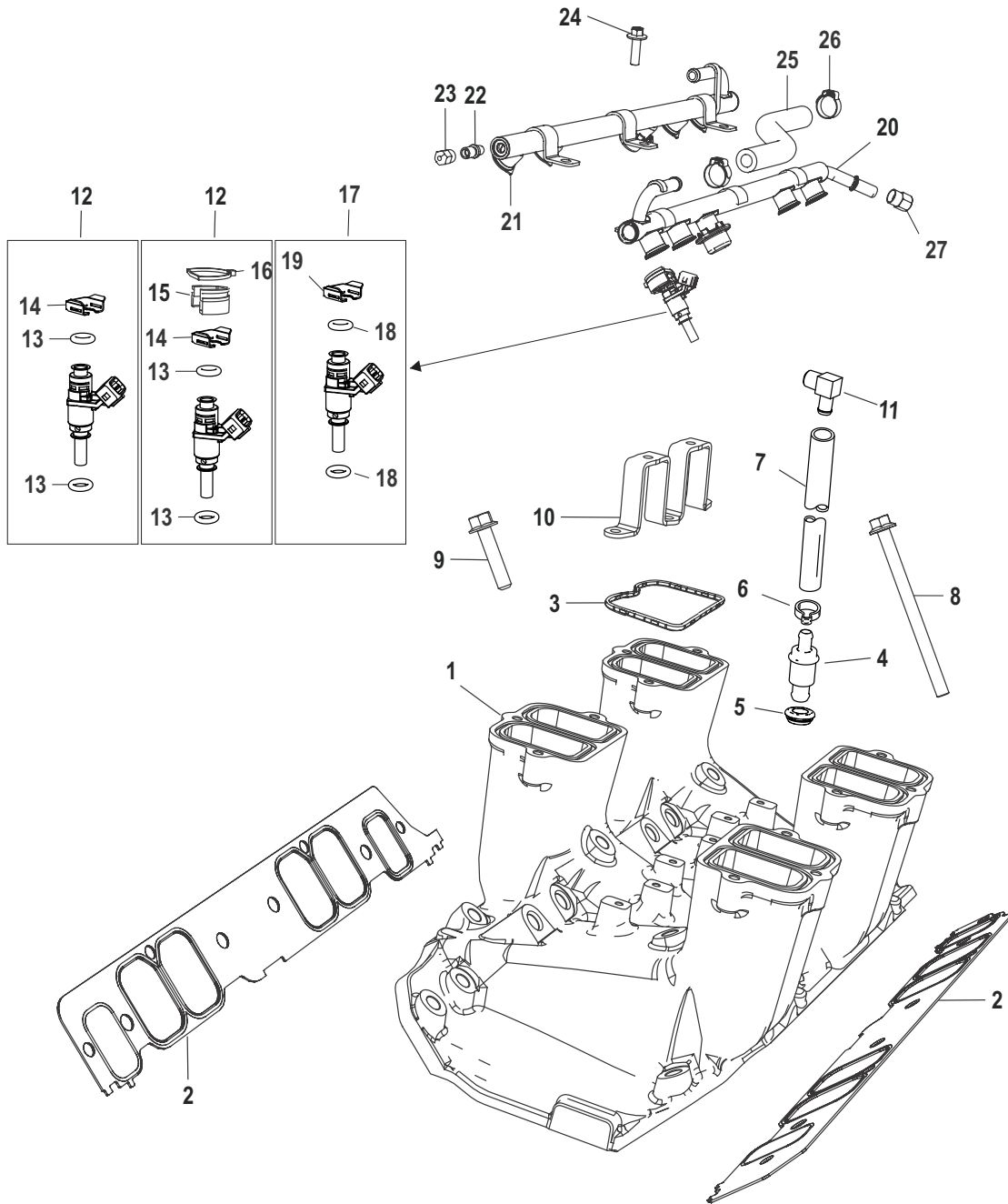
52776

## Intake Manifold

Ref #	Part Class	Part Number	Description	Comments	Qty	Note
1	0000	8M0045256	MANIFOLD ASSEMBLY Intake		1	
2	0027	805403A1	GASKET SET		1	[1]
3	0000	8M0044310	SEAL Intake Manifold		4	[1]
4	0000	848578	VALVE ASSEMBLY Crankcase Vent		1	
5	0025	811553	GROMMET		1	[1]
6	0054	848764	CLAMP (21 mm)		1	
7	0032	8M0042521	HOSE PCV Valve to Plenum		1	
8	0010	8M2017579	SCREW (.375-16 x 5.25) Intake Manifold to Head		4	
9	0010	8M0046395	SCREW (.375-16 x 1.75)		12	
10	0000	8M0043145	BRACKET Wire Harness		2	
11	0022	687271	FITTING (.250-18) 90 Degree - Brass		1	
12	0000	8M0082332	INJECTOR KIT Fuel Design-I or II	Use with Design-I Fuel Rail [2A030175] & Below	8	
13	0000	879150A09	SEAL KIT	(Contains 4 Upper Seals and 4 Lower) [2A030175] & Below	2	
14	0054	8M0045267	RETAINER KIT Design-I or II	(Set of 4), Use with Design-I Fuel Rail [2A030175] & Below	2	
15	0054	8M0050100	CLIP Fuel Injector, Secondary, Design-II	Use with Design-I Fuel Rail [2A030175] & Below	8	
16	0054	8M0050294	CABLE TIE Design-II	Use with Design-I Fuel Rail [2A030175] & Below	8	
17	0000	8M0082333	INJECTOR KIT Fuel Design-III	Use with Design-II Fuel Rail [2A030176] & Up	8	
18	0000	879150A09	SEAL KIT	(Contains 8 Seals) [2A030176] & Up	1	
19	0000	8M2001570	CLIP Design-III	Use with Design-II Fuel Rail [2A030176] & Up	8	
20	0000	8M0044743	FUEL RAIL Port	Design-I [2A030175] & Below	1	
20	0000	8M0081453	FUEL RAIL Port, Includes Injector Clips	Design-II [2A030176] & Up	1	
21	0000	8M0044754	FUEL RAIL Starboard	Design-I [2A030175] & Below	1	
21	0000	8M0081452	FUEL RAIL Starboard, Includes Injector Clips	Design-II [2A030176] & Up	1	
22	0021	8M0044726	VALVE ASSEMBLY		1	
23	0022	805515	CAP Shradar Valve - Brass		1	
24	0010	88552516	SCREW (M6 x 16 MM) Stainless Steel Fuel Rail to Intake Manifold		6	
25	0032	8M0044724	HOSE Balance	Design I [2A448680] & Below	1	
25	0032	8M0098781	HOSE KIT Includes Clamp	Design II [2A448681] & Up	1	
26	0054	8M0046568	CLAMP (20.5 mm)	Design I [2A448680] & Below	2	
26	0054	8M6002226	CLAMP	Design II [2A448681] & Up	2	
27	0019	8M0046566	CAP Service Point		1	

Intake Manifold

# Intake Manifold



52776

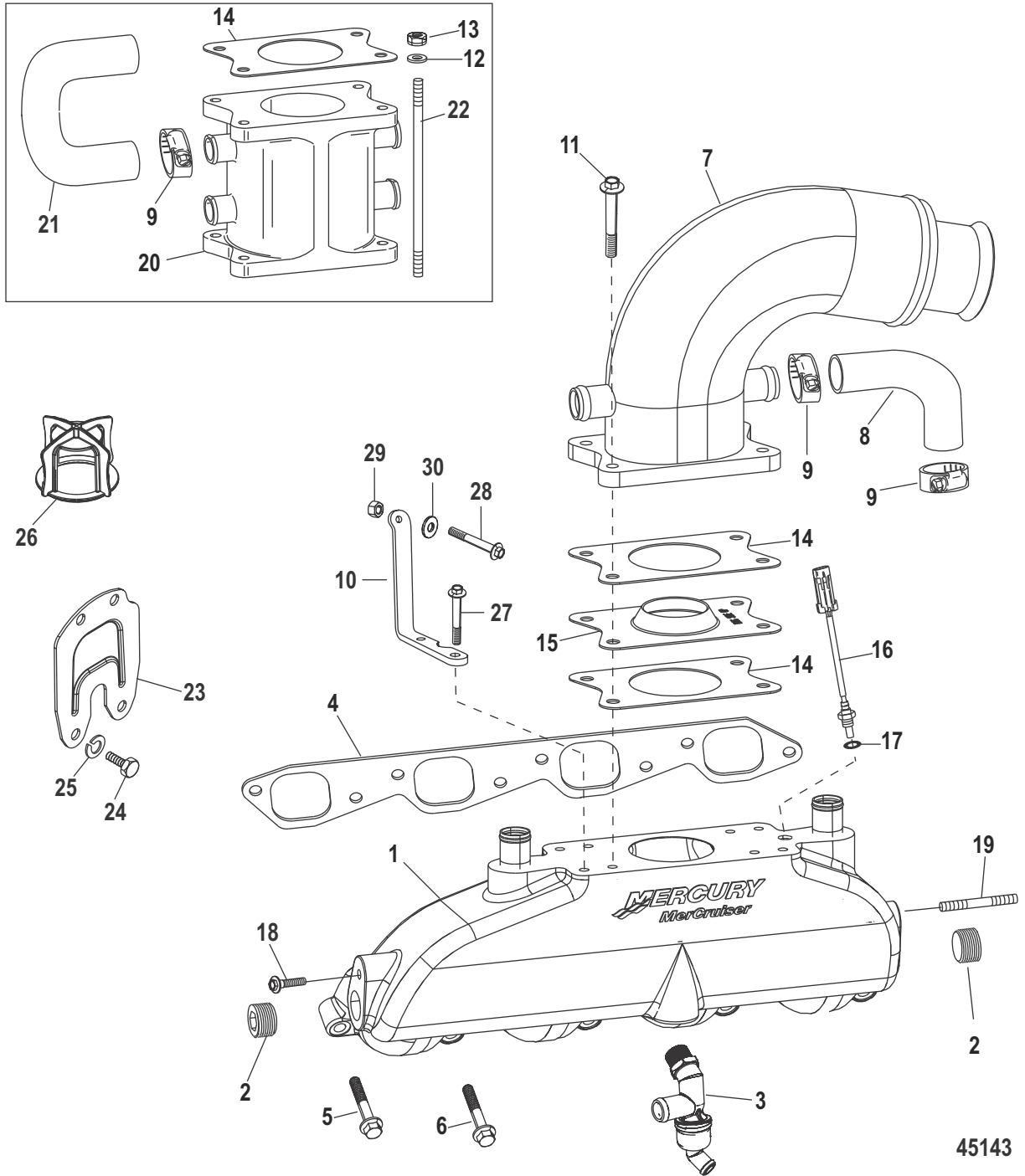
**Cat.# 90-8M0050611**

## Intake Manifold

**PART NOTES:**

- [1] - Component of Engine Gasket Set 8M0045578

# Exhaust Manifold Elbow and Riser



45143

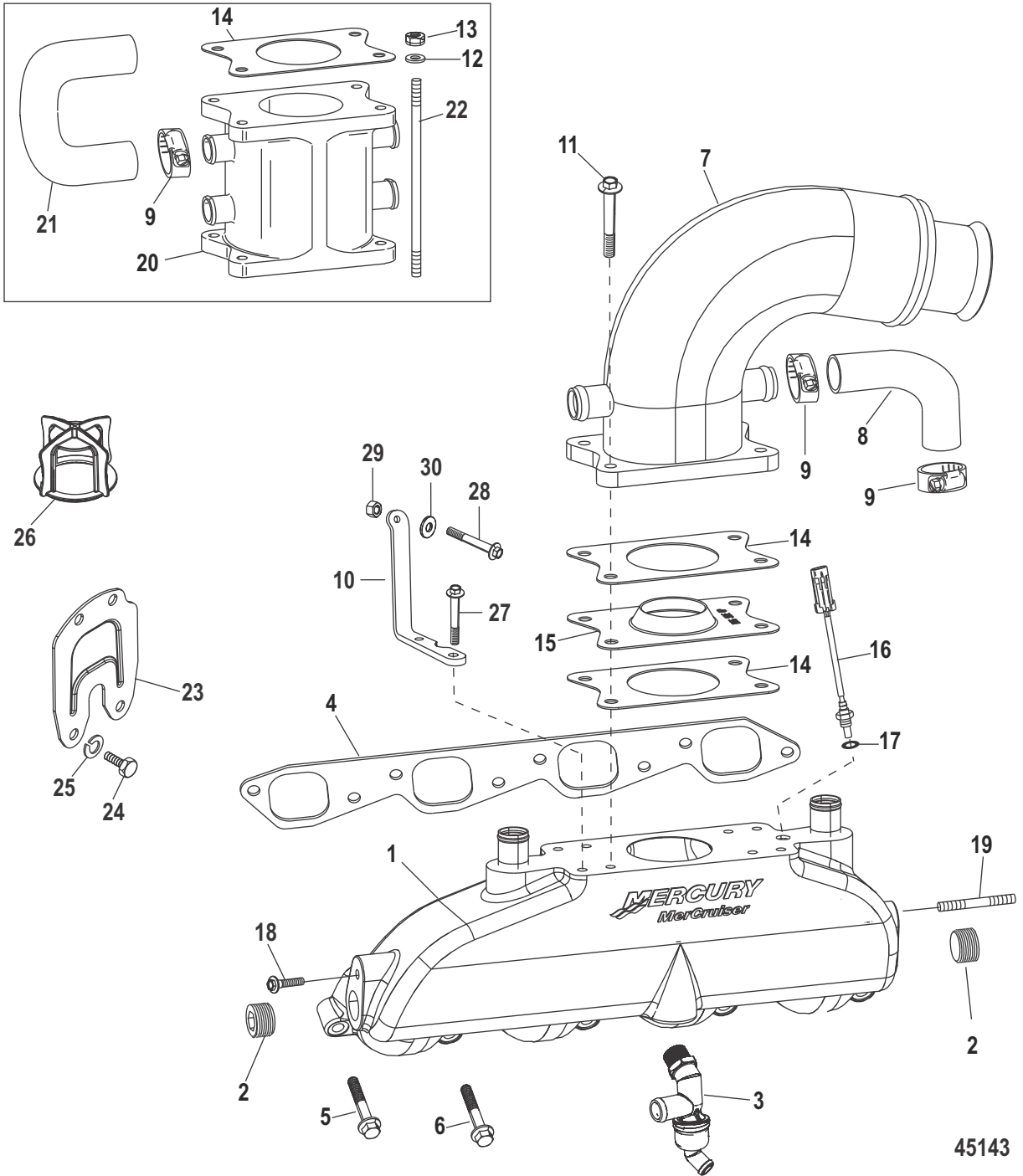


## Exhaust Manifold Elbow and Riser

Ref #	Part Class	Part Number	Description	Comments	Qty	Note
1	0000	866178T01	MANIFOLD ASSEMBLY Cast-Iron Alloy Exhaust		2	
2	0022	12524	PLUG (.375-18 x .475) Brass		1	
3	0022	8M0050599	FITTING ASSEMBLY Drain	Exhaust Manifold (Port)	1	
3	0022	865828A02	FITTING ASSEMBLY Drain	Exhaust Manifold (Starboard)	1	
4	0027	46820	GASKET Exhaust Manifold to Cylinder Head		2	[1]
5	0010	8M2017590	SCREW (.375-16 x 1.75)	[2A184329] & Below	8	
5	0010	8M0058302	SCREW (.375 - 16 X 1.75)	[2A184330] & Up	8	
6	0010	8M2017591	SCREW (.375-16 x 3.0)	[2A184329] & Below	8	
6	0010	8M0058303	SCREW (.375 - 16 X 3.0)	[2A184330] & Up	8	
7	0000	865331A02	ELBOW Exhaust	Standard Rise	2	
7	0000	865332A02	ELBOW Black Exhaust	2 Inch Rise	2	
8	0032	863095	HOSE Elbow to Manifold		4	
9	0054	815504216	CLAMP Worm Gear (1.56 Diameter)		8	
10	0000	8M2020215	BRACKET Support Cylinder Head to Reservoir		1	
10	0000	8M2020215	BRACKET Support Cylinder Head to Eye Bracket	[2A041664] & Below	1	
11	0010	4010725	SCREW (M8 x 25)		8	
12	0012	12038	WASHER		8	
13	0011	4002030	NUT (M8)		8	
14	0027	862356	GASKET Elbow to Manifold		4	
15	0000	8M2000433	TURBULATOR PLATE ASSY With Gaskets Exhaust		2	
16	0000	885342002	SENSOR ASSEMBLY Temperature		1	
17	0025	627021	O-RING (.301 x .070)		1	
18	0010	4010716	SCREW (M8 x 16)		1	
19	0016	424632	STUD (M8 x 37.1)		1	
20	0000	866768T	RISER (6 Inch)		2	
21	0032	863102	HOSE		4	
22	0016	863121	STUD (M8 x 194)		8	
NS	0019	8079923	COVER Hose Clamp End		8	
23	0000	861776A2	PLATE KIT		1	
24	0010	98794	SCREW (.375-16 x 1.00)		4	
25	0013	41471	LOCKWASHER (.375)		4	
26	0000	860222A1	RESONATOR Exhaust		1	
27	0010	4010720	SCREW (M8 x 20) Support Bracket to Manifold	[2A041664] & Below	4	
27	0010	4010720	SCREW (M8 x 20) Support Bracket to Manifold	[2A041665] & Up	2	
28	0010	82130025	SCREW (M6 x 25) Support Bracket to Reservoir Bracket	[2A041664] & Below	1	
28	0010	82130025	SCREW (M6 x 25) Support Bracket to Lube Bracket	[2A041664] & Below	1	
28	0010	4010618	SCREW (M6 x 18) Stainless Steel	[2A041665] & Up	1	
29	0011	401376	NUT (M6)	[2A041664] & Below	2	
29	0011	401376	NUT (M6)	[2A041665] & Up	1	

## Exhaust Manifold Elbow and Riser

# Exhaust Manifold Elbow and Riser



**Cat.# 90-8M0050611**

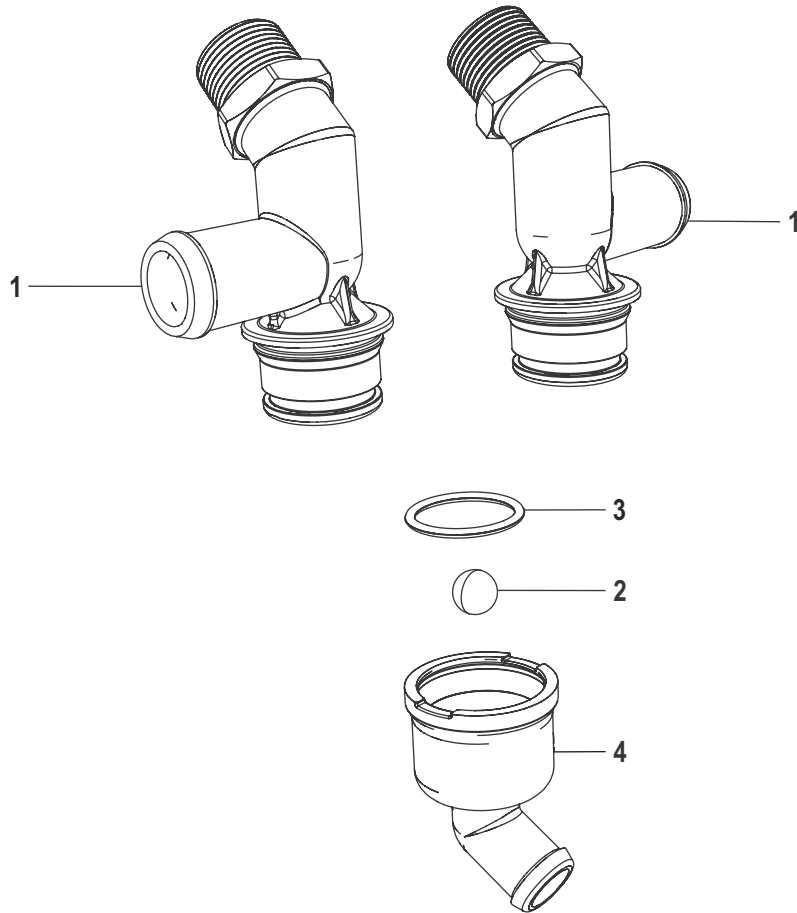
## Exhaust Manifold Elbow and Riser

Ref #	Part Class	Part Number	Description	Comments	Qty	Note
30	0012	29245	WASHER (.281 x .500 x .060) Stainless Steel	[2A041664] & Below	2	
30	0012	4002315	WASHER (6.60 X 12.5 X 1.5 mm - SS)	[2A041665] & Up	1	

**PART NOTES:**

[1] - Component of Engine Gasket Set 8M0045578

# Drain Fitting Assembly



45144

Cat.# 90-8M0050611

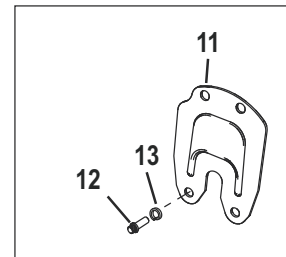
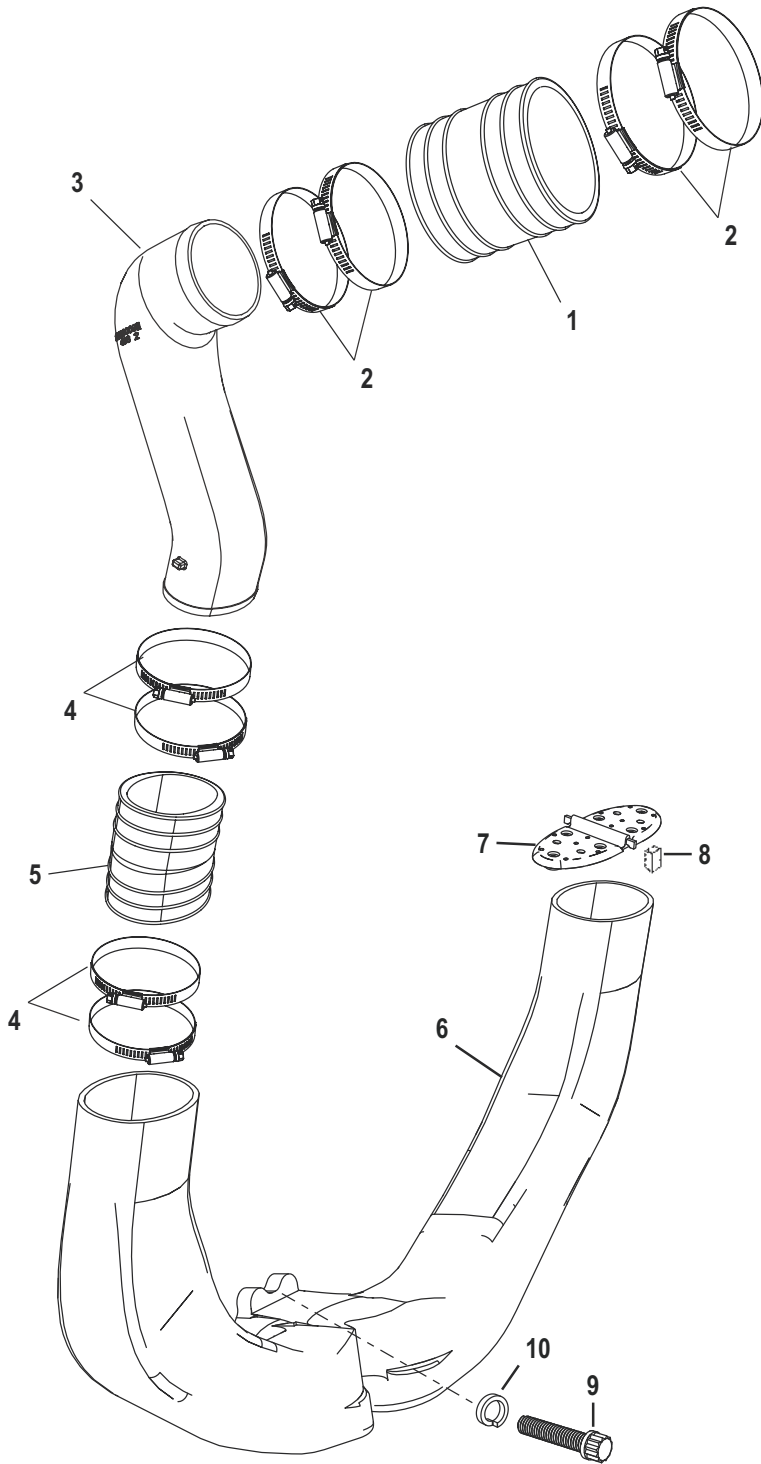
## Drain Fitting Assembly

Ref #	Part Class	Part Number	Description	Comments	Qty	Note
1	0022	865828A02	FITTING ASSEMBLY Drain	Starboard	1	
1	0022	8M0050599	FITTING ASSEMBLY Drain	Port	1	
2	0030	863129	BALL		1	
3	0025	864701	O-RING (1.112 x .103)		1	
5	0000	862994T	FITTING		1	

---

Drain Fitting Assembly

# Exhaust System Components

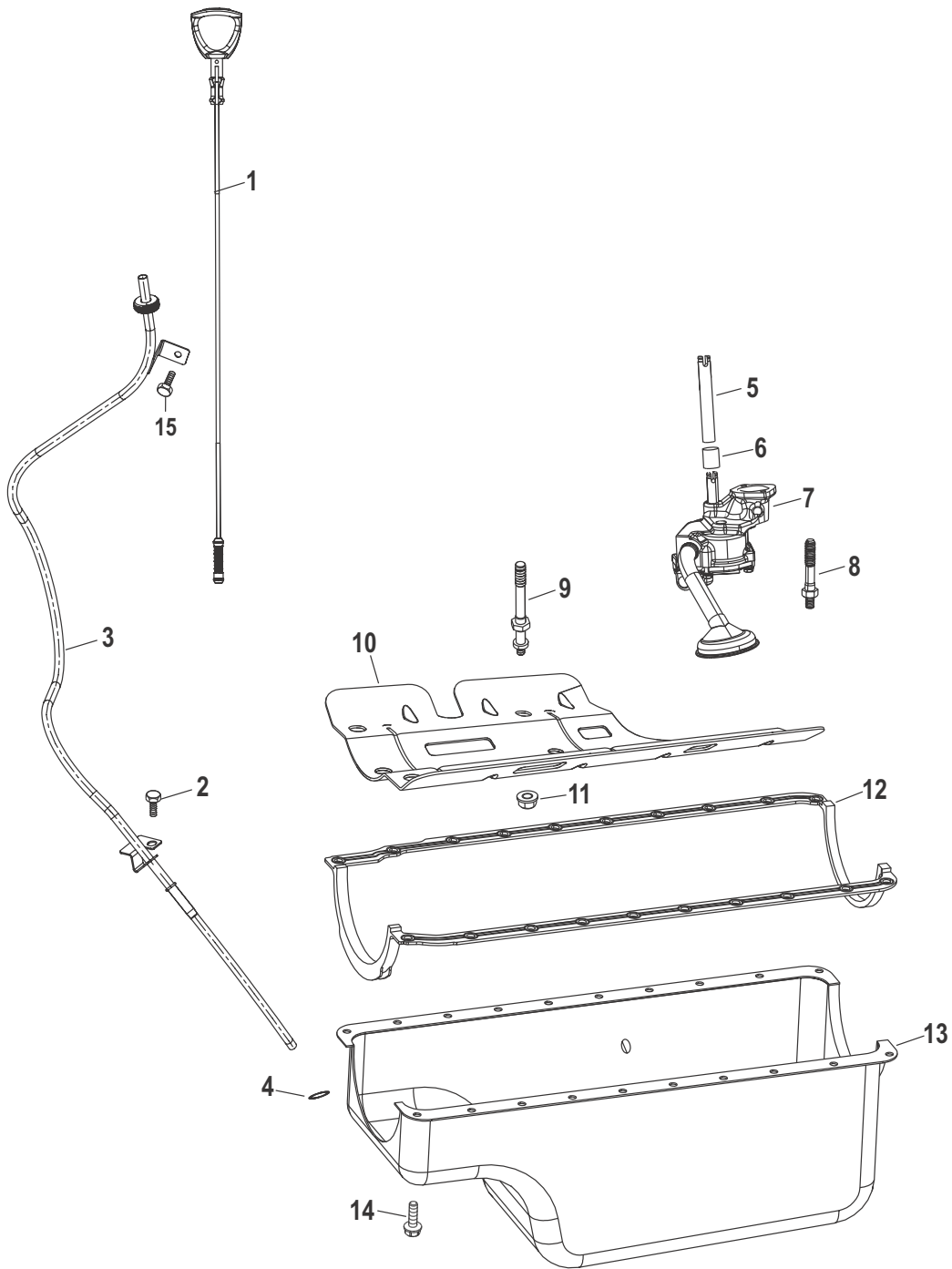


43000

## Exhaust System Components

Ref #	Part Class	Part Number	Description	Comments	Qty	Note
1	0032	44348001	TUBE Exhaust		2	
2	0054	815504272	CLAMP Worm Gear		8	
3	0000	44267A02	ELBOW KIT Intermediate (2 - 8 Inch Riser)		1	
4	0054	815504272	CLAMP Worm Gear		8	
5	0032	14358001	TUBE Exhaust	[2A041664] & Below	2	
5	0032	8M2023884	HOSE 3.75 X 8.00	[2A041665] & Up	2	
6	0000	807130A4	PIPE Exhaust		1	
7	0000	807166A1	SHUTTER ASSEMBLY Water		2	
8	0025	807167	GROMMET		4	
9	0010	58640	SCREW (.375-16 x 1.25)		4	
10	0013	41471	LOCKWASHER (.375)		4	
11	0000	861776A2	PLATE KIT	Through Transome Exhaust	1	
12	0010	98794	SCREW (.375-16 x 1.00)	Through Transom Exhaust	4	
13	0013	41471	LOCKWASHER (.375)	Through Transom Exhaust	4	

# Oil Pan And Oil Pump



42799



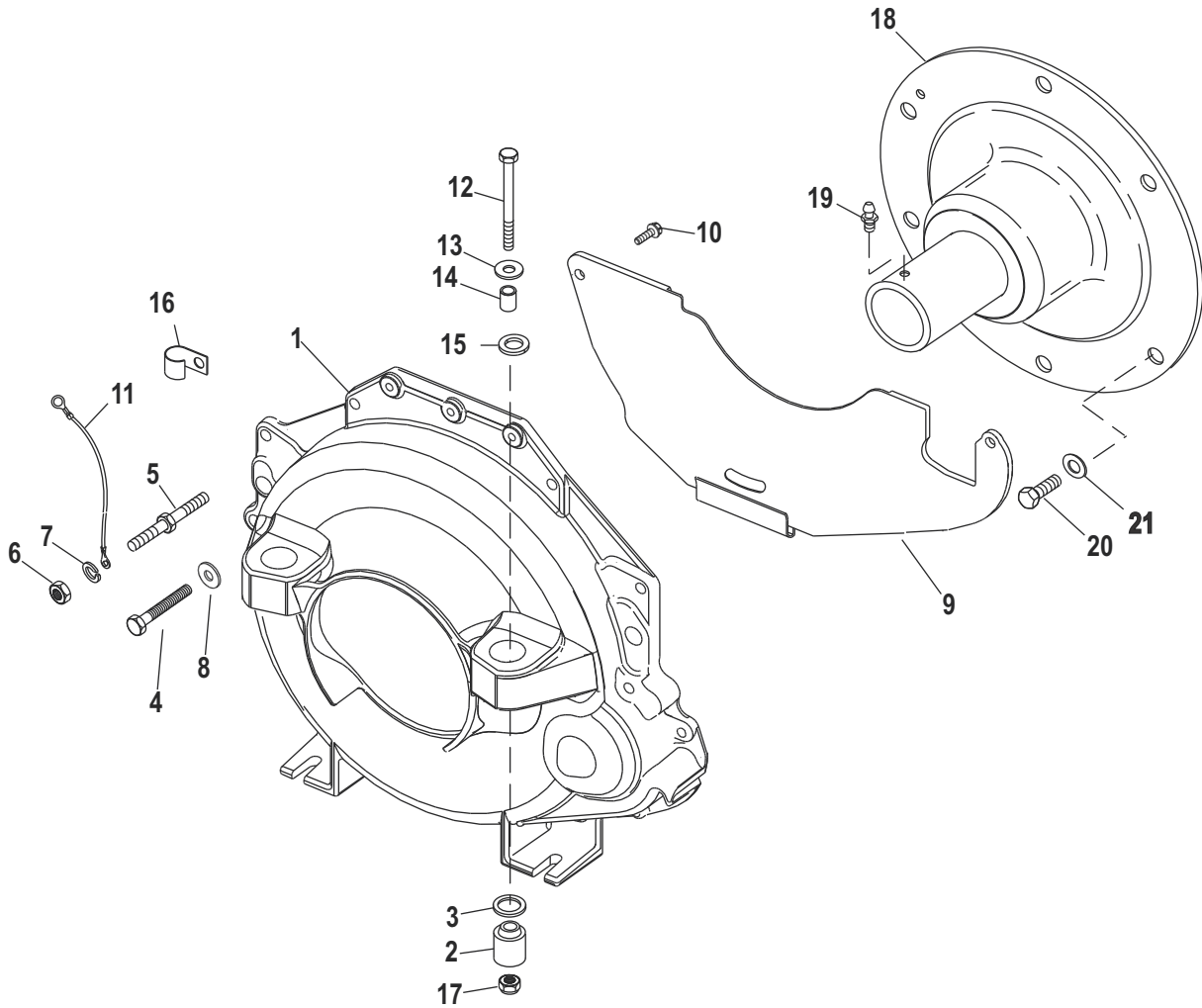
# Oil Pan And Oil Pump

Ref #	Part Class	Part Number	Description	Comments	Qty	Note
1	0000	8M0045293	DIPSTICK Oil Level	[2A041664] & Below	1	
1	0000	8M0070212	DIPSTICK Oil level	[2A041665] & Up	1	
2	0010	98257	SCREW (.312-18 x .500) Dipstick Tube to Block, Bottom		1	
3	0000	8M2018769	TUBE ASSEMBLY Dipstick	[2A041664] & Below	1	
3	0032	8M2021697	TUBE ASSEMBLY Dipstick	[2A041665] & Up	1	
4	0025	62704	O-RING (.362 x .103)		1	[1]
5	0000	14761	SHAFT AND RETAINER		1	[2]
6	0023	36183	RETAINER		1	[2]
7	0000	8M0051418	PUMP ASSEMBLY Oil		1	[2]
8	0016	845599	STUD (.375-16/.438-14 x 3.00)		1	[2]
9	0016	843375	STUD (.375-16/.500-12 x 5.500)		5	[2]
10	0000	843945T	WINDAGE TRAY Oil Deflector		1	[2]
11	0011	845602	NUT (.375-16)		5	[2]
12	0027	845628	GASKET Oil Pan		1	[3]
13	0000	845668T	PAN ASSEMBLY Oil		1	[2]
14	0010	841389	SCREW (.312-18 x .620)		20	[2]
15	0010	88552512	SCREW (M6 x 12 MM) Stainless Steel Dipstick Tube to Coolant Reservoir Bracket		1	

**PART NOTES:**

- [1] - Component of Engine Gasket Set 8M0045578  
Component of Engine Gasket Set 8M0070509
- [2] - Component of Longblock Assembly 8M0045344
- [3] - Component of Engine Gasket Set 8M0045578  
Component of Engine Gasket Set 8M0070509  
Component of Longblock Assembly 8M0045344

# Flywheel Housing

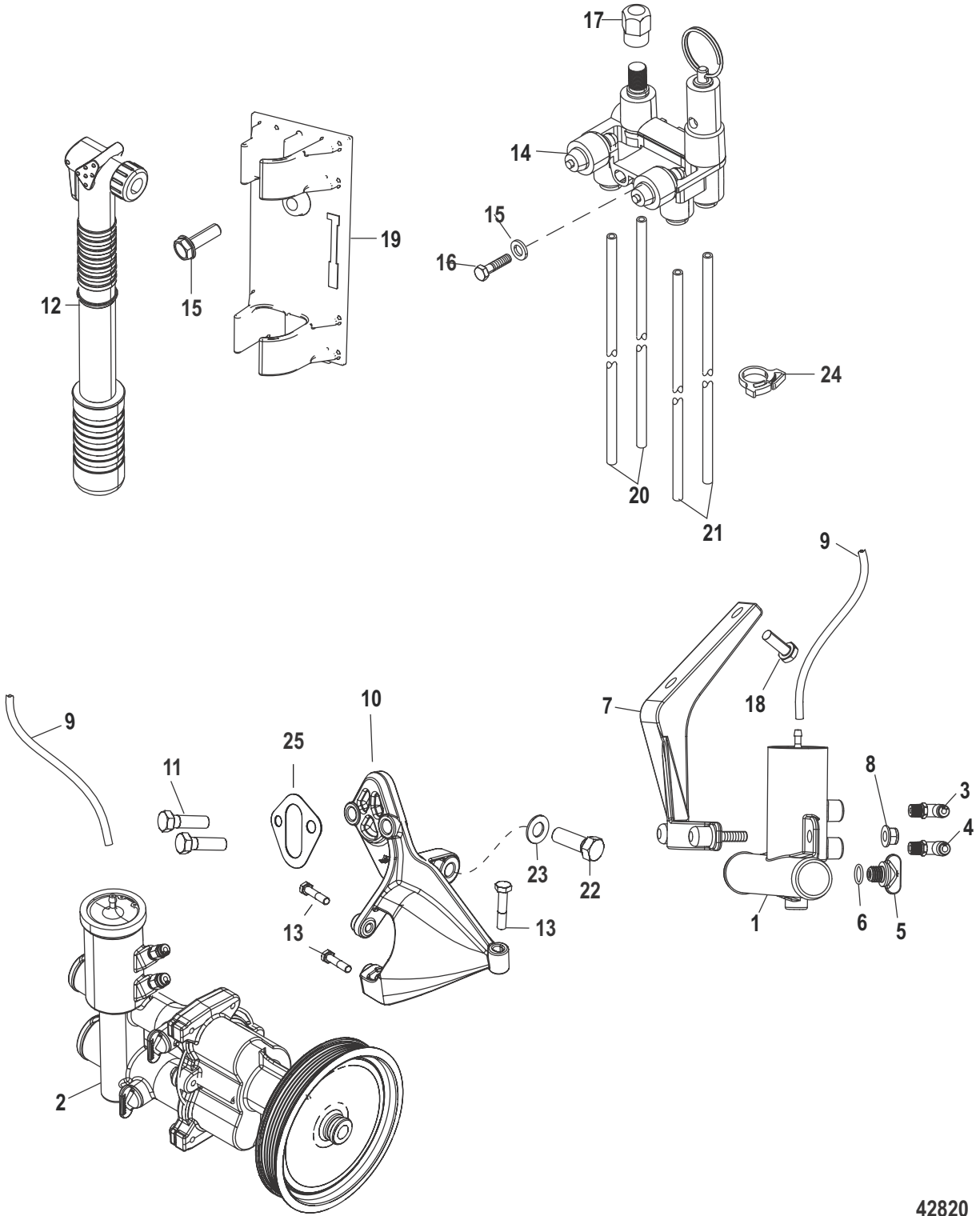


29926

## Flywheel Housing

Ref #	Part Class	Part Number	Description	Comments	Qty	Note
1	0000	865657A04	HOUSING ASSEMBLY Flywheel		1	
2	0000	865330A02	MOUNT KIT Rubber		1	
3	0023	99322	SPACER		2	
4	0010	35047	SCREW (.375-16 x 1.250) Stainless Steel		4	
5	0016	861316	STUD (.375-16 x 2.750) Special		2	
6	0011	82671112	NUT (.375-16)		2	
7	0013	400248	LOCKWASHER (M10)		2	
8	0013	35048	LOCKWASHER (.375)		1	
9	0000	807260A2	COVER KIT Flywheel		1	
NS	0011	807296	NUT (.250-20)		2	
10	0010	86885	SCREW (.250-20 x 1.500) Stainless Steel		2	
11	0084	62826A6	CABLE ASSEMBLY Ground (13.00 Inches) Black		1	
12	0010	97934	SCREW (.500-20 x 5.370) Special		2	
13	0012	35777	WASHER (.5156 x 1.375 x .125) Aluminum		2	
14	0023	99299	SPACER (.520 x .870 x .630)		2	
15	0012	54012	WASHER (.530 x .870 x .105) Stainless Steel		A/R	
16	0054	92850	CLAMP Harness Support		1	
17	0011	863332	NUT (.500-20) Aluminum		2	
18	0000	861523A7	COUPLER ASSEMBLY Engine - Long Steel Hub		1	
19	0022	74036	FITTING Grease		1	
20	0010	863480	SCREW (.375-16 x 1.125)		6	
21	0012	25909	WASHER (.406 x .812 x .065)		6	

# Water Drain System



42820

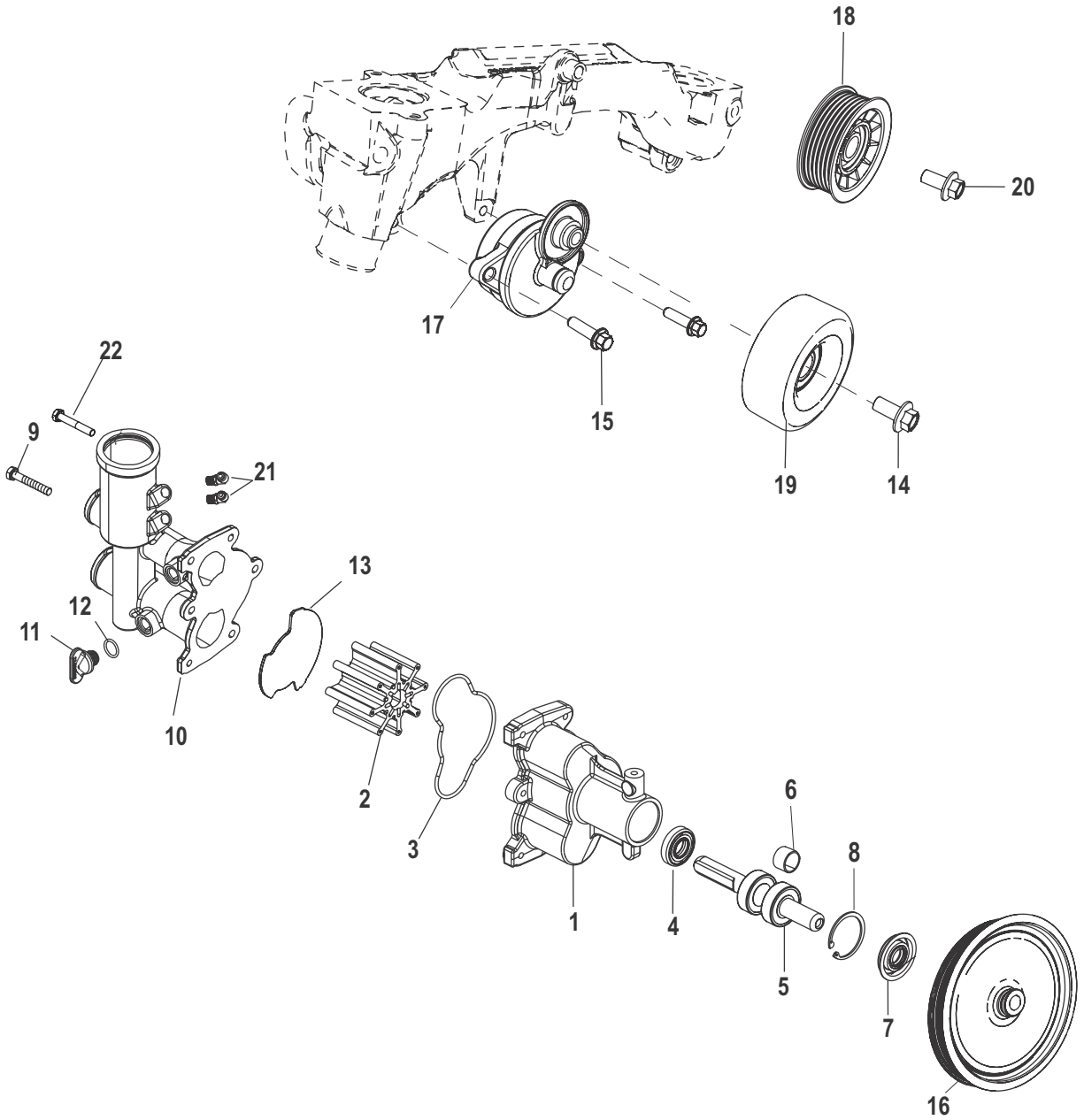
## Water Drain System

Ref #	Part Class	Part Number	Description	Comments	Qty	Note
1	0000	863717A2	ACTUATOR ASSEMBLY Water Drain	Port	1	
2	0046	862914T10	PUMP KIT Sea Water Without Air Fittings	See &quot;Seawater Pump&quot; for Component Break down	1	
2	0046	862914T11	PUMP KIT Sea Water With Air Fittings	See &quot;Seawater Pump&quot; for Component Break down	1	
3	0022	865288	FITTING Gray (90 Degree)		1	
4	0022	865289	FITTING Orange (90 Degree)		1	
5	0022	806608A02	PLUG ASSEMBLY (.500-13) Blue		1	[1]
6	0025	26802	O-RING (.424 x .103)		1	[2]
7	0000	863863T	BRACKET Actuator Mounting	Port	1	
8	0011	826365	NUT (M8) Nylock		2	
9	0032	8630561	HOSE (42.00 Inches Bulk) Black Air		2	
10	0000	8M0045295	BRACKET Seawater Pump		1	
11	0010	865982007	SCREW (.375-16 x 1.25) Hex Flange		2	
12	0000	863057	PUMP Air		1	
13	0010	865152	SCREW (M6)		3	
14	0000	863053T	MANIFOLD ASSEMBLY Air		1	
15	0010	79968	SCREW (#12-11 x .750)		1	
16	0010	82104545	SCREW (M5 x45)		2	
17	0019	8M0046566	CAP Service Point		1	
18	0010	98260	SCREW (.375-16 x .620)		2	
19	0000	8M0046157	BRACKET Air Pump		1	
20	0032	8M0062605	HOSE (40.00 inch Bulk) Green	Starboard Cut to 32 Inches, Port Cut to 22 Inches	2	
21	0032	8M0062601	HOSE (40.00 inch Bulk) Grey	Starboard Cut to 32 Inches, Port Cut to 23 Inches	2	
22	0010	47462	SCREW (.437-14 x 1.250)		1	
23	0012	22248	WASHER (.453 x .875 x .060)		1	
24	0054	415825	CLAMP Nylon		1	
25	0027	34213	GASKET		1	[3]

## PART NOTES:

- [1] - Alternate part numbers:  
806608A02Service Part  
806608Q01QS
- [2] - Component of Engine Gasket Set 8M0045578  
Component of Engine Gasket Set 8M0070509
- [3] - Component of Engine Gasket Set 8M0045578  
Component of Engine Gasket Set 8M0070509  
Component of Longblock Assembly 8M0045344

# Seawater Pump



45188

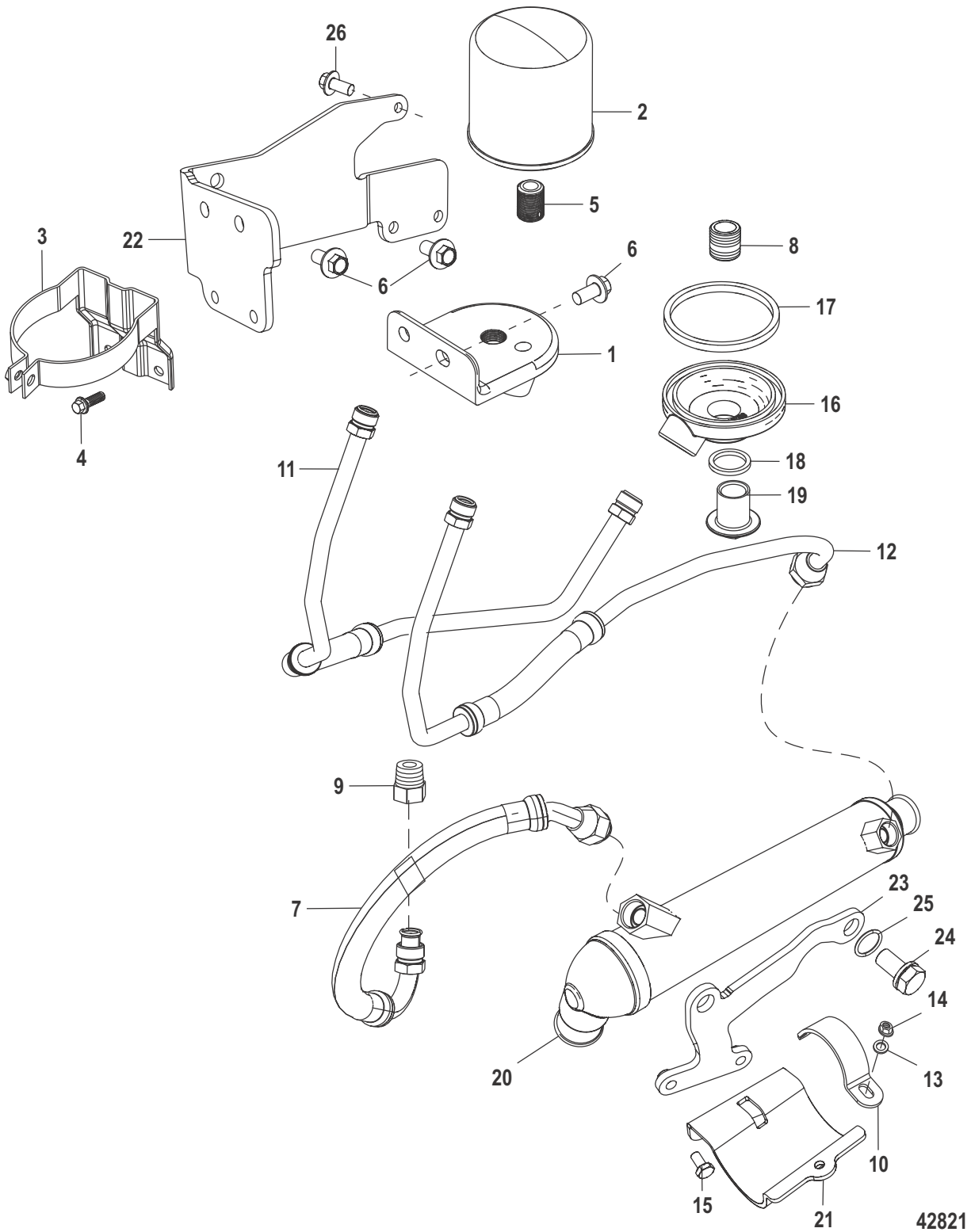
## Seawater Pump

Ref #	Part Class	Part Number	Description	Comments	Qty	Note
-	0046	862914T10	PUMP KIT Sea Water Without Air Fittings		1	
-	0046	862914T11	PUMP KIT Sea Water With Air Fittings		1	
1	0046	862914A13	HOUSING ASSEMBLY Impeller		1	
2	0047	862232A2	IMPELLER		1	
3	0000	8M2021987	O-RING Formed		1	
-	0000	8M0050018	DRIVESHAFT ASSEMBLY KIT		1	
4	0026	8M2001645	SEAL Oil		1	
5	0000	862235A1	DRIVESHAFT ASSEMBLY Impeller		1	
6		NSS	NOT SOLD SEPARATE SPACER		1	
7	0026	862040	SEAL Lip		1	
8		NSS	NOT SOLD SEPARATE SNAP RING		1	
9	0010	4000328	SCREW (M6 x 16)		6	
10	0000	863674A04	COVER KIT Impeller Housing		1	
11	0022	806608A02	PLUG ASSEMBLY (.500-13) Blue		2	[1]
12	0025	26802	O-RING (.424 x .103)		2	[2]
13	0000	8M2014176	PLATE Wear		1	
14	0010	4010820	SCREW (M10 x 20) Hex Flange - Stainless Steel		1	
15	0010	88552630	SCREW (M8 x 30)		2	
16	0000	879172T78	PULLEY		1	
17	0000	865597T	TENSIONER Belt		1	
18	0000	807757T	PULLEY ASSEMBLY Idler - Black		1	
19	0000	865777	PULLEY Idler, Non-Grooved		1	
20	0010	4010820	SCREW (M10 x 20) Hex Flange - Stainless Steel		1	
21	0022	863719	FITTING Orange - Straight		1	
21	0022	863718	FITTING Gray - Straight		1	
22	0010	865152	SCREW (M6)		2	

## PART NOTES:

- [1] - Alternate part numbers:  
806608A02 Service Part  
806608Q01QS
- [2] - Component of Engine Gasket Set 8M0045578  
Component of Engine Gasket Set 8M0070509

# Remote Oil System (2A041664 & below)





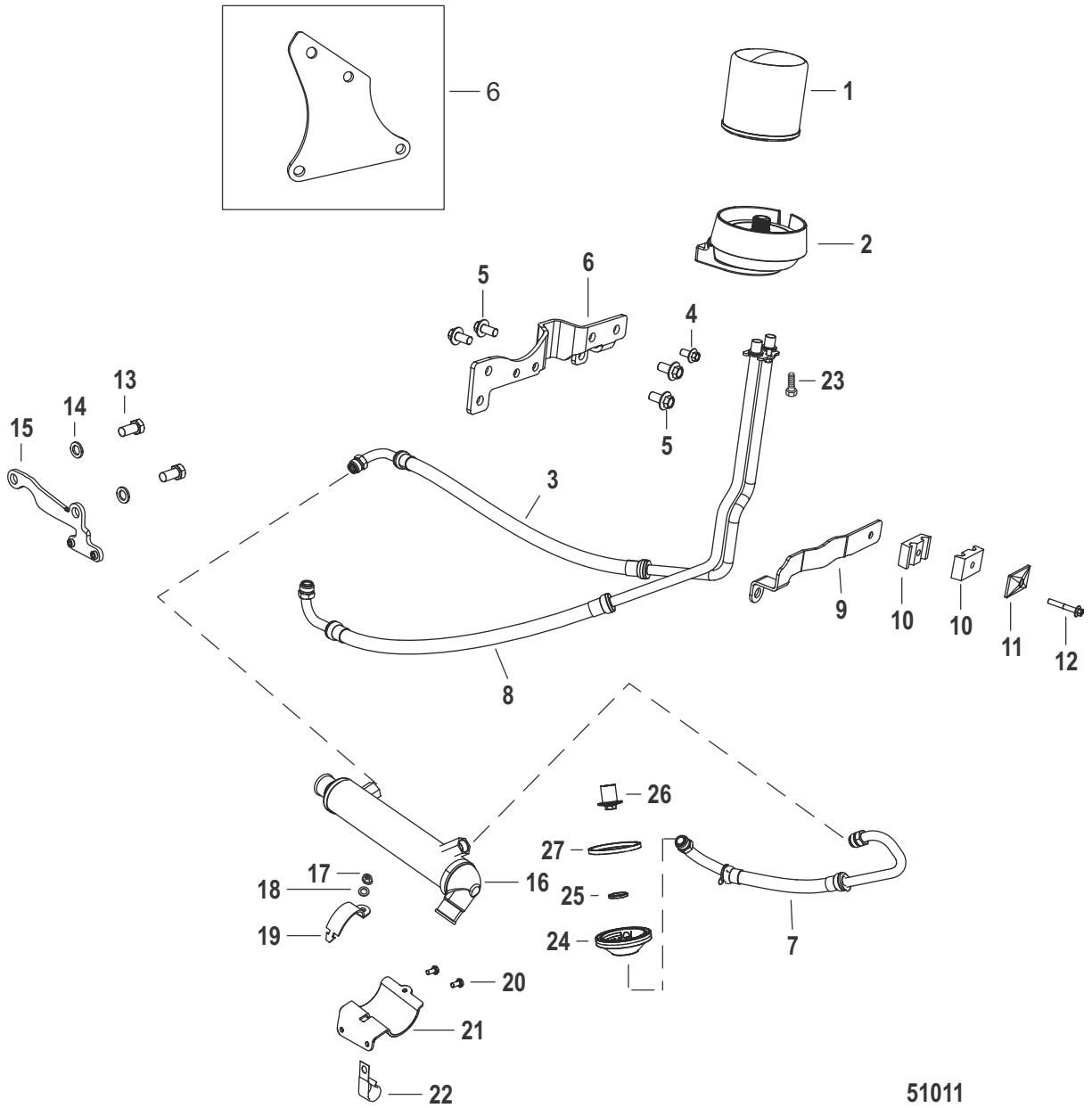
## Remote Oil System (2A041664 &amp; below)

Ref #	Part Class	Part Number	Description	Comments	Qty	Note
1	0000	863732T1	BRACKET Remote Oil Filter		1	
2	0035	866340Q03	FILTER Oil - Quicksilver Brand		1	[1]
2	0035	866340K01	FILTER Oil - Mercury Brand		1	[1]
3	0000	865262A02	BRACKET ASSEMBLY		1	
4	0010	4010716	SCREW (M8 x 16)		2	
5	0022	863485	FITTING		1	
6	0010	4010820	SCREW (M10 x 20) Hex Flange - Stainless Steel		AR	
7	0032	8M2017402	HOSE Oil, Cooler to Adapter		1	
8	0022	805632	CONNECTOR		1	
9	0022	93190	FITTING (.375 NPTF x .50 Inverted Flare)		1	
10	0000	807445T	CLAMP Cooler Bracket		1	
11	0032	8M2017405	LINE Oil, Filter Base to Block		1	
12	0032	8M2017485	LINE Oil, Filter to Cooler		1	
13	0012	35044	WASHER (.281 x .625 x .065) Stainless Steel		1	
14	0011	401366	NUT (M6) Stainless Steel		1	
15	0010	28636	SCREW (.250-20 x .750)		2	
16	0000	862870T	ADAPTER Oil Filter		1	
17	0026	862957	SEAL Oil Filter Adapter		1	[2]
18	0026	42077	SEAL Swivel Tube		1	[2]
19	0022	862958	FITTING Oil Filter Adapter		1	
20	0000	8M0045696	COOLER Oil		1	
21	0000	863905T	BRACKET Oil Cooler		1	
22	0000	8M0045300	BRACKET Remote Oil		1	
23	0000	8M2018755	BRACKET Oil Cooler, Intermediate		1	
24	0010	8M2019251	SCREW (.500-13 x 1.00) Oil Cooler to Block		2	
25	0012	54012	WASHER (.530 x .870 x .105) Stainless Steel		2	
26	0010	4010612	SCREW (M6 x 12) Stainless Steel Remote Oil Bracket to Collector		1	

**PART NOTES:**

- [1] - Alternate part numbers:  
866340K01MPP  
866340Q02Service Part  
866340Q03QS
- [2] - Component of Engine Gasket Set 8M0045578

# Remote Oil System (2A041665 & up)



51011

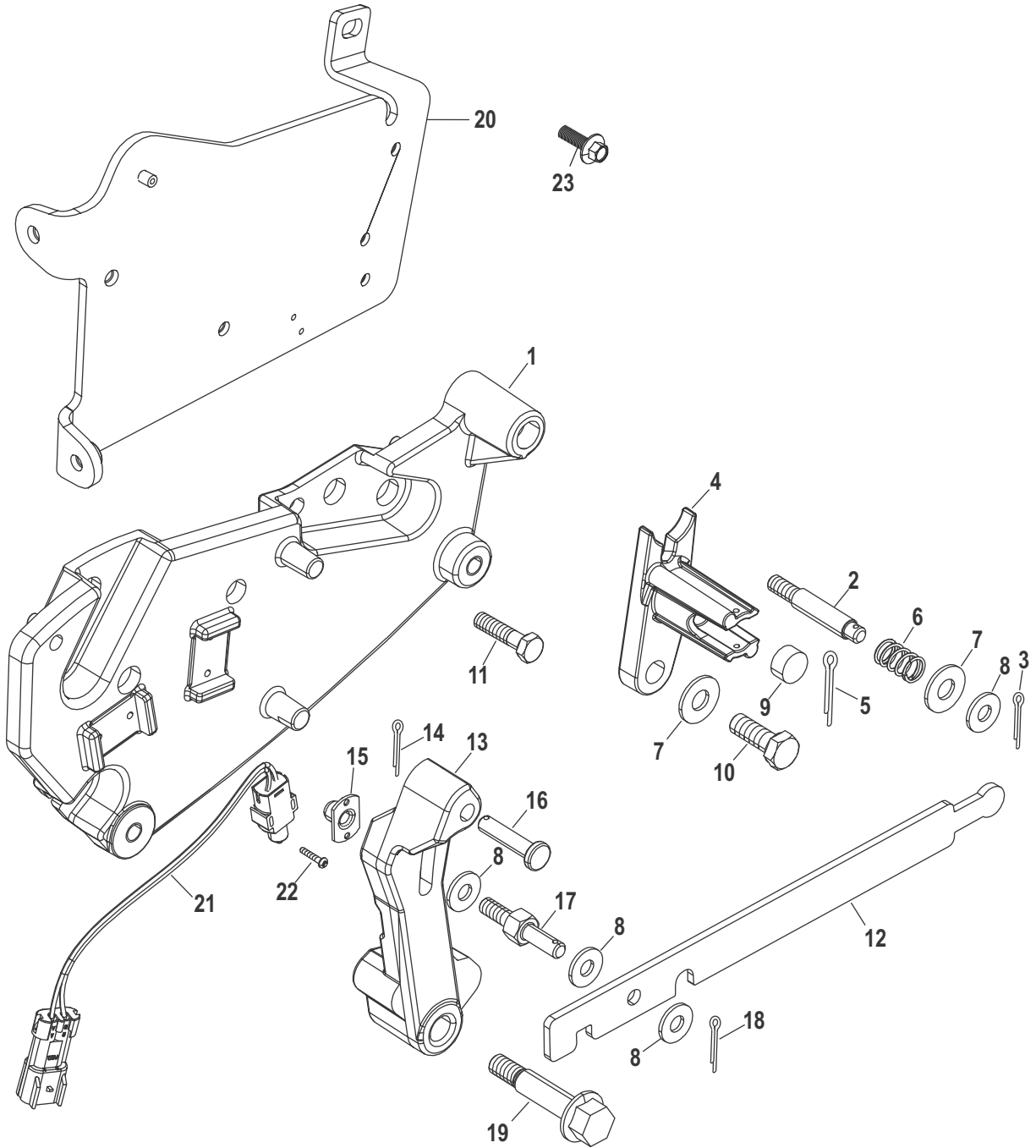
## Remote Oil System (2A041665 &amp; up)

Ref #	Part Class	Part Number	Description	Comments	Qty	Note
1	0035	866340Q03	FILTER Oil - Quicksilver Brand		1	[1]
1	0035	866340K01	FILTER Oil - Mercury Brand		1	[1]
2	0000	8M0070128	HOUSING Remote oil		1	
3	0032	8M2021626	OIL LINE Cooler to filter	MCM/MIE	1	
3	0032	8M2022420	OIL LINE Cooler to filter	V-drive	1	
4	0010	4010716	SCREW (M8 x 16)		1	
5	0010	4010820	SCREW (M10 x 20) Hex Flange - Stainless Steel		4	
6	0000	8M2023670	BRACKET Remote oil	MCM/MIE	1	
6	0000	8M2021921	BRACKET Remote oil	V-drive	1	
7	0032	8M2021679	OIL LINE Block to cooler		1	
8	0032	8M2021625	OIL LINE Filter to block	MCM/MIE	1	
8	0032	8M2022419	OIL LINE Filter to block	V-drive	1	
9	0000	8M0070911	BRACKET Oil line		1	
10	0000	8M2009216	CLAMP		2	
11	0000	8M2009217	PLATE		1	
12	0010	82130040	SCREW (M6 x 40)	MCM	1	
12	0010	82130045	SCREW (M6 x 45)	MIE	1	
13	0010	806677	BOLT		2	
14	0012	54012	WASHER (.530 x .870 x .105) Stainless Steel		2	
15	0000	8M2018755	BRACKET		1	
16	0000	8M0070248	COOLER Oil		1	
17	0011	401376	NUT (M6)		1	
18	0012	35044	WASHER (.281 x .625 x .065) Stainless Steel	MCM	1	
18	0012	828442	WASHER	MIE	1	
19	0000	807445T	CLAMP		1	
20	0010	98253	SCREW (.250-20 x .500)		2	
21	0000	863905T	BRACKET		1	
22	0054	92850	CLAMP		1	
23	0010	4010610	SCREW (M6 x 10) Stainless Steel		2	
24	0000	862870T	ADAPTER		1	
25	0026	42077	SEAL		1	[2]
-	0022	862958A1	FITTING KIT		1	
26	0022	862958	FITTING		1	
27	0026	862957	SEAL		1	[2]
28	0000	8M2000565	O-RING Component of Item 3 and 8		2	

## PART NOTES:

- [1] - Alternate part numbers:  
866340K01MPP  
866340Q02Service Part  
866340Q03QS
- [2] - Component of Engine Gasket Set 8M0070509

# Shift Bracket Mechanical

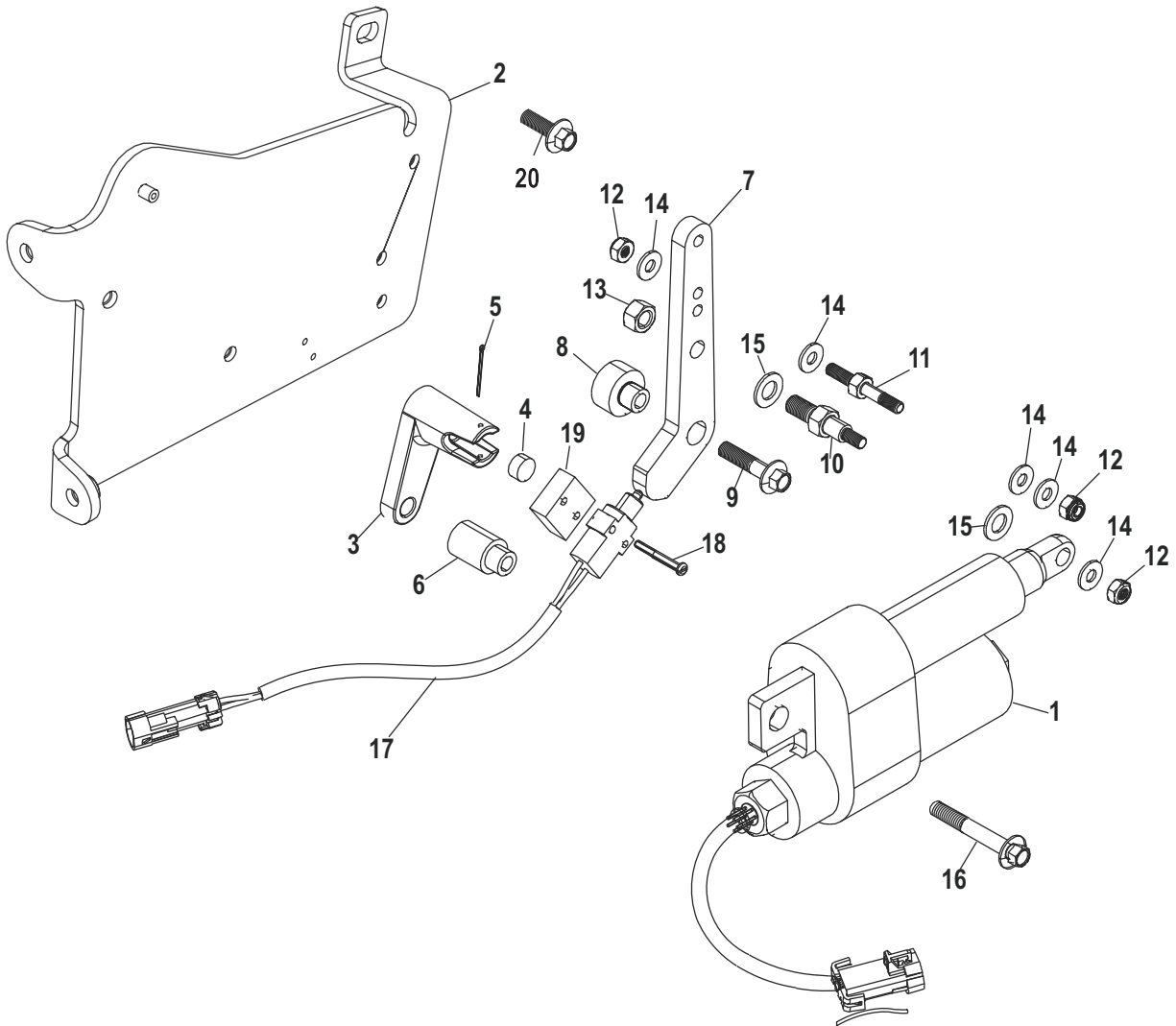


42824

## Shift Bracket Mechanical

Ref #	Part Class	Part Number	Description	Comments	Qty	Note
1	0000	807962A15	BRACKET ASSEMBLY		1	
2	0016	865154A02	STUD KIT (.250-20/.250-28 x 2.120)		1	
3	0018	210711	COTTER PIN		1	
4	0000	865434A02	RETAINER KIT Shift Cable		1	
5	0018	328571	COTTER PIN		1	
6	0024	98880	SPRING		1	
7	0012	56720	WASHER (.330 x .750 x .060) Stainless Steel		2	
8	0012	35462	WASHER (.2656 x .625 x .0625) Stainless Steel		3	
9	0023	98828	SPACER		1	
10	0010	53167	SCREW (.312-18 x .880)		1	
11	0010	4010716	SCREW (M8 x 16)		3	
12	0091	12427T	TOOL Shift Adjust		1	
13	0000	863911A12	LEVER ASSEMBLY		1	
14	0018	210711	COTTER PIN		1	
15	0011	63341	TEE NUT		1	
16	0017	68402	PIN (.250 x 1.13) Clevis		1	
17	0016	865393A02	STUD KIT (.250-28 x 1.90)		1	
18	0018	210711	COTTER PIN		1	
19	0010	865148	SHOULDER SCREW (.312-18 x 1.843) Stainless Steel		1	
20	0000	8M0045249	BRACKET Shift Bracket Mount		1	
21	0087	808009T11	SWITCH ASSEMBLY		1	
22	0010	865147	SCREW (#6-32 x .750) Stainless Steel		2	
23	0010	817505	SCREW (.250-20 x .620) Stainless Steel		3	

# Shift Bracket Digital Throttle and Shift

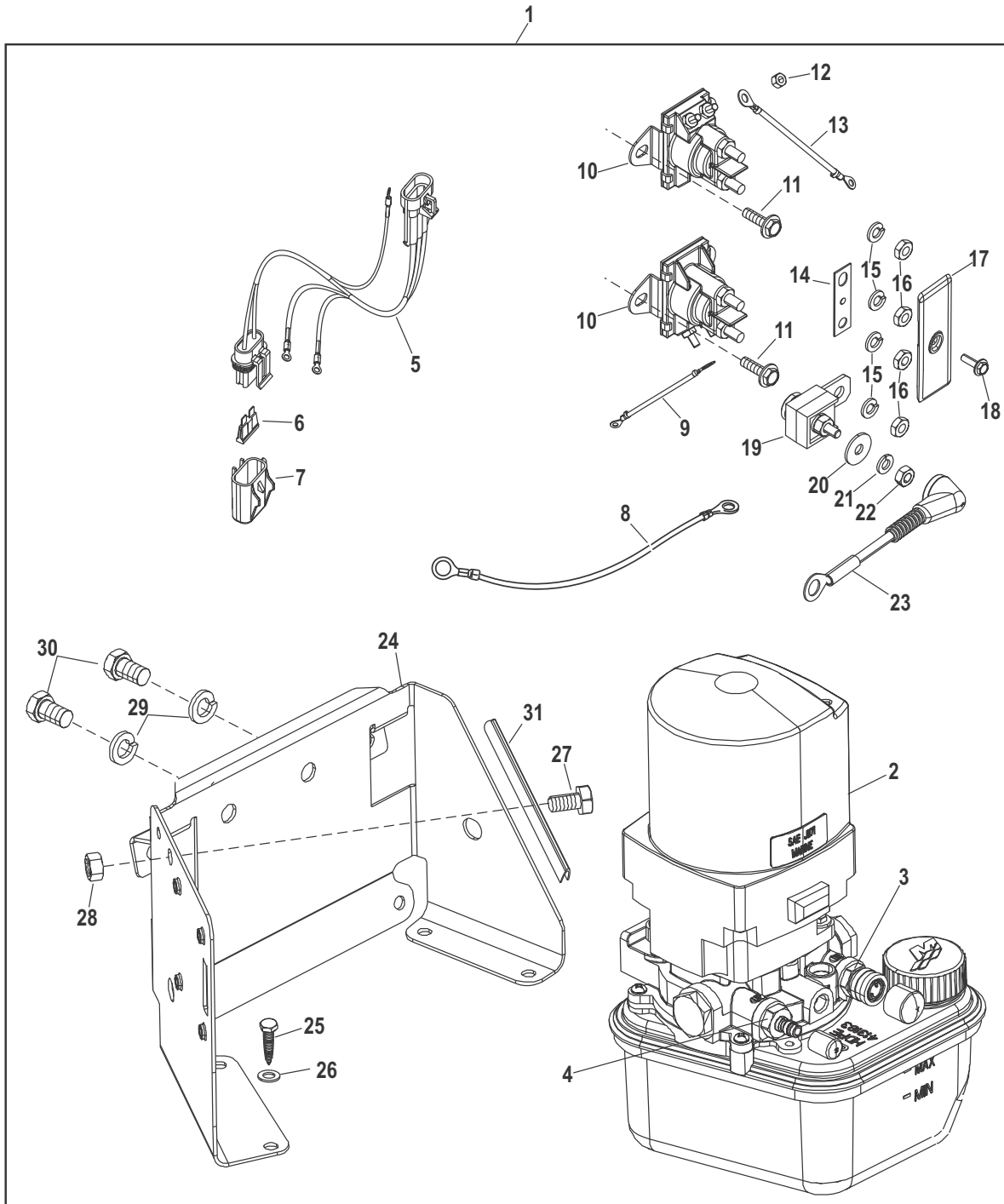


42800

## Shift Bracket Digital Throttle and Shift

Ref #	Part Class	Part Number	Description	Comments	Qty	Note
-	0000	8M0045725	SHIFT ACTUATOR ASSEMBLY Complete		1	
1	0000	879194T46	SHIFT ACTUATOR		1	
2	0000	8M0045249	BRACKET Shift Plate		1	
3	0000	864616	RETAINER Shift Cable		1	
4	0023	98828	SPACER		1	
5	0018	36002	COTTER PIN		1	
6	0023	863133	SPACER Actuator		1	
7	0000	8631341	LEVER Shift Arm		1	
8	0023	863132	SPACER Shift Arm		1	
9	0010	4010735	SCREW (M8 x 35)		1	
10	0016	864361	STUD		1	
11	0016	96112	STUD (.250-28 x 2.00) Throttle Cable Anchor		1	
12	0011	826709109	NUT (.250-28) Stainless Steel		3	
13	0011	46335	NUT (.375-24)		1	
14	0012	35462	WASHER (.2656 x .625 x .0625) Stainless Steel		5	
15	0012	34931	WASHER (.406 x .734 x .063) Stainless Steel		2	
16	0010	40011155	SCREW (M8 x 55) Stainless Steel		1	
17	0087	889514A01	SWITCH		1	
18	0010	865076	SCREW (6-32 x 1.25)		2	
19	0023	864386	SPACER Switch		1	
20	0010	817505	SCREW (.250-20 x .620) Stainless Steel		3	

# Trim Pump Assembly



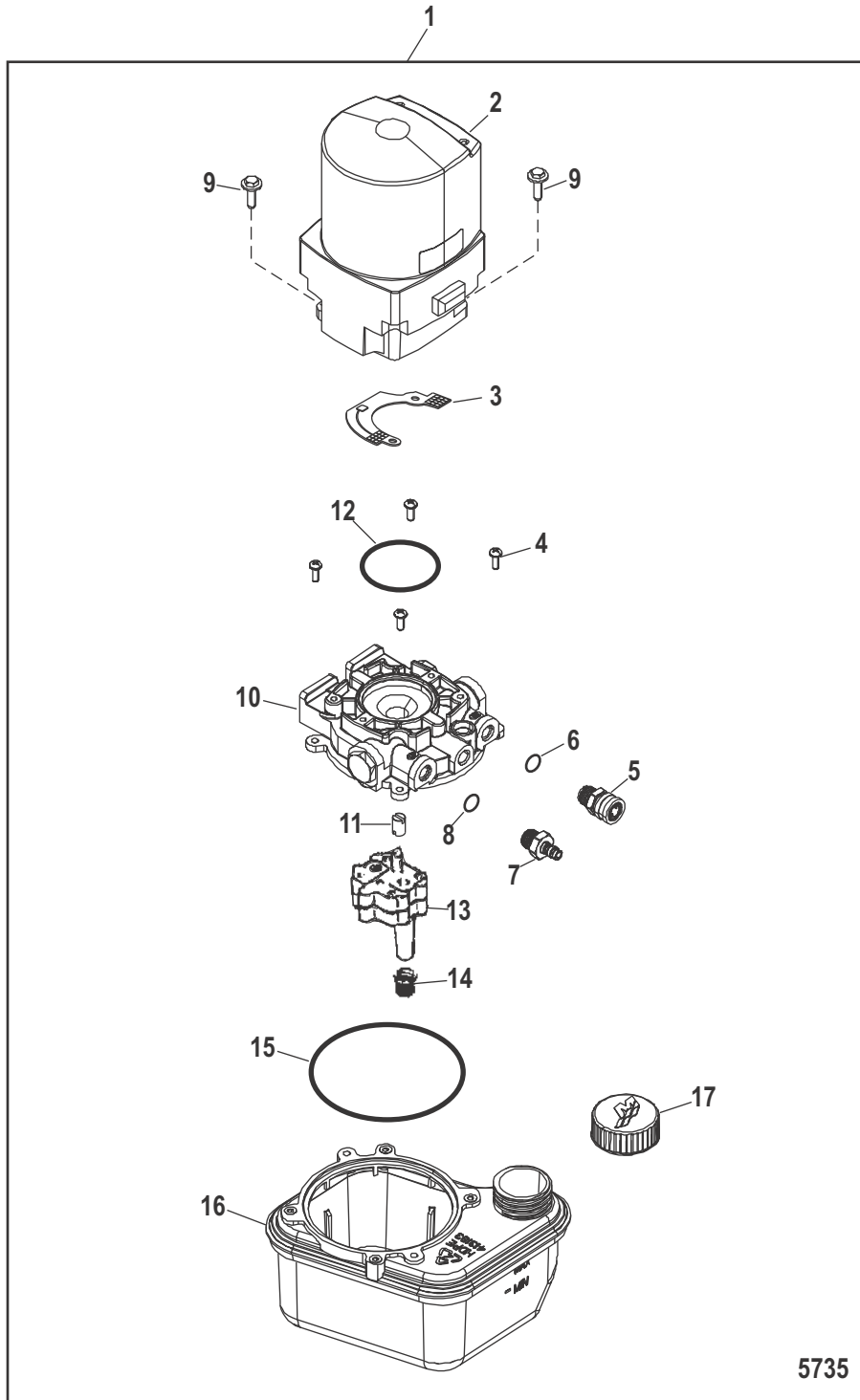
20383



## Trim Pump Assembly

Ref #	Part Class	Part Number	Description	Comments	Qty	Note
1	0000	865380A25	PUMP ASSEMBLY Trim - Complete		1	
2	0000	865380A13	PUMP/MOTOR ASSEMBLY Trim - 12 Volt	- NOTE: See Trim Pump/Motor Assembly Section For Parts Breakdown	1	
3	0022	865413002	FITTING Stainless Steel		1	
4	0022	865412001	FITTING Stainless Steel		1	
5	0084	79147A09	HARNESS ASSEMBLY		1	
6	0088	812619	FUSE Yellow - 20 Ampere		1	
7	0000	828054	COVER Fuse		1	
8	0084	79138A9	CABLE ASSEMBLY (6.00 Feet) Black-Negative		1	
9	0084	86322A15	CABLE ASSEMBLY (5.50 Inches) Black		1	
10	0089	96158T	SOLENOID		2	
11	0010	865655	SCREW (.250-20 x .500)		4	
12	0011	26419	NUT (#8-32) Brass		4	
13	0084	86322A24	CABLE ASSEMBLY (4.00 Inches)		1	
14	0000	94275	LINK Connector		1	
15	0013	26992	LOCKWASHER (.250) Stainless Steel		4	
16	0011	94330	NUT (.250-20) Brass		4	
17	0085	861680	INSULATOR		1	
18	0010	48409	SCREW (#10-16 x .625) Stainless Steel		1	
19	0088	79023T10	FUSE ASSEMBLY 110 Ampere		1	
20	0012	25908	WASHER (.265 x .812 x .0625)		1	
21	0013	26992	LOCKWASHER (.250) Stainless Steel		1	
22	0011	21825	NUT (.250-28)		1	
23	0084	79139A12	CABLE ASSEMBLY Red-Positive		1	
24	0000	862548A1	BRACKET KIT Floor Or Transom Mounted		1	
25	0010	59784	SCREW (.250-10 x 1.00)		4	
26	0012	29245	WASHER (.281 x .500 x .060) Stainless Steel		4	
27	0010	90285	SCREW (.312-18 x .625)		1	
28	0011	68292	NUT (.312-18)		1	
29	0013	35048	LOCKWASHER (.375)		2	
30	0010	98260	SCREW (.375-16 x .620)		2	
31	0000	58491	CHANNEL Rubber (4.00 Inches)		2	

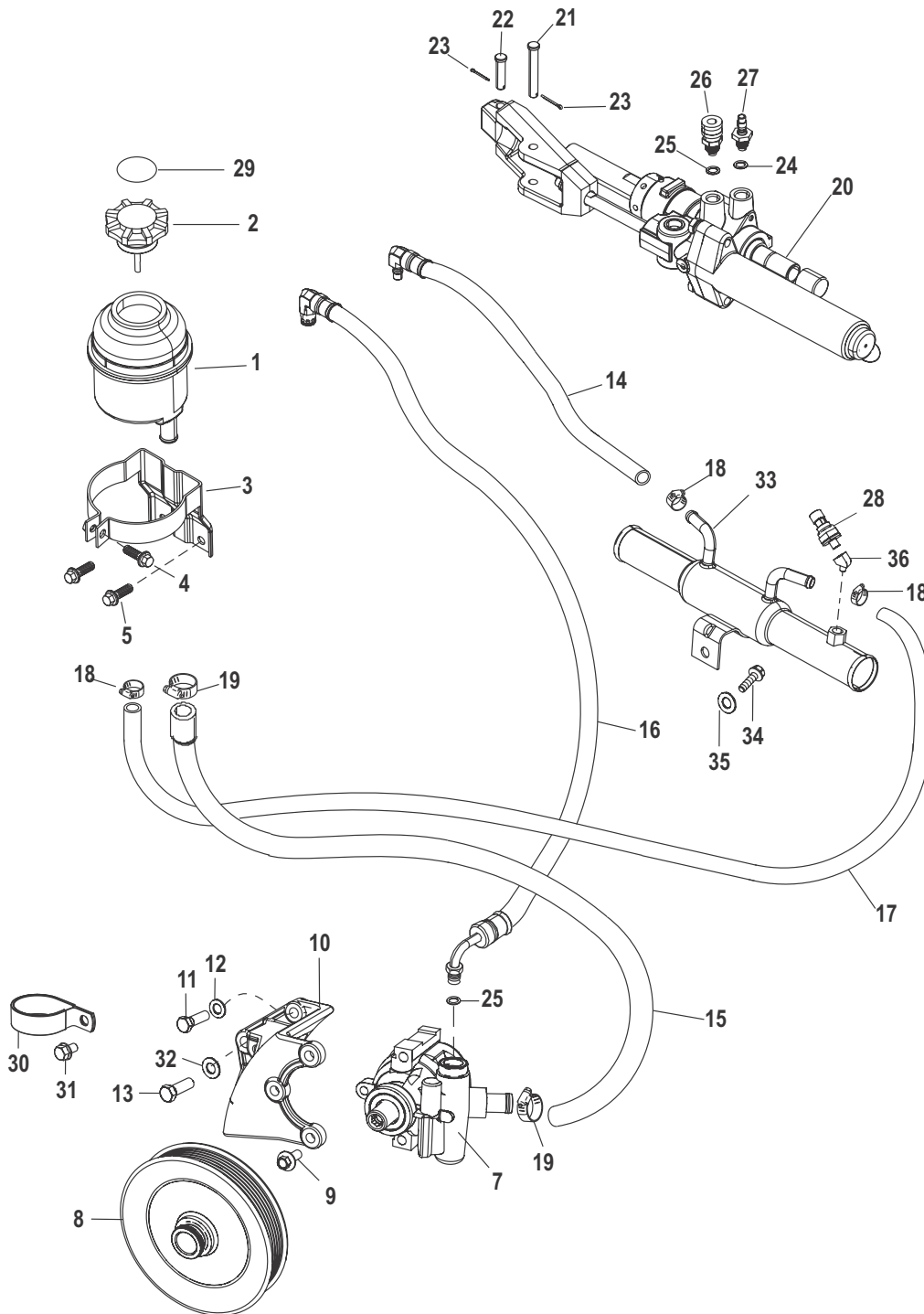
# Trim Pump and Motor Components



## Trim Pump and Motor Components

Ref #	Part Class	Part Number	Description	Comments	Qty	Note
1	0000	865380A13	PUMP/MOTOR ASSEMBLY Trim - 12 Volt		1	
2	0000	891736T	MOTOR ASSEMBLY Complete		1	
3	0000	892608	BOARD ASSEMBLY Circuit - Radio Frequency Interference Filter		1	
4	0010	883167	SCREW (#8-32)		4	
5	0022	865413002	FITTING Stainless Steel Female Quick Connect		1	
6	0025	891868	O-RING		1	
7	0022	865412001	FITTING Stainless Steel Male Quick Connect		1	
8	0025	891868	O-RING		1	
9	0010	823444	SCREW		2	
10	0000	808728T	ADAPTER ASSEMBLY		1	
11	0000	803852	COUPLING		1	
12	0025	89498	O-RING Motor End		1	
13	0000	18529	PUMP ASSEMBLY With Screws		1	
14	0035	89496	FILTER		2	
15	0025	17645	O-RING Reservoir End		1	
16	0000	883166A2	RESERVOIR KIT	With Filters-Reference 14 And O Ring-Reference 15	1	
17	0036	865448A01	CAP Oil Reservoir		OPT	
NS	0000	812498A1	VALVE KIT Relief	Up Pressure	1	
NS	0000	812499A1	VALVE KIT Relief	Down Pressure	1	
NS	0000	95353A1	VALVE KIT Thermal Relief	Thermal	1	
NS	0000	18545A1	REPAIR KIT		1	
NS	0000	891737	BRUSH KIT		1	

# Steering Components

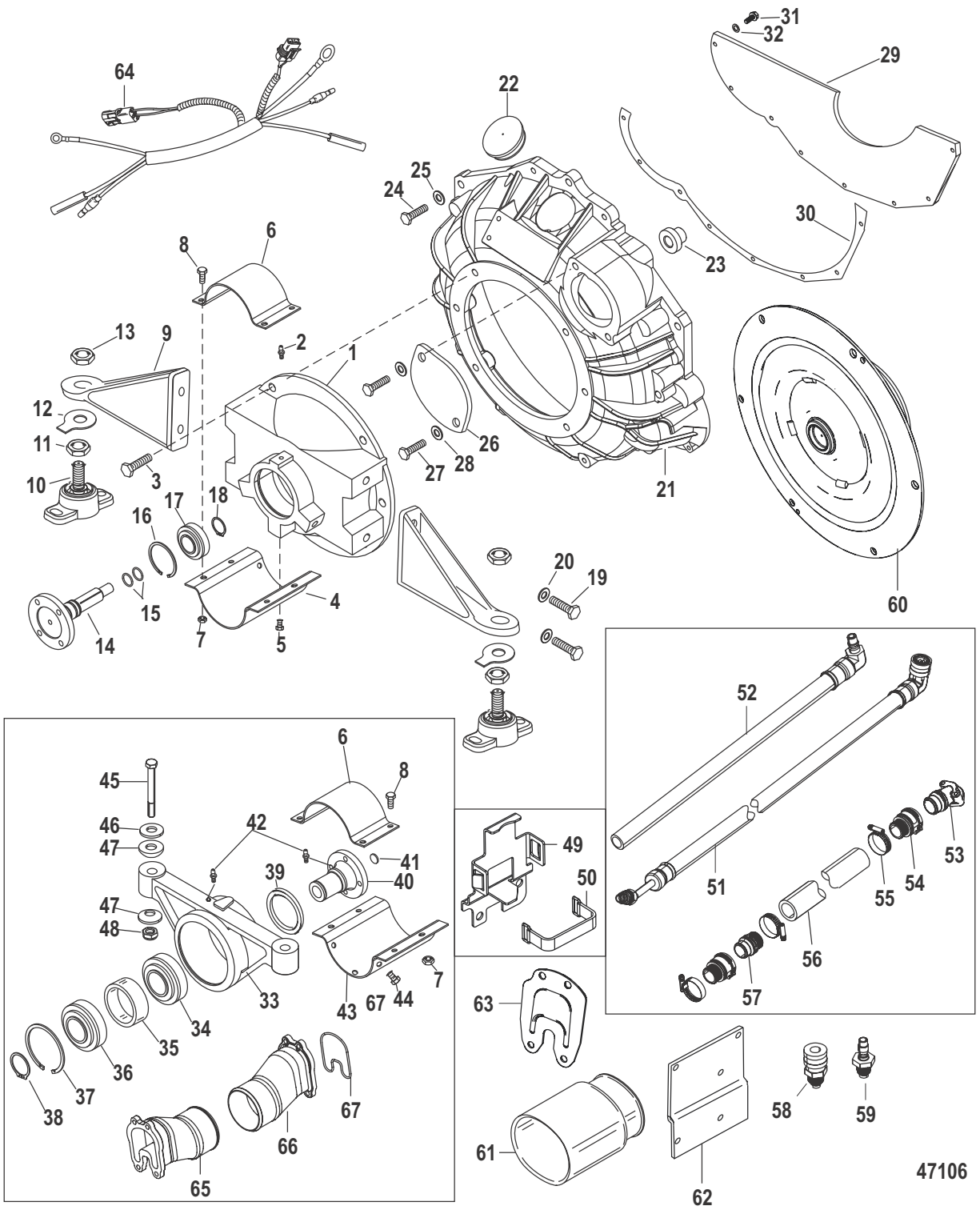


42817

## Steering Components

Ref #	Part Class	Part Number	Description	Comments	Qty	Note
1	0000	8M0046080	RESERVOIR ASSEMBLY Oil, Power Steering		1	
2	0019	865263001	CAP Oil Reservoir - Black		1	
3	0000	865262A02	BRACKET ASSEMBLY		1	
4	0010	82130025	SCREW (M6 x 25)		1	
5	0010	4010716	SCREW (M8 x 16)		2	
7	0000	865710T	PUMP ASSEMBLY .75 Shaft Diameter Power Steering		1	
8	0000	861578	PULLEY Power Steering		1	
9	0010	4010720	SCREW (M8 x 20)		3	
10	0000	8M0045250	BRACKET Power Steering Pump		1	
11	0010	37612	SCREW (.375-16 x 1.250)		1	
12	0012	20553	WASHER (.406 x .734 x .063)		1	
13	0010	47462	SCREW (.437-14 x 1.250)		2	
14	0032	865390015	HOSE Male Quick Connect Cylinder to Cooler		1	
15	0032	8M0046187	HOSE Pump to Reservoir		1	
16	0032	8M0046188	HOSE Pump to Cylinder	[2A041665] & Up	1	
16	0032	866509	HOSE Pressure Pump to Cylinder	[2A041664] & Below	1	
17	0032	865717	HOSE Reservoir to Cooler		1	
18	0054	815504105	CLAMP Worm Gear (11-18 mm) Hose		2	
19	0054	815504210	CLAMP Worm Gear Hose		2	
20	0000	866200A01	CYLINDER ASSEMBLY Power Steering		1	
21	0017	15878	PIN Clevis	Long	1	
22	0017	16419	PIN Clevis	Short	1	
23	0018	46950	COTTER PIN		2	
24	0025	806232	O-RING (.239 x .064)		1	
25	0025	89879	O-RING (.301 x .064)		2	
26	0022	865415	FITTING		1	
27	0022	865414001	FITTING		1	
28	0000	881879010	SENSOR		1	
29	0037	8M2017892	DECAL Power Steering Fluid		1	
30	0054	62494	CLIP		1	
31	0010	8055571	SCREW (.3125-18 x .50)		1	
32	0012	22248	WASHER (.453 x .875 x .060)		2	
33	0000	863820T1	COOLER Power Steering	[2A529700] & Below	1	
33	0000	8M0120252	COOLER	[2A529701] & Up	1	
34	0010	816585	SCREW (.312-18 x .875)		1	
35	0013	72521	LOCKWASHER Internal Tooth		1	
36	0022	29085	FITTING Elbow (45 Degree)	[2A529700] & Below	1	

# Jackshaft Main Kit (98634A20)

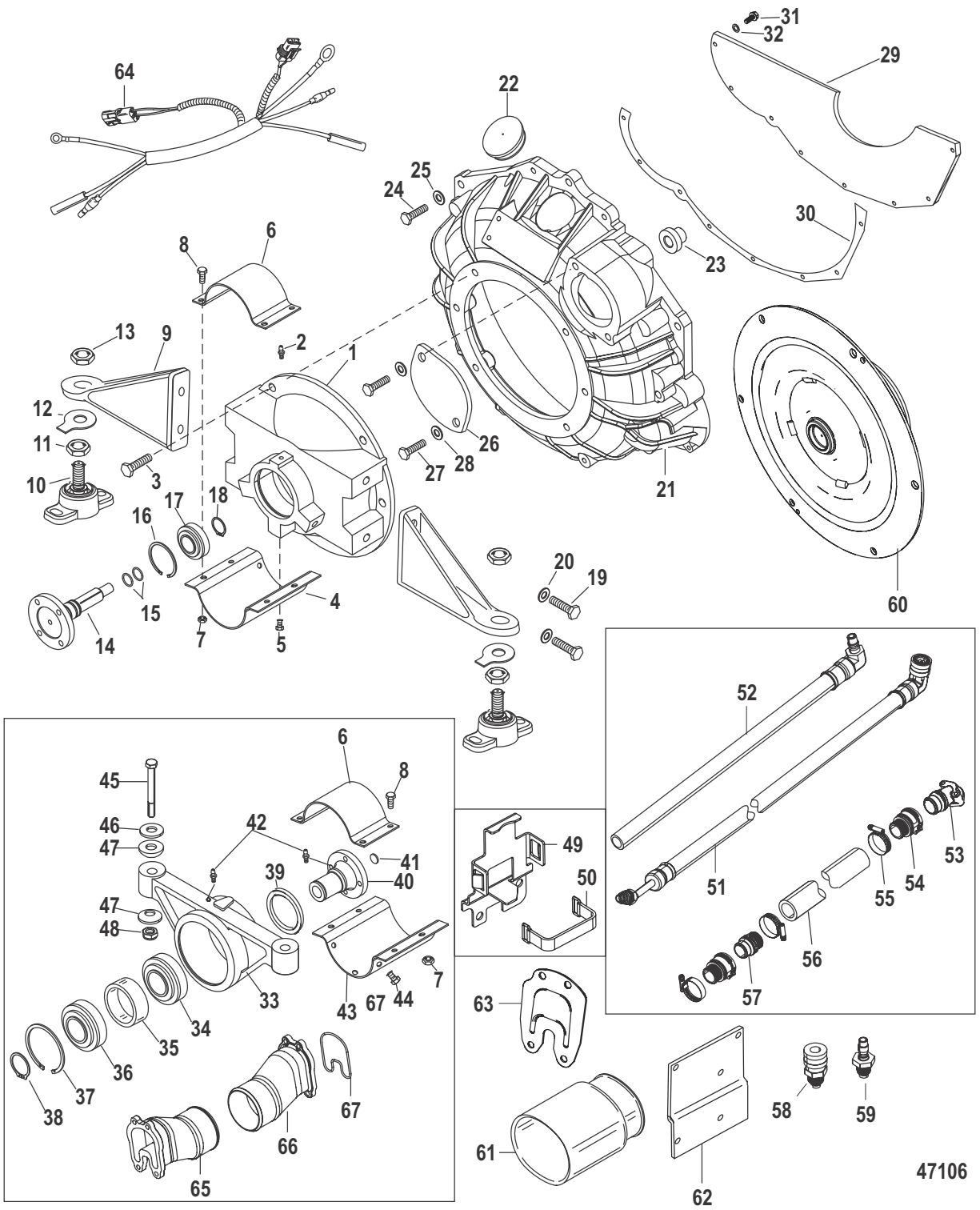


## Jackshaft Main Kit (98634A20)

Ref #	Part Class	Part Number	Description	Comments	Qty	Note
-	0000	98634A20	EXTENSION KIT Jackshaft Kit		1	
1	0000	93911A4	HOUSING ASSEMBLY Shaft Extension Support		1	
2	0022	74036	FITTING Grease	(Use with greased bearing)	1	
2	0010	8M2015913	PLUG (.250-28 x .320)	(Use with non-greased bearing)	1	
3	0010	47651	SCREW (.437-14 x 1.50)		6	
4	0000	93918A1	SHIELD Lower		1	
5	0010	96995	SCREW (.375-16 x .880)		3	
6	0000	93919A1	SHIELD Upper		2	
7	0011	82670912	NUT (.375-16) Stainless Steel		8	
8	0010	96995	SCREW (.375-16 x .880)		8	
9	0000	93923A1	MOUNT ASSEMBLY Flywheel Housing		2	
10	0000	814263A1	BASE ASSEMBLY Mount Assembly		2	
11	0011	816331	NUT (.750-16) Jam		2	
12	0014	12657	TAB WASHER		2	
13	0011	859126	NUT (.750-16)		2	
14	0000	93906A2	SHAFT Output		1	
15	0025	29845	O-RING (.924 x .103)		2	
16	0053	94104	RING Retaining		1	
17	0030	879194A03	GIMBAL BEARING KIT		1	
18	0053	841897T	RING Retaining		1	
19	0010	47651	SCREW (.437-14 x 1.50)		4	
20	0013	32993	LOCKWASHER (.437)		4	
21	0000	814309A1	HOUSING ASSEMBLY		1	
22	0019	12304	PLUG Timing Window		1	
23	0023	49126	BUSHING Pilot	V8	1	
23	0030	863864	BEARING Pilot	496	1	
24	0010	68101	SCREW (.375-16 x 1.375)		1	
24	0010	34353	SCREW (.375-16 x 1.00)		1	
24	0010	47688	SCREW (.375-16 x 2.750)		2	
25	0013	35048	LOCKWASHER (.375)		4	
26	0000	939201	PLATE Cover		1	
27	0010	92913	SCREW (.437-14 x .750)		2	
28	0013	32993	LOCKWASHER (.437)		2	
29	0000	818718A3	COVER KIT Flywheel Inspection		1	
30	0027	86015	GASKET Flywheel Inspection Cover		1	
31	0010	98253	SCREW (.250-20 x .500)		7	
32	0013	26992	LOCKWASHER (.250) Stainless Steel		7	
33	0000	817416A4	HOUSING ASSEMBLY Bearing		1	
34	0030	93944A2	BEARING SET Ball	Includes Part Number 36	1	
35	0023	817417T	SPACER		1	
36	0030	93944A2	BEARING SET Ball	Includes Part Number 34	1	

Jackshaft Main Kit (98634A20)

# Jackshaft Main Kit (98634A20)

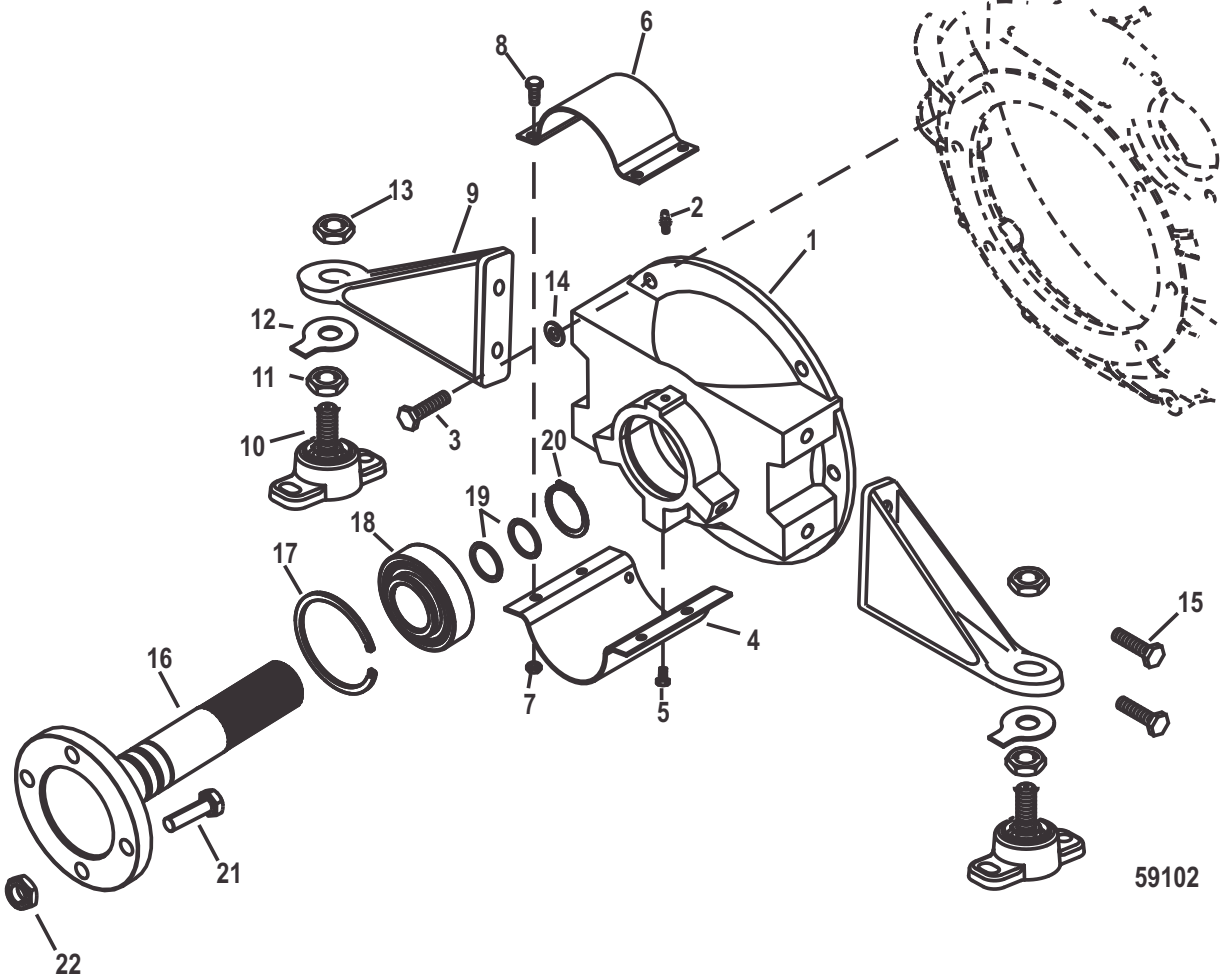




## Jackshaft Main Kit (98634A20)

Ref #	Part Class	Part Number	Description	Comments	Qty	Note
37	0053	93914	RING Retaining		1	
38	0053	93915	RING Retaining		1	
39	0026	93924	SEAL Oil		1	
40		NSS	NOT SOLD SEPARATE Input Shaft		1	
41	0019	93921	EXPANSION PLUG		1	
42	0022	74036	FITTING Grease		2	
43	0000	93918A1	SHIELD Lower		1	
44	0010	76926	SCREW (.375-16 x .875)		3	
45	0010	57053	SCREW (.500-20 x 4.500)		2	
46	0012	35777	WASHER (.5156 x 1.375 x .125) Aluminum		2	
47	0012	42307	WASHER Spherical		4	
48	0011	898832	NUT (.500-20)		2	
49	0000	860065A1	BRACKET KIT		1	
50	0000	808023T	STRAP		1	
51	0032	865389139	HOSE Female Quick Connect (Fittings on Both Ends)		1	
52	0032	865390134	HOSE Male Quick Connect (Fittings on One End)		1	
53	0000	865470	HOUSING Inlet		1	
54	0022	865324	QUICK CONNECT		2	
55	0054	815504222	CLAMP Worm Gear (1.98 Diameter)		3	
56	0032	8M0062666	HOSE (96.00 Inches Bulk)	(Cut to 13 Inches)	1	
57	0022	865362	QUICK CONNECT		1	
58	0022	865415	FITTING PS Return		1	
59	0022	865414001	FITTING PS Pressure		1	
60	0000	861523A18	COUPLER ASSEMBLY Engine - Short Steel Hub		1	
61	0000	78458A1	TUBE		1	
62	0000	41063A1	BRACKET ASSEMBLY		1	
63	0000	861776A2	PLATE KIT		1	
64	0084	41575A10	HARNESS ASSEMBLY	Alpha	1	
64	0084	41575A11	HARNESS ASSEMBLY	Bravo	1	
65	0000	862268T1	TUBE		1	
66	0000	862268T2	TUBE		1	
67	0000	41802	SEAL Rubber		1	

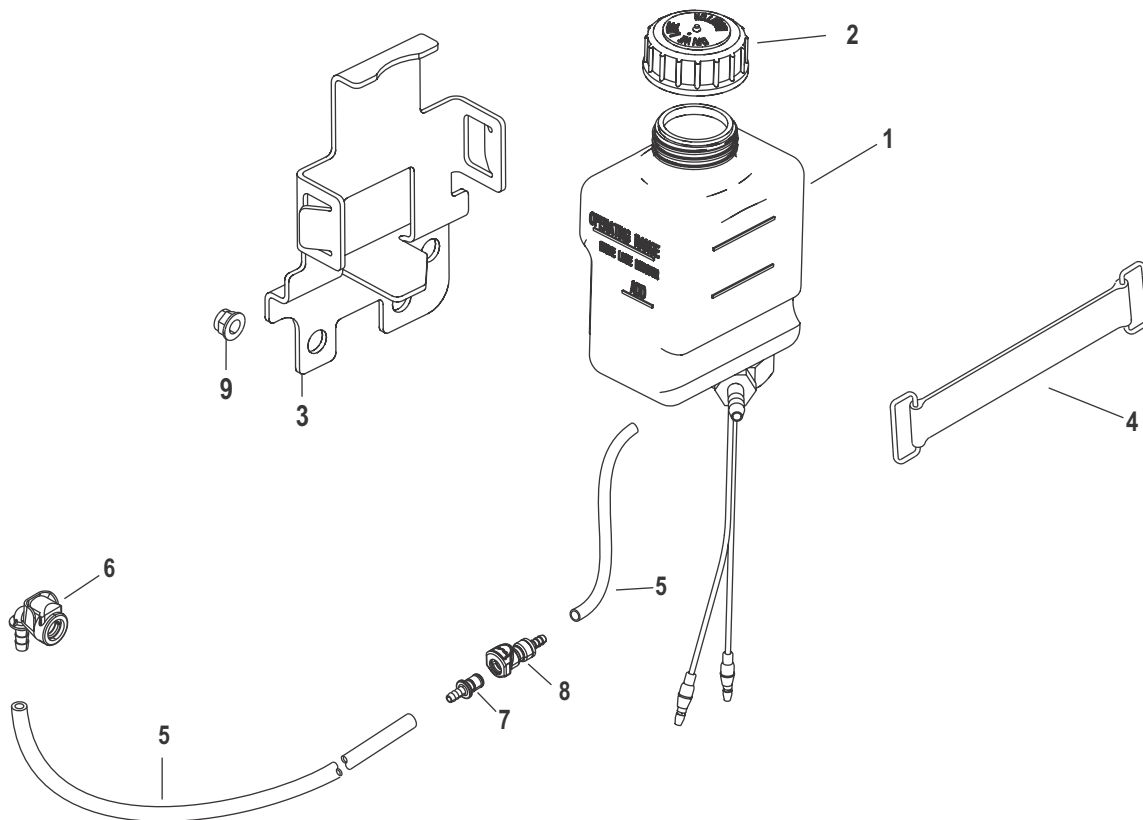
Tailstock Kit



## Tailstock Kit

Ref #	Part Class	Part Number	Description	Comments	Qty	Note
-	0098	8M0106963	TAILSTOCK KIT		1	
1	0000	93911A4	HOUSING ASSEMBLY Shaft Extension Support		1	
2	0022	74036	FITTING Grease	(Use with greased bearing)	1	
2	0010	8M2015913	PLUG (.250-28 x .320)	(Use with non-greased bearing)	1	
3	0010	4000377	SCREW (M10 x 30)		6	
4	0000	93918A1	SHIELD Lower		1	
5	0010	96995	SCREW (.375-16 x .880)		3	
6	0000	93919A1	SHIELD Upper		1	
7	0011	32219	NUT (.375-16)		4	
8	0010	96995	SCREW (.375-16 x .880)		4	
9	0000	93923A1	MOUNT ASSEMBLY Flywheel Housing		2	
10	0000	8M0104773	MOUNT ASSEMBLY		2	
11	0011	20739	NUT (.750-16) Jam		2	
12	0014	12657	TAB WASHER		2	
13	0011	859126	NUT (.750-16)		2	
14	0012	4002319	WASHER		6	
15	0010	47651	SCREW (.437-14 x 1.50)		4	
16		NSS	NOT SOLD SEPARATE Tailstock Shaft		1	
17	0053	94104	RING Retaining		1	
18	0030	879194A03	GIMBAL BEARING KIT		1	
19	0025	29845	O-RING (.924 x .103)		2	
20	0053	841897T	RING Retaining		1	
21	0010	805159	SCREW (.437-20 x 1.500)		1	
22	0011	82670815	NUT (.437-20)		1	

# Drive Lube Reservoir Assembly (2A041664 & below)

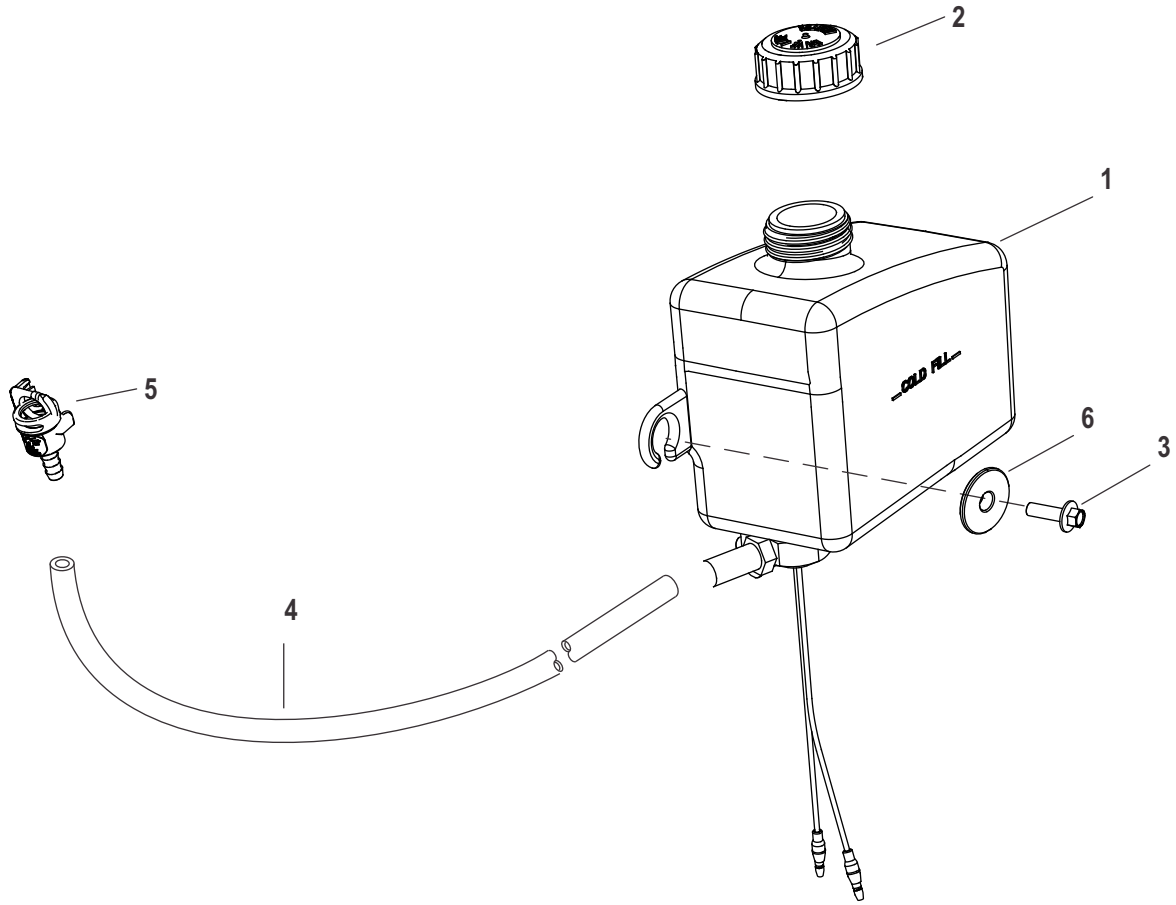


43475

**Drive Lube Reservoir Assembly (2A041664 & below)**

Ref #	Part Class	Part Number	Description	Comments	Qty	Note
1	0000	806193A46	LUBE BOTTLE Drive Lube		1	
2	0036	8067271	CAP Drive Lube Monitor		1	
3	0000	860065A1	BRACKET KIT Oil Bottle, Drive Lube Reservoir		1	
4	0000	808023T	STRAP Bracket		1	
5	0032	1940971	HOSE (54.00 Inches Bulk)		1	
6	0022	861163	QUICK CONNECTOR (90 Degree) To Transom		1	
7	0022	865191	FITTING Male Quick Connect		1	
8	0022	865379	FITTING Female Quick Connect		1	
9	0011	826292	NUT (M10) Brass/Nickel Plated		2	

# Drive Lube Reservoir Assembly (2A041665 & up)



51023

Cat.# 90-8M0050611

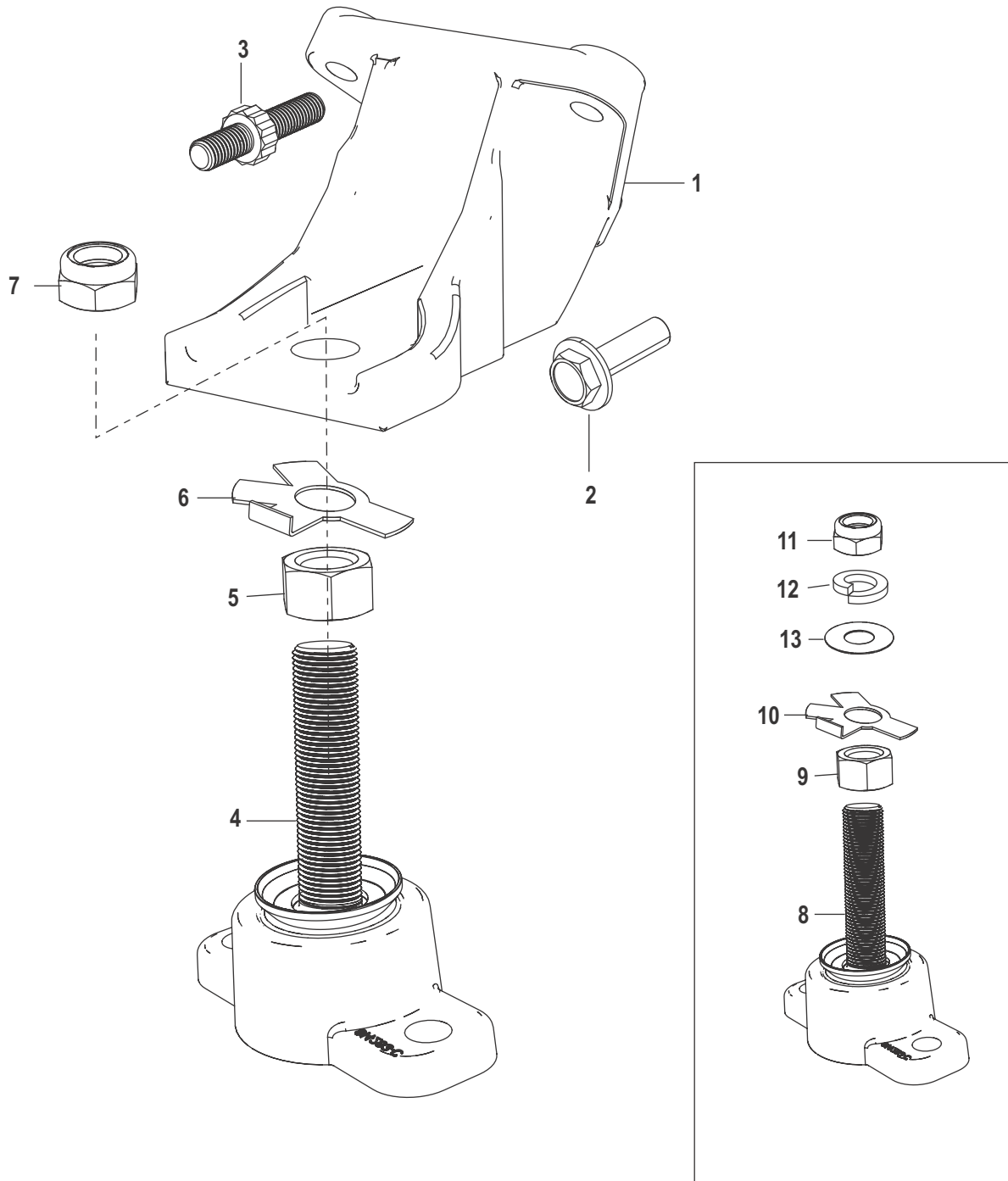
## Drive Lube Reservoir Assembly (2A041665 & up)

Ref #	Part Class	Part Number	Description	Comments	Qty	Note
1	0000	8M0070914	LUBE MONITOR Drive Lube		1	
2	0036	8067271	CAP Drive Lube Monitor		1	
3	0010	88552520	SCREW (M6 x 20 MM) Stainless Steel		2	
4	0032	8M0062600	HOSE 54.00 inch Bulk		1	
5	0022	865379	FITTING Female To Transom		1	
6	0023	8M2022695	SPACER		2	

---

Drive Lube Reservoir Assembly (2A041665 & up)

# Engine Mounts



51443



## Engine Mounts

Ref #	Part Class	Part Number	Description	Comments	Qty	Note
1	0000	79550A1	BRACKET Engine Mounting		2	
2	0010	865982007	SCREW (.375-16 x 1.25) Hex Flange	Port	3	
2	0010	865982007	SCREW (.375-16 x 1.25) Hex Flange	Starboard	1	
3	0016	8M2004610	STUD (3/16-16 x 2.25)	Starboard	2	
4	0000	814263A1	BASE ASSEMBLY		2	
5	0011	816331	NUT (.750-16)		2	
6	0014	12657	TAB WASHER		2	
7	0011	859126	NUT (.750-16) Jam		2	
8	0000	866708T01	BASE ASSEMBLY	(SEACORE)	2	
9	0011	866710	NUT (.750-16) Stainless Steel	(SEACORE)	2	
10	0014	12657	TAB WASHER	(SEACORE)	2	
11	0011	18304	NUT Jam	(SEACORE)	2	
12	0013	33164	LOCKWASHER Stainless (.750)	(SEACORE)	2	
13	0012	44164	WASHER	(SEACORE)	2	

Gasket Set Overhaul (2A041664 & below)

## Gasket Set Overhaul (2A041664 &amp; below)

Ref #	Part Class	Part Number	Description	Comments	Qty	Note
-	0027	8M0045578	GASKET SET Overhaul Overhaul		1	
-	0025	896699	O-RING (1.78 mm x .08 mm) Sensor Assembly		3	
-	0027	34213	GASKET Block Off Plate		1	
-	0000	845941	RETAINER Gear Thrust		1	
-	0027	811588	GASKET Rocker Cover		2	
-	0027	811546A04	GASKET KIT Cylinder Head		2	
-	0017	843931	PIN Dowel Cylinder Head Gasket Locator		4	
-	0026	842755	SEAL Valve Intake & Exhaust		16	
-	0026	811554	SEAL Oil, Flywheel		1	
-	0025	69756	O-RING (.549 x .103) Number 5 Bearing Cap Oil Hole		1	
-	0027	49110	GASKET Circulating Water Pump Mount		2	
-	0026	8219471	SEAL Oil, Front Cover Assembly		1	
-	0027	850456	GASKET Front Cover Mount		1	
-	0025	20295	QUAD RING 1.725 x .210 Crossover to Heat Exchanger		2	
-	0025	8071341	SEAL Thermostat		1	
-	0025	30529	O-RING (1.925 x .103) Crossover		2	
-	0027	891716	GASKET Heat Exchanger		1	
-	0025	8M0039163	O-RING (3/8 x 1/8) Heat Exchanger		1	
-	0000	8M0044310	SEAL Intake Manifold		4	
-	0025	841807	O-RING (3.500 x .103) Throttle Body		1	
-	0025	811553	GROMMET Intake Manifold & Cover Assembly		3	
-	0027	805403A1	GASKET SET Intake Manifold		1	
-	0027	8M2003931	GASKET Elbow to Exhaust Manifold		2	
-	0027	8M2018049	GASKET Cylinder Head to Exhaust Manifold		2	
-	0027	866390	GASKET Collector to Exhaust Manifold		2	
-	0025	62704	O-RING (.362 x .103) Dipstick Tube		1	
-	0027	845628	GASKET Oil Pan		1	
-	0025	26802	O-RING (.424 x .103) Plug Assembly		3	
-	0026	862957	SEAL Oil Filter Adaptor		1	
-	0026	42077	SEAL Swivel Tube		1	

Gasket Set Overhaul (2A041664 &amp; below)

Gasket Set Overhaul (2A041665 & up)

## Gasket Set Overhaul (2A041665 &amp; up)

Ref #	Part Class	Part Number	Description	Comments	Qty	Note
-	0027	8M0070509	GASKET SET Overhaul		1	
-	0025	896699	O-RING (1.78 mm x .08 mm) Sensor Assembly		3	
-	0027	34213	GASKET Block Off Plate		1	
-	0000	845941	RETAINER Gear Thrust		1	
-	0027	811588	GASKET Rocker Cover		2	
-	0027	811546A04	GASKET KIT Cylinder Head		2	
-	0017	843931	PIN Dowel Cylinder Head Gasket Locator		4	
-	0026	842755	SEAL Valve Intake & Exhaust		16	
-	0026	811554	SEAL Oil, Flywheel		1	
-	0025	69756	O-RING (.549 x .103) Number 5 Bearing Cap Oil Hole		1	
-	0027	49110	GASKET Circulating Water Pump Mount		2	
-	0026	8219471	SEAL Oil, Front Cover Assembly		1	
-	0027	850456	GASKET Front Cover Mount		1	
-	0025	20295	QUAD RING 1.725 x .210 Crossover to Heat Exchanger		2	
-	0025	8071341	SEAL Thermostat		1	
-	0025	30529	O-RING (1.925 x .103) Crossover		2	
-	0027	891716	GASKET Heat Exchanger		1	
-	0025	8M0039163	O-RING (3/8 x 1/8) Heat Exchanger		1	
-	0000	8M0044310	SEAL Intake Manifold		4	
-	0025	841807	O-RING (3.500 x .103) Throttle Body		1	
-	0025	811553	GROMMET Intake Manifold & Cover Assembly		3	
-	0027	805403A1	GASKET SET Intake Manifold		1	
-	0027	8M0054712	GASKET Elbow to Exhaust Manifold		2	
-	0027	8M0065690	GASKET Cylinder Head to Exhaust Manifold		2	
-	0025	62704	O-RING (.362 x .103) Dipstick Tube		1	
-	0027	845628	GASKET Oil Pan		1	
-	0025	26802	O-RING (.424 x .103) Plug Assembly		3	
-	0026	862957	SEAL Oil Filter Adaptor		1	
-	0026	42077	SEAL Swivel Tube		1	

Gasket Set Overhaul (2A041665 &amp; up)

# PARTS INDEX

Part No.	Description	Pg.	Ref.no	Part No.	Description	Pg.	Ref.no
11178A01	BREAKER Circuit - 50 Ampere Button Reset	18	13	11303	WASHER	54	6
12038	WASHER	62	12	12304	PLUG Timing Window	92	22
12427T	TOOL Shift Adjust	82	12	12524	PLUG (.375-18 x .475) Brass	62	2
12657	TAB WASHER	92	12	12657	TAB WASHER	96	12
12657	TAB WASHER	102	6	12657	TAB WASHER	102	10
14358001	TUBE Exhaust	68	5	14761	SHAFT AND RETAINER	70	5
15878	PIN Clevis	90	21	1589431	TUBING (20.00 Inches Bulk) Cut 2 Pieces - 8.5 Inches	24	14
1589431	TUBING (20.00 Inches Bulk) Cut As Required	24	16	16419	PIN Clevis	90	22
17645	O-RING Reservoir End	88	15	18304	NUT Jam	102	11
18529	PUMP ASSEMBLY With Screws	88	13	18545A1	REPAIR KIT	88	NS
1940971	HOSE (54.00 Inches Bulk)	98	5	20295	QUAD RING 1.725 x .210 (1.725 x .210)	32	24
20295	QUAD RING 1.725 x .210	36	35	20295	QUAD RING 1.725 x .210 Crossover to Heat Exchanger	104	-
20295	QUAD RING 1.725 x .210 Crossover to Heat Exchanger	106	-	20553	WASHER (.406 x .734 x .063)	90	12
20739	NUT (.750-16) Jam	96	11	210711	COTTER PIN	82	3
210711	COTTER PIN	82	14	210711	COTTER PIN	82	18
21825	NUT (.250-28)	86	22	22248	WASHER (.453 x .875 x .060)	18	16
22248	WASHER (.453 x .875 x .060)	74	23	22248	WASHER (.453 x .875 x .060)	90	32
25908	WASHER (.265 x .812 x .0625)	86	20	25909	WASHER (.406 x .812 x .065)	72	21
26419	NUT (#8-32) Brass	86	12	26802	O-RING (.424 x .103)	74	6
26802	O-RING (.424 x .103)	76	12	26802	O-RING (.424 x .103) Plug Assembly	104	-
26802	O-RING (.424 x .103) Plug Assembly	106	-	26992	LOCKWASHER (.250) Stainless Steel	86	15
26992	LOCKWASHER (.250) Stainless Steel	86	21	26992	LOCKWASHER (.250) Stainless Steel	92	32
26996	LOCKWASHER (#10) Stainless Steel	8	6	27025	WASHER	34	39
27025	WASHER	36	6	28636	SCREW (.250-20 x .750)	78	15
29085	FITTING Elbow (45 Degree)	20	14	29085	FITTING Elbow (45 Degree)	90	36
29245	WASHER (.281 x .500 x .060) Stainless Steel	64	30	29245	WASHER (.281 x .500 x .060) Stainless Steel	86	26
29845	O-RING (.924 x .103)	92	15	29845	O-RING (.924 x .103)	96	19
30164	WASHER (.192 x .375 x .0312) Stainless Steel	52	9	30164	WASHER (.192 x .375 x .0312) Stainless Steel	54	24
30529	O-RING (1.925 x .103)	32	28	30529	O-RING (1.925 x .103)	36	28
30529	O-RING (1.925 x .103) Crossover	104	-	30529	O-RING (1.925 x .103) Crossover	106	-
31866	SPACER (.256 x .313 x .625)	56	9	31866	SPACER (.256 x .313 x .625)	56	16
32219	NUT (.375-16)	96	7	32561	PLUG Pipe - Allen Head (.250-18)	20	2
328022	PLUG Pipe (.125-27) Brass	20	4	32803	PLUG Pipe (.375-18) Brass	34	34
32803	PLUG Pipe (.375-18) Brass	36	34	328571	COTTER PIN	82	5
32993	LOCKWASHER (.437)	92	20	32993	LOCKWASHER (.437)	92	28
33164	LOCKWASHER Stainless (.750)	102	12	34213	GASKET	74	25
34213	GASKET Block Off Plate	104	-	34213	GASKET Block Off Plate	106	-
34270	EXPANSION PLUG (1.625)	20	12	34353	SCREW (.375-16 x 1.00)	92	24
34931	WASHER (.406 x .734 x .063) Stainless Steel	84	15	35044	WASHER (.281 x .625 x .065) Stainless Steel	78	13
35044	WASHER (.281 x .625 x .065) Stainless Steel	80	18	35047	SCREW (.375-16 x 1.250) Stainless Steel	72	4
35048	LOCKWASHER (.375)	72	8	35048	LOCKWASHER (.375)	86	29
35048	LOCKWASHER (.375)	92	25	35462	WASHER (.2656 x .625 x .0625) Stainless Steel	82	8
35462	WASHER (.2656 x .625 x .0625) Stainless Steel	84	14	35777	WASHER (.5156 x 1.375 x .125) Aluminum	72	13
35777	WASHER (.5156 x 1.375 x .125) Aluminum	94	46	36002	COTTER PIN	84	5
36183	RETAINER	70	6	36373	PLUG (.375-18) Hex - Steel	20	8
36373	PLUG (.375-18) Hex - Steel	20	8	36373	PLUG (.375-18) Hex - Steel	20	17
36382	FITTING (.250-18 x .62) Brass Lower Side Of Block	20	11	37612	SCREW (.375-16 x 1.250)	90	11
390721	PLUG Pipe (.125-27) Brass	20	21	40001195	SCREW (M10 x 30)	44	6
40001195	SCREW (M10 x 30)	46	6	4000328	SCREW (M6 x 16)	76	9
4000377	SCREW (M10 x 30)	96	3	40011155	SCREW (M8 x 55) Stainless Steel	84	16
4002030	NUT (M8)	62	13	400211	NUT (M5) Stainless Steel	8	12
400212	NUT (M6) Stainless Steel	10	8	400212	NUT (M6) Stainless Steel	12	8
4002315	WASHER (6.60 X 12.5 X 1.5 mm -SS)	64	30	4002319	WASHER	96	14
400247	LOCKWASHER (M8)	8	10	400248	LOCKWASHER (M10)	72	7
4008612	SCREW (M4 x 12)	54	7	4010516	SCREW (M5 x 16) Stainless Steel	16	28
4010610	SCREW (M6 x 10) Stainless Steel	80	23	4010612	SCREW (M6 x 12) Stainless Steel	34	37
4010612	SCREW (M6 x 12) Stainless Steel	36	37	4010612	SCREW (M6 x 12) Stainless Steel Remote Oil Bracket to Collector	78	26
4010618	SCREW (M6 x 18) Stainless Steel	12	6	4010618	SCREW (M6 x 18) Stainless Steel	62	28

# PARTS INDEX

Part No.	Description	Pg.	Ref.no	Part No.	Description	Pg.	Ref.no
4010630	SCREW (M6 x 30) Stainless Steel	14	8	4010716	SCREW (M8 x 16)	62	18
4010716	SCREW (M8 x 16)	78	4	4010716	SCREW (M8 x 16)	80	4
4010716	SCREW (M8 x 16)	82	11	4010716	SCREW (M8 x 16)	90	5
4010720	SCREW (M8 x 20) Rear Lifting Eye to Shift Bracket	18	20	4010720	SCREW (M8 x 20)	44	8
4010720	SCREW (M8 x 20)	46	8	4010720	SCREW (M8 x 20) Support Bracket to Manifold	62	27
4010720	SCREW (M8 x 20) Support Bracket to Manifold	62	27	4010720	SCREW (M8 x 20)	90	9
4010725	SCREW (M8 x 25)	10	6	4010725	SCREW (M8 x 25)	12	12
4010725	SCREW (M8 x 25)	62	11	4010730	SCREW (M8 x 30)	32	9
4010730	SCREW (M8 x 30)	32	21	4010730	SCREW (M8 x 30)	36	21
4010730	SCREW (M8 x 30)	38	40	4010735	SCREW (M8 x 35)	84	9
4010775	SCREW (M8 x 75)	56	11	4010820	SCREW (M10 x 20) Hex Flange - Stainless Steel Front Lifting Eye to Remote Oil	18	22
4010820	SCREW (M10 x 20) Hex Flange - Stainless Steel	76	14	4010820	SCREW (M10 x 20) Hex Flange - Stainless Steel	76	20
4010820	SCREW (M10 x 20) Hex Flange - Stainless Steel	78	6	4010820	SCREW (M10 x 20) Hex Flange - Stainless Steel	80	5
401366	NUT (M6) Stainless Steel	78	14	401368	NUT (M8) Stainless Steel	12	3
401376	NUT (M6)	62	29	401376	NUT (M6)	62	29
401376	NUT (M6)	80	17	41063A1	BRACKET ASSEMBLY	94	62
41471	LOCKWASHER (.375)	62	25	41471	LOCKWASHER (.375)	68	10
41471	LOCKWASHER (.375)	68	13	41575A10	HARNES ASSEMBLY	94	64
41575A11	HARNES ASSEMBLY	94	64	415825	CLAMP Nylon	74	24
41802	SEAL Rubber	94	67	42077	SEAL Swivel Tube	78	18
42077	SEAL	80	25	42077	SEAL Swivel Tube	104	-
42077	SEAL Swivel Tube	106	-	42307	WASHER Spherical	94	47
424632	STUD (M8 x 37.1)	62	19	42553	J CLIP	24	13
42600A09	MERCATHODE ASSEMBLY	14	25	4285069	HOSE (44.00 Inches Bulk) To Drain	40	7
4285069	HOSE (44.00 Inches Bulk) Drain Fitting to Orifice Meter	42	6	44164	WASHER	102	13
44267A02	ELBOW KIT Intermediate (2 - 8 Inch Riser)	68	3	44348001	TUBE Exhaust	68	1
45176	WASHER (.453 x .812 x .105) Stainless Steel	14	23	45176	WASHER (.453 x .812 x .105) Stainless Steel	24	24
45862	SCREW (#10-32 x .875)	18	29	46335	NUT (.375-24)	84	13
46820	GASKET Exhaust Manifold to Cylinder Head	62	4	46950	COTTER PIN	90	23
47461	SCREW (.437-14 x 1.00)	18	15	47461	SCREW (.437-14 x 1.00) Reservoir Bracket to Head	34	38
47462	SCREW (.437-14 x 1.250)	36	7	47462	SCREW (.437-14 x 1.250)	74	22
47462	SCREW (.437-14 x 1.250)	90	13	47463	EXPANSION PLUG	26	40
47651	SCREW (.437-14 x 1.50)	92	3	47651	SCREW (.437-14 x 1.50)	92	19
47651	SCREW (.437-14 x 1.50)	96	15	47688	SCREW (.375-16 x 2.750)	92	24
479452	PLUG Oil Gallery	20	22	48409	SCREW (#10-16 x .625) Stainless Steel	86	18
49110	GASKET Circulating Water Pump Mount	30	7	49110	GASKET Circulating Water Pump Mount	104	-
49110	GASKET Circulating Water Pump Mount	106	-	49126	BUSHING Pilot	92	23
53167	SCREW (.312-18 x .880)	82	10	54012	WASHER (.530 x .870 x .105) Stainless Steel	72	15
54012	WASHER (.530 x .870 x .105) Stainless Steel	78	25	54012	WASHER (.530 x .870 x .105) Stainless Steel	80	14
54676	RETAINER Two Wire	16	31	56295	STUD (.437 x 2.69) Electrical Bracket to Cylinder Head	14	21
56720	WASHER (.330 x .750 x .060) Stainless Steel	20	28	56720	WASHER (.330 x .750 x .060) Stainless Steel	30	3
56720	WASHER (.330 x .750 x .060) Stainless Steel	82	7	56766	STUD (.250-20/.250-28 x 1.380)	24	19
57053	SCREW (.500-20 x 4.500)	94	45	58491	CHANNEL Rubber (4.00 Inches)	86	31
58640	SCREW (.375-16 x 1.25)	68	9	59784	SCREW (.250-10 x 1.00)	86	25
62494	CLIP	90	30	62568	SCREW (#10-16 x .375)	14	27
627021	O-RING (.301 x .070)	62	17	62704	O-RING (.362 x .103)	70	4
62704	O-RING (.362 x .103) Dipstick Tube	104	-	62704	O-RING (.362 x .103) Dipstick Tube	106	-
62826A6	CABLE ASSEMBLY Ground (13.00 Inches) Black	72	11	629101	FITTING Elbow - 90 Degree (.125-27)	32	15
629101	FITTING Elbow - 90 Degree (.125-27)	36	15	63341	TEE NUT	82	15
64013	FITTING (.375 Male To .125 Female)	20	9	642351	J CLIP	24	20
65567	WASHER (.265 x .750 x .048) Stainless Steel	16	33	65653	CLIP	34	36
65653	CLIP	36	36	68101	SCREW (.375-16 x 1.375)	92	24
68219	NUT (#10-32) Stainless Steel	14	26	68219	NUT (#10-32) Stainless Steel	18	14
68292	NUT (.312-18)	86	28	68402	PIN (.250 x 1.13) Clevis	82	16
687271	FITTING (.250-18) 90 Degree - Brass	52	8	687271	FITTING (.250-18) 90 Degree - Brass	54	20
687271	FITTING (.250-18) 90 Degree - Brass	58	11	69756	O-RING (.549 x .103) Number 5 Bearing Cap Oil Hole	28	11
69756	O-RING (.549 x .103) Number 5 Bearing Cap Oil Hole	104	-	69756	O-RING (.549 x .103) Number 5 Bearing Cap Oil Hole	106	-
72521	LOCKWASHER Internal Tooth	90	35	74036	FITTING Grease	72	19

# PARTS INDEX

Part No.	Description	Pg.	Ref.no	Part No.	Description	Pg.	Ref.no
74036	FITTING Grease	92	2	74036	FITTING Grease	94	42
74036	FITTING Grease	96	2	76926	SCREW (.375-16 x .875)	94	44
78458A1	TUBE	94	61	78945	J CLAMP Harness Support	30	11
79023T10	FUSE ASSEMBLY 110 Ampere	86	19	79023T90	FUSE ASSEMBLY 90 Ampere	8	8
79091	FUSE 20 Ampere	16	29	79138A9	CABLE ASSEMBLY (6.00 Feet) Black-Negative	86	8
79139A12	CABLE ASSEMBLY Red-Positive	86	23	79147A09	HARNESS ASSEMBLY	86	5
79550A1	BRACKET Engine Mounting	102	1	79695T	BOOT Insulator (Black)	8	7
79968	SCREW (#12-11 x .750)	74	15	803852	COUPLING	88	11
805159	SCREW (.437-20 x 1.500)	96	21	805223T	SENSOR	52	15
805223T	SENSOR	54	22	8053432	SCREW (.375-16 x 4.33)	8	3
805391	SCREW (.312-18 x 4.500)	52	14	805391	SCREW (.312-18 x 4.500)	54	14
805403A1	GASKET SET	58	2	805403A1	GASKET SET Intake Manifold	104	-
805403A1	GASKET SET Intake Manifold	106	-	805515	CAP Shrader Valve - Brass	58	23
8055571	SCREW (.3125-18 x .50)	90	31	805598	FITTING (.1875) Barb	52	7
805598	FITTING (.1875) Barb	54	19	805632	CONNECTOR	78	8
80617382	HOSE (58.00 Inches Bulk)	44	10	806193A46	LUBE BOTTLE Drive Lube	98	1
806232	O-RING (.239 x .064)	90	24	806608A02	PLUG ASSEMBLY (.500-13) Blue Housing With Drain Port Only	44	3
806608A02	PLUG ASSEMBLY (.500-13) Blue Housing With Drain Port Only	46	3	806608A02	PLUG ASSEMBLY (.500-13) Blue Housing With Drain Port Only	48	3
806608A02	PLUG ASSEMBLY (.500-13) Blue	74	5	806608A02	PLUG ASSEMBLY (.500-13) Blue	76	11
806677	BOLT	80	13	8067271	CAP Drive Lube Monitor	98	2
8067271	CAP Drive Lube Monitor	100	2	806949	NUT (M8-1.5)	8	4
806949	NUT (M8-1.5)	8	5	807130A4	PIPE Exhaust	68	6
8071341	SEAL	6	-	8071341	SEAL Thermostat	32	26
8071341	SEAL Thermostat	36	26	8071341	SEAL Thermostat	104	-
8071341	SEAL Thermostat	106	-	807166A1	SHUTTER ASSEMBLY Water	68	7
807167	GROMMET	68	8	807260A2	COVER KIT Flywheel	72	9
807296	NUT (.250-20)	72	NS	807445T	CLAMP Cooler Bracket	78	10
807445T	CLAMP	80	19	807757T	PULLEY ASSEMBLY Idler - Black	76	18
807962A15	BRACKET ASSEMBLY	82	1	8079923	COVER Hose Clamp End	62	NS
808009T11	SWITCH ASSEMBLY	82	21	808023T	STRAP	94	50
808023T	STRAP Bracket	98	4	808547	O-RING	54	3
808728T	ADAPTER ASSEMBLY	88	10	809463A1	SOLENOID KIT Starter	8	2
810883	SPARK PLUG	6	-	810883	SPARK PLUG	14	14
811546A04	GASKET KIT Cylinder Head	24	30	811546A04	GASKET KIT Cylinder Head	104	-
811546A04	GASKET KIT Cylinder Head	106	-	811553	GROMMET	24	7
811553	GROMMET	58	5	811553	GROMMET Intake Manifold & Cover Assembly	104	-
811553	GROMMET Intake Manifold & Cover Assembly	106	-	811554	SEAL Oil	28	12
811554	SEAL Oil, Flywheel	104	-	811554	SEAL Oil, Flywheel	106	-
811560	FLYWHEEL	28	14	811573A04	PUMP ASSEMBLY Circulating Water	30	5
811588	GASKET Rocker Cover	24	2	811588	GASKET Rocker Cover	104	-
811588	GASKET Rocker Cover	106	-	812498A1	VALVE KIT Relief	88	NS
812499A1	VALVE KIT Relief	88	NS	812619	FUSE Yellow - 20 Ampere	86	6
814263A1	BASE ASSEMBLY Mount Assembly	92	10	814263A1	BASE ASSEMBLY	102	4
814309A1	HOUSING ASSEMBLY	92	21	814382	CONNECTOR	52	7
814382	CONNECTOR	54	19	815504105	CLAMP Worm Gear (11-18 mm) Hose	90	18
815504206	CLAMP Worm Gear	32	7	815504210	CLAMP Worm Gear Hose	90	19
815504212	CLAMP Worm Gear	32	13	815504212	CLAMP Worm Gear	36	13
815504212	CLAMP Worm Gear	42	19	815504212	CLAMP Worm Gear	44	18
815504212	CLAMP Worm Gear	46	19	815504216	CLAMP Worm Gear (1.56 Diameter)	40	9
815504216	CLAMP Worm Gear (1.56 Diameter)	42	8	815504216	CLAMP Worm Gear (1.56 Diameter)	62	9
815504220	CLAMP Worm Gear	44	4	815504220	CLAMP Worm Gear	46	4
815504222	CLAMP Worm Gear (1.98 Diameter)	40	2	815504222	CLAMP Worm Gear (1.98 Diameter)	42	4
815504222	CLAMP Worm Gear (1.98 Diameter)	44	5	815504222	CLAMP Worm Gear (1.98 Diameter)	46	5
815504222	CLAMP Worm Gear (1.98 Diameter)	94	55	815504228	CLAMP Worm Gear	40	6
815504228	CLAMP Worm Gear	42	2	815504228	CLAMP Worm Gear	42	11
815504232	CLAMP Worm Gear (2.50 Diameter)	32	30	815504232	CLAMP Worm Gear (2.50 Diameter)	36	30
815504232	CLAMP Worm Gear (2.50 Diameter)	42	7	815504232	CLAMP Worm Gear (2.50 Diameter)	42	9
815504232	CLAMP Worm Gear (2.50 Diameter)	44	17	815504232	CLAMP Worm Gear (2.50 Diameter)	46	18
815504272	CLAMP Worm Gear	68	2	815504272	CLAMP Worm Gear	68	4



# PARTS INDEX

Part No.	Description	Pg.	Ref.no	Part No.	Description	Pg.	Ref.no
816311T	TIE STRAP (8.00 Inches)	24	9	816331	NUT (.750-16) Jam	92	11
816331	NUT (.750-16)	102	5	816492A15	ALARM KIT	18	21
816585	SCREW (.312-18 x .875)	90	34	817416A4	HOUSING ASSEMBLY Bearing	92	33
817417T	SPACER	92	35	817505	SCREW (.250-20 x .620) Stainless Steel	82	23
817505	SCREW (.250-20 x .620) Stainless Steel	84	20	8175051	SCREW (.250-20 x .625)	30	25
8175051	SCREW (.250-20 x .625)	30	26	818718A3	COVER KIT Flywheel Inspection	92	29
818780	WASHER (.515 x 1.970 x .275) Black Oxide	30	21	81893412	SCREW (M8 x 12)	32	5
818967	GROMMET	18	9	818968	BUSHING	18	10
82104545	SCREW (M5 x45)	74	16	82130025	SCREW (M6 x 25)	14	5
82130025	SCREW (M6 x 25)	14	20	82130025	SCREW (M6 x 25) Support Bracket to Reservoir Bracket	62	28
82130025	SCREW (M6 x 25) Support Bracket to Lube Bracket	62	28	82130025	SCREW (M6 x 25)	90	4
82130040	SCREW (M6 x 40)	80	12	82130045	SCREW (M6 x 45)	80	12
8219471	SEAL Oil	30	14	8219471	SEAL Oil, Front Cover Assembly	104	-
8219471	SEAL Oil, Front Cover Assembly	106	-	823444	SCREW	88	9
824459110	SCREW (M8 x 110) Stainless Steel	10	5	824459110	SCREW (M8 x 110) Stainless Steel	12	5
826292	NUT (M10) Brass/Nickel Plated	20	13	826292	NUT (M10) Brass/Nickel Plated	98	9
826365	NUT (M8)	10	3	826365	NUT (M8)	56	4
826365	NUT (M8) Nylock	74	8	82670815	NUT (.437-20)	96	22
8267089	NUT (.250-28)	24	17	826709106	NUT (#10-32) Stainless Steel	18	14
826709109	NUT (.250-28) Stainless Steel	8	9	826709109	NUT (.250-28) Stainless Steel	56	10
826709109	NUT (.250-28) Stainless Steel	56	19	826709109	NUT (.250-28) Stainless Steel	84	12
826709111	NUT (.312-24) Stainless Steel	56	13	82670912	NUT (.375-16) Stainless Steel	92	7
82671112	NUT (.375-16)	72	6	828054	COVER Fuse	18	19
828054	COVER Fuse	86	7	828102	BRACKET	18	8
828249	GROMMET	52	17	828249	GROMMET	54	29
828442	WASHER	80	18	830749	SEAL	6	-
830749	SEAL	6	-	830861	SCREW (#8-32 x .625)	18	29
83296910	FUSE Mini - Red - 10 Ampere	18	4	83296920	FUSE Mini - Yellow - 20 Ampere	18	4
83296920	FUSE Mini - Yellow - 20 Ampere	18	4	83296915	FUSE Mini - Blue - 15 Ampere	18	4
834985	GROMMET	14	4	840678	SEAT Spring	24	33
840942	GUIDE Pushrod	24	22	840981	BRACKET MAP Sensor Mount	52	10
840981	BRACKET MAP Sensor Mount	54	23	841203T	COIL Ignition	14	6
841238	BUSHING	56	2	841389	SCREW (.312-18 x .620)	70	14
841807	O-RING (3.500 x .103)	54	10	841807	O-RING (3.500 x .103) Throttle Body	104	-
841807	O-RING (3.500 x .103) Throttle Body	106	-	841897T	RING Retaining	92	18
841897T	RING Retaining	96	20	841990	WASHER Special - Black	24	11
842250T02	COVER ASSEMBLY Cylinder Front - Black	30	12	842401	BEARING SET Main - .001 Oversize	28	7
842402	BEARING SET Main - .001 Undersize	28	7	842403	BEARING SET Main - .010 Undersize	28	7
842755	SEAL Valve Intake And Exhaust	24	32	842755	SEAL Valve Intake & Exhaust	104	-
842755	SEAL Valve Intake & Exhaust	106	-	843004	SPROCKET Crankshaft	20	38
843129	STUD Rocker Arm Valve	26	39	843142	J CLIP	24	27
843155001	FOAM STRIP (6.500 Inches)	32	10	843155001	FOAM STRIP (6.500 Inches)	36	10
843349	SHIM Cam Position Sensor	30	29	843374T1	FLYWHEEL	28	14
843375	STUD (.375-16/.500-12 x 5.500)	70	9	843378	PIN Dowel (.250) Bottom Of Block	20	7
843378	PIN Dowel (.250) Timing Cover	20	15	843379	PIN Dowel (.6206/.6211 x 1.20) Flywheel Housing	20	3
843931	PIN Dowel Cylinder Head Gasket Locator	24	31	843931	PIN Dowel Cylinder Head Gasket Locator	104	-
843931	PIN Dowel Cylinder Head Gasket Locator	106	-	843945T	WINDAGE TRAY Oil Deflector	70	10
844367	RETAINER Ignition Cable Support	14	7	845174	PLUG (.500-14 x .610) Brass	30	6
845599	STUD (.375-16/.438-14 x 3.00)	70	8	845602	NUT (.375-16)	70	11
845607	KEY Crankshaft	28	8	845627	SCREW (.500-20 x 2.500)	30	20
845628	GASKET Oil Pan	70	12	845628	GASKET Oil Pan	104	-
845628	GASKET Oil Pan	106	-	845668T	PAN ASSEMBLY Oil	70	13
845753T1	CAP Oil Fill	24	12	845754	GUIDE Lifter	20	30
845756T	SHEILD Oil Intake	20	25	845757	SCREW (.437-20 x 1.00)	28	13
845941	RETAINER Gear Thrust	20	35	845941	RETAINER Gear Thrust	104	-
845941	RETAINER Gear Thrust	106	-	845943	SCREW (.250-20 x .500)	20	36
846673	WASHER (.265 x .500 x .060) Stainless Steel	24	18	846673	WASHER (.265 x .500 x .060) Stainless Steel	56	8
846673	WASHER (.265 x .500 x .060) Stainless Steel	56	18	847401	SCREW (#10-24 x .380)	52	12
847401	SCREW (#10-24 x .380)	54	25	848262	PUSH ROD (7.550)	24	28
848264	PUSH ROD (8.550)	24	28	848578	VALVE ASSEMBLY Crankcase Vent	58	4

# PARTS INDEX

Part No.	Description	Pg.	Ref.no	Part No.	Description	Pg.	Ref.no
848764	CLAMP (21 mm)	58	6	849947T01	LIFTER	20	31
849999	FITTING Tee	24	15	850456	GASKET Front Cover Mount	30	13
850456	GASKET Front Cover Mount	104	-	850456	GASKET Front Cover Mount	106	-
853678T	SENSOR TPS	54	5	854445	SENSOR MAP	52	11
854445	SENSOR MAP	54	26	85684	BEARING SET	20	33
856954	BUSHING	14	3	858087K01	20W40 FULL SYN SD/IB OIL MPP, 1 Quart Full Synthetic	2	-
858088K01	20W40 FULL SYN SD/IB OIL MPP, 1 Gallon Full Synthetic	2	-	858754	COVER Fuse	18	5
858951	J CLIP	14	2	858951	J CLIP	24	10
859126	NUT (.750-16)	92	13	859126	NUT (.750-16)	96	13
859126	NUT (.750-16) Jam	102	7	859135	NUT (.437-20) Brass/Nickel Plated	14	24
859318T1	TERMINATOR 10 Pin (CAN 1 and 2)	18	12	860065A1	BRACKET KIT	94	49
860065A1	BRACKET KIT Oil Bottle, Drive Lube Reservoir	98	3	86015	GASKET Flywheel Inspection Cover	92	30
860222A1	RESONATOR Exhaust	62	26	861163	QUICK CONNECTOR (90 Degree) To Transom	98	6
861316	STUD (.375-16 x 2.750) Special	72	5	861405	FITTING	42	20
861406	SOCKET	42	21	861427	CAP	42	14
861523A18	COUPLER ASSEMBLY Engine - Short Steel Hub	94	60	861523A7	COUPLER ASSEMBLY Engine - Long Steel Hub	72	18
861578	PULLEY Power Steering	90	8	861680	INSULATOR	86	17
861776A2	PLATE KIT	62	23	861776A2	PLATE KIT	68	11
861776A2	PLATE KIT	94	63	862040	SEAL Lip	76	7
862232A2	IMPELLER	76	2	862235A1	DRIVESHAFT ASSEMBLY Impeller	76	5
862268T1	TUBE	94	65	862268T2	TUBE	94	66
862356	GASKET Elbow to Manifold	62	14	862548A1	BRACKET KIT Floor Or Transom Mounted	86	24
862646	FUSE Tan - 5 Ampere	18	18	862663	CAP Coolant Reservoir	32	2
862863	CAP Coolant Reservoir	36	2	862870T	ADAPTER Oil Filter	78	16
862870T	ADAPTER	80	24	862914A13	HOUSING ASSEMBLY Impeller	76	1
862914T10	PUMP KIT Sea Water Without Air Fittings	74	2	862914T10	PUMP KIT Sea Water Without Air Fittings	76	-
862914T11	PUMP KIT Sea Water With Air Fittings	74	2	862914T11	PUMP KIT Sea Water With Air Fittings	76	-
862915	STUD (.250-18/M10 Special)	20	5	862957	SEAL Oil Filter Adapter	78	17
862957	SEAL	80	27	862957	SEAL Oil Filter Adaptor	104	-
862957	SEAL Oil Filter Adaptor	106	-	862958	FITTING Oil Filter Adapter	78	19
862958	FITTING	80	26	862958A1	FITTING KIT	80	-
862993	FITTING Y, (2) 1-1/4 In. Hose Barbs / (1) 3/4 In. Hose Barb	40	5	862994T	FITTING	66	5
862999002	PLUG	54	2	863006	O-RING (10.82 x 1.78)	54	4
863007A1	STARTER MOTOR ASSEMBLY	8	1	863053T	MANIFOLD ASSEMBLY Air	74	14
8630561	HOSE (42.00 Inches Bulk) Black Air	74	9	863057	PUMP Air	74	12
863077T	ALTERNATOR ASSEMBLY Black	10	1	863077T	ALTERNATOR ASSEMBLY Black	12	1
863095	HOSE Elbow to Manifold	62	8	863102	HOSE	62	21
863121	STUD (M8 x 194)	62	22	863129	BALL	66	2
863132	SPACER Shift Arm	84	8	863133	SPACER Actuator	84	6
8631341	LEVER Shift Arm	84	7	863151	SEAL Quad Ring	44	13
863151	SEAL Quad Ring	46	13	86322A15	CABLE ASSEMBLY (5.50 Inches) Black	86	9
86322A24	CABLE ASSEMBLY (4.00 Inches)	86	13	863332	NUT (.500-20) Aluminum	72	17
863393	CLAMP	52	3	863393	CLAMP	54	11
863480	SCREW (.375-16 x 1.125)	30	19	863480	SCREW (.375-16 x 1.125)	72	20
863485	FITTING	78	5	863674A04	COVER KIT Impeller Housing	76	10
863717A2	ACTUATOR ASSEMBLY Water Drain	74	1	863718	FITTING Gray - Straight	76	21
863719	FITTING Orange - Straight	76	21	863732T1	BRACKET Remote Oil Filter	78	1
863820T1	COOLER Power Steering	90	33	863863T	BRACKET Actuator Mounting	74	7
863864	BEARING Pilot	92	23	863905T	BRACKET Oil Cooler	78	21
863905T	BRACKET	80	21	863911A12	LEVER ASSEMBLY	82	13
864297T01	SENSOR ASSEMBLY Crankshaft Position	30	22	864361	STUD	84	10
864386	SPACER Switch	84	19	864468T	BRACKET	44	15
864468T	BRACKET	46	15	864616	RETAINER Shift Cable	84	3
864650A13	MODULE KIT Fuel Pump, Complete	44	1	864701	O-RING (1.112 x .103)	66	3
865047T	PULLEY Water Pump	30	4	865076	SCREW (6-32 x 1.25)	84	18
865147	SCREW (#6-32 x .750) Stainless Steel	82	22	865148	SHOULDER SCREW (.312-18 x 1.843) Stainless Steel	82	19
865152	SCREW (M6)	74	13	865152	SCREW (M6)	76	22
865154A02	STUD KIT (.250-20/.250-28 x 2.120)	82	2	865191	FITTING Male Quick Connect	98	7

# PARTS INDEX

Part No.	Description	Pg.	Ref.no	Part No.	Description	Pg.	Ref.no
865262A02	BRACKET ASSEMBLY	78	3	865262A02	BRACKET ASSEMBLY	90	3
865263001	CAP Oil Reservoir - Black	90	2	865266	FILTER	54	15
865288	FITTING Gray (90 Degree)	74	3	865289	FITTING Orange (90 Degree)	74	4
865324	QUICK CONNECT	42	15	865324	QUICK CONNECT	42	15
865324	QUICK CONNECT	94	54	865330A02	MOUNT KIT Rubber	72	2
865331A02	ELBOW Exhaust	62	7	865332A02	ELBOW Black Exhaust	62	7
865362	QUICK CONNECT	42	17	865362	QUICK CONNECT	94	57
865379	FITTING Female Quick Connect	98	8	865379	FITTING Female To Transom	100	5
865380A13	PUMP/MOTOR ASSEMBLY Trim - 12 Volt	86	2	865380A13	PUMP/MOTOR ASSEMBLY Trim - 12 Volt	88	1
865380A25	PUMP ASSEMBLY Trim - Complete	86	1	865389139	HOSE Female Quick Connect (Fittings on Both Ends)	94	51
865390015	HOSE Male Quick Connect Cylinder to Cooler	90	14	865390134	HOSE Male Quick Connect (Fittings on One End)	94	52
865393A02	STUD KIT (.250-28 x 1.90)	82	17	865412001	FITTING Stainless Steel	86	4
865412001	FITTING Stainless Steel Male Quick Connect	88	7	865413002	FITTING Stainless Steel	86	3
865413002	FITTING Stainless Steel Female Quick Connect	88	5	865414001	FITTING	90	27
865414001	FITTING PS Pressure	94	59	865415	FITTING	90	26
865415	FITTING PS Return	94	58	865434A02	RETAINER KIT Shift Cable	82	4
865448A01	CAP Oil Reservoir	88	17	865470	HOUSING Inlet	94	53
865597T	TENSIONER Belt	76	17	865655	SCREW (.250-20 x .500)	86	11
865657A04	HOUSING ASSEMBLY Flywheel	72	1	865672079	HOSE (.96.00 Inches Bulk)	42	1
865672079	HOSE (.96.00 Inches Bulk)	42	16	865677T01	HARNES ASSEMBLY Transom Harness	18	24
865710T	PUMP ASSEMBLY .75 Shaft Diameter Power Steering	90	7	865717	HOSE Reservoir to Cooler	90	17
865774T01	HARNES ASSEMBLY Trim Pump	18	23	865777	PULLEY Idler, Non-Grooved	76	19
865827T	BREAKER Circuit - 50 Ampere Flag Reset	18	13	865828A02	FITTING ASSEMBLY Drain	62	3
865828A02	FITTING ASSEMBLY Drain	66	1	865982005	SCREW (.375-16 x 1.00) Alternator Bracket	10	10
865982005	SCREW (.375-16 x 1.00) Alternator Bracket	12	10	865982007	SCREW (.375-16 x 1.25) Hex Flange	74	11
865982007	SCREW (.375-16 x 1.25) Hex Flange	102	2	865982007	SCREW (.375-16 x 1.25) Hex Flange	102	2
865982011	SCREW (3/8-16 x1.75)	30	9	866114	SCREW (.250-28) Special	44	14
866114	SCREW (.250-28) Special	46	14	866114	SCREW (.250-28) Special	48	33
866169T01	PUMP ASSEMBLY Fuel High Pressure	48	15	866170A01	PUMP ASSEMBLY Fuel - Low Pressure	48	11
866171A01	FILTER	48	28	866178T01	MANIFOLD ASSEMBLY Cast-Iron Alloy Exhaust	62	1
866200A01	CYLINDER ASSEMBLY Power Steering	90	20	866340K01	FILTER Oil - Mercury Brand	2	-
866340K01	FILTER Oil - Mercury Brand	6	-	866340K01	FILTER Oil - Mercury Brand	6	-
866340K01	FILTER Oil - Mercury Brand	78	2	866340K01	FILTER Oil - Mercury Brand	80	1
866340Q03	FILTER Oil - Quicksilver Brand	2	-	866340Q03	FILTER Oil - Quicksilver Brand	78	2
866340Q03	FILTER Oil - Quicksilver Brand	80	1	866390	GASKET Collector to Exhaust Manifold	104	-
866509	HOSE Pressure Pump to Cylinder	90	16	866656	SCREW (.312-24 x .750) Stainless Steel	30	2
866708T01	BASE ASSEMBLY	102	8	866710	NUT (.750-16) Stainless Steel	102	9
866768T	RISER (6 Inch)	62	20	86885	SCREW (.250-20 x 1.500) Stainless Steel	72	10
878187	SENSOR ASSEMBLY Knock	22	42	879150A09	SEAL KIT	58	13
879150A09	SEAL KIT	58	18	879172T78	PULLEY	76	16
879194A03	GIMBAL BEARING KIT	92	17	879194A03	GIMBAL BEARING KIT	96	18
879194T46	SHIFT ACTUATOR	84	1	879962	CLIP	18	6
881879010	SENSOR	90	28	881879T11	SENSOR Pressure (0 - 100 PSI)	20	10
882751A1	RELAY ASSEMBLY	18	7	882751A1	RELAY ASSEMBLY	18	7
883166A2	RESERVOIR KIT	88	16	883167	SCREW (#8-32)	88	4
88517	FITTING Reducing	48	31	885192	O-RING	30	23
885342002	SENSOR ASSEMBLY Water Temperature	14	10	885342002	SENSOR ASSEMBLY 885342002	14	10
885342002	SENSOR ASSEMBLY Water Temperature	32	11	885342002	SENSOR ASSEMBLY Water Temperature	36	11
885342002	SENSOR ASSEMBLY Temperature	62	16	88552512	SCREW (M6 x 12 MM) Stainless Steel	36	24
88552512	SCREW (M6 x 12 MM) Stainless Steel Dipstick Tube to Coolant Reservoir Bracket	70	15	88552516	SCREW (M6 x 16 MM) Stainless Steel	56	5
88552516	SCREW (M6 x 16 MM) Stainless Steel Fuel Rail to Intake Manifold	58	24	88552520	SCREW (M6 x 20 MM) Stainless Steel	36	9
88552520	SCREW (M6 x 20 MM) Stainless Steel	54	13	88552520	SCREW (M6 x 20 MM) Stainless Steel	100	3
88552560	SCREW (M6 x60)	14	9	88552560	SCREW (M6 x60)	52	2
88552585	SCREW (M6 x 85 MM) Stainless Steel	54	8	88552630	SCREW (M8 x 30)	76	15
888416T04	HARNES ASSEMBLY DTS, Clean Power, 15 Feet	18	17	889514A01	SWITCH	84	17
889664	NUT (1.500-18) Black Nylon	14	16	891716	GASKET	32	17
891716	GASKET	36	17	891716	GASKET Heat Exchanger	104	-
891716	GASKET Heat Exchanger	106	-	891717	COVER	32	19

# PARTS INDEX

Part No.	Description	Pg.	Ref.no	Part No.	Description	Pg.	Ref.no
891717	COVER	36	19	891736T	MOTOR ASSEMBLY Complete	88	2
891737	BRUSH KIT	88	NS	891868	O-RING	88	6
891868	O-RING	88	8	892608	BOARD ASSEMBLY Circuit - Radio Frequency Interference Filter	88	3
892665	FILTER Fuel	48	23	892670A01	CHECK VALVE KIT	48	5
892677	COVER Fuel Module Housing	48	9	892681	REGULATOR	48	10
892683	SEAL	48	32	892684	SCREW	48	4
892687A02	CARTRIDGE ASSEMBLY Fuel Filter	48	24	89496	FILTER	88	14
89498	O-RING Motor End	88	12	896699	O-RING (1.78 mm x .08 mm)	14	11
896699	O-RING (1.78 mm x .08 mm)	32	12	896699	O-RING (1.78 mm x .08 mm)	36	12
896699	O-RING (1.78 mm x .08 mm) Sensor Assembly	104	-	896699	O-RING (1.78 mm x .08 mm) Sensor Assembly	106	-
89879	O-RING (.301 x .064)	90	25	898832	NUT (.500-20)	94	48
899145	CLIP Tie Strap	16	32	899145	CLIP Tie Strap	18	25
89919	BOOT Insulator - Black	18	11	899329A09	CABLE SET High Tension-Set of Eight	14	13
899852T	SPROCKET Camshaft	20	39	8M0000463	SCREW (.438-14 x 2.060) Black Oxide	24	21
8M0000467	SCREW (.438-14 x 5.060) Black Oxide	24	3	8M0000482	SCREW (.438-14 x 4.060) Black Oxide	24	3
8M0007824	SHIM Crankshaft Position Sensor	30	24	8M0011986	SENSOR ASSEMBLY Cam Position	30	27
8M0022331	SCREW Ratchet	54	21	8M0029391	DECAL	36	4
8M0030216	BEARING SET Connecting Rod - .001 Undersize	28	6	8M0030217	BEARING SET Connecting Rod - Standard	28	6
8M0030218	BEARING SET Connecting Rod - .001 Oversize	28	6	8M0030982	BEARING SET Connecting Rod - .010 Undersize	28	6
8M0032228	OPERATION MANUAL 8.2L MAG/MAG HO NON ECT	2	-	8M0032375	INSTALLATION MANUAL 8.2 MCM Non-ECT	2	-
8M0034453	STUD (7/16 x 2.19) Electrical Bracket to Cylinder Head	14	22	8M0034675	DECAL	36	4
8M0034676	DECAL	36	4	8M0039163	O-RING (3/8 x 1/8)	32	18
8M0039163	O-RING (3/8 x 1/8)	36	18	8M0039163	O-RING (3/8 x 1/8) Heat Exchanger	104	-
8M0039163	O-RING (3/8 x 1/8) Heat Exchanger	106	-	8M0041978	BOLT	28	5
8M0042521	HOSE PCV Valve to Plenum	58	7	8M0042528	BUSHING	56	3
8M0042576	KEY Valve Stem	24	36	8M0042978	SPRING Valve	24	34
8M0043100	SCREW (7/16-14 x 5.0) Crossover Port	32	31	8M0043100	SCREW (7/16-14 x 5.0) Crossover Port	36	31
8M0043101	SCREW (7/16-14 X 3.5) Lower Crossover	32	33	8M0043101	SCREW (7/16-14 X 3.5) Lower Crossover	36	33
8M0043109	PIN Dowel	20	34	8M0043145	BRACKET Wire Harness	58	10
8M0043175	RETAINER Valve Spring	24	35	8M0043537	NUT Rocker	24	26
8M0043740	ROLLER ASSEMBLY Throttle	56	12	8M0043925	SCREW (.312-18 x 1.0) Oil Pump Driver to Block	20	27
8M0043993	SCREW (.312-18 x.75) Camshaft Spocket to Camshaft	22	41	8M0044026	SCREW (.250-20 x 1.25)	30	15
8M0044047	SCREW (.312-18 x .62) Lifter Guide Retainer to Block	20	23	8M0044048	VALVE ASSEMBLY Pressure Relief	20	6
8M0044205	LEVER ASSEMBLY Throttle	56	1	8M0044310	SEAL Intake Manifold	52	6
8M0044310	SEAL	54	18	8M0044310	SEAL Intake Manifold	58	3
8M0044310	SEAL Intake Manifold	104	-	8M0044310	SEAL Intake Manifold	106	-
8M0044324	PLUG (1/4 Inch) Pipe	20	16	8M0044601	O-RING	24	6
8M0044724	HOSE Balance	58	25	8M0044726	VALVE ASSEMBLY	58	22
8M0044743	FUEL RAIL Port	58	20	8M0044754	FUEL RAIL Starboard	58	21
8M0045143	STUD Special (2.23 Inches)	56	17	8M0045150	STUD Special (2.535 Inches)	56	15
8M0045152	STUD Special (1.925 Inches) Throttle Cable	56	7	8M0045155	SPACER (0.26 x 0.50 x 0.24)	56	20
8M0045227	BELT Serpentine Serpentine	6	-	8M0045227	BELT Serpentine	10	9
8M0045227	BELT Serpentine	12	9	8M0045227	BELT Serpentine	30	1
8M0045229	RESERVOIR ASSEMBLY Coolant	32	1	8M0045230	HEAT EXCHANGER	32	16
8M0045230	HEAT EXCHANGER	36	16	8M0045236	CROSSOVER	32	32
8M0045236	CROSSOVER	36	32	8M0045237	PLENUM ASSEMBLY	52	5
8M0045238	FLAME ARRESTOR	52	4	8M0045238	FLAME ARRESTOR	54	16
8M0045239	PLENUM ASSEMBLY	54	17	8M0045241	THROTTLE BODY ASSEMBLY	54	1
8M0045249	BRACKET Shift Bracket Mount	82	20	8M0045249	BRACKET Shift Plate	84	2
8M0045250	BRACKET Power Steering Pump	90	10	8M0045251	BRACKET Alternator	10	4
8M0045251	BRACKET Alternator	12	4	8M0045252	HARNESS ASSEMBLY	18	3
8M0045253	HARNESS ASSEMBLY	18	3	8M0045254	COVER ASSEMBLY Rocker	24	1
8M0045255	CONNECTING ROD ASSEMBLY	28	4	8M0045256	MANIFOLD ASSEMBLY Intake	58	1
8M0045267	RETAINER KIT Design-I or II	58	14	8M0045287	DRIVE Oil Pump	20	26
8M0045288	CRANKSHAFT ASSEMBLY	28	9	8M0045293	DIPSTICK Oil Level	70	1
8M0045295	BRACKET Seawater Pump	74	10	8M0045300	BRACKET Remote Oil	78	22
8M0045344	LONGBLOCK ASSEMBLY 8.2L	2	-	8M0045344	LONGBLOCK ASSEMBLY	20	-
8M0045363	HOSE ASSEMBLY 3 Bib Orifice Meter	42	12	8M0045363	HOSE ASSEMBLY 3 Bib Orifice Meter	44	19

# PARTS INDEX

Part No.	Description	Pg.	Ref.no	Part No.	Description	Pg.	Ref.no
8M0045363	HOSE ASSEMBLY 3 Bib Orifice Meter	46	20	8M0045436	DECAL SET 8.2L Base Plenum	2	-
8M0045436	DECAL SET 8.2L Base Plenum	52	13	8M0045436	DECAL SET 8.2L Base Plenum	54	27
8M0045437	DECAL SET 8.2L High Output Plenum	2	-	8M0045437	DECAL SET 8.2L High Output Plenum	52	13
8M0045437	DECAL SET 8.2L High Output Plenum	54	27	8M0045438	DECAL SET 8.2L Base (SeaCore) Plenum	2	-
8M0045438	DECAL SET 8.2L Base (SeaCore) Plenum	52	13	8M0045438	DECAL SET 8.2L Base (SeaCore) Plenum	54	27
8M0045439	DECAL SET 8.2L High Output (SeaCore) Plenum	2	-	8M0045439	DECAL SET 8.2L High Output (SeaCore) Plenum	52	13
8M0045439	DECAL SET 8.2L High Output (SeaCore) Plenum	54	27	8M0045575	DECAL SET 8.2L High Output Heat Exchanger	2	-
8M0045575	DECAL SET 8.2L High Output Heat Exchanger	32	8	8M0045577	DECAL SET 8.2L Base Heat Exchanger	2	-
8M0045577	DECAL SET 8.2L Base Heat Exchanger	32	8	8M0045578	GASKET SET Overhaul Engine	2	-
8M0045578	GASKET SET Overhaul Overhaul	104	-	8M0045580	DECAL SET 8.2L Base (MIE) Heat Exchanger	32	8
8M0045581	DECAL SET 8.2L High Output (MIE) Heat Exchanger	32	8	8M0045696	COOLER Oil	78	20
8M0045725	SHIFT ACTUATOR ASSEMBLY Complete	84	-	8M0045733	BRACKET Electrical	14	15
8M0045749	TUBE Oil Fill	24	5	8M0045762	ROCKER ARM ASSEMBLY	24	25
8M0045765	ADAPTER Flame Arrestor	54	9	8M0045766	ADAPTER Flame Arrestor	54	9
8M0045793	HARNES Hot Stud	14	19	8M0045794	CAP Oil Fill	24	4
8M0045797	VALVE ASSEMBLY Idle Air	54	12	8M0045986	BELT Serpentine	10	9
8M0045986	BELT Serpentine	12	9	8M0045986	BELT Serpentine	30	1
8M0045987	CHAIN Timing	20	37	8M0045990	THERMOSTAT	6	-
8M0045990	THERMOSTAT	32	27	8M0045990	THERMOSTAT	36	27
8M0046080	RESERVOIR ASSEMBLY Oil, Power Steering	90	1	8M0046149	LINE Fuel Fuel Module to Fuel Rail	44	11
8M0046149	LINE Fuel Fuel Module to Fuel Rail	46	11	8M0046157	BRACKET Air Pump	74	19
8M0046187	HOSE Pump to Reservoir	90	15	8M0046188	HOSE Pump to Cylinder	90	16
8M0046222	PISTON ASSEMBLY (.030 Oversize)	28	1	8M0046223	PISTON ASSEMBLY (.060 Oversize)	28	1
8M0046228	RING SET Piston, .030 Oversize	28	3	8M0046229	RING SET Piston, .060 Oversize	28	3
8M0046250	THROTTLE/SHIFT KIT Two Station	56	14	8M0046324	VALVE Intake	26	37
8M0046325	VALVE Exhaust	26	38	8M0046343	CAMSHAFT	20	32
8M0046344	CYLINDER HEAD ASSEMBLY	24	29	8M0046395	SCREW (.375-16 x 1.75)	58	9
8M0046459	BRACKET Throttle Lever	56	6	8M0046460	THROTTLE BODY ASSEMBLY	52	1
8M0046521	PISTON ASSEMBLY Standard	28	1	8M0046522	RING SET Piston, Standard	28	3
8M0046566	CAP Service Point	58	27	8M0046566	CAP Service Point	74	17
8M0046568	CLAMP (20.5 mm)	58	26	8M0047215	MODULE KIT Fuel Pump, Complete With Drain Port	44	1
8M0047215	MODULE KIT Fuel Pump, Complete	46	1	8M0047215	MODULE KIT Fuel Pump, Complete With Drain Port	46	1
8M0047215	MODULE KIT Fuel Pump, Complete	48	-	8M0047215	MODULE KIT Fuel Pump, Complete With Drain Port	48	-
8M0047216	HOUSING Fuel Module With Drain Port	48	1	8M0050018	DRIVESHAFT ASSEMBLY KIT	76	-
8M0050100	CLIP Fuel Injector, Secondary,Design-II	58	15	8M0050294	CABLE TIE Design-II	58	16
8M0050537	BRACKET Lifting Rear	18	2	8M0050588	ECM Engine Control Module	14	1
8M0050589	ECM Engine Control Module	14	1	8M0050590	ECM Engine Control Module	14	1
8M0050591	BRACKET Lifting Front	18	1	8M0050593	HARNES Adaptor Exhaust Temperature	18	26
8M0050598	BRACKET Reservoir	32	4	8M0050599	FITTING ASSEMBLY Drain	62	3
8M0050599	FITTING ASSEMBLY Drain	66	1	8M0050611	PARTS MANUAL 8.2L Mag / 8.2L Mag HO	2	-
8M0050760	WHEEL Sensor Target	22	40	8M0050807	RETAINER Lifter Guide	20	24
8M0051184	OPERATION MANUAL 8.2L	2	-	8M0051198	BEARING SET Main - Standard	28	7
8M0051418	PUMP ASSEMBLY Oil	70	7	8M0054483	DECAL SET 8.2L EC Base Plenum	2	-
8M0054484	DECAL SET 8.2L EC High Output Plenum	2	-	8M0054485	DECAL SET 8.2L EC Base (SeaCore) Plenum	2	-
8M0054486	DECAL SET 8.2L EC High Output (SeaCore) Plenum	2	-	8M0054712	GASKET Elbow to Exhaust Manifold	106	-
8M0055652	TERMINATOR ASSEMBLY 10 Pin (CAN P and H)	18	12	8M0056175	HARNES ASSEMBLY	48	20
8M0056663	DECAL Silencer	52	20	8M0056663	DECAL Silencer	54	32
8M0058194	OPERATION MANUAL 8.2L Mag	2	-	8M0058302	SCREW (.375 - 16 X 1.75)	62	5
8M0058303	SCREW (.375 - 16 X 3.0)	62	6	8M0062600	HOSE 54.00 inch Bulk	100	4
8M0062601	HOSE (40.00 inch Bulk) Grey	74	21	8M0062605	HOSE (40.00 inch Bulk) Green	74	20
8M0062666	HOSE (96.00 Inches Bulk)	94	56	8M0063145	INSTALLATION MANUAL	2	-
8M0063146	OPERATION MANUAL	2	-	8M0063567	HOSE 58.00 inch Bulk	46	10
8M0065221	SHIELD Fuel Line	46	16	8M0065690	GASKET Cylinder Head to Exhaust Manifold	106	-
8M0069717	BRACKET Alternator	12	2	8M0070128	HOUSING Remote oil	80	2
8M0070210	RESERVIOR Coolant	36	1	8M0070211	BRACKET Reservoir	36	5
8M0070212	DIPSTICK Oil level	70	1	8M0070214	CRANKSHAFT ASSEMBLY	28	9
8M0070225	CAMSHAFT	20	32	8M0070248	COOLER Oil	80	16
8M0070509	GASKET SET Overhaul Engine	2	-	8M0070509	GASKET SET Overhaul	106	-

# PARTS INDEX

Part No.	Description	Pg.	Ref.no	Part No.	Description	Pg.	Ref.no
8M0070740	COVER ASSEMBLY	52	19	8M0070740	COVER ASSEMBLY	54	31
8M0070890	COVER	36	3	8M0070911	BRACKET Oil line	80	9
8M0070914	LUBE MONITOR Drive Lube	100	1	8M0070927	SHIELD Alternator	12	11
8M0070932	BRACKET	52	18	8M0070932	BRACKET	54	30
8M0071123	DECAL	38	39	8M0074038	LONGBLOCK ASSEMBLY	20	-
8M0074352	OPERATION MANUAL 8.2L MAG/MAG HO NON ECT	2	-	8M0081452	FUEL RAIL Starboard,Includes Injector Clips	58	21
8M0081453	FUEL RAIL Port,Includes Injector Clips	58	20	8M0082332	INJECTOR KIT Fuel Design-I or II	58	12
8M0082333	INJECTOR KIT Fuel Design-III	58	17	8M0085643	ECM Engine Control Module	14	1
8M0085644	ECM Engine Control Module	14	1	8M0086935	OPERATION MANUAL 8.2L MAG/MAG HO NON ECT	2	-
8M0093688	FILTER Fuel	6	-	8M0093688	FILTER Fuel	6	-
8M0098781	HOSE KIT Includes Clamp	58	25	8M0099001	GASKET Cylinder Head	24	30
8M0099429	VALVE ASSEMBLY Crankcase Vent	6	-	8M0100056	PCM Propulsion Control Module	14	1
8M0100070	PCM Propulsion Control Module	14	1	8M0100071	PCM Propulsion Control Module	14	1
8M0104773	MOUNT ASSEMBLY	96	10	8M0106963	TAILSTOCK KIT	96	-
8M0113924	OPERATIONS MANUAL	2	-	8M0120252	COOLER	90	33
8M0128976	OPERATIONS MANUAL 8.2L MAG/MAG HO NON ECT	2	-	8M0137219	IMPELLER KIT Heavy Duty	6	-
8M0147053	MAINTENANCE KIT 5.0L/5.7L/377 MAG/8.2L Bravo (100 Hours)	6	-	8M0147071	MAINTENANCE KIT 8.2L MPI Bravo (300 Hours)	6	-
8M2000004	BRACKET Flush Mount	34	35	8M2000433	TURBULATOR PLATE ASSY With Gaskets Exhaust	62	15
8M2000565	O-RING Component of Item 3 and 8	80	28	8M2001570	CLIP Design-III	58	19
8M2001645	SEAL Oil	76	4	8M2001671	GROMMET	52	16
8M2001671	GROMMET	54	28	8M2001894	SHIELD Fuel Line	44	16
8M2003931	GASKET Elbow to Exhaust Manifold	104	-	8M2003959	SENSOR Oxygen	14	12
8M2004610	STUD (3/16-16 x 2.25)	102	3	8M2007278	HOSE To Drain Housing	40	8
8M2009216	CLAMP	80	10	8M2009217	PLATE	80	11
8M2010476	FITTING (3/8-18)	44	2	8M2010476	FITTING (3/8-18)	46	2
8M2010476	FITTING (3/8-18)	48	2	8M2013566	PULLEY	30	17
8M2014176	PLATE Wear	76	13	8M2015913	PLUG (.250-28 x .320)	92	2
8M2015913	PLUG (.250-28 x .320)	96	2	8M2017130	HOSE Heat Exchanger to Drain Fitting	40	10
8M2017132	HOSE Water Drain to Heat Exchanger	40	1	8M2017248	BRACKET Alternator	10	2
8M2017248	BRACKET Alternator	12	2	8M2017251	BRACKET Support, Fuel Module	44	7
8M2017251	BRACKET Support, Fuel Module	46	7	8M2017358	HOSE Sea Water Pump to Fitting	42	3
8M2017359	HOSE Power Steering Cooler to Oil Cooler	40	3	8M2017380	SCREW (.4375-14 x 5.5)	10	7
8M2017380	SCREW (.4375-14 x 5.5)	12	7	8M2017380	SCREW (.4375-14 x 5.5)	32	22
8M2017380	SCREW (.4375-14 x 5.5)	36	22	8M2017402	HOSE Oil, Cooler to Adapter	78	7
8M2017405	LINE Oil, Filter Base to Block	78	11	8M2017485	LINE Oil, Filter to Cooler	78	12
8M2017497	HOSE To Oil Cooler	40	4	8M2017579	SCREW (.375-16 x 5.25) Intake Manifold to Head	58	8
8M2017590	SCREW (.375-16 x 1.75)	62	5	8M2017591	SCREW (.375-16 x 3.0)	62	6
8M2017664	HOSE Coolant Bleed	32	6	8M2017665	HOSE Reservoir to Circulating Pump	32	14
8M2017665	HOSE Reservoir to Circulating Pump	36	14	8M2017668	SCREW (7/16-14 x 1.00)	44	9
8M2017668	SCREW (7/16-14 x 1.00)	46	9	8M2017792	STUD Hot (3/8-16)	14	17
8M2017891	DECAL Engine Coolant	2	-	8M2017891	DECAL Engine Coolant	32	3
8M2017891	DECAL Engine Coolant	36	38	8M2017892	DECAL Power Steering Fluid	2	-
8M2017892	DECAL Power Steering Fluid	90	29	8M2017894	DECAL Flush Port	2	-
8M2017982	PLATE Heat Exchanger	32	25	8M2017982	PLATE Heat Exchanger	36	25
8M2017984	PLATE Heat Exchanger	32	23	8M2017984	PLATE Heat Exchanger	36	23
8M2017990	SCREW (M8 x 1.25)	32	5	8M2017990	SCREW (M8 x 1.25)	32	5
8M2018049	GASKET Cylinder Head to Exhaust Manifold	104	-	8M2018248	FITTING Water Pump	30	8
8M2018570	LABEL Circuit Breaker	2	-	8M2018755	BRACKET Oil Cooler, Intermediate	78	23
8M2018755	BRACKET	80	15	8M2018769	TUBE ASSEMBLY Dipstick	70	3
8M2018790	FILTER Pump Suction	48	17	8M2018792	CLIP	48	18
8M2018801	HOSE Water Orifice to Power Steering Cooler	42	5	8M2019142	INSULATOR Hot Stud	14	18
8M2019251	SCREW (.500-13 x 1.00) Oil Cooler to Block	78	24	8M2019704	HOSE Crossover to Circulating Pump	32	29
8M2019704	HOSE Crossover to Circulating Pump	36	29	8M2019902	HOSE (42 Inches) Water	42	13
8M2020214	CAP ASSEMBLY Weather	18	27	8M2020215	BRACKET Support Cylinder Head to Reservoir	62	10
8M2020215	BRACKET Support Cylinder Head to Eye Bracket	62	10	8M2020245	HOSE Heat Exchanger to Drain Fitting	42	10
8M2020357	CAP ASSEMBLY Weather	18	28	8M2021567	BRACKET Flush mount	12	13
8M2021625	OIL LINE Filter to block	80	8	8M2021626	OIL LINE Cooler to filter	80	3
8M2021679	OIL LINE Block to cooler	80	7	8M2021697	TUBE ASSEMBLY Dipstick	70	3



# PARTS INDEX

Part No.	Description	Pg.	Ref.no	Part No.	Description	Pg.	Ref.no
8M2021921	BRACKET Remote oil	80	6	8M2021987	O-RING Formed	76	3
8M2022419	OIL LINE Filter to block	80	8	8M2022420	OIL LINE Cooler to filter	80	3
8M2022695	SPACER	36	8	8M2022695	SPACER	100	6
8M2023670	BRACKET Remote oil	80	6	8M2023884	HOSE 3.75 X 8.00	68	5
8M4501756	FITTING	42	18	8M6001046	HARMONIC BALANCER	30	16
8M6002226	CLAMP	58	26	8M6500043	CLIP Ignition	46	17
8M6500044	CLIP Ignition, Dual	46	21	90285	SCREW (.312-18 x .625)	86	27
92850	CLAMP Harness Support	72	16	92850	CLAMP	80	22
92913	SCREW (.437-14 x .750)	92	27	93190	FITTING (.375 NPTF x .50 Inverted Flare)	78	9
93906A2	SHAFT Output	92	14	93911A4	HOUSING ASSEMBLY Shaft Extension Support	92	1
93911A4	HOUSING ASSEMBLY Shaft Extension Support	96	1	93914	RING Retaining	94	37
93915	RING Retaining	94	38	93918A1	SHIELD Lower	92	4
93918A1	SHIELD Lower	94	43	93918A1	SHIELD Lower	96	4
93919A1	SHIELD Upper	92	6	93919A1	SHIELD Upper	96	6
939201	PLATE Cover	92	26	93921	EXPANSION PLUG	94	41
93923A1	MOUNT ASSEMBLY Flywheel Housing	92	9	93923A1	MOUNT ASSEMBLY Flywheel Housing	96	9
93924	SEAL Oil	94	39	93944A2	BEARING SET Ball	92	34
93944A2	BEARING SET Ball	92	36	94104	RING Retaining	92	16
94104	RING Retaining	96	17	94140	EXPANSION PLUG	20	29
94275	LINK Connector	86	14	94330	NUT (.250-20) Brass	86	16
95084A10	CABLE ASSEMBLY (5.00 Inches) Red	16	30	95084A9	CABLE ASSEMBLY (91.00 Inches) Red/Purple Strip	16	30
95353A1	VALVE KIT Thermal Relief	88	NS	95820	STUD Rocker Arm Valve	26	39
96112	STUD (.250-28 x 2.00) Throttle Cable Anchor	84	11	96158T	SOLENOID	86	10
96995	SCREW (.375-16 x .880)	92	5	96995	SCREW (.375-16 x .880)	92	8
96995	SCREW (.375-16 x .880)	96	5	96995	SCREW (.375-16 x .880)	96	8
97850	ELBOW 90 Degree Breather	24	8	97934	SCREW (.500-20 x 5.370) Special	72	12
98253	SCREW (.250-20 x .500)	80	20	98253	SCREW (.250-20 x .500)	92	31
98257	SCREW (.312-18 x .500) Dipstick Tube to Block, Bottom	70	2	98260	SCREW (.375-16 x .620)	74	18
98260	SCREW (.375-16 x .620)	86	30	98261	SCREW (.375-16 x .750)	32	20
98261	SCREW (.375-16 x .750)	36	20	98634A20	EXTENSION KIT Jackshaft Kit	92	-
98794	SCREW (.375-16 x 1.00)	62	24	98794	SCREW (.375-16 x 1.00)	68	12
98828	SPACER	82	9	98828	SPACER	84	4
98880	SPRING	82	6	99204	SCREW (.437-14 x 1.00) Stainless Steel	24	23
99299	SPACER (.520 x .870 x .630)	72	14	99322	SPACER	72	3
NSS	NOT SOLD SEPARATE Screw	8	11	NSS	NOT SOLD SEPARATE BLOCK	20	1
NSS	NOT SOLD SEPARATE PISTON PIN	28	2	NSS	NOT SOLD SEPARATE PIN, Dowel	28	10
NSS	NOT SOLD SEPARATE O-Ring	30	28	NSS	NOT SOLD SEPARATE INSULATOR SLEEVE	44	12
NSS	NOT SOLD SEPARATE INSULATOR SLEEVE	46	12	NSS	NOT SOLD SEPARATE Check Valve	48	6
NSS	NOT SOLD SEPARATE Plug	48	7	NSS	NOT SOLD SEPARATE Seal	48	8
NSS	NOT SOLD SEPARATE Seal	48	12	NSS	NOT SOLD SEPARATE Seal	48	13
NSS	NOT SOLD SEPARATE Isolator, Lift Pump	48	14	NSS	NOT SOLD SEPARATE Isolator	48	16
NSS	NOT SOLD SEPARATE Seal	48	19	NSS	NOT SOLD SEPARATE Retainer	48	21
NSS	NOT SOLD SEPARATE Screw	48	22	NSS	NOT SOLD SEPARATE Cap, Fuel Filter Cartridge	48	25
NSS	NOT SOLD SEPARATE Screw	48	26	NSS	NOT SOLD SEPARATE Seal	48	27
NSS	NOT SOLD SEPARATE Seal	48	29	NSS	NOT SOLD SEPARATE Cup, Fuel Filter Cartridge	48	30
NSS	NOT SOLD SEPARATE SPACER	76	6	NSS	NOT SOLD SEPARATE SNAP RING	76	8
NSS	NOT SOLD SEPARATE Input Shaft	94	40	NSS	NOT SOLD SEPARATE Tailstock Shaft	96	16