

**Parts Manual**

**Cat.# 90-8M0118807**

**Revised 09-20-2020**

# TABLE OF CONTENTS

Cat.# 90-8M0118807	
Service/Support Material	1
Top Cowl	3
Decals - Top Cowl	5
Lower Cowl	7
Electrical Components	9
Flywheel	13
Ignition Coil Mounting	15
Throttle Linkage Standard Tiller	17
Throttle Linkage Remote	19
Throttle Linkage Jet	21
Throttle Linkage Big Tiller	23
Shift Linkage Standard Tiller	25
Shift Linkage Remote	27
Shift Linkage Big Tiller	29
Fuel Pump	31
Fuel Lines	33
Vapor Separator	35
Intake Manifold	37
Intake/Exhaust Valves	39
Cylinder Block and Crankcase	41
Cylinder Head	43
Camshaft and Oil Pump	45
Crankshaft, Pistons and Connecting Rods	47
Adapter Plate	49
Tiller Handle Cover and Electrical (Mid Mount)	51
Tiller Handle Cover and Electrical (Mid Mount SeaPro)	55
Tiller Handle Shift and Throttle Components (Mid Mount)	59
Tiller Handle Rear Bracket Assembly (Mid Mount)	61
Tiller Handle Kit Components (Mid Mount)	63
Tiller Handle Kit Components (Mid Mount SeaPro)	65
Tiller Handle Kit Components (Mid Mount Jet 35/40)	67
Tiller Handle Kit (Big Tiller-Manual)	69
Tiller Handle Kit Components (Big Tiller-Manual)	73
Tiller Handle Kit (Jet 35/40)	75
Tiller Handle Kit Components (Jet 35/40)	79
Heated Grip	83
Steering Arm	85
Swivel Bracket	87

# TABLE OF CONTENTS

Transom Bracket.....	89
Driveshaft Housing.....	93
Gear Housing Driveshaft - 1.83:1 Gear Ratio.....	95
Gear Housing Propeller Shaft - 1.83:1 Gear Ratio.....	99
Gear Housing Driveshaft - 2.33:1 Gear Ratio.....	103
Gear Housing Propeller Shaft - 2.33:1 Gear Ratio.....	109
Jet Unit.....	113
Jet Water Pump Components.....	115
Manual Tilt Components.....	117
Power Trim.....	119
Trim Switch Kit.....	121
Extension Kit Driveshaft Housing 12092A20 - Command Thrust.....	123
Tools 1.....	125
Tools 2.....	127
Tools 3.....	129
Powerhead Gasket Set Components.....	131
Accessories.....	133
Key, Choke and Horn Kit 15000A14.....	137
Extension Kit - 5 Inch Driveshaft Housing (12092A20).....	139
Extension Kit - 2.5 Inch Driveshaft Housing (879150A88).....	141
Tachometer Kits Transom and Helm Mount.....	143
Water Separator Fuel Filter Kit Without WIF Sensor-SeaPro.....	145
Maintenance Kits.....	147





Cat.# 90-8M0118807

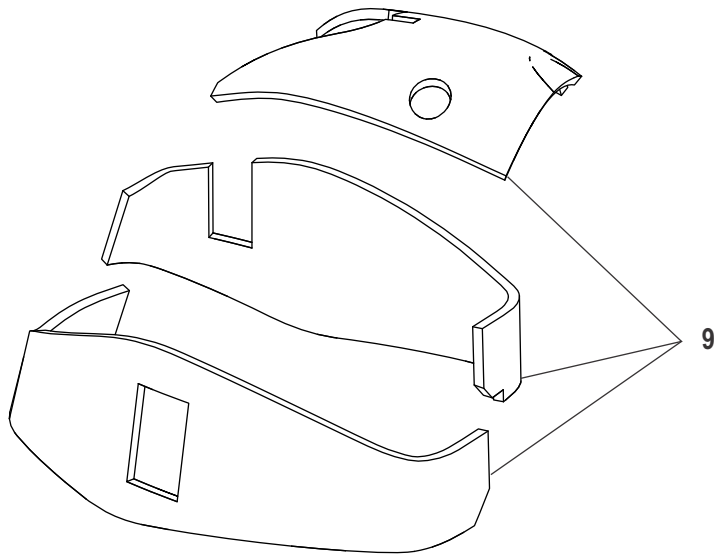
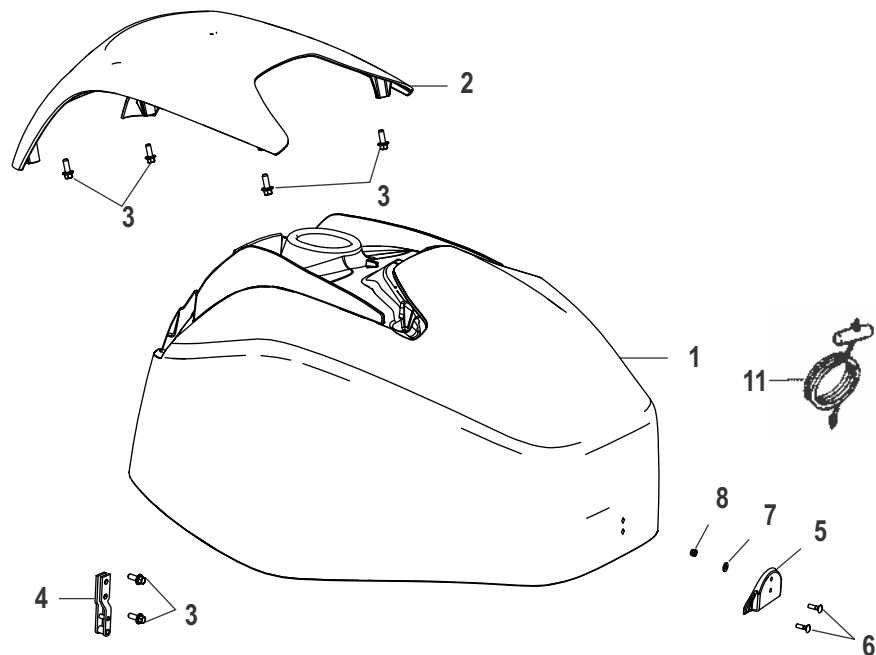
## Service/Support Material

Ref #	Part Class	Part Number	Description	Comments	Qty	Note
-	0090	8M0118807	PARTS MANUAL 35-40 Jet/40/50/60 EFI SeaPro - 4 Stroke 4 Cylinder		1	
-	0090	8M0105570	SERVICE MANUAL 40/50/60 40 Jet EFI 4 Stroke		1	
-	0090	8M0118485	OPERATION MANUAL 40/50/60 4 Stroke		1	
-	0090	8M0118486	OPERATION MANUAL 40/50/60 CT 4 Stroke		1	
-	0090	8M0118487	OPERATION MANUAL 40 Jet 4 Stroke		1	
-		NSS	NOT SOLD SEPARATE DECAL, EPA (2009 & Up)	(Contact Mercury Marine Warranty Administration for Replacement-Service Bulletin 2009-18)	1	[1]

**PART NOTES:**

[1] - IMPORTANT INFORMATION: REPLACE ANY MISSING OR UNREADABLE EPA LABEL

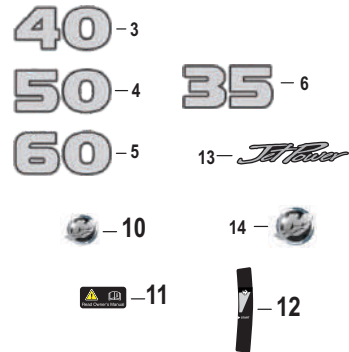
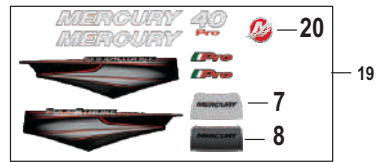
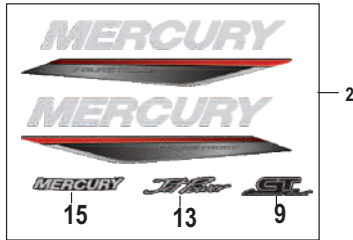
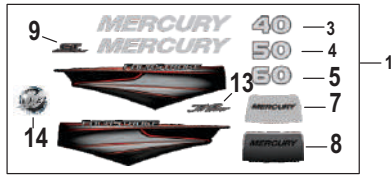
# Top Cowl



## Top Cowl

Ref #	Part Class	Part Number	Description	Comments	Qty	Note
1	0100	8M0118165	TOP COWL ASSEMBLY Mercury, Non Decaled		1	
1	0100	8M0118167	TOP COWL ASSEMBLY Mariner, Non Decaled		1	
2	0000	8M0118170	CAP Air Dam - Mercury	Comes with Decal	1	
2	0000	8M0118172	CAP Air Dam - Mariner	Comes with Decal	1	
3	0010	8M0103805	SCREW (M6 x 16MM) Stainless Steel		6	
4	0000	8M0006055	BRACKET Rear Latch		1	
5	0000	826291T02	BRACKET Front Latch		1	
6	0010	8231871	SCREW (M4 x 14.5)		2	
7	0012	89302	WASHER (.203 x .406 x .040)		2	
8	0011	400632	NUT		2	
9	0000	834786A05	SOUND BLANKET KIT		1	
10	0000	8M0109278	SEAL		1	
-	0000	47341A11	ROPE AND HANDLE KIT Manual Starting		1	

Decals - Top Cowl

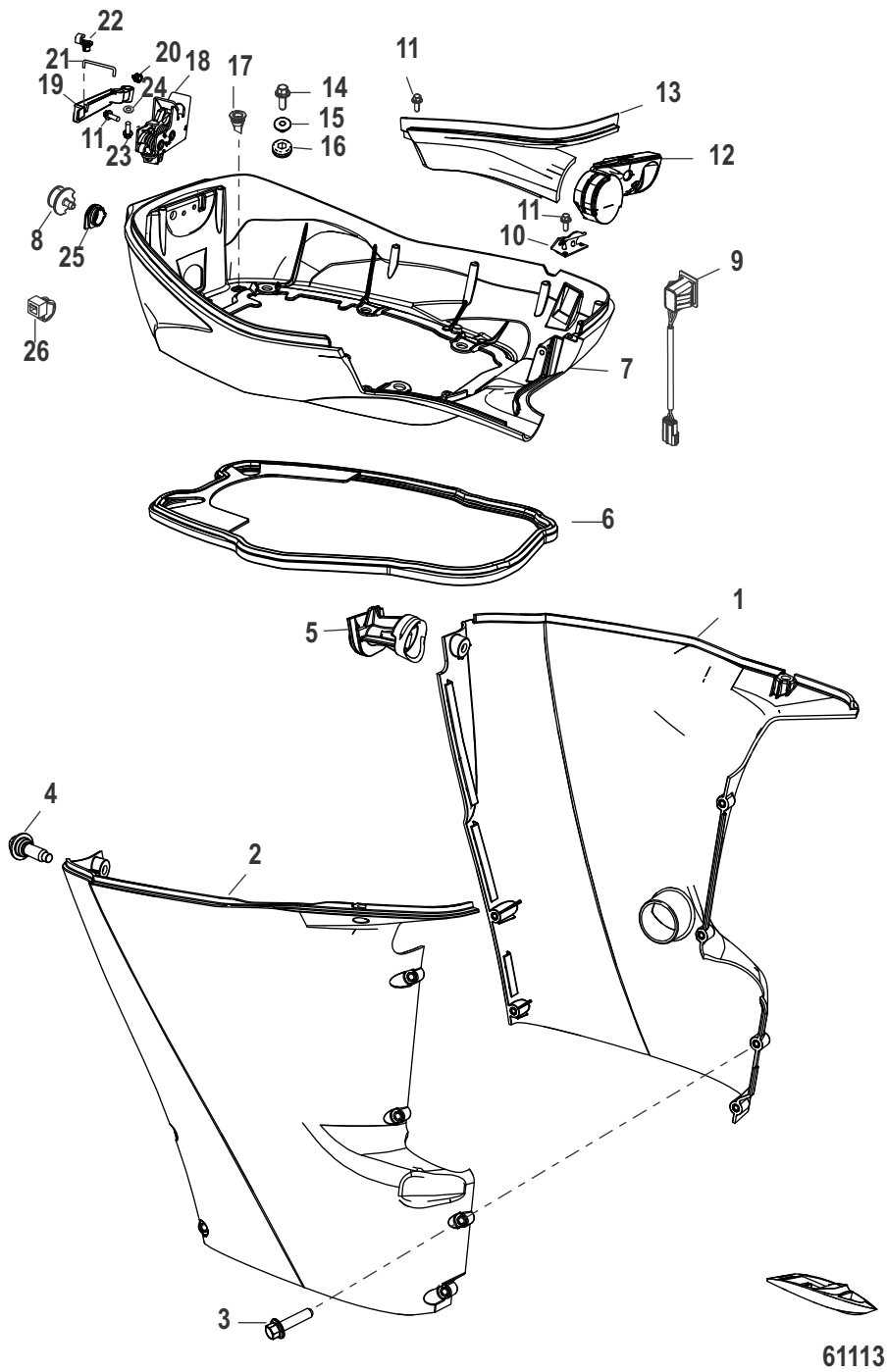


69052

## Decals - Top Cowl

Ref #	Part Class	Part Number	Description	Comments	Qty	Note
1	0037	8M0107467	DECAL SET ME 40-60HP 4S 4CYL	[1C453840] THRU [1C573809]	1	
2	0037	8M0156747	DECAL SET ME 30-60 HP 4S	[1C573810] & Up	1	
3	0037	8M0063348	DECAL Rear, 40		1	
4	0037	8M0063349	DECAL Rear - 50		1	
5	0037	8M0063350	DECAL Rear - 60		1	
6	0037	8M0154663	DECAL Rear, 35		1	
7	0037	8M0063345	DECAL Lenz		1	
8	0037	8M0063358	DECAL Lenz		1	
9	0037	8M0088310	DECAL Command Thrust		1	
10	0037	8M0043701	M-ICON 39MM - Small		1	
11	0037	8M0056643	DECAL Read Manual		1	
12	0037	8M0105187	DECAL Tiller Handle		1	
13	0037	8M0063354	DECAL Jet Drive		1	
14	0037	8M0043702	DECAL M-Icon, 53mm Black		1	
15	0037	8M0159886	DECAL Lenz, Mercury		1	
16	0037	8M0118181	DECAL SET Mercury, SeaPro		1	
17	0037	8M0063348	DECAL Rear, 40	SeaPro	1	
18	0037	8M0063350	DECAL Rear - 60	SeaPro	1	
19	0037	8M0118535	DECAL SET Mercury 40 Pro	Italy Pro	1	
20	0037	8M0043707	DECAL M-Icon, 53mm Red		1	
21	0037	8M0098299	DECAL SET MA 40EFI 4CYL 4S		1	
22	0037	8M0012388	DECAL Rear, 40		1	
23	0037	8M0098300	DECAL SET MA 50EFI 4CYL 4S		1	
24	0037	8M0012389	DECAL Rear - 50		1	
25	0037	8M0098301	DECAL SET MA 60EFI 4CYL 4S		1	
26	0037	8M0012390	DECAL Rear - 60		1	
27	0037	8M0109251	DECAL Lenz, Mariner		1	

# Lower Cowl



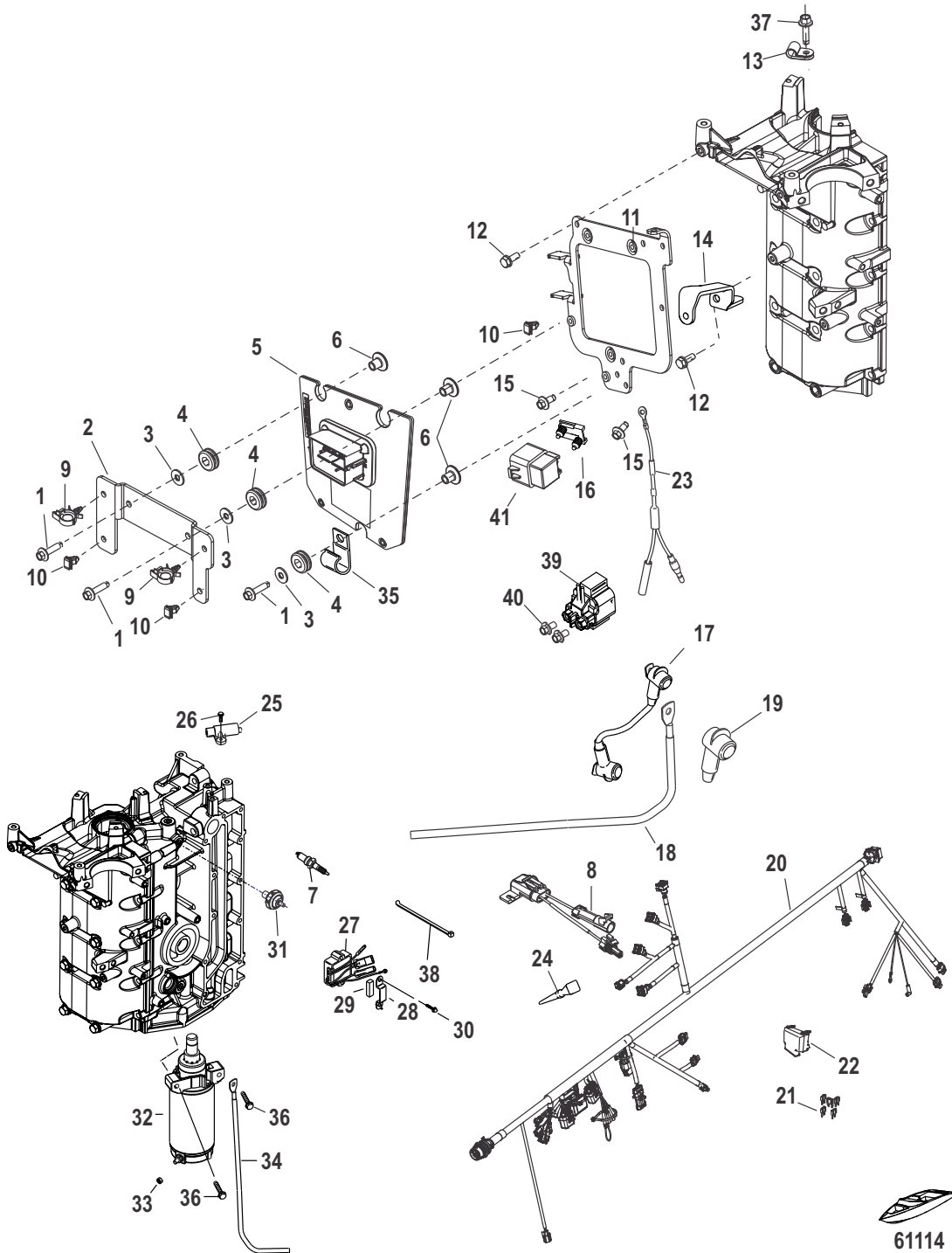
## Lower Cowl

Ref #	Part Class	Part Number	Description	Comments	Qty	Note
1	4020	826277T04	CHAP Long - Port		1	
1	4020	852554T03	CHAP Short - Port	Jet	1	
2	4020	826278T08	CHAP Long - Starboard		1	
2	4020	852555T06	CHAP Short - Starboard	Jet	1	
3	0010	8M0022324	SCREW (M6 x 25 MM)	Quantity of 4 on Jet	6	
4	0010	892073002	SHOULDER SCREW (M6)		4	
5	0000	8M0109713	BOOT Idle Exhaust		1	
6	0000	8M0026035	SEAL		1	
7	0000	889246T99	PAN		1	
8	0022	827948	FITTING		1	
9	0087	8M0042300	SWITCH Trim		1	
10	0000	8M4501716	HOOK		1	
11	0010	8M0103806	SCREW (M6 x 20 MM) Stainless Steel		5	
12	0000	8M4502035	GROMMET		1	[1]
13	0000	879147T24	CAP		1	
14	0010	8M0103807	SCREW (M6 x 25 MM) Stainless Steel		6	
15	0023	856954	BUSHING		6	
16	0025	8M0025696	GROMMET		6	
17	0000	888819002	DRAIN Cowl		2	
18	0000	822426T03	LATCH ASSEMBLY Rear		1	
19		NSS	NOT SOLD SEPARATE Handle-Rear Latch		1	
20	0000	8M0006060	SEAL		1	
21	0000	8M0006062	LINK		1	
22	0000	8M0006054	RETAINER		1	
23	0010	88552514	SCREW (M6 x 14 MM) Stainless Steel		1	
24	0012	897936	WASHER		1	
25	0025	8M0021912	GROMMET		1	
26	0054	850181	TIE STRAP (11.750 Inches)		AR	
-	0000	880093A03	TILLER HANDLE CONVERSION KIT 40/50/60 HP EFI		1	

## PART NOTES:

[1] - COMPONENT OF TILLER HANDLE KIT 880093A03

# Electrical Components

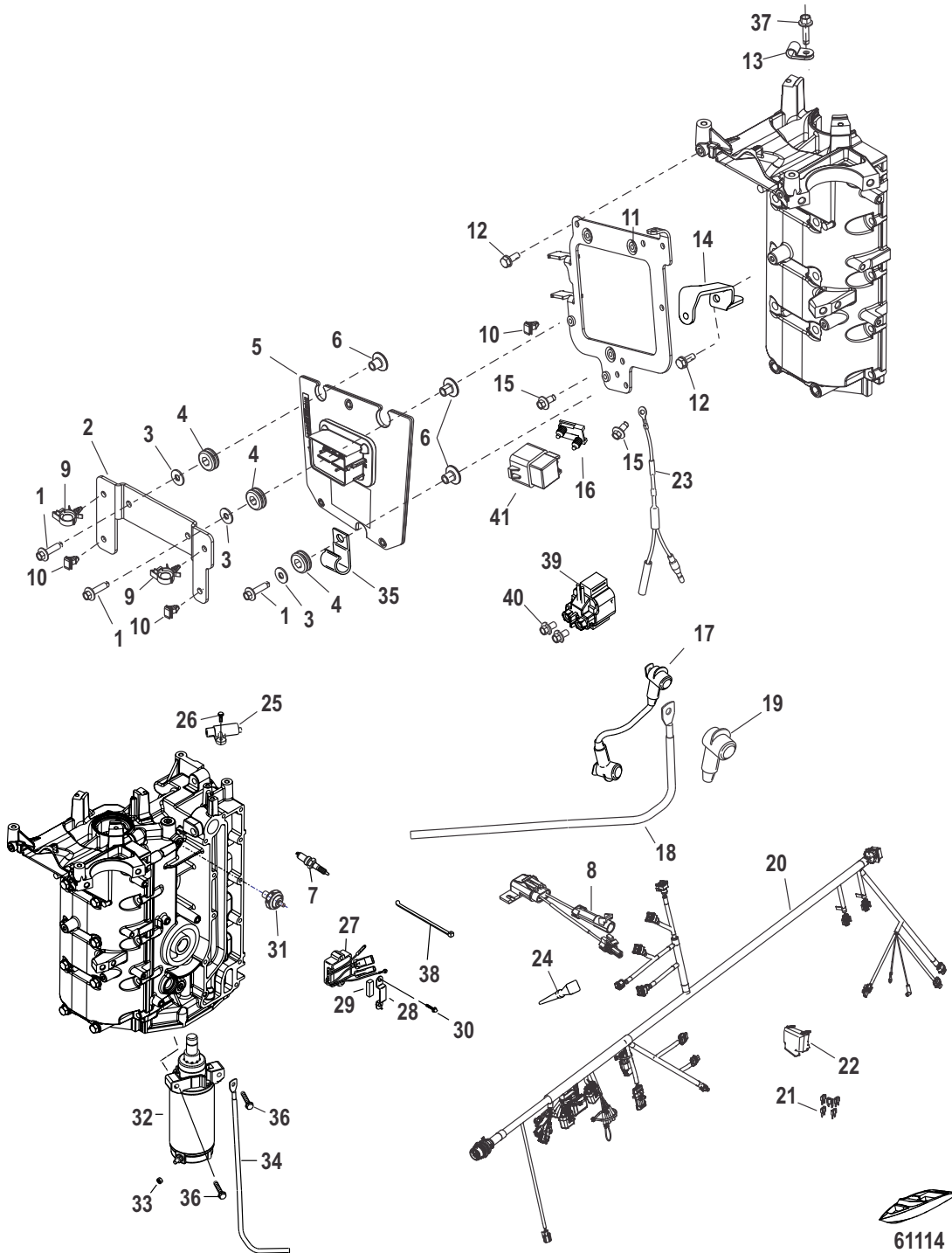




## Electrical Components

Ref #	Part Class	Part Number	Description	Comments	Qty	Note
1	0010	82129125	SCREW (M6 x 25 MM)		3	
2	0000	893774002	BRACKET		1	
3	0012	4002316	WASHER (6.60 X 17.0 X 1.5SS)		3	
4	0025	834985	GROMMET		3	
5		8M0168148	ECM Engine Control Module - 35 HP 4 cyl Jet		1	
5	0078	8M0120422	ECM Engine Control Module - 40 HP 4 Cyl		1	
5	0078	8M0120423	ECM Engine Control Module - 40 HP 4 Cyl Jet		1	
5	0078	8M0120418	ECM Engine Control Module - 40 HP 4 Cyl SeaPro		1	
5	0078	8M0120421	ECM Engine Control Module - 50 HP 4 Cyl		1	
5	0078	8M0120419	ECM Engine Control Module - 60 HP 4 Cyl		1	
5	0078	8M0120417	ECM Engine Control Module - 60 HP 4 Cyl SeaPro		1	
6	0023	856954	BUSHING		3	
7	0033	883323001	SPARK PLUG		4	
8	0084	897940T01	HARNESS ASSEMBLY Fuse		1	
9	0054	858954	CLIP (.625)		2	
10	0054	879962	CLIP Part of Electrical Harness		3	
11	0000	8M0118185	PLATE		1	
12	0010	8248324	SCREW (M6 x 16)		3	
13	0054	24836	CLIP		1	
14	0000	8M0107175	BRACE		1	
15	0010	82129114	SCREW (M6 x 14)		2	
16	0000	8M6001733	CLIP - RELAY, DOUBLE NAIL		1	
17	0084	93388A16	CABLE ASSEMBLY (8.50 Inches)		1	
18	0084	88439A9	CABLE ASSEMBLY Battery - Positive		1	
19	0085	880786	BOOT Insulator - Red		1	
20	0084	8M0118192	HARNESS ASSEMBLY Engine, 4 Cyl		1	
21	0088	832969T20	FUSE Mini - Yellow - 20 Ampere		3	
21	0088	832969T25	FUSE Mini - Clear - 25 Ampere		1	
21	0088	832969T05	FUSE Mini - Tan - 5 Ampere		1	
21	0088	832969T15	FUSE Mini - Blue - 15 Ampere		1	
22	0000	8M0045270	COVER		1	
23	0084	883834T01	CABLE ASSEMBLY Diode		1	
24	0000	13541	PLUG Male		1	
25	0000	8M0082988	SENSOR Crankshaft Position		1	
26	0010	40011107	SCREW (M5 x 16) Stainless Steel		2	
27	0000	893640T01	REGULATOR Voltage		1	
28	0000	893771	BRACKET Connector		1	
29	0000	8308971	FOAM PAD		1	
30	0010	8248329	SCREW (M6 x 40)		2	

# Electrical Components



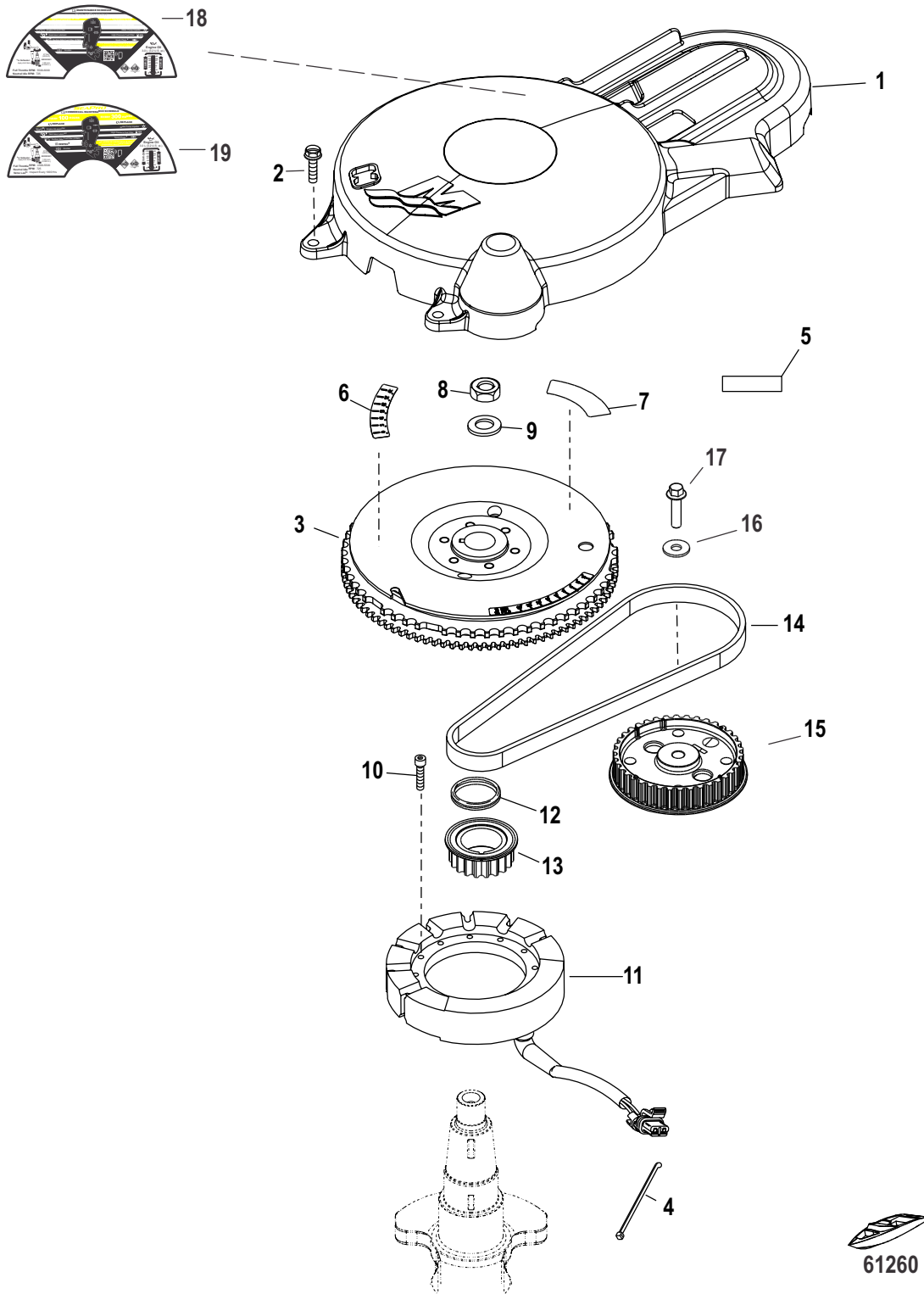
## Electrical Components

Ref #	Part Class	Part Number	Description	Comments	Qty	Note
31	0087	8M0098207	SWITCH Oil Pressure		1	[1]
32	0050	893888T	STARTER MOTOR ASSEMBLY Complete		1	
33	0011	94330	NUT (.250-20) Brass		1	
34	0084	88439A4	CABLE ASSEMBLY Battery - Negative		1	
35	0054	65292	J CLIP		1	
36	0010	40011153	SCREW (M8 x 45) Stainless Steel		3	
37	0010	82239312	SCREW (M5 x 12)		1	
38	0054	816311T	TIE STRAP (8.00 Inches)		AR	
39	0089	8M0098898	RELAY		1	
40	0010	8M0085874	SCREW		2	
41	0000	882751A1	RELAY ASSEMBLY		1	
-	0037	8272822	DECAL Warning High Voltage		1	
-	0061	893678T03	POWERHEAD ASSEMBLY		1	

## PART NOTES:

[1] - COMPONENT OF POWERHEAD/PARTIAL ENGINE 893678T03

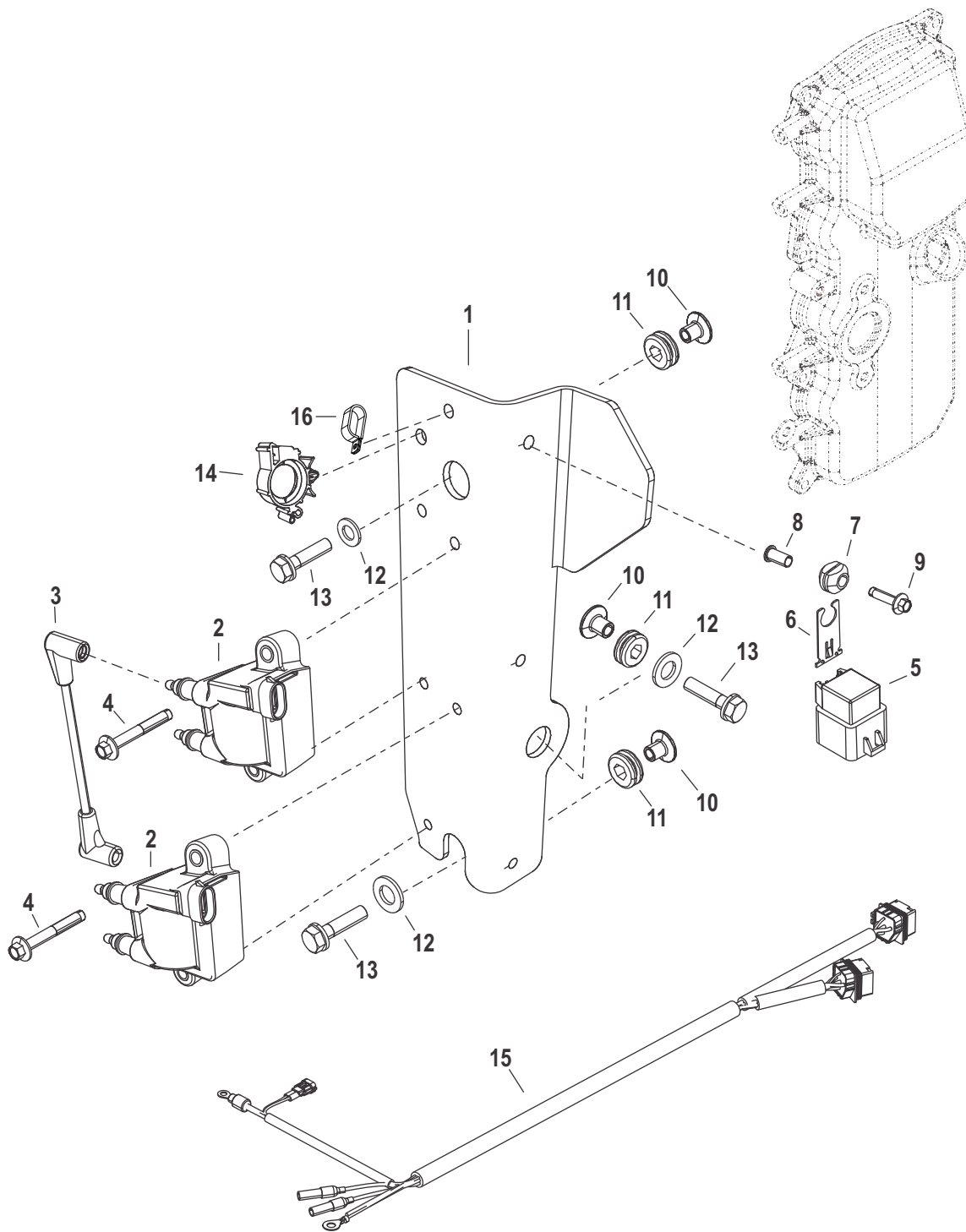
# Flywheel



## Flywheel

Ref #	Part Class	Part Number	Description	Comments	Qty	Note
1	0000	859284T2	FLYWHEEL COVER		1	
2	0010	8248326	SCREW (M6 x 25 MM)		4	
3	0200	8M0118173	FLYWHEEL ASSEMBLY		1	
4	0054	816311T	TIE STRAP (8.00 Inches)		1	
5		NSS	NOT SOLD SEPARATE Decal-Warning Spinning Flywheel		1	
6		NSS	NOT SOLD SEPARATE Decal-Timing Marks		1	
7		NSS	NOT SOLD SEPARATE Decal-Warning-Neutral		1	
8	0011	893789	NUT		1	
9	0012	893762	WASHER (18 X 36 X 3)		1	
10	0010	4013930	SCREW (M5 x 30)		3	
11	0398	878143T05	STATOR		1	
12	0000	834838	LOAD RING		1	
13	0000	833102T	GEAR Drive		1	
14	0057	8M0065179	TIMING BELT		1	
15	0000	833104T6	GEAR Driven		1	
16	0010	82761140	SCREW (M10 x 40)		1	
17	0012	4002320	WASHER		1	
18	0037	8M0107997	DECAL Maintenance Schedule EFI REC		1	
19	0037	8M0105255	DECAL Maintenance Schedule	SeaPro Only	1	

# Ignition Coil Mounting

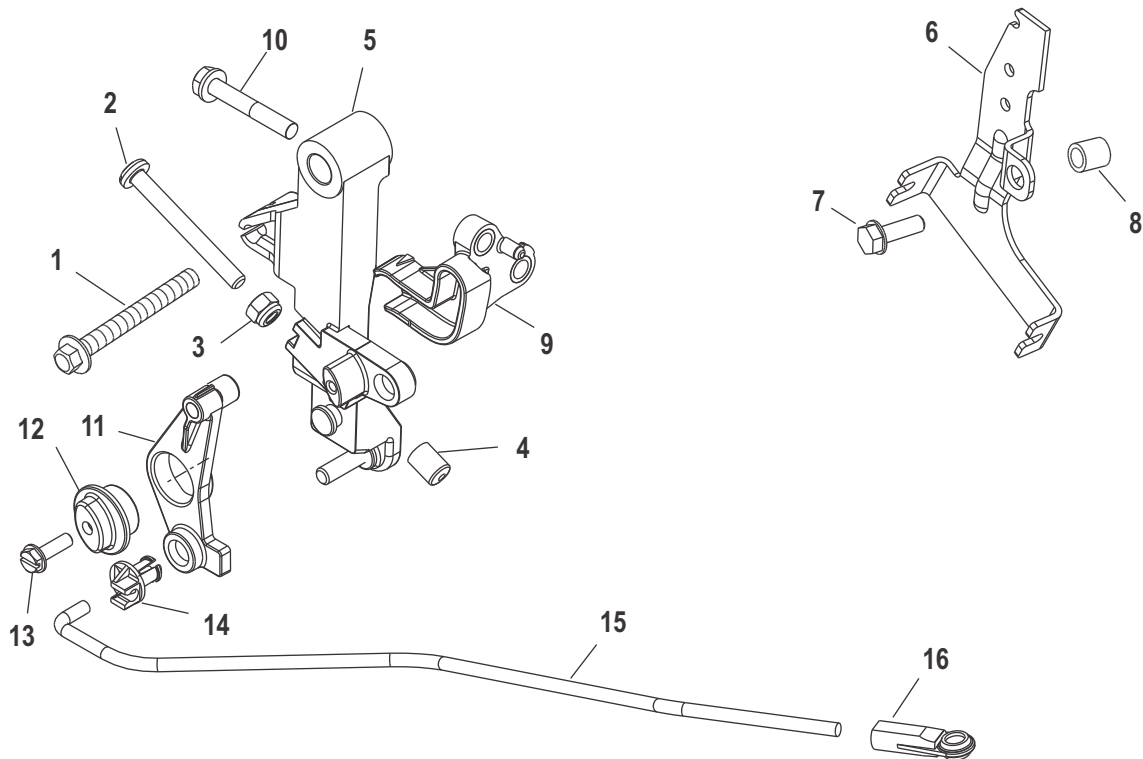


61263

## Ignition Coil Mounting

Ref #	Part Class	Part Number	Description	Comments	Qty	Note
1	0000	8M0044994	COIL PLATE		1	
2	0300	8M0044991	IGNITION COIL Ignition Dual Output		2	
3	0084	881908T	CABLE SET		1	
4	0010	82129130	SCREW (M6 x 30)		4	
5	0000	882751A1	RELAY ASSEMBLY		2	
6	0000	828102	BRACKET		1	
7	0025	818967	GROMMET		1	
8	0023	818968	BUSHING		1	
9	0010	82129125	SCREW (M6 x 25 MM)		2	
10	0023	856954	BUSHING		3	
11	0025	834985	GROMMET		3	
12	0010	88552525	SCREW (M6 x 25 MM) Stainless Steel		3	
13	0012	4002316	WASHER (6.60 X 17.0 X 1.5SS)		3	
14	0054	898454	CLIP (19 mm)		1	
15	0084	826802T36	HARNESS ASSEMBLY Trim		1	
16	0054	8M0108769	CLIP		1	

# Throttle Linkage Standard Tiller



28875



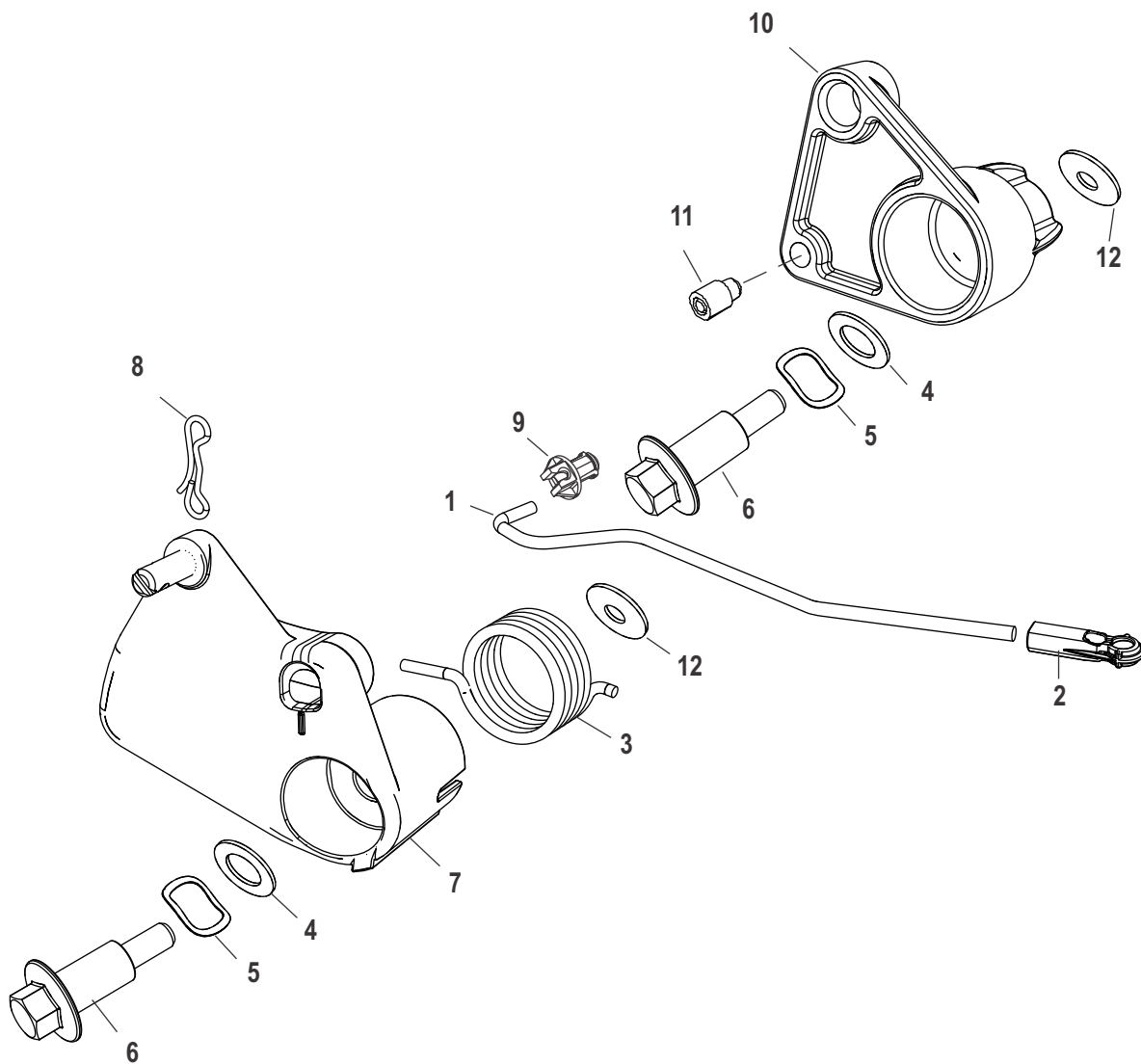
## Throttle Linkage Standard Tiller

Ref #	Part Class	Part Number	Description	Comments	Qty	Note
1	0010	4010770	SCREW (M8 x 70)		1	[1]
2	0010	8147763	SCREW (M6 x 60)		1	[1]
3	0011	401196	NUT (M6)		1	[1]
4	0000	42942	CAP		1	[1]
5	0000	822682A4	LEVER ASSEMBLY Throttle		1	[1]
6	0000	830294T3	BRACKET		1	[1]
7	0010	8M4503518	SCREW (M6 X 1.0 X 20)		2	[1]
8	0023	825078	BUSHING		1	[1]
9	0000	879865	CAM Throttle		1	[1]
10	0010	8248329	SCREW (M6 x 40)		2	[1]
11	0000	883006A1	ARM ASSEMBLY Throttle		1	[1]
12	0023	883005	BUSHING		1	[1]
13	0010	8214281	SCREW (#10-16 x .625)		1	[1]
14	0023	932481	BUSHING		1	[1]
15	0000	893775A01	LINK ASSEMBLY Throttle		1	[1]
16	0000	19384	SOCKET		1	[1]
-	0000	880093A03	TILLER HANDLE CONVERSION KIT 40/50/60 HP EFI		1	

## PART NOTES:

[1] - COMPONENT OF TILLER HANDLE KIT 880093A03

# Throttle Linkage Remote

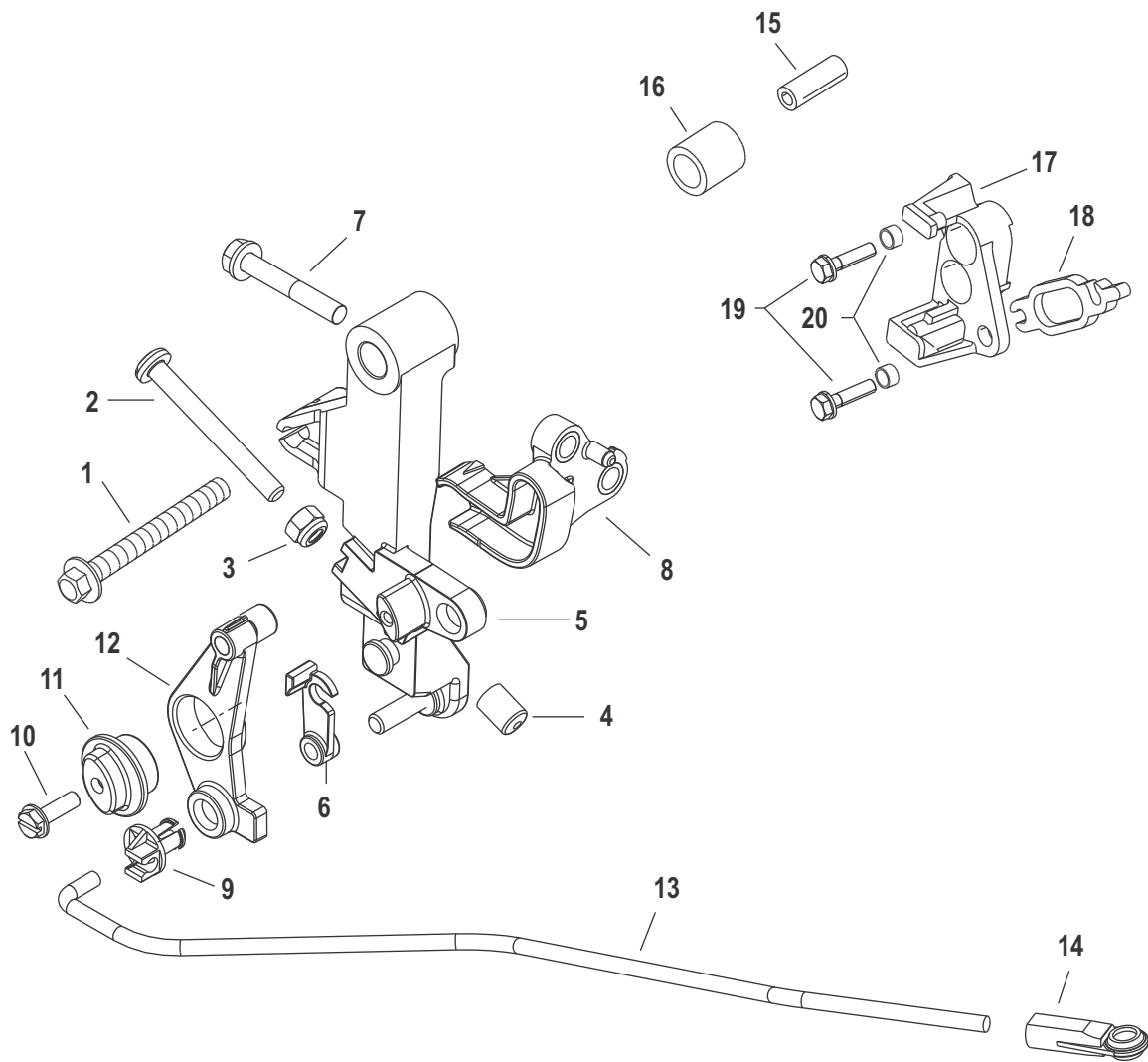


32532

**Throttle Linkage Remote**

<b>Ref #</b>	<b>Part Class</b>	<b>Part Number</b>	<b>Description</b>	<b>Comments</b>	<b>Qty</b>	<b>Note</b>
1	0000	8M0006021	LINK ASSEMBLY Throttle		1	
2	0000	19384	SOCKET		1	
3	0024	897535005	SPRING Throttle Cam Return		1	
4	0012	897937	WASHER		2	
5	0013	898093	WASHER Wave		2	
6	0010	8M0071815	BOLT Shoulder, Throttle Lever		2	
7	0000	8M0021603	CAM Throttle		1	
8	0000	8M0001157	PIN Bow Tie Clip		1	
9	0023	932481	BUSHING		1	
10	0000	8M0008317	FOLLOWER Cam		1	
11	0000	8M0037159	ROLLER		1	
12	0012	897936	WASHER		2	

# Throttle Linkage Jet

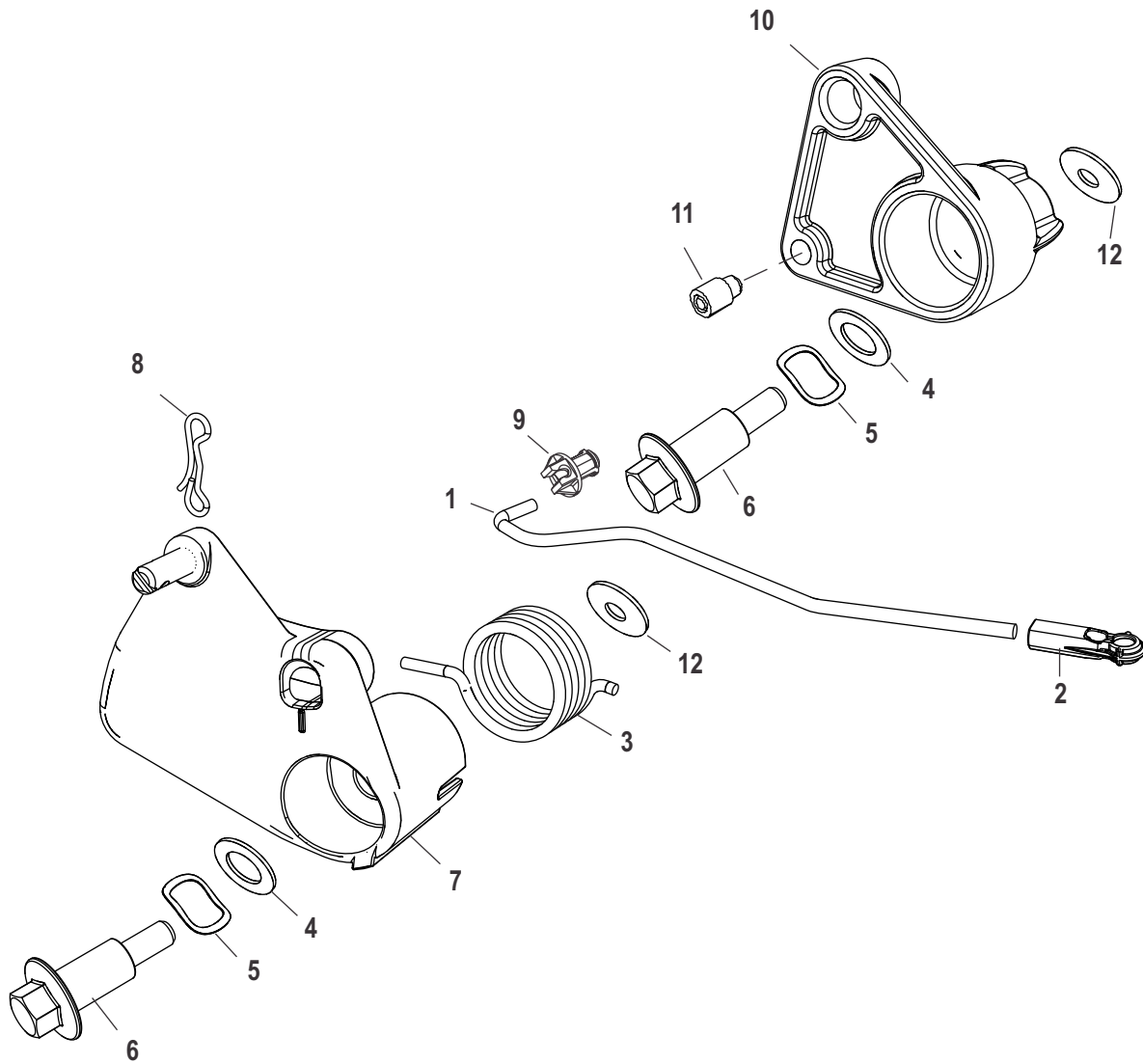


31918

## Throttle Linkage Jet

Ref #	Part Class	Part Number	Description	Comments	Qty	Note
1	0010	4010770	SCREW (M8 x 70)		1	
2	0010	8147763	SCREW (M6 x 60)		1	
3	0011	401196	NUT (M6)		1	
4	0000	42942	CAP		1	
5	0000	822682A4	LEVER ASSEMBLY Throttle		1	
6	0000	883160	RETAINER		1	
7	0010	8248329	SCREW (M6 x 40)		2	
8	0000	879865	CAM Throttle		1	
9	0023	932481	BUSHING		1	
10	0010	8214281	SCREW (#10-16 x .625)		1	
11	0023	883005	BUSHING		1	
12	0000	883006A1	ARM ASSEMBLY Throttle		1	
13	0000	893780A01	LINK ASSEMBLY Throttle		1	
14	0000	19384	SOCKET		1	
15	0023	825078	BUSHING		1	
16	0000	8M0007035	SPACER (1.49 x 22 x 24)		1	
17	0000	827706A4	BRACKET		1	
18	0000	98889	LATCH		1	
19	0010	8248324	SCREW (M6 x 16)		2	
20	0023	15885	SLEEVE		2	

# Throttle Linkage Big Tiller

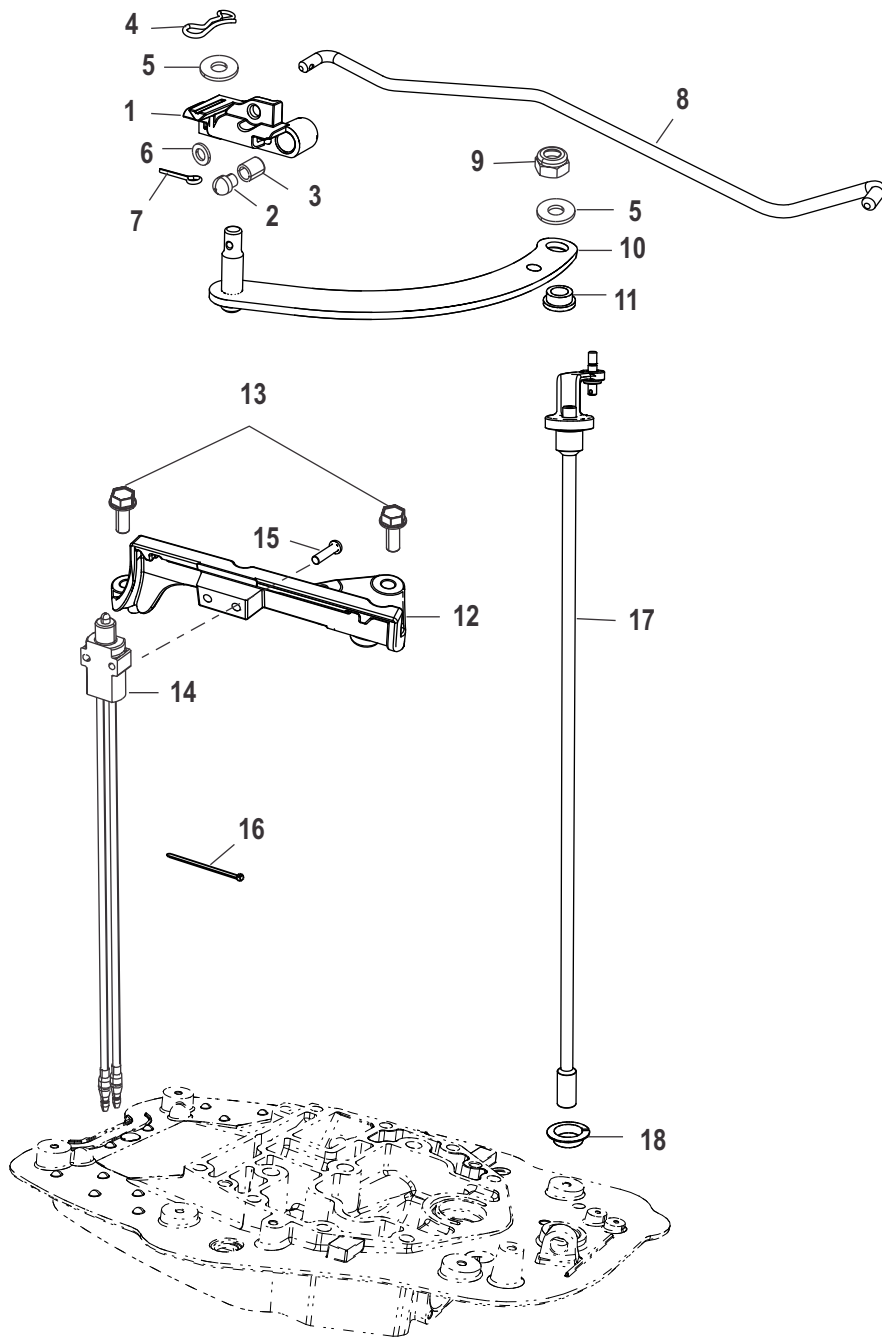


32532

## Throttle Linkage Big Tiller

Ref #	Part Class	Part Number	Description	Comments	Qty	Note
1	0000	8M0006021	LINK ASSEMBLY Throttle		1	
2	0000	19384	SOCKET		1	
3	0024	897535005	SPRING Throttle Cam Return		1	
4	0012	897937	WASHER		2	
5	0013	898093	WASHER Wave		2	
6	0010	8M0071815	BOLT Shoulder, Throttle Lever		2	
7	0000	8M0021603	CAM Throttle		1	
8	0000	8M0001157	PIN Bow Tie Clip		1	
9	0023	932481	BUSHING		1	
10	0000	8M0008317	FOLLOWER Cam		1	
11	0000	8M0037159	ROLLER		1	
12	0012	897936	WASHER		2	

# Shift Linkage Standard Tiller



51452



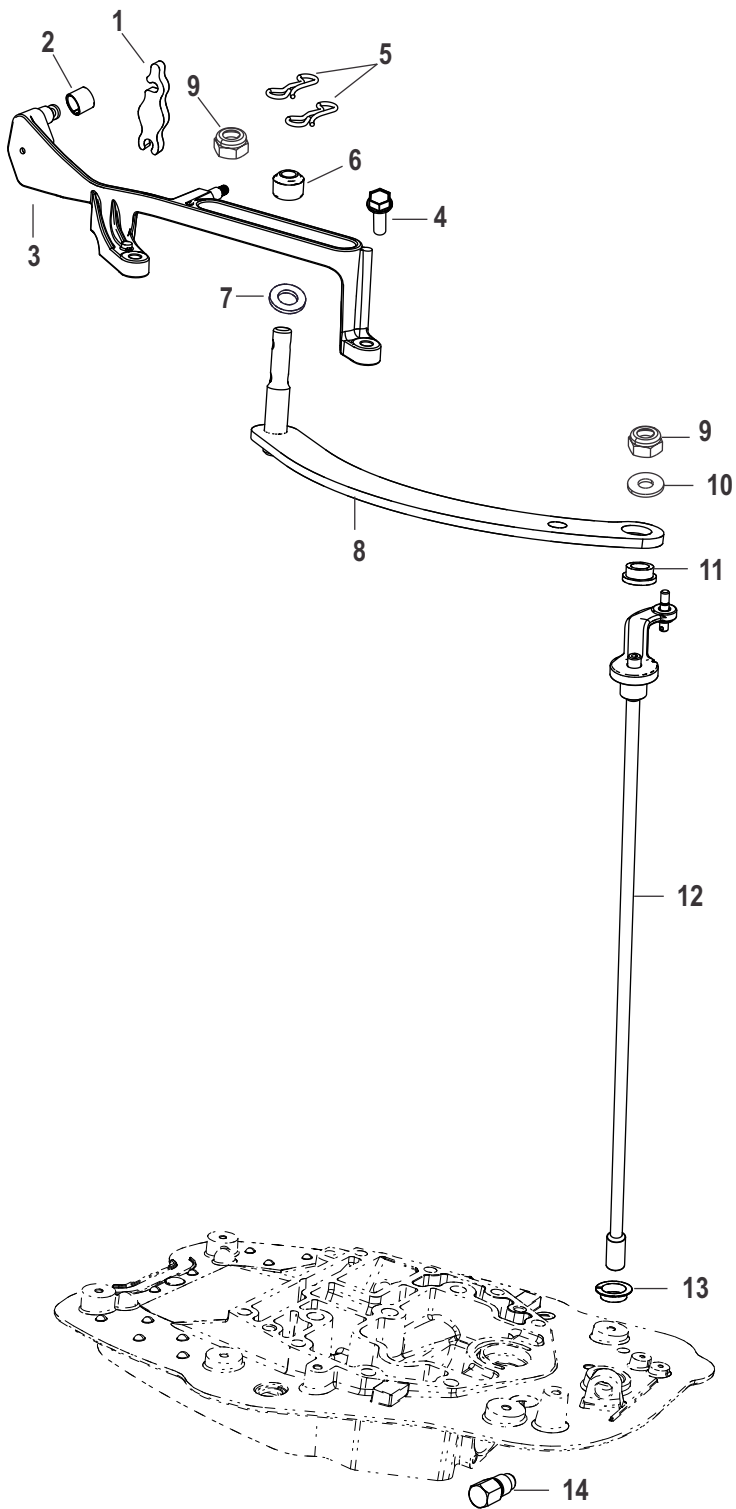
## Shift Linkage Standard Tiller

Ref #	Part Class	Part Number	Description	Comments	Qty	Note
1	0000	8M0032129	SLIDE Shift		1	[1]
2	0000	8M0075211	DETENT/SPRING KIT		1	[1]
3		NSS	NOT SOLD SEPARATE Spring-Compression, Detent		1	[1]
4	0000	8M0001157	PIN Bow Tie Clip		1	
5	0012	35462	WASHER (.2656 x .625 x .0625) Stainless Steel		2	[1]
6	0012	29245	WASHER (.281 x .500 x .060) Stainless Steel		1	[1]
7	0018	210711	COTTER PIN		1	[1]
8	0000	8M0005914	ROD Shift		1	[1]
9	0011	401386	NUT (M6) Stainless Steel		1	[1]
10	0000	8M0007151	LINK Shift		1	[1]
11	0023	892263	BUSHING		1	
12	0000	898289T33	BRACKET		1	
13	0010	1993720	SCREW (M6 x 20)		2	
14	0087	8M0052940	SWITCH ASSEMBLY		1	[1]
15	0010	69570	SCREW (#10-16 x .750)		2	[1]
16	0000	56762	TIE STRAP (4.00 Inches)		1	
17	0000	8M0091612	SHIFT SHAFT Upper - Long		1	
18	0023	74647	NYLINER		1	
-	0000	880093A03	TILLER HANDLE CONVERSION KIT 40/50/60 HP EFI		1	

## PART NOTES:

[1] - COMPONENT OF TILLER HANDLE KIT 880093A03

# Shift Linkage Remote

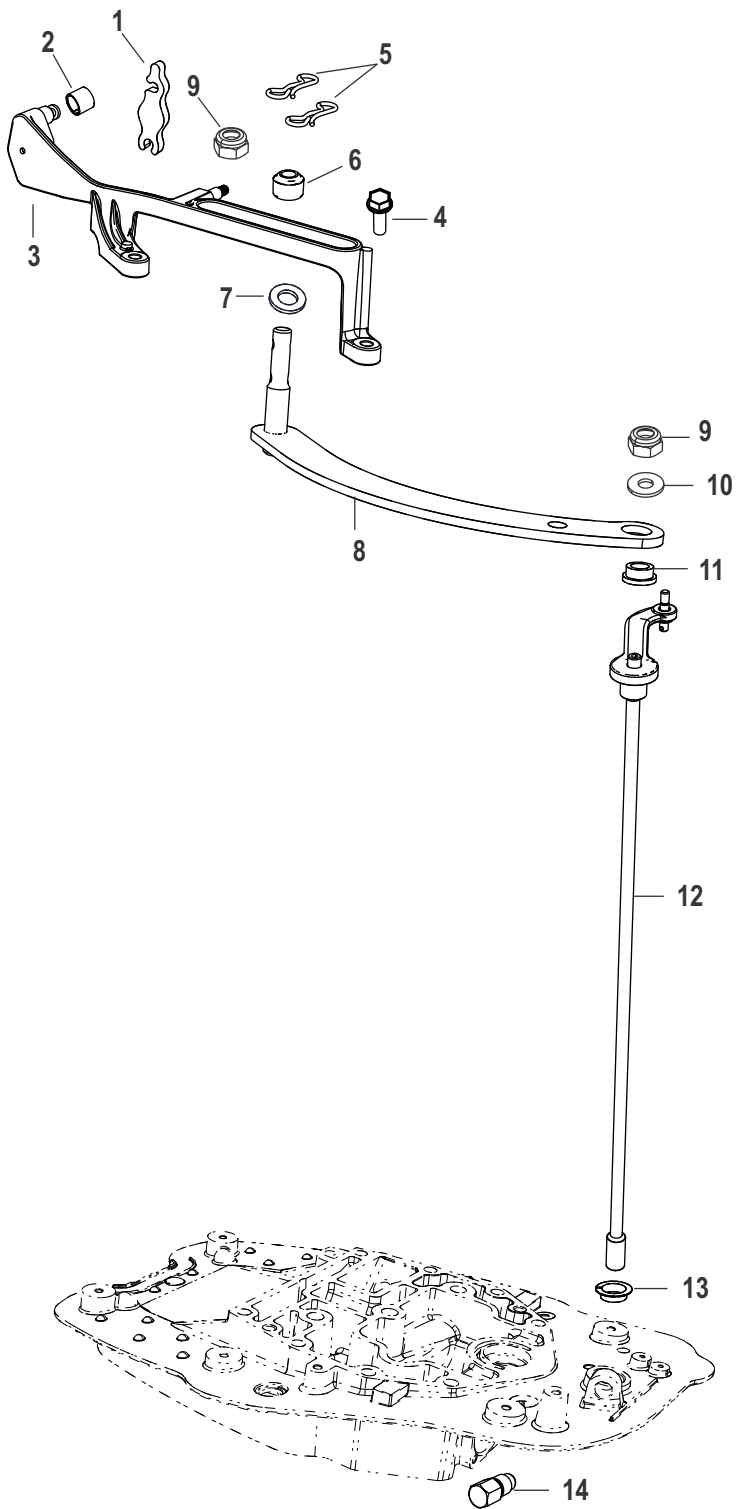


28957

## Shift Linkage Remote

Ref #	Part Class	Part Number	Description	Comments	Qty	Note
1	0000	899044	LATCH		1	
2	0000	824015	CUP Barrel Retainer		1	
3	0000	8M0007243	BRACKET		1	
4	0010	1993720	SCREW (M6 x 20)		2	
5	0000	8M0001157	PIN Bow Tie Clip		2	
6	0000	899042	ROLLER		1	
7	0012	888832	WASHER		1	
8	0000	899041	LINK Shift		1	
9	0011	401386	NUT (M6) Stainless Steel		2	
10	0012	35462	WASHER (.2656 x .625 x .0625) Stainless Steel		2	
11	0023	892263	BUSHING		1	
12	0000	8M0091612	SHIFT SHAFT Upper - Long		1	
13	0023	74647	NYLINER		1	
14	0000	888823001	SHIFT DETENT ASSEMBLY		1	

# Shift Linkage Big Tiller

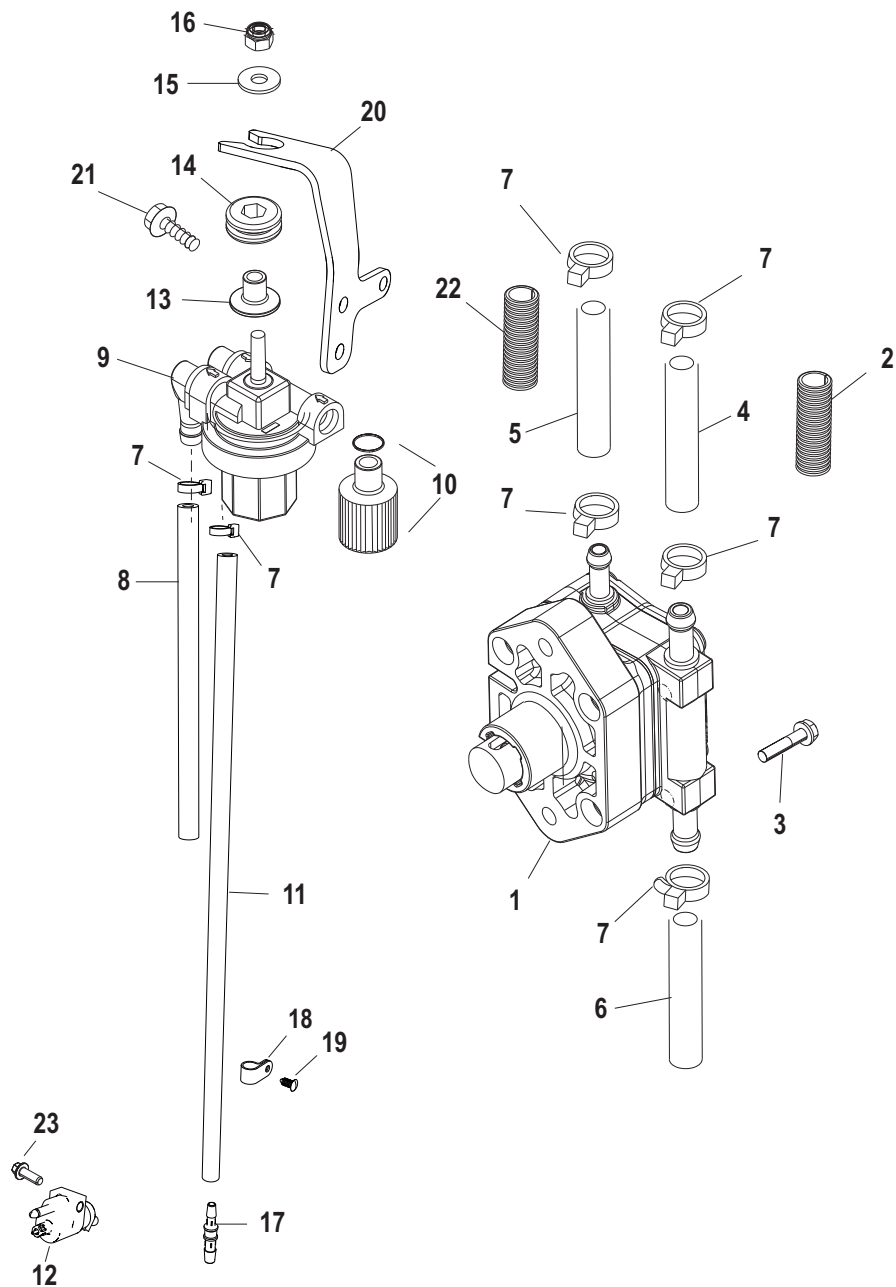


28957

## Shift Linkage Big Tiller

Ref #	Part Class	Part Number	Description	Comments	Qty	Note
1	0000	899044	LATCH		1	
2	0000	824015	CUP Barrel Retainer		1	
3	0000	8M0007243	BRACKET		1	
4	0010	1993720	SCREW (M6 x 20)		2	
5	0000	8M0001157	PIN Bow Tie Clip		2	
6	0000	899042	ROLLER		1	
7	0012	888832	WASHER		1	
8	0000	899041	LINK Shift		1	
9	0011	401386	NUT (M6) Stainless Steel		2	
10	0012	35462	WASHER (.2656 x .625 x .0625) Stainless Steel		2	
11	0023	892263	BUSHING		1	
12	0000	8M0091612	SHIFT SHAFT Upper - Long		1	
13	0023	74647	NYLINER		1	
14	0000	888823001	SHIFT DETENT ASSEMBLY		1	

# Fuel Pump

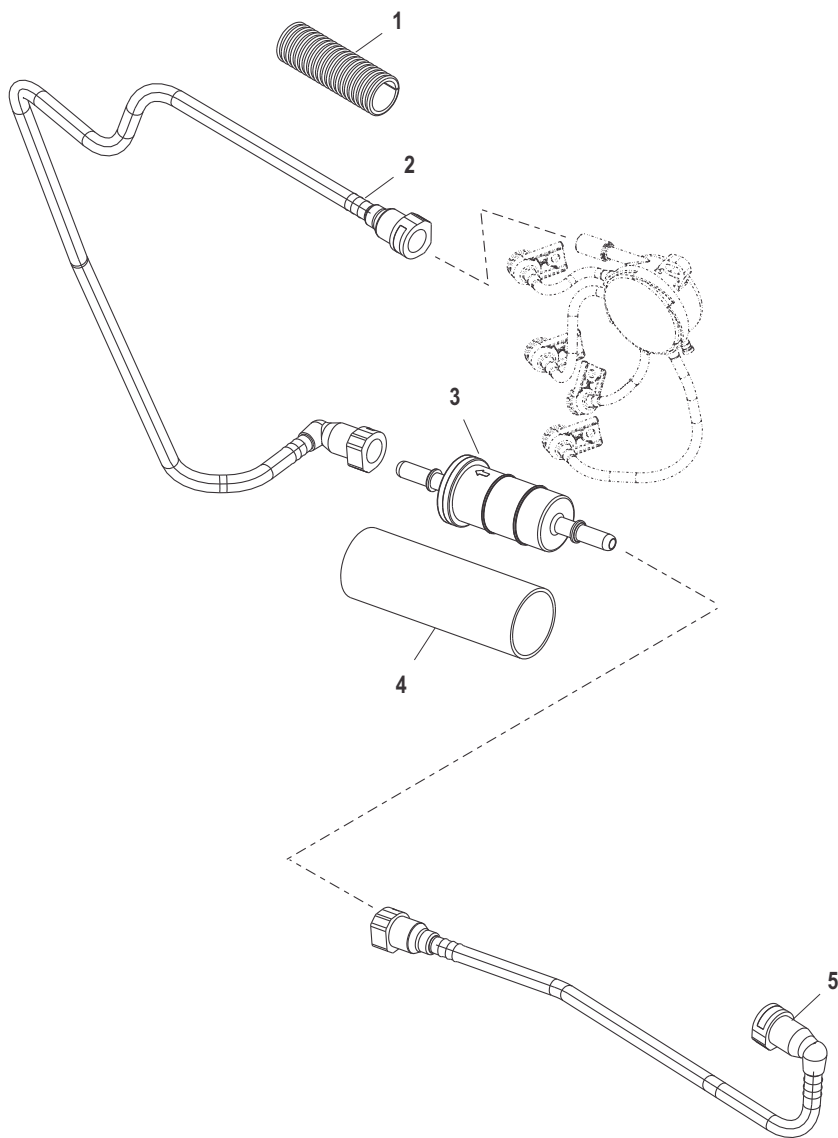


68957

## Fuel Pump

Ref #	Part Class	Part Number	Description	Comments	Qty	Note
1	0000	8M0118177	PUMP ASSEMBLY Fuel		1	
2	0032	828547T1	CONDUIT (.500 Inside Diameter x 3.00 Feet Bulk) Cut to 26 Inches		1	
3	0010	82684430	SCREW (M6 x 30)		2	
4	0032	8M0108349	HOSE (70 Inches Bulk) To Vapor Sperator Tank Cooler - Cut to 31 Inches		1	
5	0032	8M0108355	HOSE (57 Inches Bulk) To Vapor Separator Cover - Cut to 18 Inches		1	
6	0032	8M0108349	HOSE (70 Inches Bulk) To Telltale - Cut to 6 Inches		1	
7	0054	888988023	CLAMP		AR	
8	0032	8M0108355	HOSE (57 Inches Bulk) Cut to 8 Inches		1	
9	0035	879884T	FILTER ASSEMBLY Fuel		1	
10	0035	8M0149607	FUEL FILTER KIT		1	
11	0032	8M0108355	HOSE (57 Inches Bulk) Cut to 34 Inches	Remote	1	
11	0032	8M0108355	HOSE (57 Inches Bulk) Cut to 31.50 Inches	Handle	1	
12	0022	8M0022105	FITTING ASSEMBLY Fuel	Handle	1	
13	0023	856954	BUSHING		1	
14	0025	834985	GROMMET		1	
15	0012	4002316	WASHER (6.60 X 17.0 X 1.5SS)		1	
16	0011	401196	NUT (M6)		1	
17	0022	8M0022500	FITTING Reducer	Remote	1	
18	0054	8M0022218	CLAMP		4	
19	0010	8M0022331	SCREW Ratchet		4	
20	0000	893772	BRACKET		1	
21	0010	40011126	SCREW (M6 x 13) Stainless Steel		2	
21	0010	8M0082833	SCREW M6 x 13 stainless steel	Big Tiller	1	
22	0032	828547633	CONDUIT (.620 Inside Diameter x 3.00 Feet Bulk)		1	
23	0010	88552535	SCREW (M6 x 35 MM) Stainless Steel		1	

Fuel Lines



2191



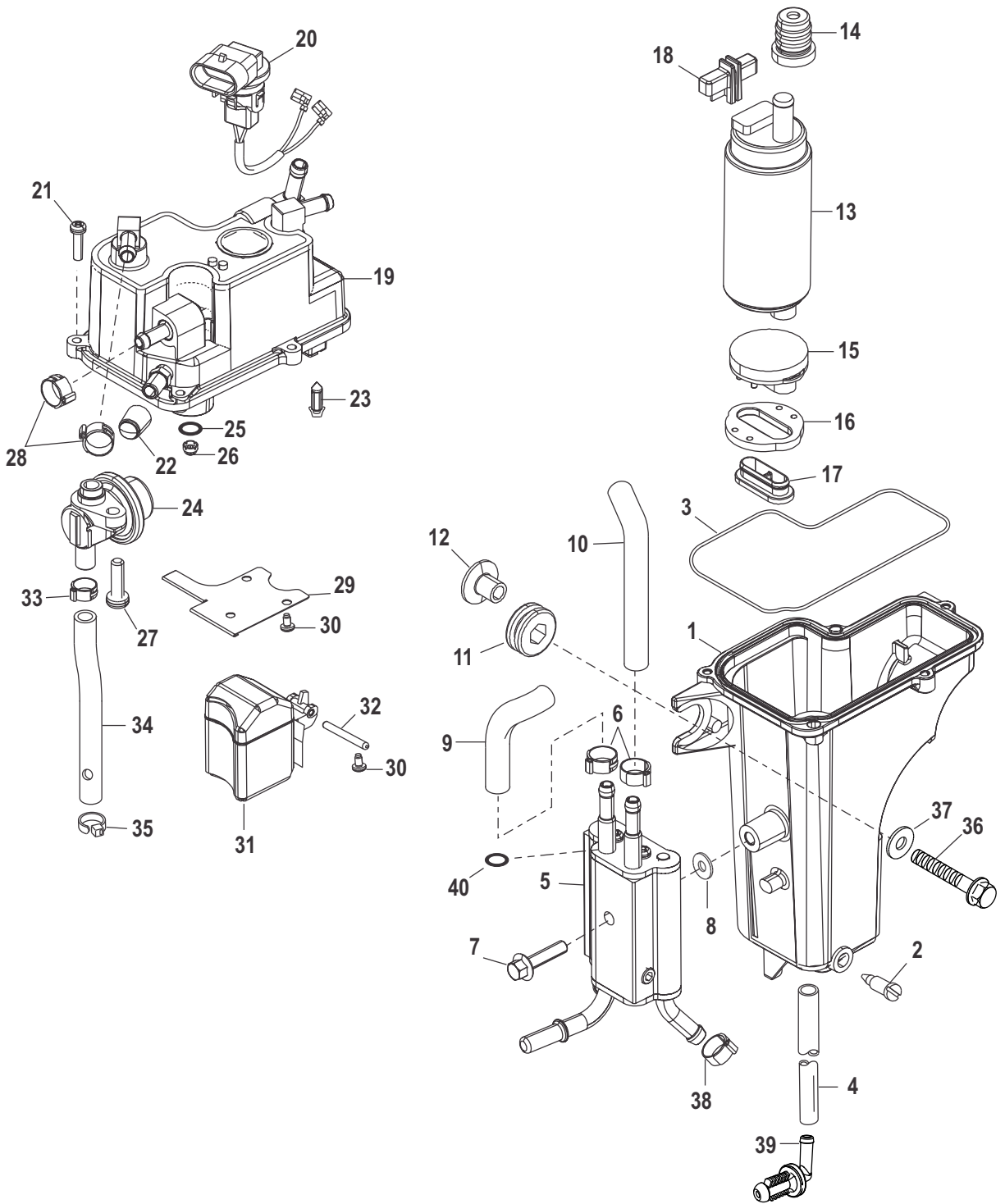
**Fuel Lines**

Ref #	Part Class	Part Number	Description	Comments	Qty	Note
1	0032	828547353	CONDUIT (.350 Inside Diameter x 3.00 Feet Bulk) Cut to 24 Inches		1	
2	0032	8M0086956	LINE Fuel		1	
3	0035	879885Q	FILTER Fuel In-Line		1	[1]
4	0000	8775381	PROTECTIVE SLEEVE		1	
5	0032	8M0046458	LINE Fuel		1	

**PART NOTES:**

- [1] - Alternate part numbers:  
879885KMPP  
879885QQS  
879885TService Part

# Vapor Separator

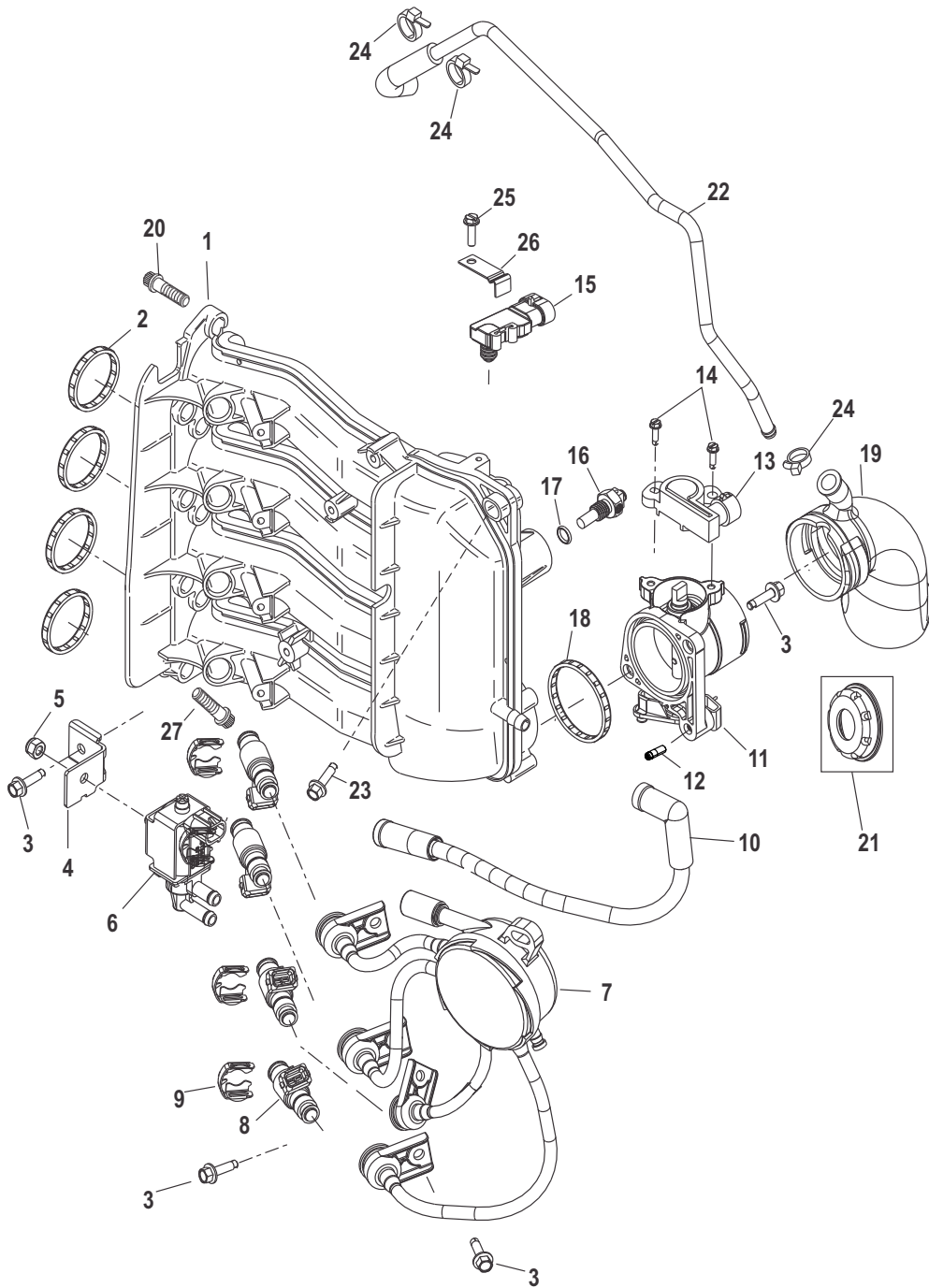


61305

## Vapor Separator

Ref #	Part Class	Part Number	Description	Comments	Qty	Note
-	0000	892267T03	VAPOR SEPARATOR ASSEMBLY		1	
1	0000	892267A54	BODY ASSEMBLY		1	
2	0010	892267506	SCREW Drain		1	
3	0025	892267530	O-RING		1	
4	0032	8M0054213	HOSE Cut to 9 Inches		1	
5	0000	892267A55	COOLER ASSEMBLY Fuel		1	
6	0054	888988023	CLAMP		2	
7	0010	82130025	SCREW (M6 x 25)		1	
8	0012	892267511	WASHER		1	
9	0032	892267504	HOSE		1	
10	0032	892267503	HOSE		1	
11	0025	834985	GROMMET		3	
12	0023	856954	BUSHING		3	
13	0000	892267A51	PUMP KIT Fuel Also includes cover to body o ring 25-892267530		1	
14	0000	892267521	INSULATOR		1	
15	0000	892267510	ISOLATOR		1	
16	0000	892267523	INSULATOR		1	
17	0000	892267534	STRAINER Fuel		1	
18	0000	892267519	COVER		1	
19	0000	892267T57	COVER ASSEMBLY		1	
20	0000	892267535	CONNECTOR Electrical		1	
21	0010	892267531	SCREW (M4 x 16)		5	
22	0000	883220	CAP		1	
23	0000	892267A52	FLOAT VALVE KIT		1	
24	0000	892267A50	REGULATOR KIT Pressure		1	
25	0025	892267513	O-RING		1	
26	0000	892267512	SCREEN		1	
27	0010	892267515	SCREW (M5 x 18)		1	
28	0054	888988023	CLAMP		2	
29	0000	892267520	PLATE		1	
30	0010	892267529	SCREW (M4 x 8)		5	
31	0000	892267527	FLOAT		1	
32	0017	892267528	PIN Float		1	
33	0054	892267517	CLIP		1	
34	0032	892267516	HOSE		1	
35	0000	56762	TIE STRAP (4.00 Inches)		1	
36	0010	82130025	SCREW (M6 x 25)		3	
37	0012	4002316	WASHER (6.60 X 17.0 X 1.5SS)		3	
38	0054	888988023	CLAMP		1	
39	0022	8M0022107	FITTING		1	
40	0025	8M0124318	O-RING 7.94 x 1.78		1	

# Intake Manifold



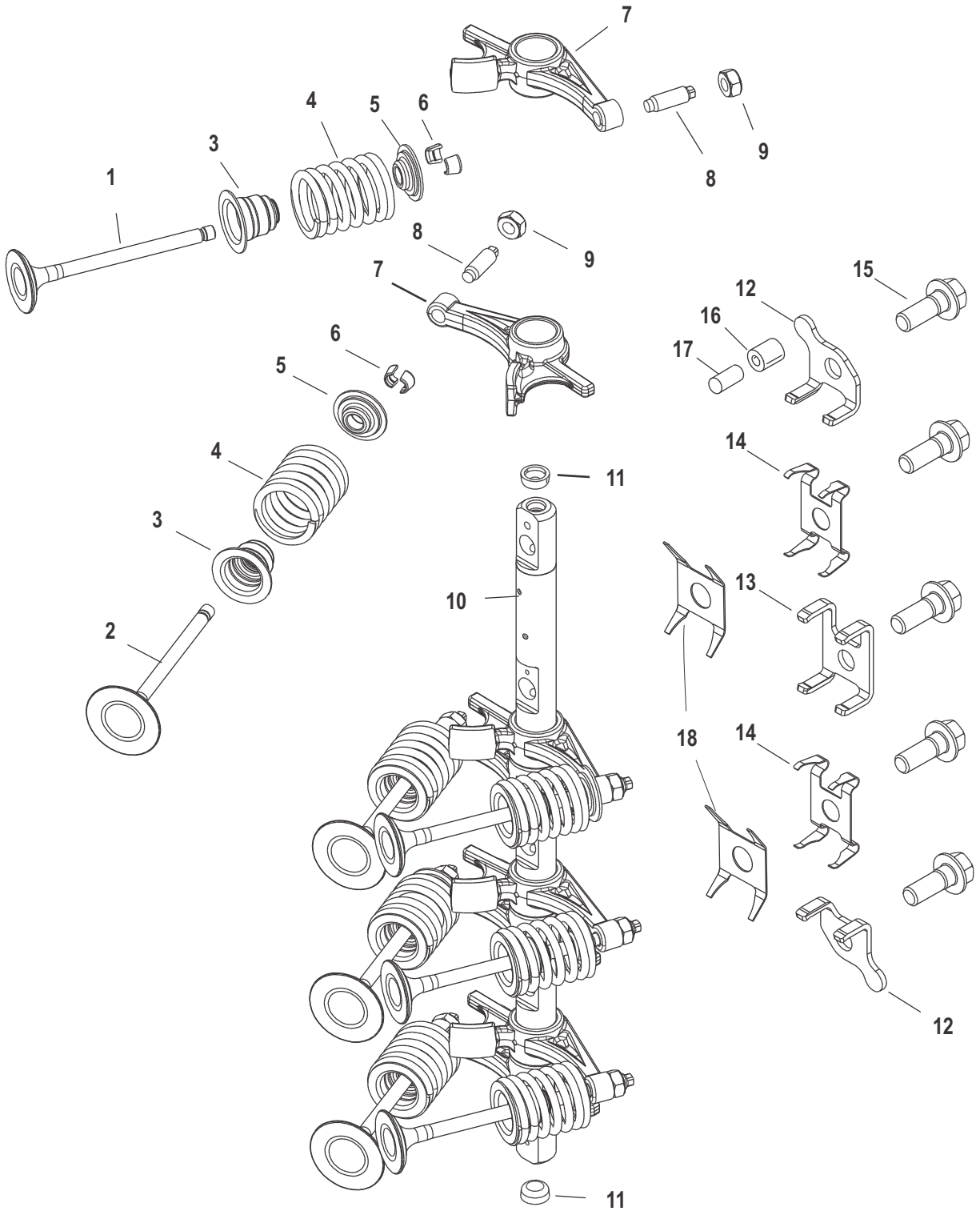
## Intake Manifold

Ref #	Part Class	Part Number	Description	Comments	Qty	Note
-	0000	877829T06	MANIFOLD ASSEMBLY Intake - Complete		1	
1	0000	877829T01	MANIFOLD Intake		1	
2	0027	879866	GASKET SET	(Contains 4 Gaskets)	1	[1]
3	0010	881059	SCREW		9	
4	0000	877834	BRACKET		1	
5	0011	401366	NUT (M6) Stainless Steel		1	
6	0000	877805T	SOLENOID VALVE		1	
7	0000	879887T	TFI SYSTEM		1	
8	0000	892123002	INJECTOR		4	
-	0025	883597	O-RING KIT Injector	Upper	1	
-	0025	883598	O-RING KIT Injector	Lower	1	
9	0054	883460	CLIP		4	
10	0032	877831A1	HOSE		1	
11	0000	877831A02	THROTTLE BODY ASSEMBLY		1	
12	0010	8M0000578	SCREW Adjustment		1	
13	0000	881070T	SENSOR Position		1	
14	0010	881060	SCREW		2	
15	0000	854445	SENSOR MAP		1	
16	0000	885342002	SENSOR ASSEMBLY		1	
17	0025	896699	O-RING (1.78 mm x .08 mm)		1	
18	0027	879867	GASKET		1	
19	0000	893521	ATTENUATOR		1	
20	0010	8248326	SCREW (M6 x 25 MM)		8	
21	0000	8831483	RESTRICTOR	50 Horsepower	1	
21	0000	8831482	RESTRICTOR	40 Horsepower/Non Jet	1	
22	0032	8M0113740	HOSE ASSEMBLY Breather		1	
23	0010	82684430	SCREW (M6 x 30)		1	
24	0054	850181	TIE STRAP (11.750 Inches)		3	
25	0010	8214281	SCREW (#10-16 x .625)		1	
26	0000	8M0007495	RETAINER		1	
27	0010	8248326	SCREW (M6 x 25 MM)	Big Tiller	2	
-	0027	883599A02	GASKET SET		1	

## PART NOTES:

[1] - COMPONENT OF ENGINE/POWERHEAD GASKET SET 883599A02

# Intake/Exhaust Valves



2192

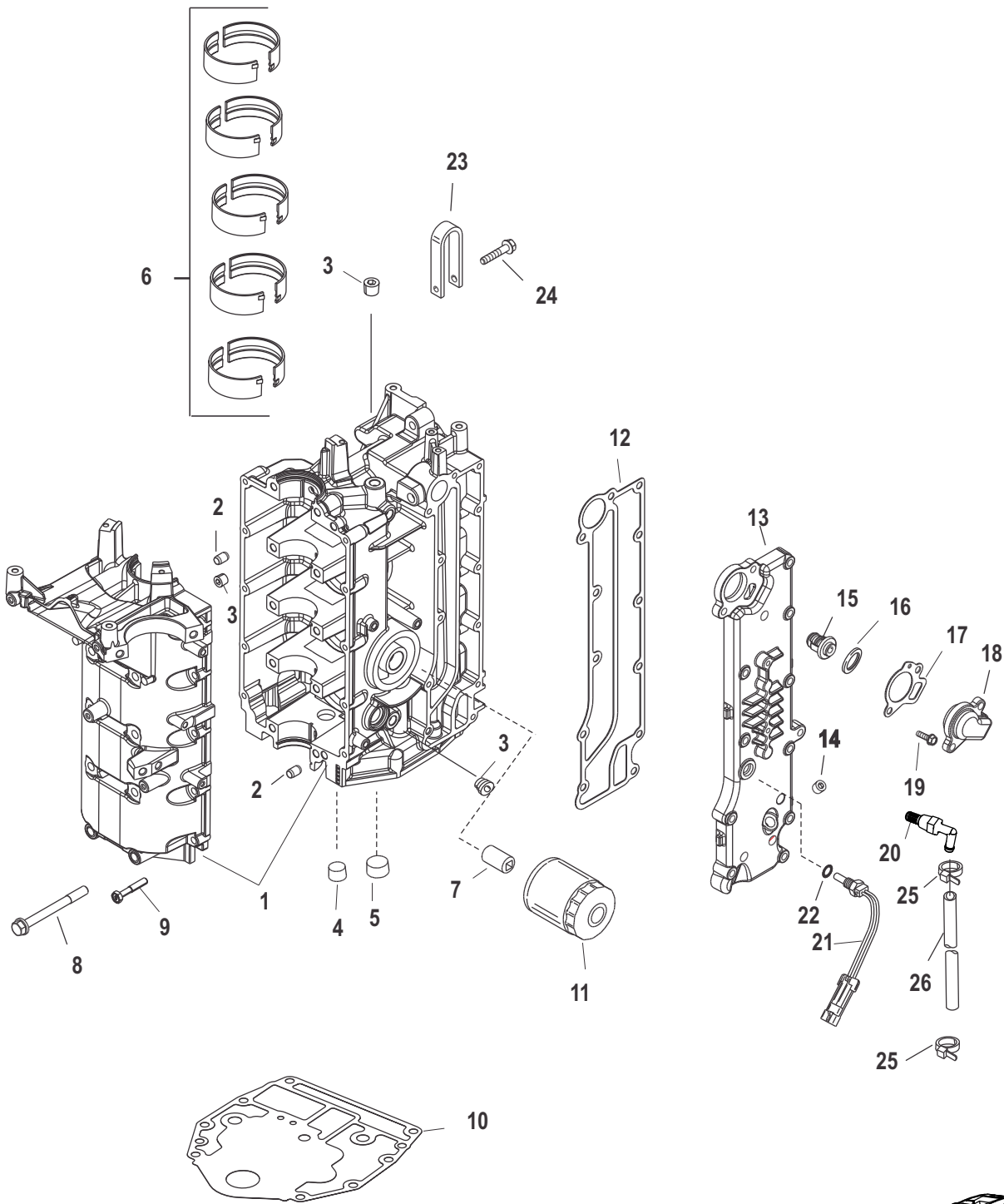
## Intake/Exhaust Valves

Ref #	Part Class	Part Number	Description	Comments	Qty	Note
1	0000	8M0065029	VALVE Exhaust		4	[1]
2	0000	832990T3	VALVE Intake		4	[1]
3	0026	858271	SEAL		8	[1]
4	0024	893552	SPRING		8	[1]
5	0000	893553	RETAINER		8	[1]
6	0028	893554	KEY		16	[1]
7	0000	898821A01	ROCKER ARM ASSEMBLY		8	[1]
8		NSS	NOT SOLD SEPARATE Screw		8	[1]
9		NSS	NOT SOLD SEPARATE Nut		8	[1]
10	0000	8570851	SHAFT Rocker		1	[1]
11		NSS	NOT SOLD SEPARATE Plug		2	[1]
12	0000	893560	BRACKET		2	[1]
13	0000	893561	BRACKET		1	[1]
14	0024	893562	SPRING		2	[1]
15	0010	875218	SCREW (M8 x 23)		5	[1]
16	0027	893645	GASKET		1	[1]
17	0017	859575	PIN		1	[1]
18	0024	893563	SPRING Overload		2	[1]
-	0000	893505T05	CYLINDER HEAD ASSEMBLY Complete		1	
-	0900	8M0118175	CYLINDER HEAD ASSEMBLY Complete	SeaPro Only	1	

## PART NOTES:

- [1] - COMPONENT OF CYLINDER HEAD ASSEMBLY 893505T05  
COMPONENT OF CYLINDER HEAD ASSEMBLY [8M0118175]

# Cylinder Block and Crankcase





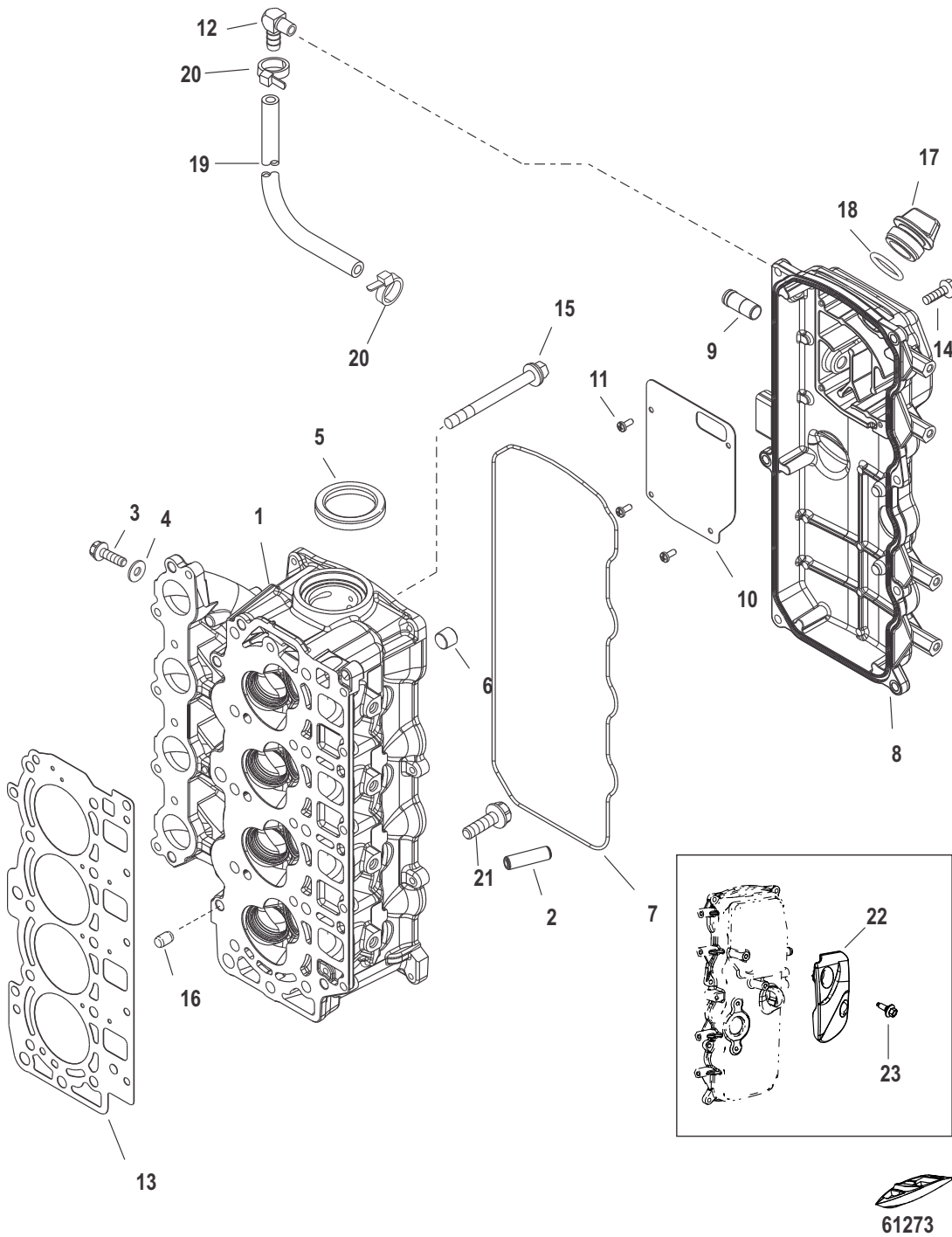
## Cylinder Block and Crankcase

Ref #	Part Class	Part Number	Description	Comments	Qty	Note
1	0800	893502T02	CYLINDER BLOCK ASSEMBLY		1	[1]
2	0017	825010	PIN Dowel		2	[1]
3	0022	479452	PLUG		3	[1]
4	0022	889567	PLUG (.500-14)		1	[1]
5	0022	416223	PLUG Pipe (.750-14)		1	[1]
6	0023	893631	BEARING Main - Brown		10	[1]
6	0023	893631001	BEARING Main - Black		10	[1]
6	0023	893631002	BEARING Main - Blue		10	[1]
7	0000	822625	NIPPLE (M20)		1	[1]
8	0010	893541082	SCREW (M8 X 1.25)		10	[1]
9	0010	88348935	SCREW (M6 x 35)		10	[1]
10	0027	892319001	GASKET		1	[2]
11	0035	8M0065104	FILTER Oil		1	[3]
12	0027	857078	GASKET		1	[2]
13	0000	8M0118194	COVER Exhaust		1	[1]
14	0022	479452	PLUG		1	[1]
15	0000	8M0117413	THERMOSTAT		1	[1]
16	0027	887978	GASKET		1	[2]
17	0027	824853	GASKET		1	[2]
18	0000	8M0008243	COVER Thermostat		1	[1]
19	0010	88348935	SCREW (M6 x 35)		12	[1]
20	0035	8M0021770	STRAINER Water		1	[1]
21	0000	889575	SENSOR ASSEMBLY		1	
22	0025	627021	O-RING (.301 x .070)		1	[4]
23	0000	893697	LIFTING EYE		1	
24	0010	857139	SCREW (M8 x 35)		1	
25	0054	816311T	TIE STRAP (8.00 Inches)		2	
26	0032	8M0108349	HOSE (70 Inches Bulk) Cut to 10 Inches - To VST Cooler		1	
-	0027	883599A02	GASKET SET		1	
-	0061	893678T03	POWERHEAD ASSEMBLY		1	

## PART NOTES:

- [1] - COMPONENT OF POWERHEAD/PARTIAL ENGINE 893678T03
- [2] - COMPONENT OF ENGINE/POWERHEAD GASKET SET 883599A02  
COMPONENT OF POWERHEAD/PARTIAL ENGINE 893678T03
- [3] - Alternate part numbers:  
8M0065103QS  
8M0065104MPP  
COMPONENT OF POWERHEAD/PARTIAL ENGINE 893678T03
- [4] - COMPONENT OF ENGINE/POWERHEAD GASKET SET 883599A02

# Cylinder Head



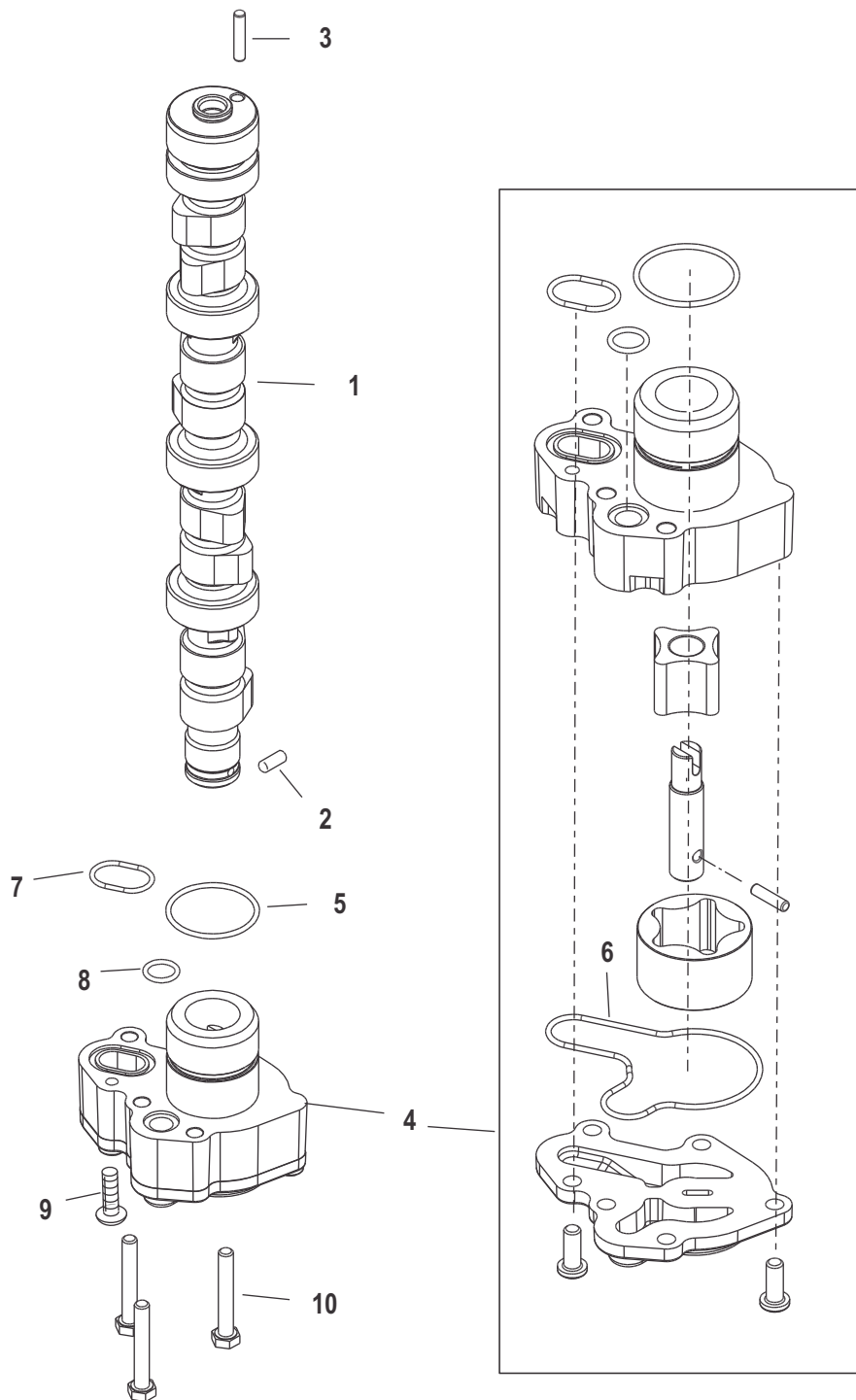
# Cylinder Head

Ref #	Part Class	Part Number	Description	Comments	Qty	Note
-	0000	893505T05	CYLINDER HEAD ASSEMBLY Complete		1	
-	0900	8M0118175	CYLINDER HEAD ASSEMBLY Complete	SeaPro Only	1	
1	0000	893505T06	CYLINDER HEAD ASSEMBLY Basic		1	
1	0900	8M0119522	CYLINDER HEAD ASSEMBLY Basic	SeaPro Only	1	
2		NSS	NOT SOLD SEPARATE	Guide	8	[1]
3	0010	4000325	SCREW (M6 x 8)		4	[1]
4	0012	859768	WASHER		4	[1]
5	0026	893549	SEAL Oil		1	[1]
6	0022	875209	PIPE PLUG		8	[1]
7	0025	8M0011870	SEAL		1	[2]
8	0000	893694T02	COVER ASSEMBLY		1	
9		NSS	NOT SOLD SEPARATE Breather Pipe		1	
10		NSS	NOT SOLD SEPARATE Baffle Plate		1	
11		NSS	NOT SOLD SEPARATE Screw		1	
12	0022	629101	FITTING Elbow - 90 Degree (.125-27)		1	
13	0027	8M0118179	HEAD GASKET		1	[3]
14	0010	8M4503518	SCREW (M6 X 1.0 X 20)		7	
15	0010	82503395	SCREW (M9 x 95)		10	
16	0017	825010	PIN Dowel		2	
17	0000	859578A1	PLUG ASSEMBLY Oil		1	
18	0025	90196	O-RING (.921 x .139)		1	[2]
19	0032	77653101	HOSE (48.00 Inches Bulk) Cut to 19 Inches - To Fitting in Adaptor Plate		1	
20	0054	816311T	TIE STRAP (8.00 Inches)		2	
21	0010	82500925	SCREW (M6 x 25)		5	
22	0000	8M0026326	DEFLECTOR Cowl		1	
23	0010	8M0012661	SCREW		2	
-	0027	883599A02	GASKET SET		1	
-	0061	893678T03	POWERHEAD ASSEMBLY	(Does Not Include Cylinder Head)	1	

**PART NOTES:**

- [1] - COMPONENT OF CYLINDER HEAD ASSEMBLY 893505T05  
COMPONENT OF CYLINDER HEAD ASSEMBLY [8M0118175]
- [2] - COMPONENT OF ENGINE/POWERHEAD GASKET SET 883599A02
- [3] - COMPONENT OF ENGINE/POWERHEAD GASKET SET 883599A02  
COMPONENT OF POWERHEAD/PARTIAL ENGINE 893678T03  
COMPONENT OF CYLINDER HEAD ASSEMBLY 893505T05  
COMPONENT OF CYLINDER HEAD ASSEMBLY [8M0118175]

# Camshaft and Oil Pump



1773

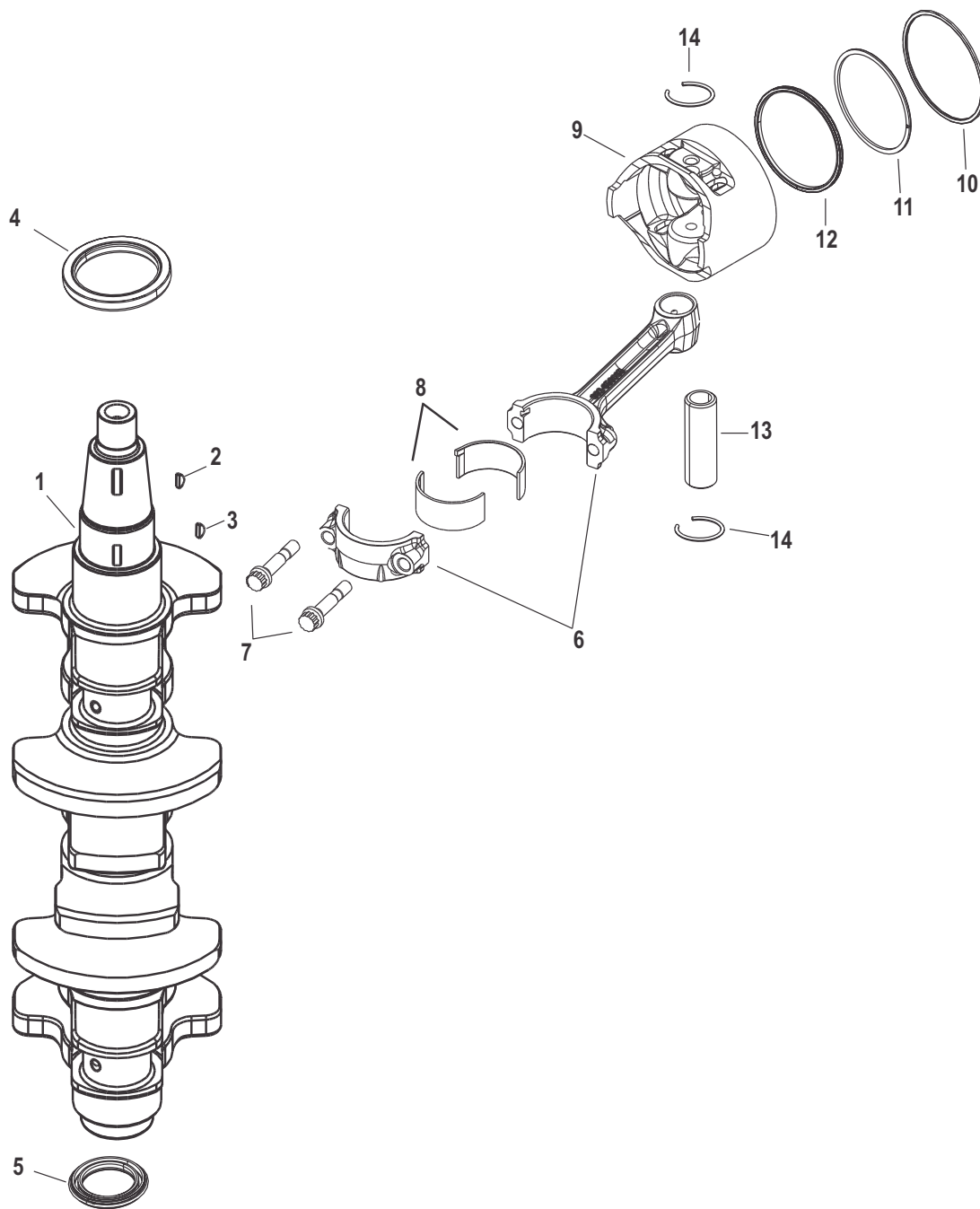
## Camshaft and Oil Pump

Ref #	Part Class	Part Number	Description	Comments	Qty	Note
1	0400	893565	CAMSHAFT		1	[1]
2	0017	826149	PIN		1	[1]
3	0017	878183	PIN Dowel		1	[1]
4	0000	857087T1	PUMP ASSEMBLY Oil		1	[1]
5	0025	857096	O-RING		1	[2]
6		NSS	NOT SOLD SEPARATE O Ring		1	[1]
7	0025	857094	O-RING		1	[2]
8	0025	857093	O-RING		1	[2]
9	0010	875206	SCREW (M6 x 16)		2	[1]
10	0010	4000333	SCREW (M6 x 40)		4	[1]
-	0027	883599A02	GASKET SET		1	
-	0000	893505T05	CYLINDER HEAD ASSEMBLY Complete		1	
-	0900	8M0118175	CYLINDER HEAD ASSEMBLY Complete	SeaPro Only	1	

## PART NOTES:

- [1] - COMPONENT OF CYLINDER HEAD ASSEMBLY 893505T05  
COMPONENT OF CYLINDER HEAD ASSEMBLY [8M0118175]
- [2] - COMPONENT OF ENGINE/POWERHEAD GASKET SET 883599A02  
COMPONENT OF CYLINDER HEAD ASSEMBLY 893505T05  
COMPONENT OF CYLINDER HEAD ASSEMBLY [8M0118175]

# Crankshaft, Pistons and Connecting Rods



61275

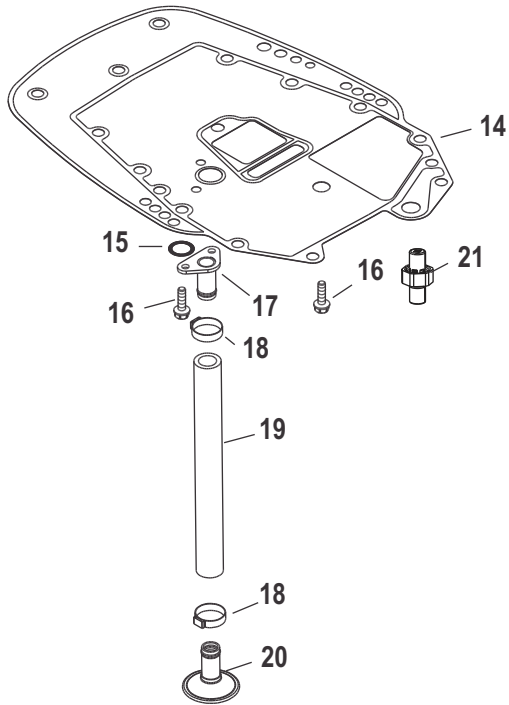
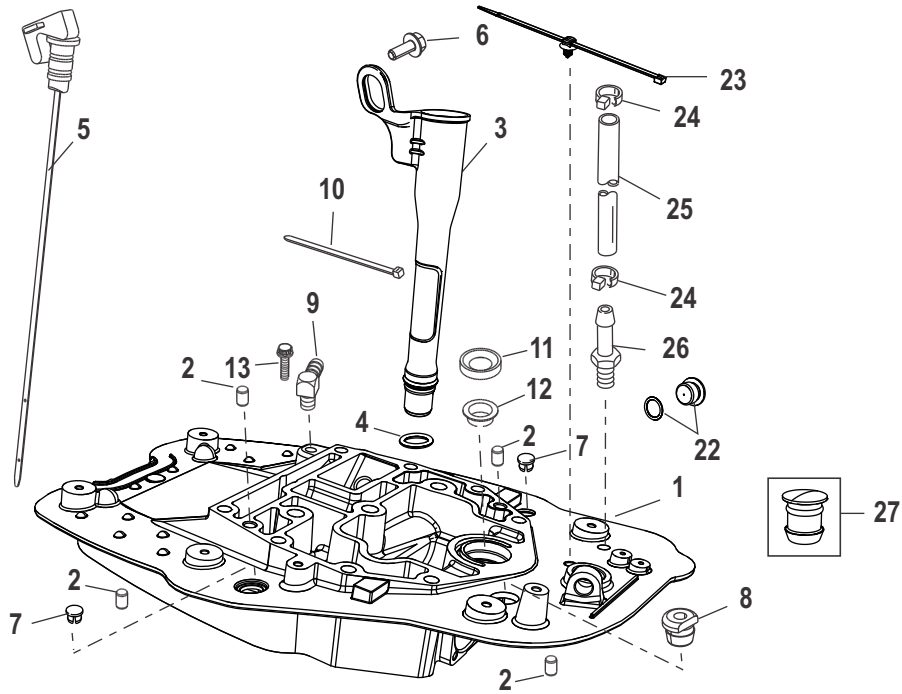
## Crankshaft, Pistons and Connecting Rods

Ref #	Part Class	Part Number	Description	Comments	Qty	Note
1	0413	857077T02	CRANKSHAFT ASSEMBLY		1	[1]
2	0028	91800	KEY Woodruff		1	[1]
3	0028	18856M	KEY		1	[1]
4	0026	893949	SEAL Oil		1	[2]
5	0026	893948	SEAL Oil		1	[2]
6	0600	893530T01	CONNECTING ROD ASSEMBLY		4	[1]
7	0010	8M0049884	BOLT		8	[1]
8	0023	893630001	BEARING Black		8/AR	[1]
8	0023	893630	BEARING Brown		8/AR	[1]
8	0023	893630002	BEARING Blue		8/AR	[1]
9	0700	893524T08	PISTON ASSEMBLY Standard		4	[1]
9	0700	8M0057775	PISTON ASSEMBLY	.25MM Oversized/Bare Piston	AR	
9	0700	8M0057776	PISTON ASSEMBLY	.50MM Oversized/Bare Piston	AR	
10	0039	893525A01	RING SET Piston	Standard	4	[1]
10	0039	893525A02	RING SET Piston	.25MM Oversized	AR	
10	0039	893525A03	RING SET Ring	.50MM Oversized	AR	
11		NSS	NOT SOLD SEPARATE Piston Ring - Second	Standard	4	[1]
11		NSS	NOT SOLD SEPARATE Piston Ring - Second	25 MM Oversized	AR	
11		NSS	NOT SOLD SEPARATE Piston Ring - Second	50 MM Oversized	AR	
12		NSS	NOT SOLD SEPARATE Ring, Piston Oil		4	
13	0041	893863	PIN Piston		4	[1]
14	0040	893529	RETAINER Piston Pin		8	[1]
-	0027	883599A02	GASKET SET		1	
-	0061	893678T03	POWERHEAD ASSEMBLY		1	

**PART NOTES:**

- [1] - COMPONENT OF POWERHEAD/PARTIAL ENGINE 893678T03  
 [2] - COMPONENT OF ENGINE/POWERHEAD GASKET SET 883599A02  
 COMPONENT OF POWERHEAD/PARTIAL ENGINE 893678T03

# Adapter Plate



32235



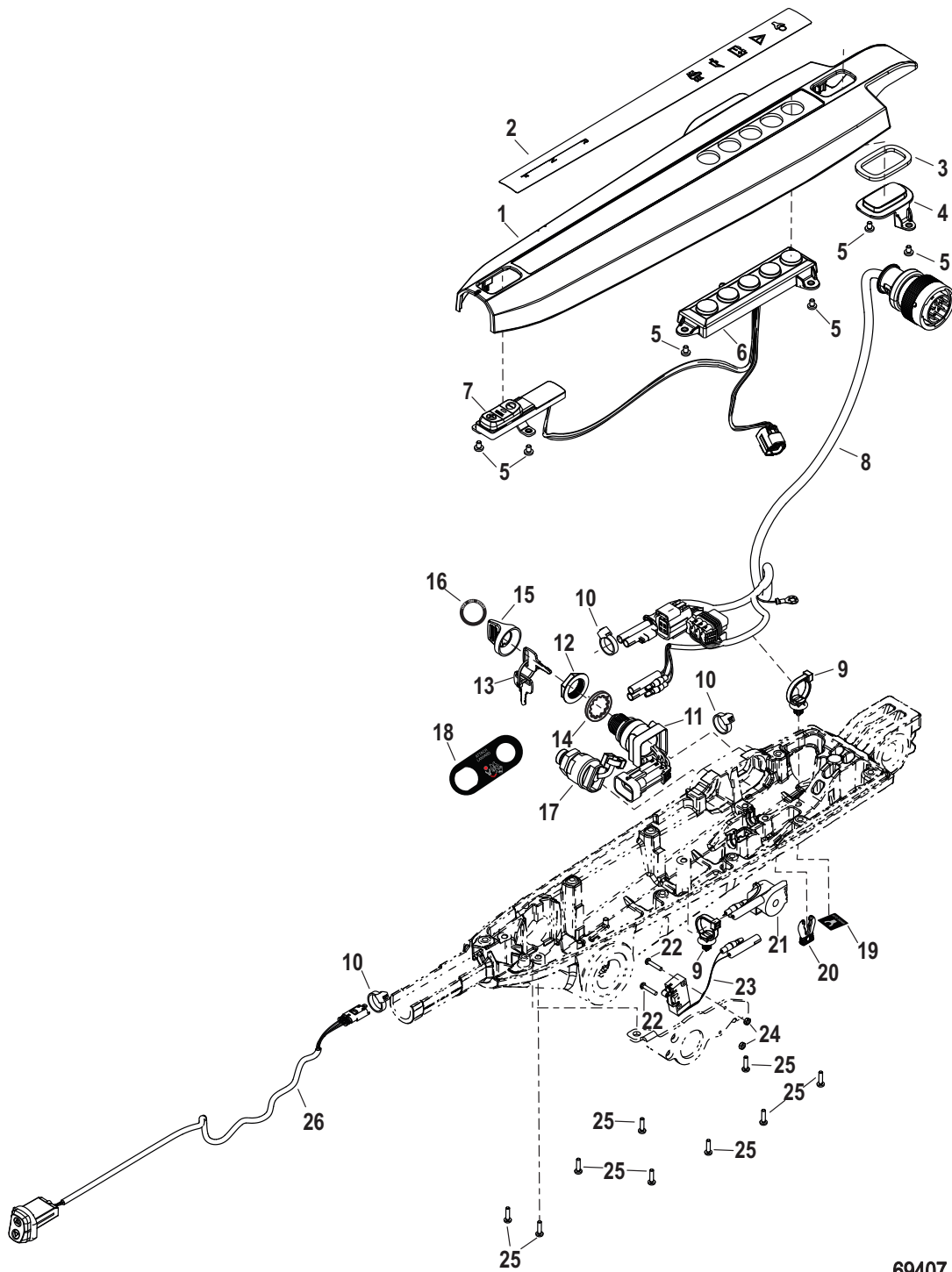
## Adapter Plate

Ref #	Part Class	Part Number	Description	Comments	Qty	Note
1	0000	8M0118182	ADAPTER PLATE ASSEMBLY		1	
2	0017	23784	PIN Dowel		4	
3	0000	8M0026249	DIPSTICK TUBE ASSEMBLY Plastic		1	
4	0025	8M0008708	O-RING		1	
5	0000	825990	DIPSTICK		1	
6	0010	4006731	SCREW (M6 x 16)		1	
7	0019	822464	PLUG		2	
8	0025	19565002	GROMMET		1	
9	0022	629101	FITTING Elbow - 90 Degree (.125-27)		1	
10	0054	816311T	TIE STRAP (8.00 Inches)		3	
11	0026	66301	SEAL Oil		1	
12	0023	859594	BUSHING		1	
13	0010	4007455	SCREW (M6 x 55)		1	
14	0027	892320001	GASKET		1	[1]
15	0025	845746	O-RING		1	[1]
16	0010	8M4503518	SCREW (M6 X 1.0 X 20)		3	
17	0000	893765	PLATE Top Oil Pickup		1	
18	0054	855228	CLAMP		2	
19	0032	854793	HOSE Oil Pickup		1	
20	0000	893700	BAFFLE Oil Pick-up		1	
21	0000	881872A1	BODY Oil Pressure Relief		1	
22	0019	8M0021330	PLUG (M18)		1	
23	0054	899145	CLIP Tie Strap		1	
24	0054	816311T	TIE STRAP (8.00 Inches)		AR	
25	0032	8M0108355	HOSE (57 Inches Bulk) Cut to 17 Inches		1	
26	0022	291112	FITTING		1	
27	0019	8M0021917	PLUG	Jet	1	
-	0027	883599A02	GASKET SET		1	

## PART NOTES:

[1] - COMPONENT OF ENGINE/POWERHEAD GASKET SET 883599A02

# Tiller Handle Cover and Electrical (Mid Mount)



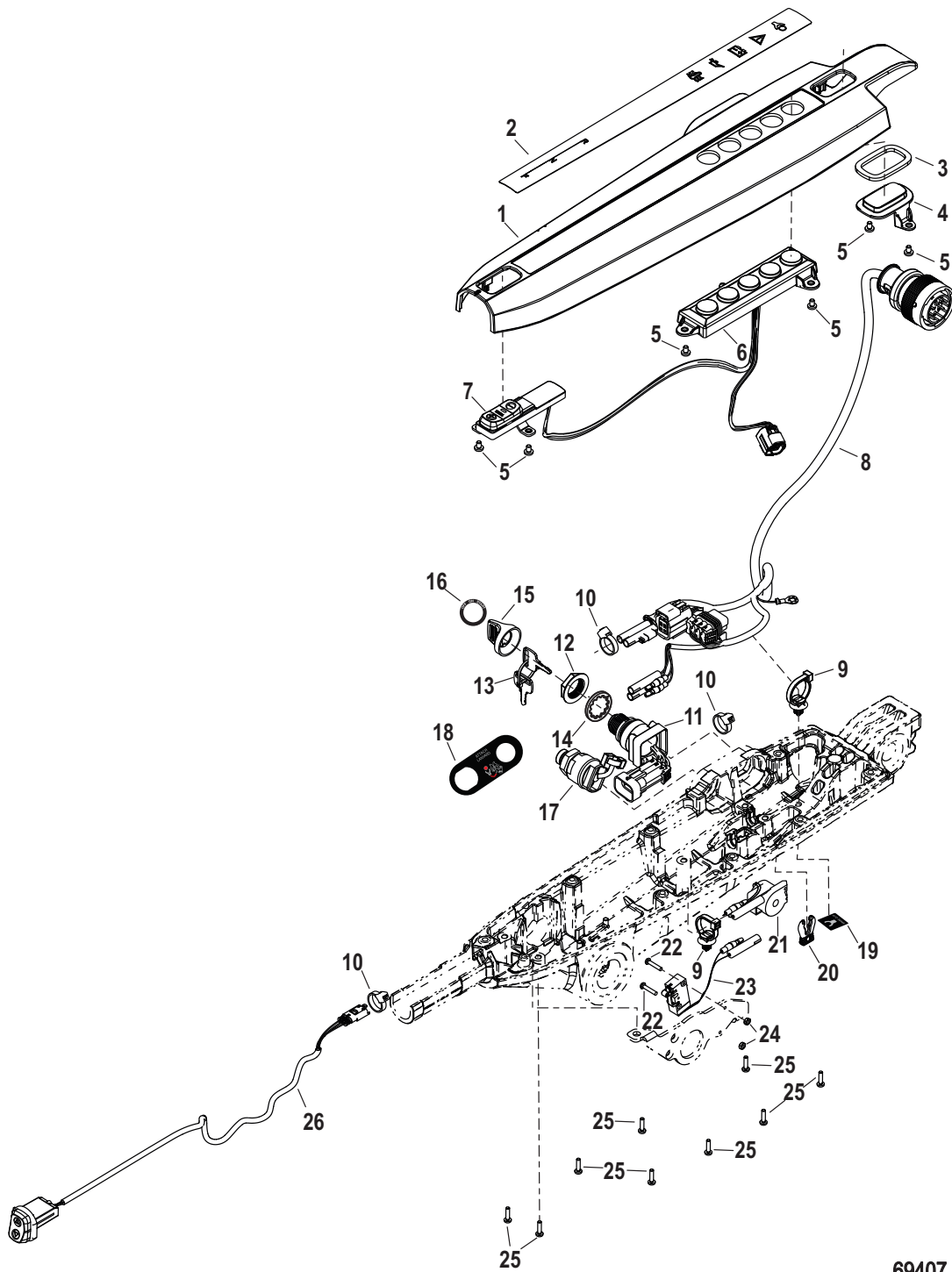
69407

## Tiller Handle Cover and Electrical (Mid Mount)

Ref #	Part Class	Part Number	Description	Comments	Qty	Note
1	0100	8M0161095	COVER Tiller Handle		1	
2	0037	8M0161140	DECAL Tiller Handle		1	
3	0027	8M0161293	GASKET Heated Grip Button		1	
4	0019	8M0161142	PLUG Heated Grip Button		1	
5	0010	8M0161141	SCREW M4x0.7x6.0		6	
6	0000	8M0158047	DISPLAY With Troll Control		1	
7		NSS	NOT SOLD SEPARATE Troll Assembly		1	
8	0084	8M0161121	HARNESS ASSEMBLY		1	
9	0054	8M0161118	CLIP Cable Tie		2	
10	0054	816311T	TIE STRAP (8.00 Inches)		3	
11	0087	897716K01	SWITCH KIT Ignition (3 Position) With Keys		1	
12	0011	897716001	NUT Plastic-Key Switch		1	
13	0087	897716451	KEY SET Ignition (451) with Mercury Logo		1	
13	0087	897716457	KEY SET Ignition (457) with Mercury Logo		1	
13	0087	897716460	KEY SET Ignition (460) with Mercury Logo		1	
13	0087	897716461	KEY SET Ignition (461) with Mercury Logo		1	
13	0087	897716462	KEY SET Ignition (462) with Mercury Logo		1	
13	0087	897716463	KEY SET Ignition (463) with Mercury Logo		1	
13	0087	897716821	KEY SET Ignition (821) with Mercury Logo		1	
13	0087	897716830	KEY SET Ignition (830) with Mercury Logo		1	
13	0087	897716831	KEY SET Ignition (831) with Mercury Logo		1	
13	0087	897716832	KEY SET Ignition (832) with Mercury Logo		1	
13	0087	897716841	KEY SET Ignition (841) with Mercury Logo		1	
13	0087	897716847	KEY SET Ignition (847) with Mercury Logo		1	
13	0087	897716850	KEY SET Ignition (850) with Mercury Logo		1	
13	0087	897716851	KEY SET Ignition (851) with Mercury Logo		1	
13	0087	897716852	KEY SET Ignition (852) with Mercury Logo		1	
13	0087	897716853	KEY SET Ignition (853) with Mercury Logo		1	
14	0013	76629	LOCKWASHER Internal Tooth (.750)		1	
15	0019	8M0161143	CAP Key		1	
16	0000	899203	DECAL On/Off/Start		1	
17	0000	8M0161120	SWITCH LANYARD ASSEMBLY		1	
18	0037	8M0161296	DECAL Attach Lanyard		1	

Tiller Handle Cover and Electrical (Mid Mount)

# Tiller Handle Cover and Electrical (Mid Mount)

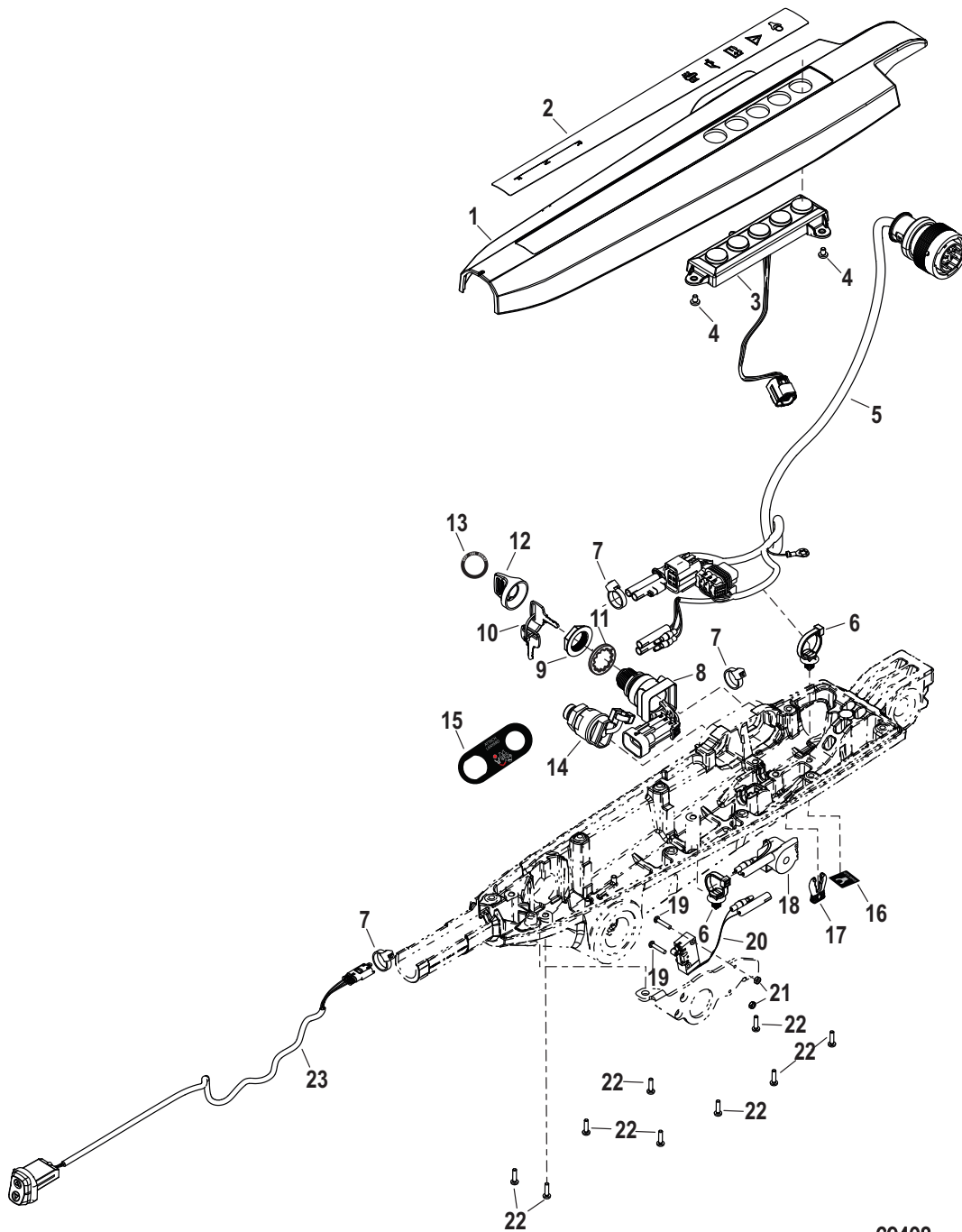


69407

**Tiller Handle Cover and Electrical (Mid Mount)**

<b>Ref #</b>	<b>Part Class</b>	<b>Part Number</b>	<b>Description</b>	<b>Comments</b>	<b>Qty</b>	<b>Note</b>
19	0037	8M0161295	DECAL Spare Clip		1	
20	0000	8M0138447	CLIP Lanyard Fork, Spare		1	
21	0084	8M0144930	ALARM ASSEMBLY Audio Warning		1	
22	0010	8M0034874	SCREW (M3 x 0.5)		2	
23	0087	8M0161116	NEUTRAL SWITCH		1	
24	0011	8M0034875	NUT (M3 x 0.5 Hex)		2	
25	0010	4001987	SCREW (M4 x 16)		9	
26	0000	8M0161119	TRIM SWITCH ASSEMBLY		1	

# Tiller Handle Cover and Electrical (Mid Mount SeaPro)



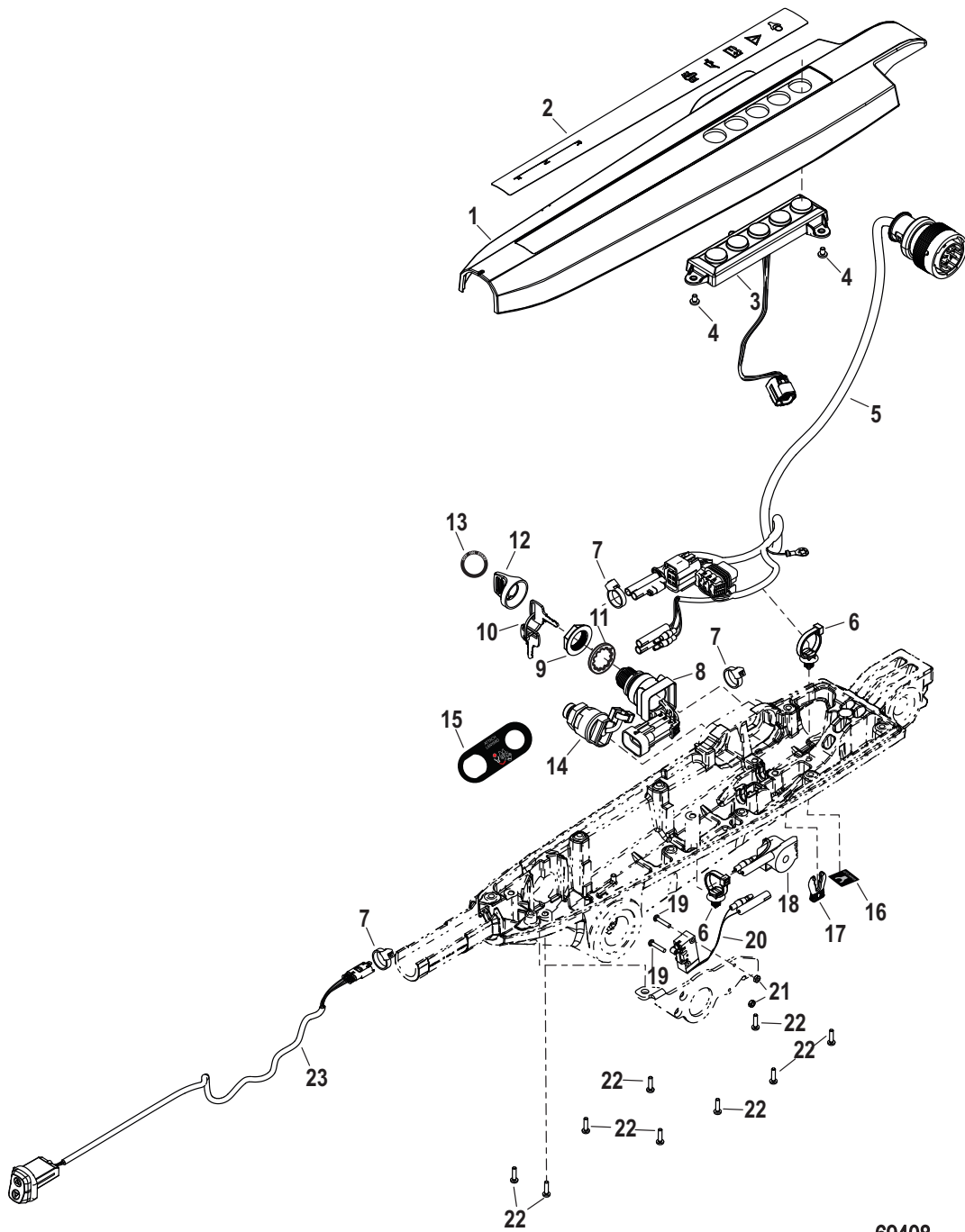
69408

## Tiller Handle Cover and Electrical (Mid Mount SeaPro)

Ref #	Part Class	Part Number	Description	Comments	Qty	Note
1	0000	8M0161144	COVER Tiller Handle (SeaPro)		1	
2	0037	8M0161140	DECAL Tiller Handle		1	
3	0000	8M0161363	DISPLAY No Troll Control		1	
4	0010	8M0161141	SCREW M4x0.7x6.0		6	
5	0084	8M0161121	HARNESSE ASSEMBLY		1	
6	0054	8M0161118	CLIP Cable Tie		2	
7	0054	816311T	TIE STRAP (8.00 Inches)		3	
8	0087	897716K01	SWITCH KIT Ignition (3 Position) With Keys		1	
9	0011	897716001	NUT Plastic-Key Switch		1	
10	0087	897716451	KEY SET Ignition (451) with Mercury Logo		1	
10	0087	897716457	KEY SET Ignition (457) with Mercury Logo		1	
10	0087	897716460	KEY SET Ignition (460) with Mercury Logo		1	
10	0087	897716461	KEY SET Ignition (461) with Mercury Logo		1	
10	0087	897716462	KEY SET Ignition (462) with Mercury Logo		1	
10	0087	897716463	KEY SET Ignition (463) with Mercury Logo		1	
10	0087	897716821	KEY SET Ignition (821) with Mercury Logo		1	
10	0087	897716830	KEY SET Ignition (830) with Mercury Logo		1	
10	0087	897716831	KEY SET Ignition (831) with Mercury Logo		1	
10	0087	897716832	KEY SET Ignition (832) with Mercury Logo		1	
10	0087	897716841	KEY SET Ignition (841) with Mercury Logo		1	
10	0087	897716847	KEY SET Ignition (847) with Mercury Logo		1	
10	0087	897716850	KEY SET Ignition (850) with Mercury Logo		1	
10	0087	897716851	KEY SET Ignition (851) with Mercury Logo		1	
10	0087	897716852	KEY SET Ignition (852) with Mercury Logo		1	
10	0087	897716853	KEY SET Ignition (853) with Mercury Logo		1	
11	0013	76629	LOCKWASHER Internal Tooth (.750)		1	
12	0019	8M0161143	CAP Key		1	
13	0000	899203	DECAL On/Off/Start		1	
14	0000	8M0161120	SWITCH LANYARD ASSEMBLY		1	
15	0037	8M0161296	DECAL Attach Lanyard		1	
16	0037	8M0161295	DECAL Spare Clip		1	
17	0000	8M0138447	CLIP Lanyard Fork, Spare		1	
18	0084	8M0144930	ALARM ASSEMBLY Audio Warning		1	
19	0010	8M0034874	SCREW (M3 x 0.5)		2	

Tiller Handle Cover and Electrical (Mid Mount SeaPro)

# Tiller Handle Cover and Electrical (Mid Mount SeaPro)



69408



**Cat.# 90-8M0118807**

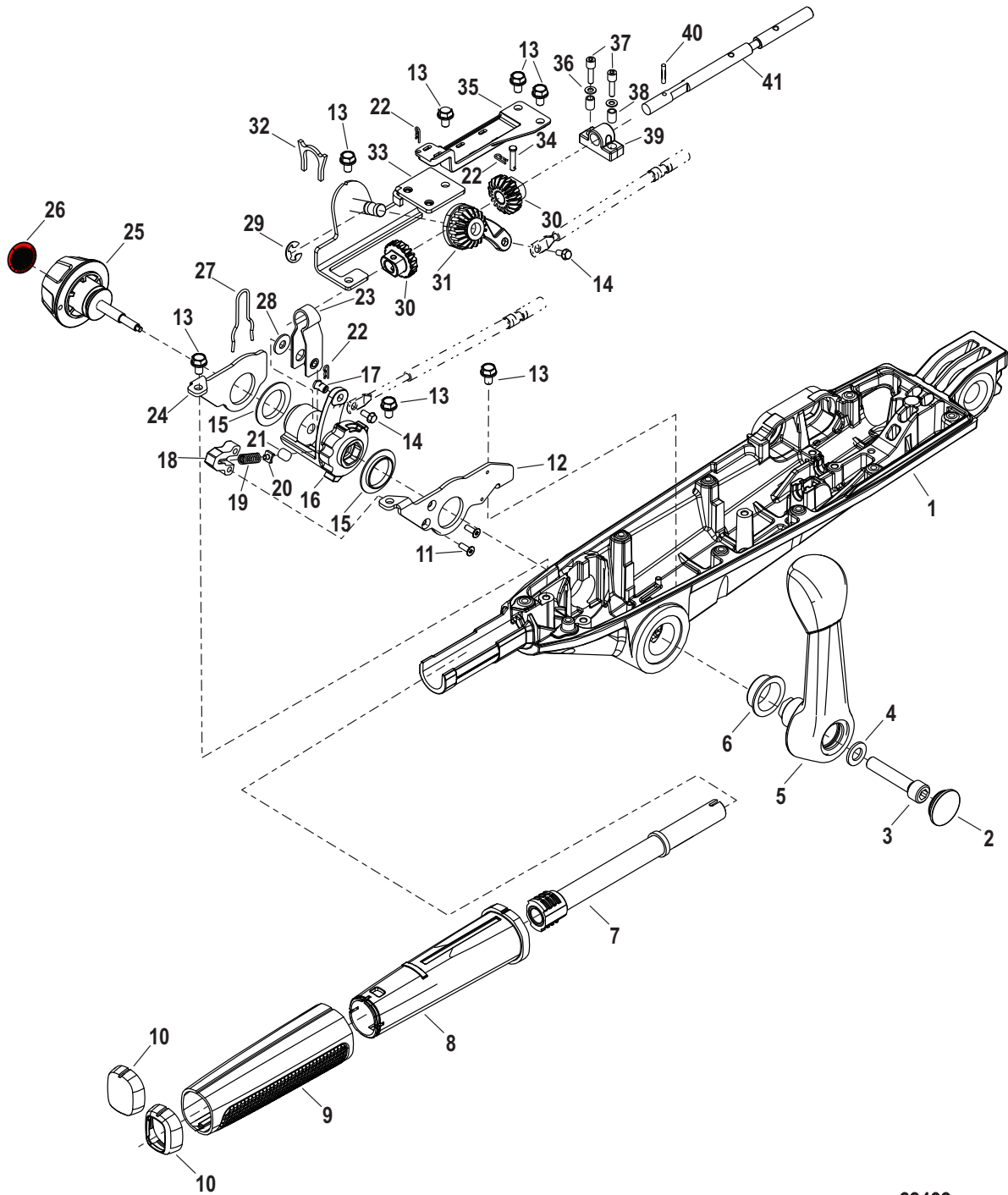
## Tiller Handle Cover and Electrical (Mid Mount SeaPro)

Ref #	Part Class	Part Number	Description	Comments	Qty	Note
20	0087	8M0161116	NEUTRAL SWITCH		1	
21	0011	8M0034875	NUT (M3 x 0.5 Hex)		2	
22	0010	4001987	SCREW (M4 x 16)		9	
23	0000	8M0161119	TRIM SWITCH ASSEMBLY		1	

---

Tiller Handle Cover and Electrical (Mid Mount SeaPro)

# Tiller Handle Shift and Throttle Components (Mid Mount)



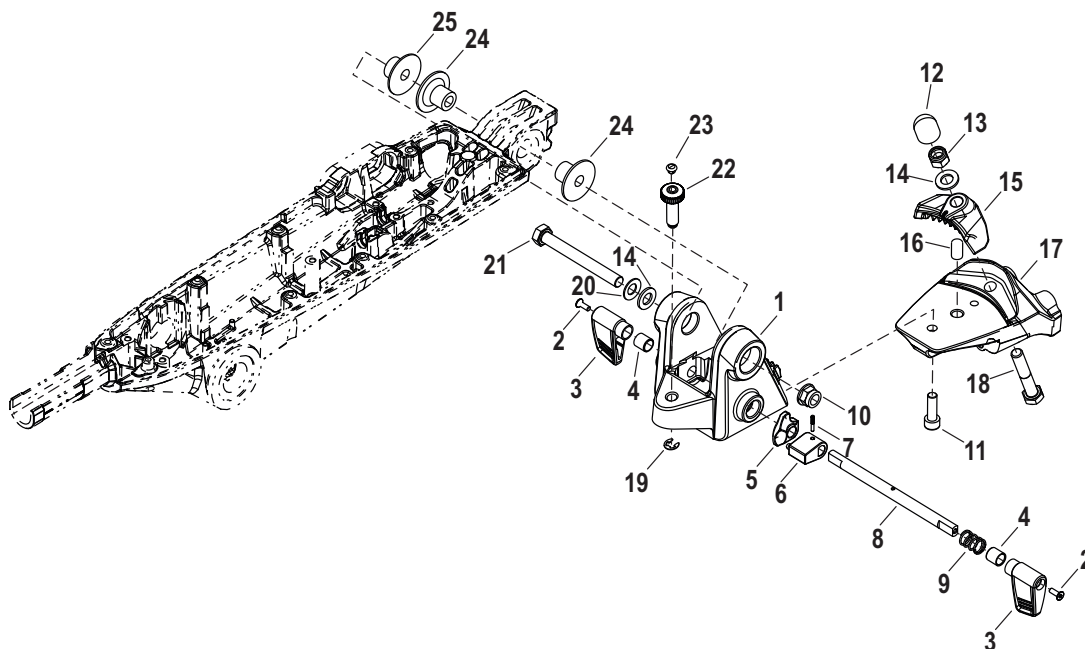
69409

## Tiller Handle Shift and Throttle Components (Mid Mount)

Ref #	Part Class	Part Number	Description	Comments	Qty	Note
1	0000	8M0161094	CHASSIS Tiller		1	
2	0000	8M0161107	COVER Shift Handle		1	
3	0010	8M0161106	SCREW		1	
4	0012	4002319	WASHER		1	
5	0000	8M0161105	SHIFT HANDLE ASSEMBLY		1	
6	0023	8M0161110	FLANGE BUSHING		1	
7	0000	8M0161126	THROTTLE TUBE		1	
-	0098	8M0166001	GRIP ASSEMBLY		1	
8		NSS	NOT SOLD SEPARATE INNER GRIP		1	
9		NSS	NOT SOLD SEPARATE OUTER GRIP		1	
10	0019	8M0161124	BEZEL Power Trim Switch		1	
10	0000	8M0161145	BEZEL No Power Trim Switch	Sea Pro	1	
11	0010	8M0161104	SCREW M4X0.7X12, SOC FLAT HD		2	
12	0000	8M0161109	BRACKET Shift Mounting		1	
13	0010	8M0161113	SCREW M6X1.0X10		7	
14	0010	8M0085515	SCREW (#8 - 32 x .375)		2	
15	0023	8M0161111	FLANGE BUSHING		2	
16	0000	8M0161108	SHIFT LEVER		1	
17		NSS	NOT SOLD SEPARATE STUD		1	
18	0000	8M0161114	DETENT ASSEMBLY		1	
19		NSS	NOT SOLD SEPARATE SPRING		1	
20		NSS	NOT SOLD SEPARATE GUIDE		1	
21		NSS	NOT SOLD SEPARATE ROLLER		1	
22	0018	26811	COTTER PIN		3	
23	0054	8M0161131	FRICTION CLAMP		1	
24	0000	8M0161112	BRACKET Shift Mounting		1	
25	0000	8M0161137	FRICTION KNOB		1	
26	0037	8M0161138	DECAL Throttle Friction		1	
27	0018	8M0161136	COTTER PIN		1	
28	0012	4002316	WASHER (6.60 X 17.0 X 1.5SS)		1	
29	0053	29641	E RING		1	
30	0043	8M0161258	PINION		2	
31	0043	8M0161139	THROTTLE GEAR ASSEMBLY		1	
32	0054	8M0161125	CLAMP		1	
33	0000	8M0161130	THROTTLE BRACKET		1	
34	0017	8M0161128	PIN Clevis		1	
35	0000	8M0161115	BRACKET HARNESS		1	
36	0012	8M0161134	WASHER		2	
37	0010	8M0161135	SCREW M4x16		2	
38	0023	8M0161133	BUSHING		2	
39	0000	8M0161132	PILLOW SUPPORT		1	
40	0017	8M0161127	PIN Split Lock		1	
41	0000	8M0161129	THROTTLE SHAFT		1	

Tiller Handle Shift and Throttle Components (Mid Mount)

# Tiller Handle Rear Bracket Assembly (Mid Mount)

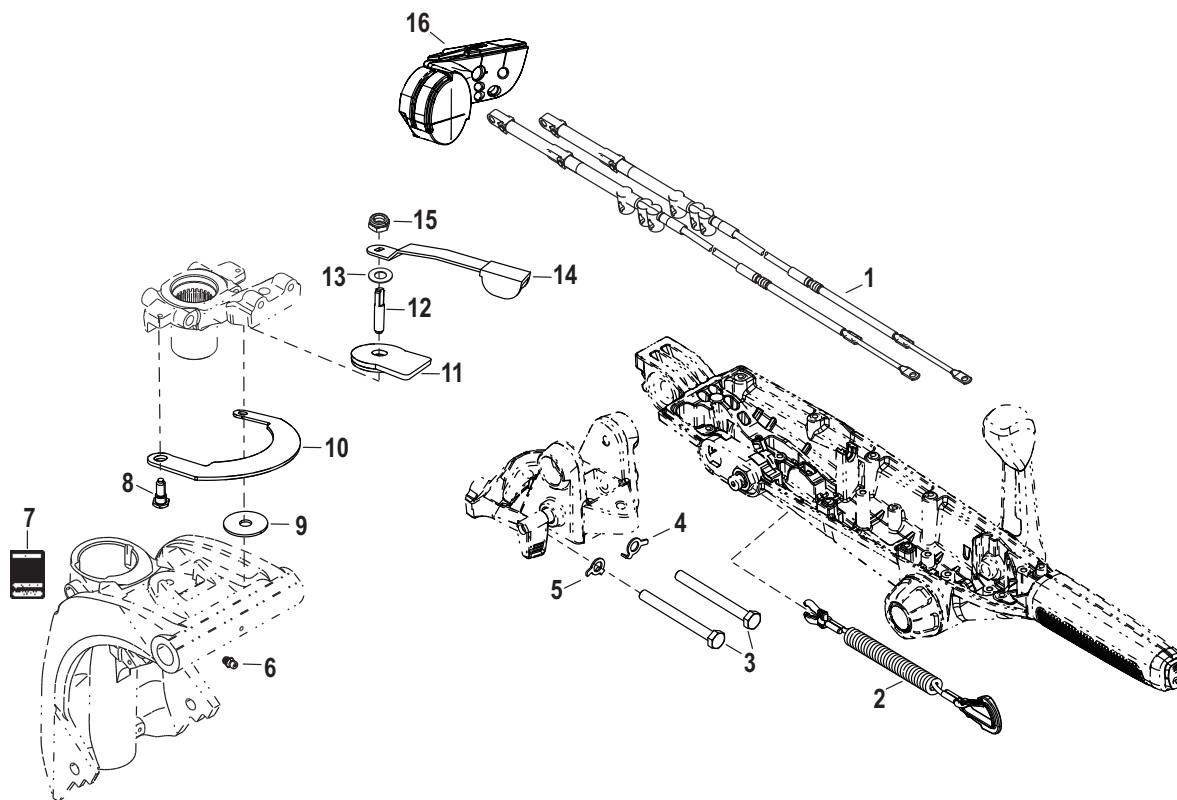


69410

## Tiller Handle Rear Bracket Assembly (Mid Mount)

Ref #	Part Class	Part Number	Description	Comments	Qty	Note
1	0000	8M0161096	BRACKET Rear Assembly with Tilt Lock		1	
2	0010	8M0161104	SCREW M4X0.7X12, SOC FLAT HD		2	
3	0000	8M0161103	LEVER Tilt		2	
4	0023	8M0161099	BUSHING Bearing		2	
5	0000	8M0161683	DENT CAM Tilt		1	
6	0000	8M0161684	LOCKING TAB		1	
7	0017	8M0161687	GROOVED PIN		1	
8	0000	8M0161686	TILT SHAFT		1	
9	0024	8M0161685	SPRING Compression		1	
10	0011	826292	NUT (M10) Brass/Nickel Plated		1	
11	0010	8M0136052	SCREW		1	
12	0011	8M0136057	NUT Cap		1	
13	0011	40140	NUT (M10)		1	
14	0012	4002319	WASHER		2	
15	0000	8M0161098	CLAMP Toe		1	
16	0017	43044	PIN Dowel - Without Hole (.375 x .625)		1	
17	0000	8M0161097	BRACKET Lower		1	
18	0010	8M0136054	BOLT		1	
19	0000	8M0136060	E RING		1	
20	0012	12024	WASHER (.402 x .787 x .039 Bellevi)		1	
21	0010	8M0161101	SCREW M10 X 1.5 HEX HD S.S		1	
22	0010	8M0161102	SCREW Adjustment		1	
23	0000	8M0051399	STOPPER		1	
24	0023	8M0161100	BUSHING		2	
25	0023	8M0031370	BUSHING		1	

# Tiller Handle Kit Components (Mid Mount)

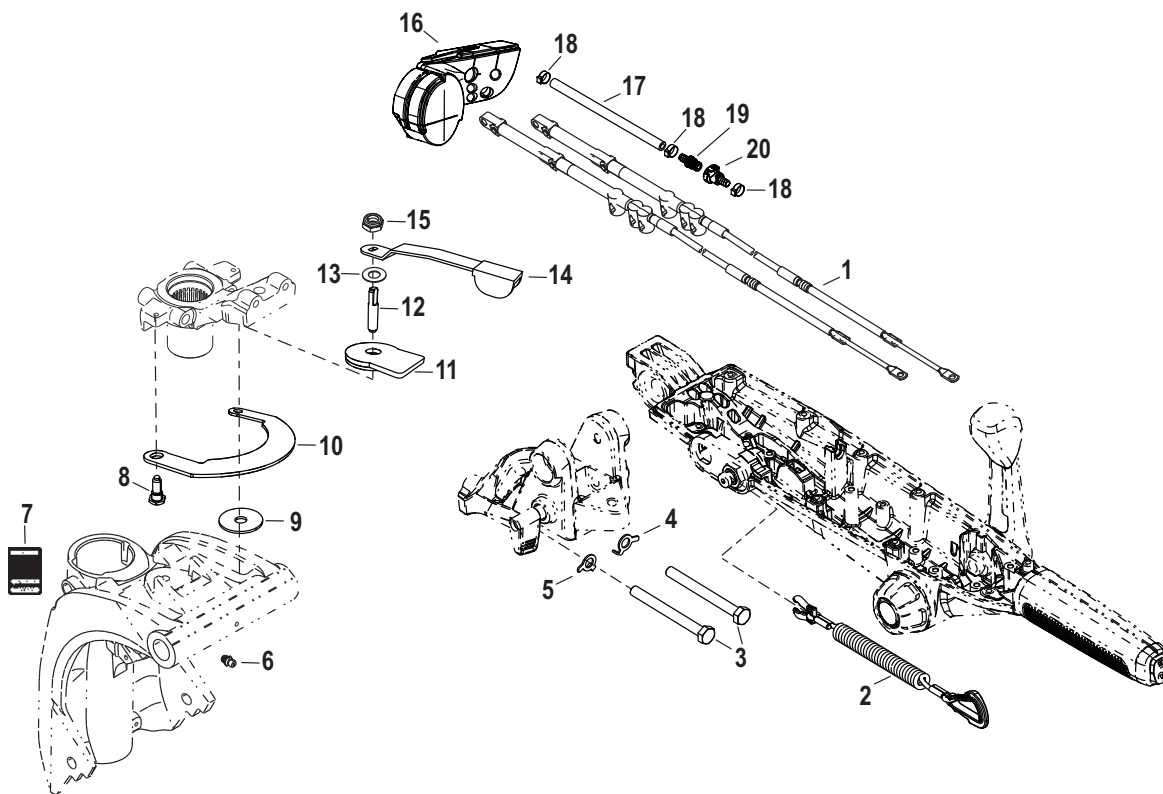


69568

## Tiller Handle Kit Components (Mid Mount)

Ref #	Part Class	Part Number	Description	Comments	Qty	Note
1	0000	8M0161148	SHIFT AND THROTTLE CABLE KIT 35-60 Standard		1	
2	0000	8M0124369	LANYARD ASSEMBLY 54 in		1	
3	0010	8M0161154	SCREW M10 X 1.5		2	
4	0014	8M0161156	TAB WASHER		1	
5	0014	8M0161155	TAB WASHER		1	
6	0022	74036	FITTING Grease		1	
7	0037	8237011	DECAL Co-Pilot		1	
8	0010	768042	SHOULDER SCREW Hex		1	
9	0000	8165621	DISC		1	
10	0000	8M0007471	PLATE Swivel Head		1	
11	0000	8M0006845	PLATE/DISC ASSEMBLY Brake		1	
12	0000	821961	ROD		1	
13	0012	29330	WASHER		1	
14	0000	823792	LEVER		1	
15	0011	8M0042636	NUT (.375-24) Brass		1	
16	0025	8M0161160	GROMMET		1	

# Tiller Handle Kit Components (Mid Mount SeaPro)



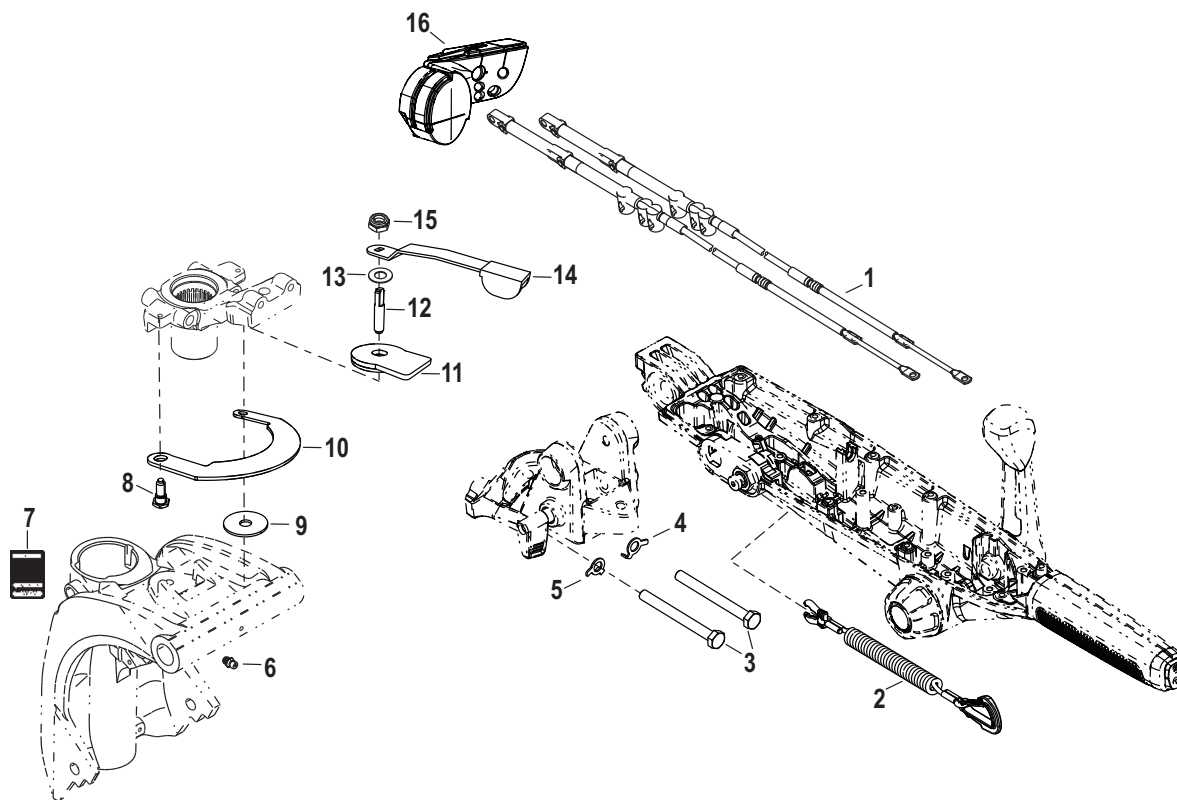
69700



## Tiller Handle Kit Components (Mid Mount SeaPro)

Ref #	Part Class	Part Number	Description	Comments	Qty	Note
1	0000	8M0161148	SHIFT AND THROTTLE CABLE KIT 35-60 Standard		1	
2	0000	8M0124369	LANYARD ASSEMBLY 54 in		1	
3	0010	8M0161154	SCREW M10 X 1.5		2	
4	0014	8M0161156	TAB WASHER		1	
5	0014	8M0161155	TAB WASHER		1	
6	0022	74036	FITTING Grease		1	
7	0037	8237011	DECAL Co-Pilot		1	
8	0010	768042	SHOULDER SCREW Hex		1	
9	0000	8165621	DISC		1	
10	0000	8M0007471	PLATE Swivel Head		1	
11	0000	8M0006845	PLATE/DISC ASSEMBLY Brake		1	
12	0000	821961	ROD		1	
13	0012	29330	WASHER		1	
14	0000	823792	LEVER		1	
15	0011	8M0042636	NUT (.375-24) Brass		1	
16	0025	8M0161160	GROMMET		1	
17	0098	8M0161161	FUEL HOSE QUICK DISCONNECT KIT		1	
18	0054	855697	CLAMP		3	
19	0022	8M0161162	Fitting Male		1	
20	0022	8M0161163	Fitting Female		1	

# Tiller Handle Kit Components (Mid Mount Jet 35/40)

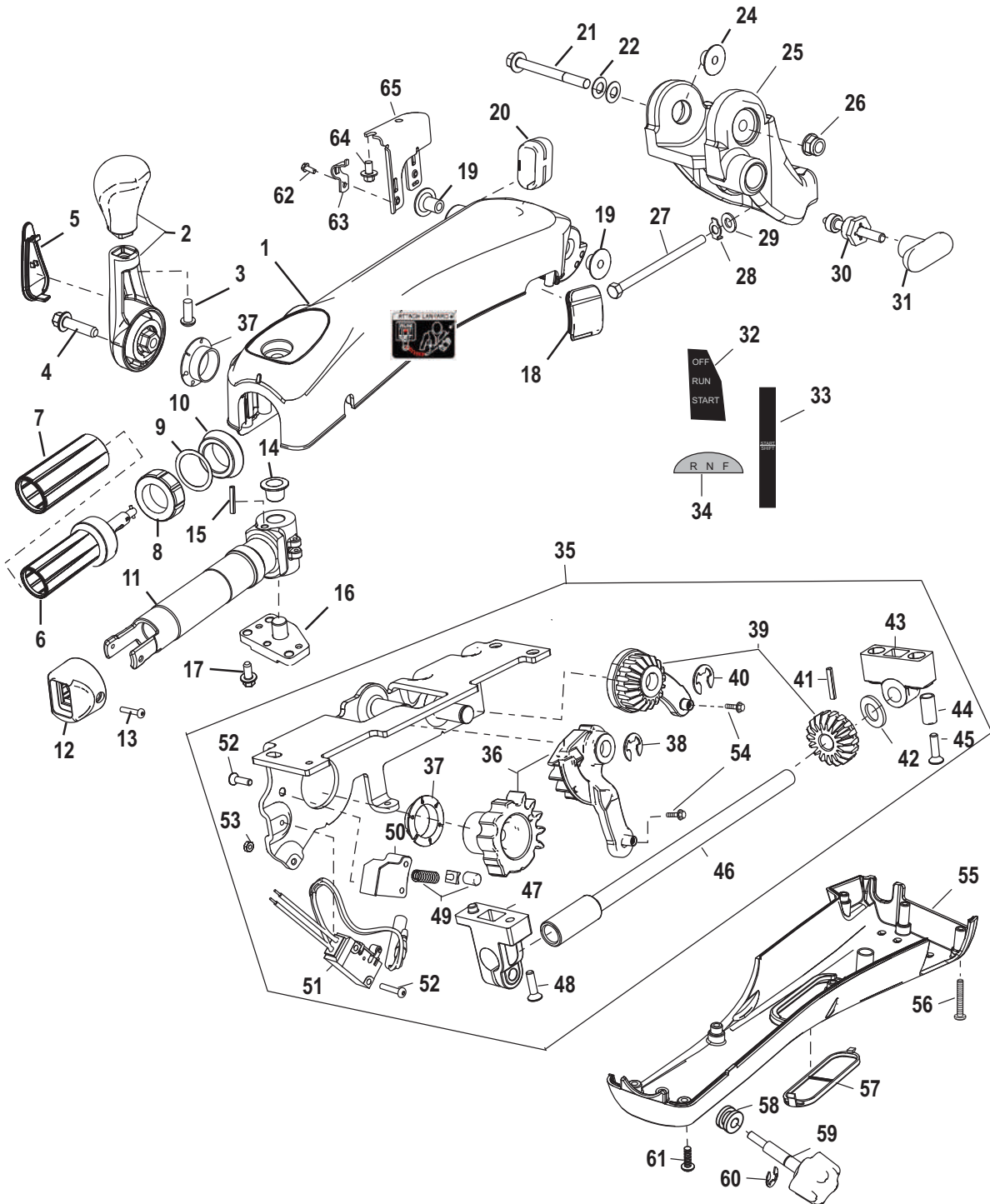


69568

## Tiller Handle Kit Components (Mid Mount Jet 35/40)

Ref #	Part Class	Part Number	Description	Comments	Qty	Note
1	0000	8M0161149	SHIFT AND THROTTLE CABLE KIT 35-60 Jet		1	
2	0000	8M0124369	LANYARD ASSEMBLY 54 in		1	
3	0010	8M0161154	SCREW M10 X 1.5		2	
4	0014	8M0161156	TAB WASHER		1	
5	0014	8M0161155	TAB WASHER		1	
6	0022	74036	FITTING Grease		1	
7	0037	8237011	DECAL Co-Pilot		1	
8	0010	768042	SHOULDER SCREW Hex		1	
9	0000	8165621	DISC		1	
10	0000	8M0007471	PLATE Swivel Head		1	
11	0000	8M0006845	PLATE/DISC ASSEMBLY Brake		1	
12	0000	821961	ROD		1	
13	0012	29330	WASHER		1	
14	0000	823792	LEVER		1	
15	0011	8M0042636	NUT (.375-24) Brass		1	
16	0025	8M0161160	GROMMET		1	

# Tiller Handle Kit (Big Tiller-Manual)



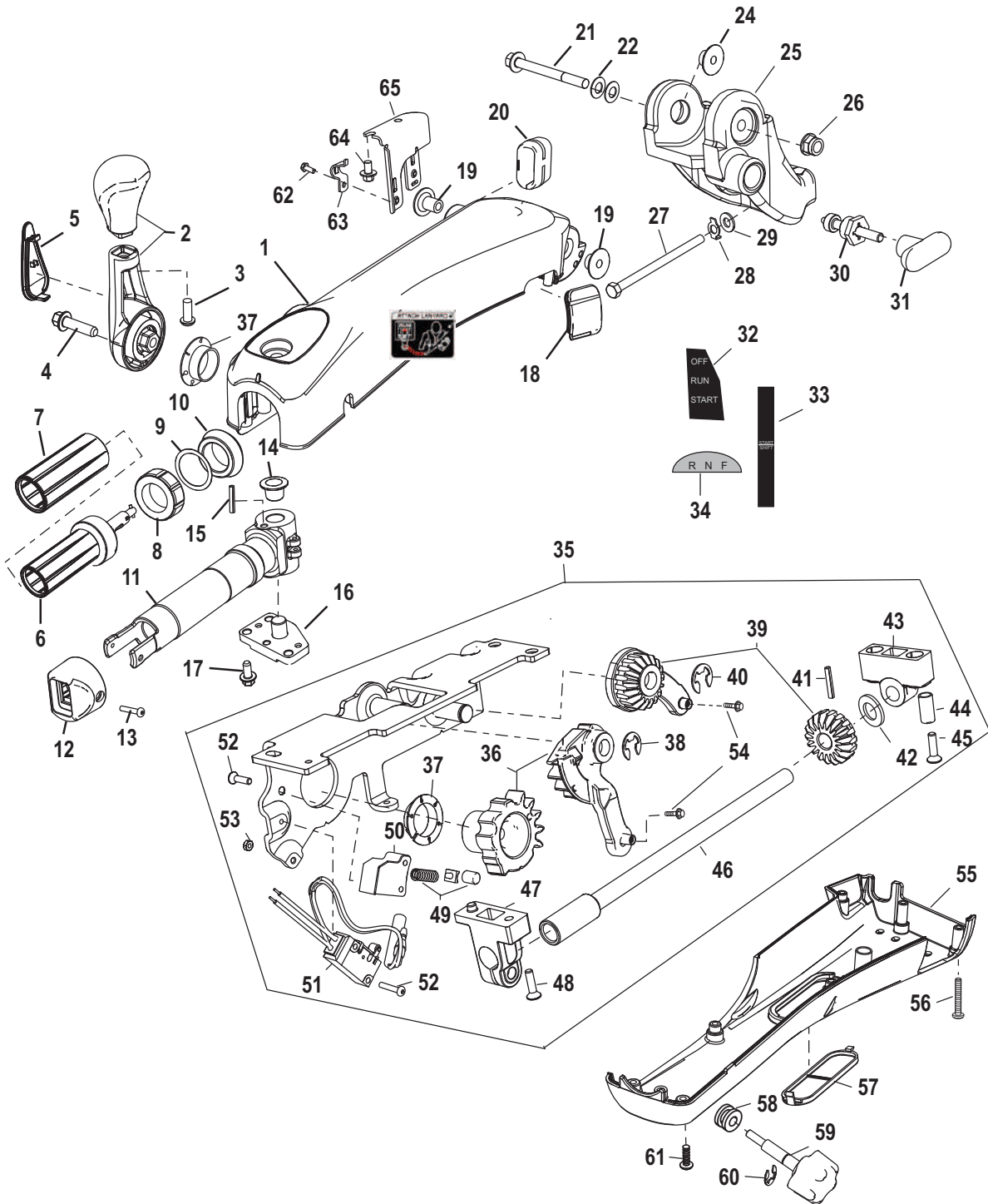
41584

## Tiller Handle Kit (Big Tiller-Manual)

Ref #	Part Class	Part Number	Description	Comments	Qty	Note
-	0000	879291A04	TILLER HANDLE ASSEMBLY Big Tiller, 40-60 EFI FourStroke, Manual Mechanical Non Power Steering	(Gearcase Models Only)	1	
1	0000	879346T02	HOUSING Steering Handle, Upper		1	
-	0037	8M0032728	DECAL Lanyard, Black		1	
2	0000	879346A01	SHIFT HANDLE ASSEMBLY		1	
3	0010	40011130	SCREW (M6 x 30) Stainless Steel		1	
4	0010	88552630	SCREW (M8 x 30)		1	
5	0000	879346T15	COVER Shift Handle-Mercury		1	
6	0000	879346T05	THROTTLE GRIP ASSEMBLY		1	
7	0000	879346T06	GRIP Rubber		1	
8	0011	8M0034107	NUT		1	
9	0012	8M0024573	WASHER		1	
10	0000	8M0022037	GROMMET		1	
11	0000	879346T08	CHASSIS Throttle Grip		1	
12	0000	8M0030401	CAP Handle Trim Switch		1	
13	0010	4005685	SCREW (M4 x 10)		2	
14	0023	8M0021535	BUSHING		2	
15	0017	8M0022764	DOWEL PIN		2	
16	0000	879346T16	BEARING CAP		1	
17	0010	88552514	SCREW (M6 x 14 MM) Stainless Steel		3	
18	0025	879346T19	GROMMET		1	
19	0023	8M0035136	BUSHING		2	
20	0000	8M0045301	GROMMET		1	
21	0010	823567105	SCREW (M10 x 105) Hex Flange - Stainless Steel		1	
22	0012	4002319	WASHER		1	
23	0012	12024	WASHER (.402 x .787 x .039 Bellevi)		1	
24	0023	8M0031370	BUSHING		1	
25	0000	879346T26	BRACKET		1	
26	0011	826292	NUT (M10) Brass/Nickel Plated		1	
27	0010	82484890	SCREW (M10 x 90)		2	
28	0014	8M0044744	TAB WASHER		2	
29	0012	4002319	WASHER		2	
30	0000	879346T12	TILT LOCK ASSEMBLY		1	
31	0000	879346T11	HANDLE		1	
32	0037	8M0033313	DECAL On-Off-Start		1	
33	0037	8M0029029	DECAL Throttle		1	
34	0037	8M0029030	DECAL R-N-F		1	
35	0000	879347T07	GEAR PLATE ASSEMBLY		1	
36	0000	879347A04	SHIFT ARM AND GEAR ASSEMBLY		1	
37	0023	8M0022826	BUSHING		2	
38	0053	29641	E RING		1	
39	0000	879347A05	THROTTLE GEAR ASSEMBLY		1	

Tiller Handle Kit (Big Tiller-Manual)

# Tiller Handle Kit (Big Tiller-Manual)

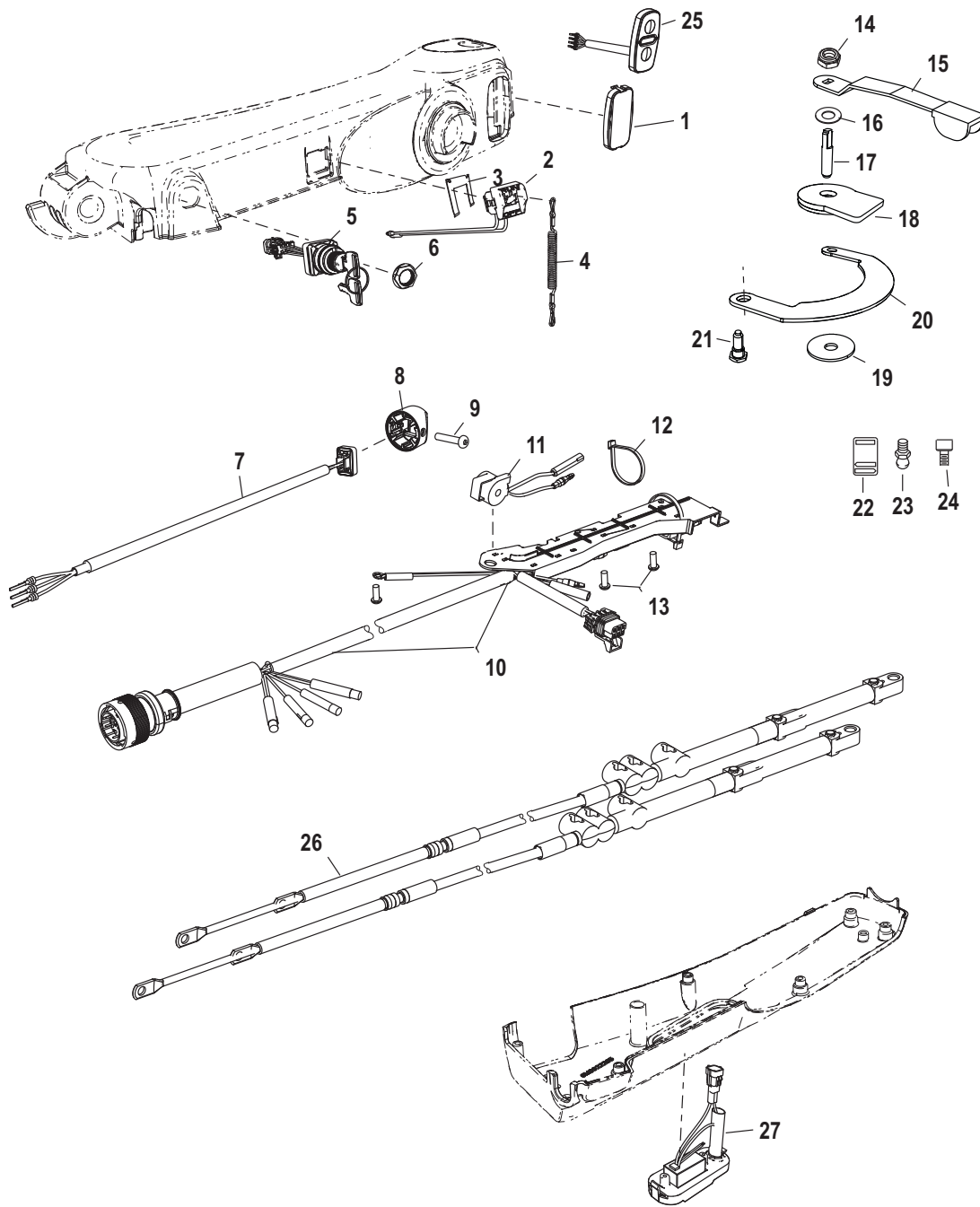


41584

## Tiller Handle Kit (Big Tiller-Manual)

Ref #	Part Class	Part Number	Description	Comments	Qty	Note
40	0053	29641	E RING		1	
41	0017	8M0028305	PIN		1	
42	0015	8M0028540	SHIM (.005)		AR	
42	0015	8M0028541	SHIM (.010)		AR	
42	0015	8M0028542	SHIM (.020)		AR	
42	0015	8M0028543	SHIM (.040)		AR	
43	0023	8M0027443	PILLOW BLOCK		1	
44	0023	8M0028294	BUSHING		2	
45	0010	88552530	SCREW (M6 x 30 MM) Stainless Steel		2	
46		NSS	NOT SOLD SEPARATE Throttle Shaft		1	
47	0000	8M4501323	BLOCK Friction		1	
48	0010	8M0031550	SCREW (M4 x 0.7 x 16)		3	
49	0000	879347A08	SPRING AND GUIDE KIT		1	
50	0000	8M0028323	RETAINER		1	
51	0084	879347T06	SWITCH Neutral		1	
52	0010	8M0034874	SCREW (M3 x 0.5)		2	
53	0011	8M0034875	NUT (M3 x 0.5 Hex)		2	
54	0010	8M0085515	SCREW (#8 - 32 x .375) Not included in Gear Plate Assembly		2	
55	0000	879346T04	COVER Steering Handle, Lower		1	
56	0010	4001991	SCREW (M4 x 35)		2	
57	0000	879346T10	COVER Switch/Light		1	
58	0025	828249	GROMMET		1	
59	0000	879346A03	THROTTLE FRICTION KNOB ASSEMBLY		1	
60	0053	29641	E RING		1	
61	0010	4001987	SCREW (M4 x 16)		6	
62	0010	8M0085515	SCREW (#8 - 32 x .375)		2	
63	0000	8M0028230	RETAINER		2	
64	0010	82130010	SCREW (M6 x 10)		2	
65	0000	879346T17	BRACKET Shift Mount		1	
-	0090	899984003	INSTALLATION MANUAL Big Tiller, Manual		1	
-	0090	8M0063659	OPERATION MANUAL Big Tiller - Manual, Mechanical and DTS		1	

# Tiller Handle Kit Components (Big Tiller-Manual)



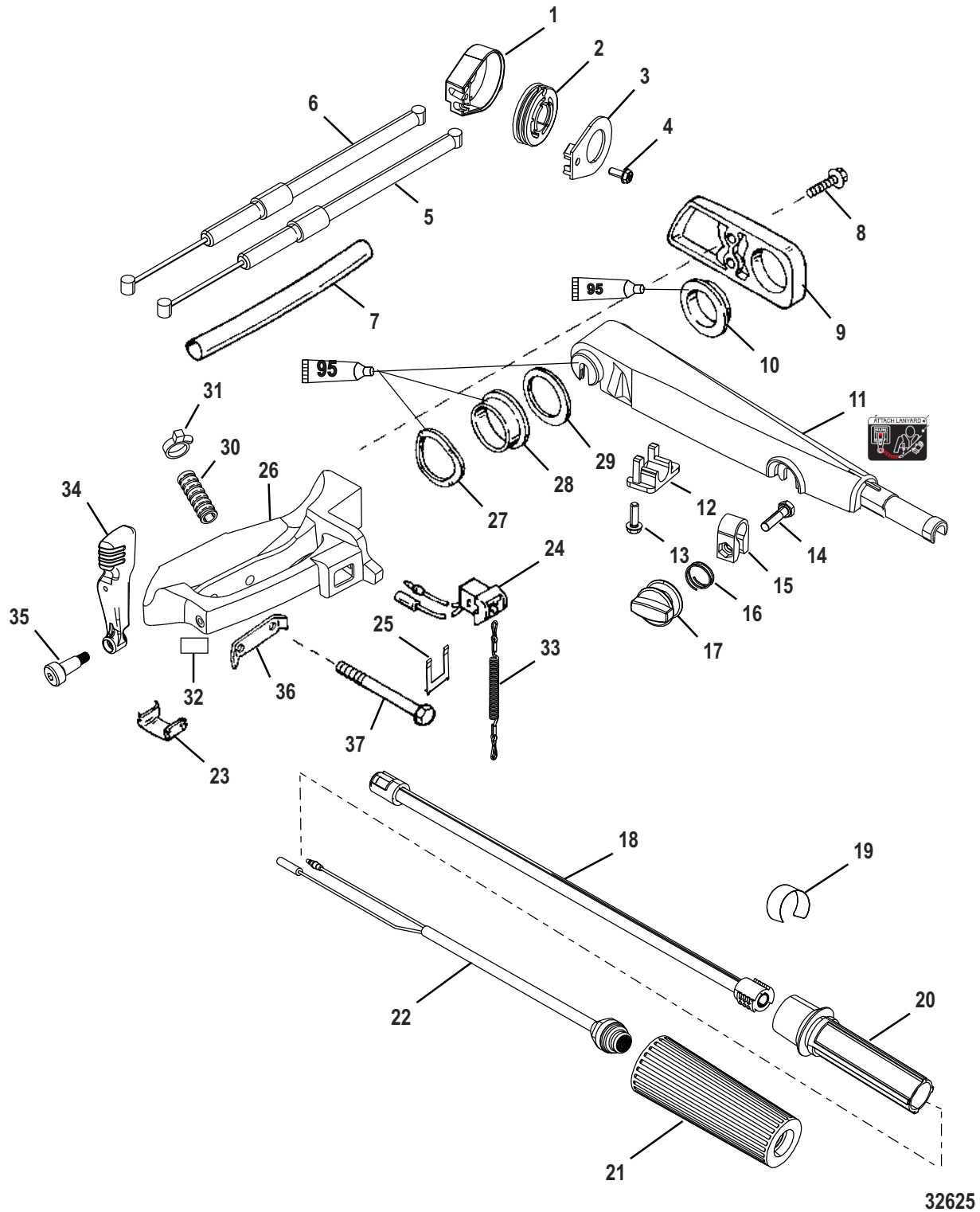
41585



## Tiller Handle Kit Components (Big Tiller-Manual)

Ref #	Part Class	Part Number	Description	Comments	Qty	Note
-	0000	879291A04	TILLER HANDLE ASSEMBLY Big Tiller, 40-60 EFI FourStroke, Manual Mechanical Non Power Steering	(Gearcase Models Only)	1	
1	0000	879346T20	COVER		1	
2	0000	879347A01	EMERGENCY STOP SWITCH		1	
3	0000	8M0032846	RETAINER Brass		1	
4	0000	8M0092851	LANYARD CORD ASSEMBLY 70 inch		1	
5	0087	897716K01	SWITCH KIT Ignition (3 Position) With Keys	See Switch Kit parts breakdown for replacement keys.	1	
6	0011	897716001	NUT Plastic-Key Switch		1	
7	0000	879347A02	TRIM SWITCH ASSEMBLY		1	
8	0000	8M0030401	CAP Handle Trim Switch		1	
9	0010	4005685	SCREW (M4 x 10)		2	
10	0000	879347A03	HARNESS AND PLATE ASSEMBLY		1	
11	0084	8M3001068	ALARM ASSEMBLY Audio Warning		1	
12	0054	816311T	TIE STRAP (8.00 Inches)		3	
13	0010	4005685	SCREW (M4 x 10)		3	
14	0011	826709113	NUT (.375-24) Stainless Steel		1	
15	0000	823792	LEVER		1	
16	0012	29330	WASHER		1	
17	0000	821961	ROD		1	
18	0000	8M0006845	PLATE/DISC ASSEMBLY Brake		1	
19	0000	8165621	DISC		1	
20	0000	8M0007471	PLATE Swivel Head		1	
21	0010	768042	SHOULDER SCREW Hex		1	
22	0037	8237011	DECAL Co-Pilot		1	
23	0022	74036	FITTING Grease		1	
24	0010	4008910	SCREW (M8 x 10) Stainless Steel		1	
25	0087	8M0083437	CONTROL KIT Trolling		1	
26	0000	8M0082354	CABLE KIT - THROTTLE AND SHIFT 40-60	Order Separate-Mechanical Application	1	
27	0087	897978T02	LED LIGHT AND SWITCH KIT	Optional - Order Separate	1	

# Tiller Handle Kit (Jet 35/40)



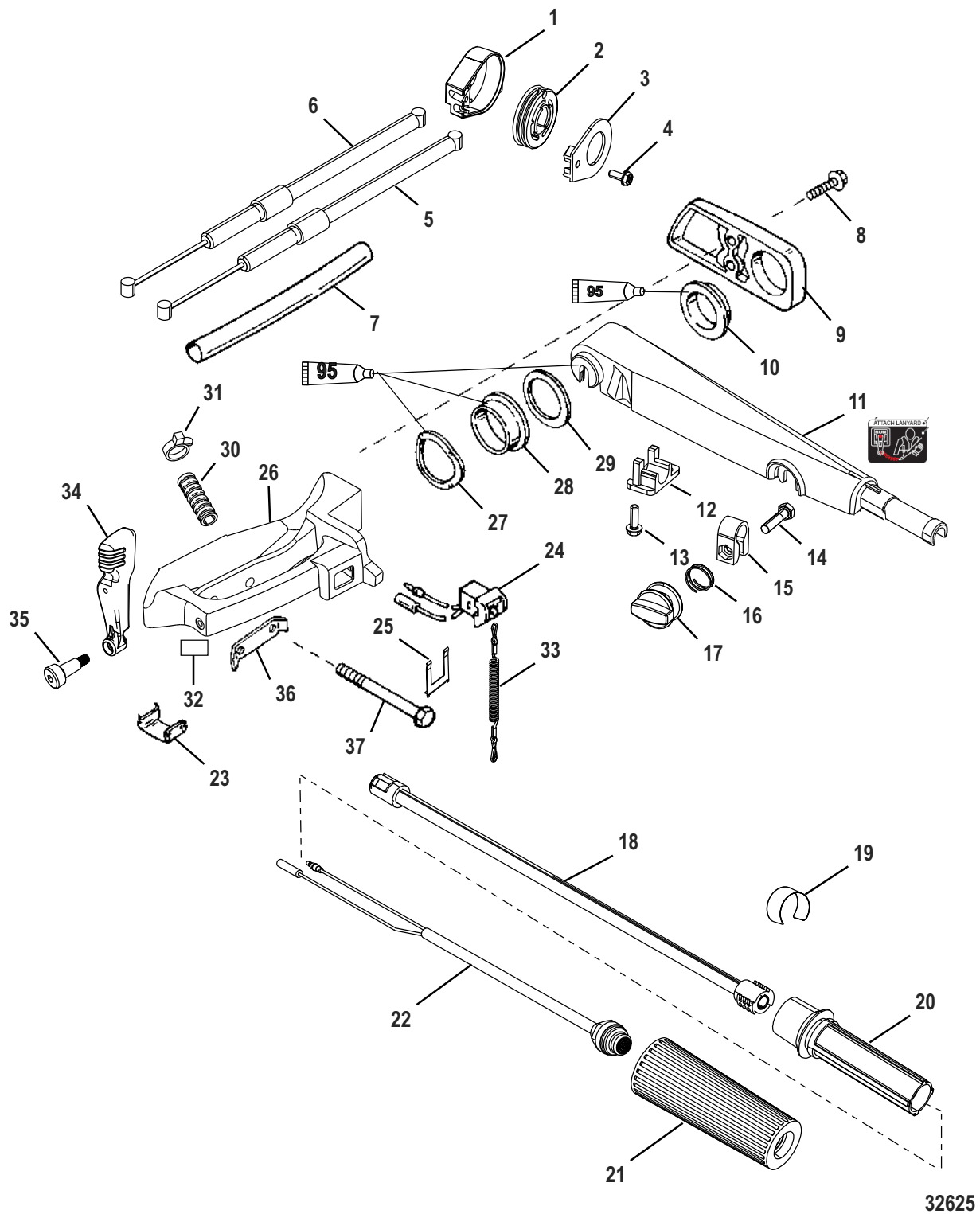
32625

## Tiller Handle Kit (Jet 35/40)

Ref #	Part Class	Part Number	Description	Comments	Qty	Note
-	0000	889246A37	CONVERSION KIT Tiller Handle - Electric Remote Control to Electric Handle		1	
1	0000	822148A6	COVER KIT		1	
2	0000	822150	PULLEY		1	
3		NSS	NOT SOLD SEPARATE Case		1	
4	0010	878608	SCREW (#10-16 x .500)		1	
5	0000	4324210	CABLE ASSEMBLY Throttle (30.50 Inches)		1	
6	0000	4324211	CABLE ASSEMBLY Throttle (41.50 Inches)		1	
7	0085	960099	SLEEVE (12.00 Inches)		1	
8	0010	82526225	SCREW (M8 x 25 MM)		2	
9	0000	822407F1	COVER		1	
10	0023	821477	BUSHING 1.485-1.475 Inside Diameter		1	
11	0000	828813T1	ARM Steering Handle		1	
-	0037	8M0032728	DECAL Lanyard, Black		1	
12	0000	822441	RETAINER		1	
13	0010	40011107	SCREW (M5 x 16) Stainless Steel		1	
14	0010	4000330	SCREW (M6 x 25)		1	
15	0000	892995	LOCK Throttle		1	
16	0024	96203	SPRING		1	
17	0000	821972T	KNOB Throttle		1	
18	0000	821463A2	TILLER TUBE		1	
19	0037	8242004	DECAL		1	
20	0000	821465	HANDLE Throttle		1	
21	0000	99589003	GRIP		1	
22	0087	823609A14	SWITCH Stop		1	
23	0000	823687	CLIP		2	
24	0087	11083A31	SWITCH Stop		1	
25	0000	120441	RETAINER Brass		1	
26	0000	821455A4	BRACKET Tiller		1	
27	0013	826792	WAVE WASHER		1	
28	0023	821477	BUSHING 1.485-1.475 Inside Diameter		1	
29	0012	827314	WASHER		1	
30	0032	828547633	CONDUIT (.620 Inside Diameter x 3.00 Feet Bulk)		1	
31	0054	816311T	TIE STRAP (8.00 Inches)		1	
32	0037	82409316	DECAL F-N-R Shift		1	
33	0000	15920Q54	LANYARD ASSEMBLY		1	[1]
34	0000	830180A01	HANDLE KIT Shift		1	
35	0010	8M0021519	SHOULDER SCREW (10 x 20)		1	
36	0014	8M0009820	TAB WASHER		1	
37	0010	82484890	SCREW (M10 x 90)		2	

Tiller Handle Kit (Jet 35/40)

# Tiller Handle Kit (Jet 35/40)



Tiller Handle Kit (Jet 35/40)

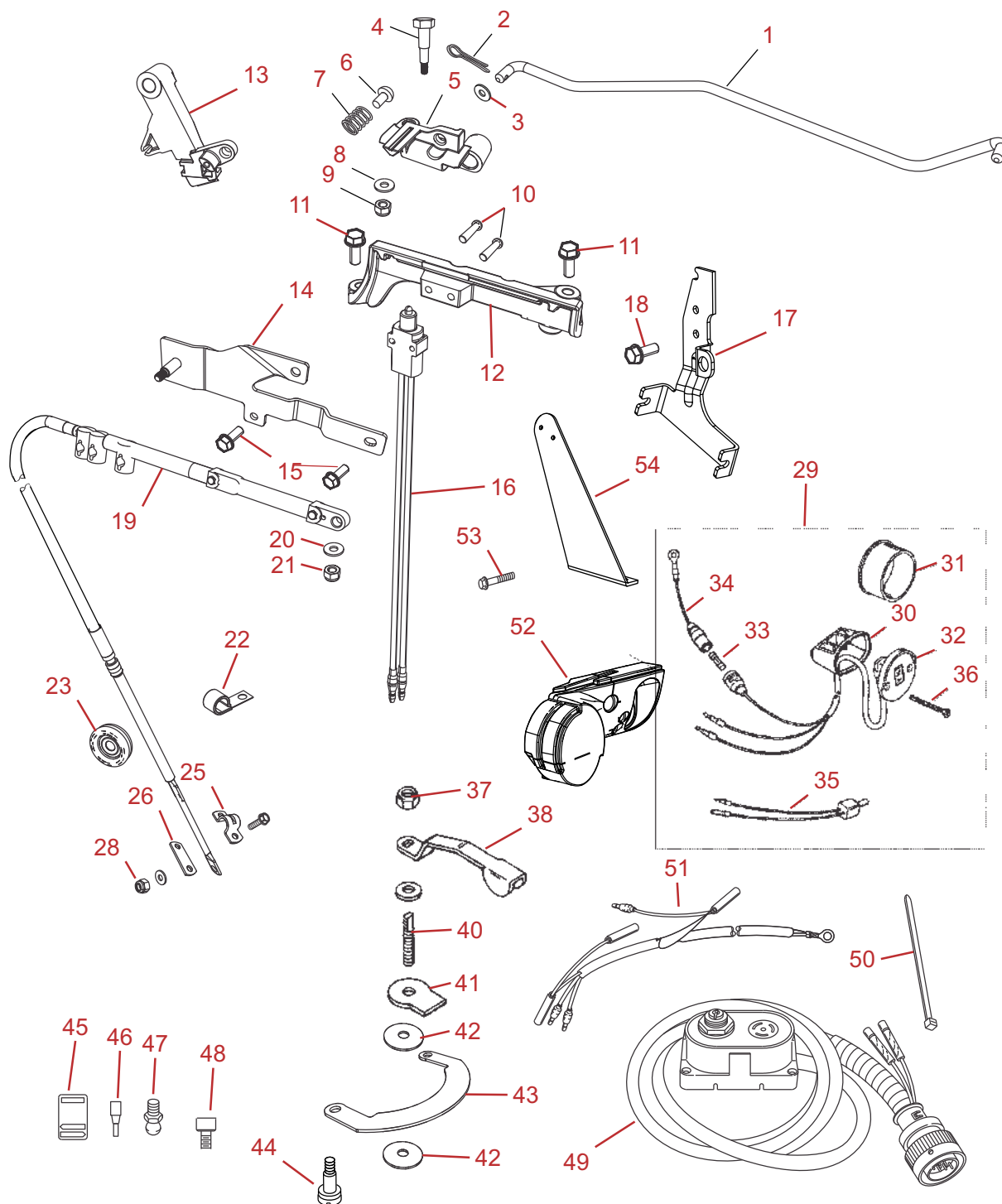
**Cat.# 90-8M0118807**

## Tiller Handle Kit (Jet 35/40)

**PART NOTES:**

- [1] - Alternate part numbers:  
15920Q54QS  
15920T54MPP

# Tiller Handle Kit Components (Jet 35/40)



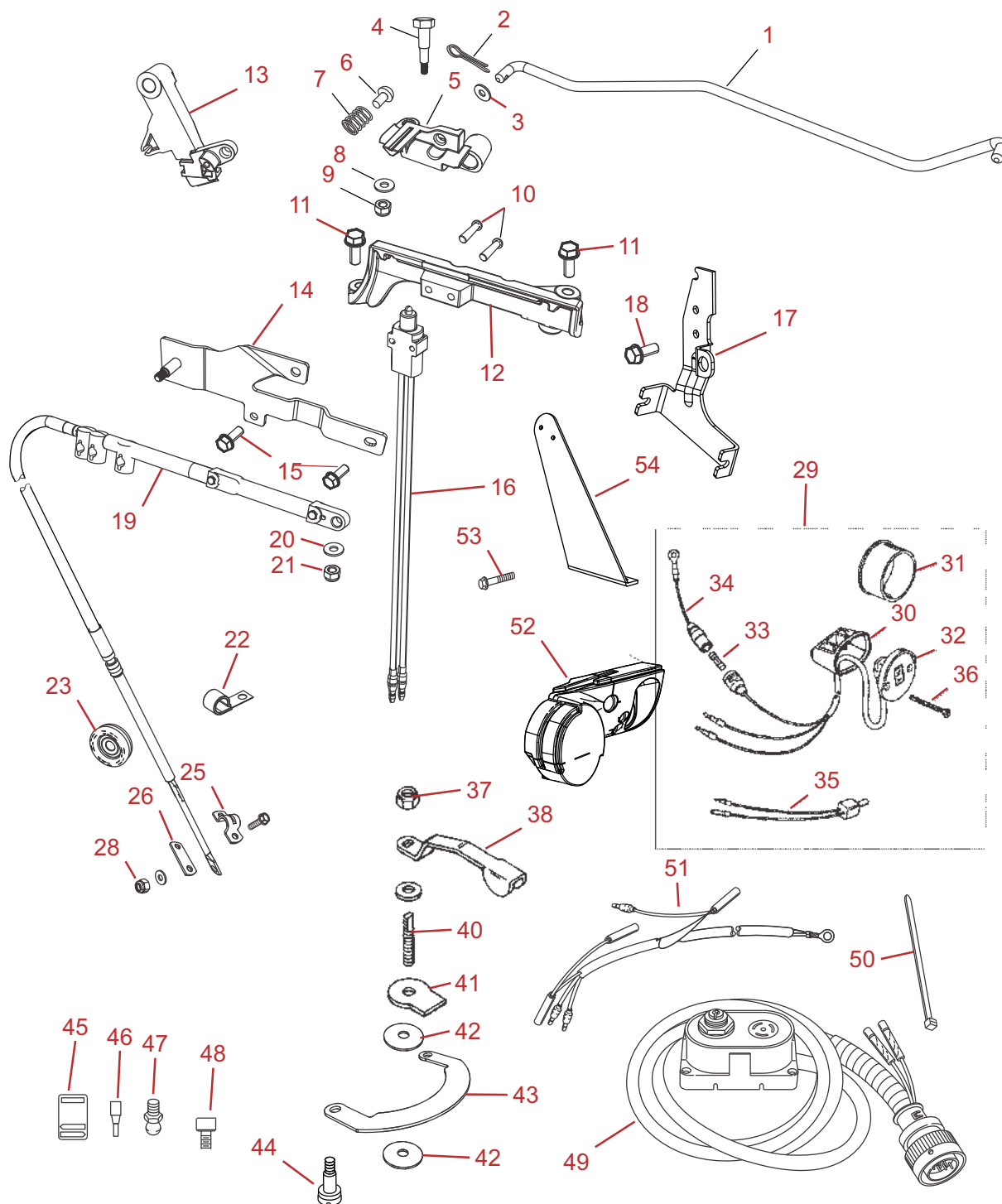
35817

## Tiller Handle Kit Components (Jet 35/40)

Ref #	Part Class	Part Number	Description	Comments	Qty	Note
-	0000	889246A37	CONVERSION KIT Tiller Handle - Electric Remote Control to Electric Handle		1	
1	0000	8M0005914	ROD Shift		1	
2	0018	210711	COTTER PIN		1	
3	0012	29245	WASHER (.281 x .500 x .060) Stainless Steel		1	
4	0017	8M0020425	PIN		1	
5	0000	898289T35	SLIDE		1	
6	0000	12016A2	DETENT/SPRING KIT		1	
7		NSS	NOT SOLD SEPARATE Spring		1	
8	0012	4002314	WASHER		1	
9	0011	401365	NUT (M5) Stainless Steel		1	
10	0010	69570	SCREW (#10-16 x .750)		2	
11	0010	82130020	SCREW (M6 x 20)		2	
12	0000	898289T33	BRACKET		1	
13	0000	898289T36	LEVER		1	
14	0000	898289T34	BRACKET		1	
15	0010	1993716	SCREW (M6 x 16)		3	
16	0087	8M0021265	SWITCH ASSEMBLY		1	
17	0000	830294T3	BRACKET		1	
18	0010	40011128	SCREW (M6 x 20) Stainless Steel		1	
19	0000	897978A03	CABLE ASSEMBLY Throttle/Shift		1	
20	0012	35462	WASHER (.2656 x .625 x .0625) Stainless Steel		1	
21	0011	401366	NUT (M6) Stainless Steel		1	
22	0054	858951	J CLIP		1	
23	0025	8M0001537	GROMMET		1	
24	0010	4001987	SCREW (M4 x 16)		2	
25	0000	8M0009401	CLIP		1	
26	0054	8M0009400	CLIP		1	
27	0012	38833	WASHER		2	
28	0011	8M0000839	NUT (M4) Nylon Insert		2	
29	0087	18286A18	SWITCH KIT Trim (10.00 Feet)		1	
30	0000	18861	RETAINER		1	
31	0000	814820	ADAPTER		1	
32		NSS	NOT SOLD SEPARATE		1	
33	0088	79091	FUSE 20 Ampere		1	
34	0084	95084A2	CABLE ASSEMBLY		1	
35	0084	11149A2	CABLE ASSEMBLY (6.00 Inches)		1	
36	0010	19209	SCREW (#10-32 x 2.25)		2	
36	0010	813523	SCREW (#10-16 x 2.25)		2	
37	0011	826709113	NUT (.375-24) Stainless Steel		1	
38	0000	823792	LEVER		1	
39	0012	29330	WASHER		1	
40	0000	821961	ROD		1	
41	0000	821957	BRAKE PLATE		1	

Tiller Handle Kit Components (Jet 35/40)

# Tiller Handle Kit Components (Jet 35/40)



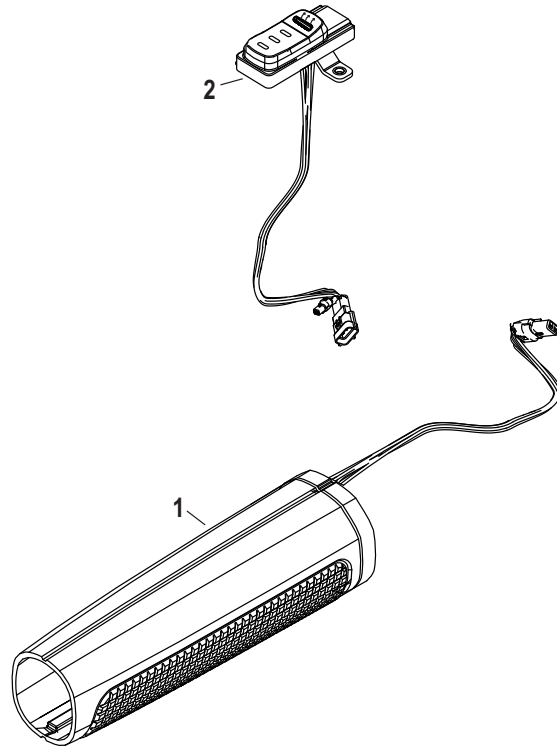
35817



## Tiller Handle Kit Components (Jet 35/40)

Ref #	Part Class	Part Number	Description	Comments	Qty	Note
42	0000	8165621	DISC		2	
43	0000	8M0007471	PLATE Swivel Head		1	
44	0010	768042	SHOULDER SCREW Hex		2	
45	0037	8237011	DECAL Co-Pilot		1	
46	0000	13541	PLUG Male		2	
47	0022	74036	FITTING Grease		1	
48	0010	4008910	SCREW (M8 x 10) Stainless Steel		1	
49	0000	15000A14	KEY SWITCH KIT Remote Ignition		1	
50	0054	816311T	TIE STRAP (8.00 Inches)		3	
51	0084	852375A6	HARNESS ASSEMBLY Extension		1	
52	0000	8M0028682	GROMMET		1	
53	0010	88552535	SCREW (M6 x 35 MM) Stainless Steel		1	
54	0000	8M0034273	BRACKET		1	

Heated Grip



71563

Cat.# 90-8M0118807

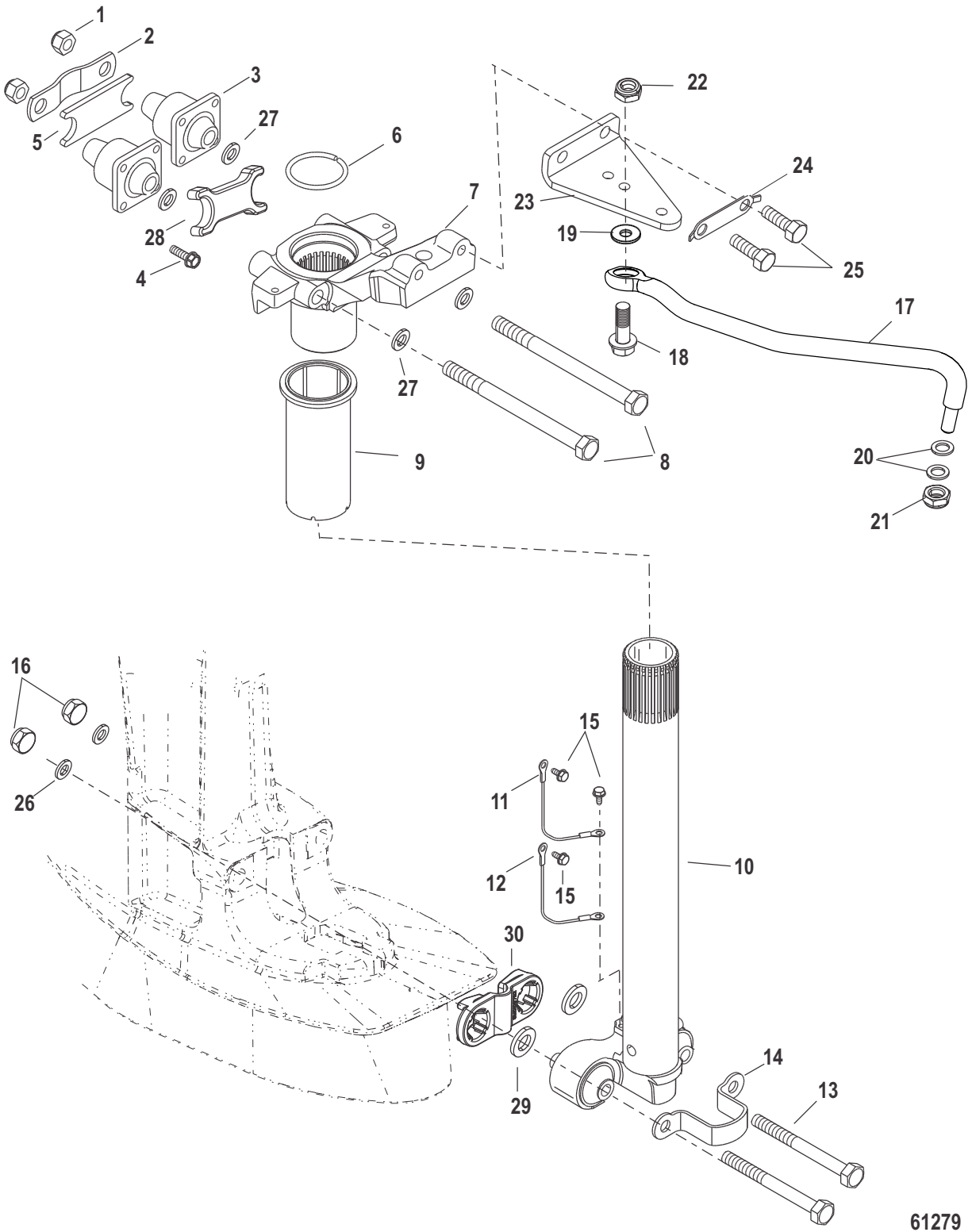
## Heated Grip

Ref #	Part Class	Part Number	Description	Comments	Qty	Note
-	0000	8M0158400	HEATED GRIP KIT		1	
1	0000	8M0158048	GRIP ASSEMBLY Heated		1	
2	0000	8M0161146	HEATED GRIP BUTTON		1	

---

Heated Grip

# Steering Arm

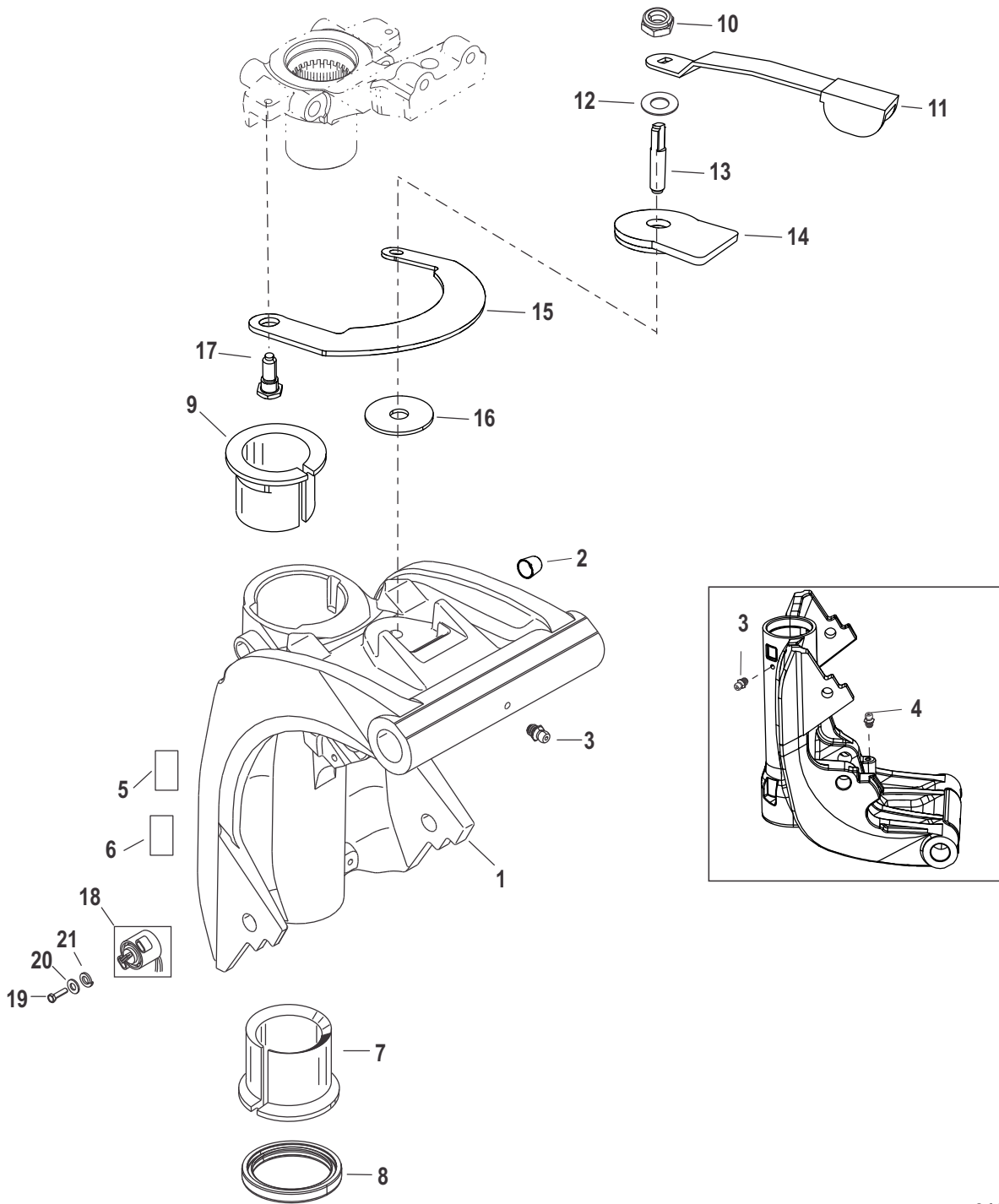


61279

## Steering Arm

Ref #	Part Class	Part Number	Description	Comments	Qty	Note
1	0011	896895	NUT (M12)		2	
2	0000	893773002	STRAP Upper Mount		1	
3	0000	893655T	MOUNT Upper		2	
4	0010	40011128	SCREW (M6 x 20) Stainless Steel		8	
5	0000	826658	BUMPER		2	
6	0053	89531	RING Retaining		1	
7	0000	8M0118183	ARM Steering		1	
8	0010	898835	SCREW (M12 X1.75)		2	
9	0023	8279971	SPACER	Long	1	
9	0023	8279973	SPACER	Jet	1	
10	0000	893590T04	SWIVEL TUBE	Long	1	
10	0000	850175T03	SWIVEL TUBE ASSEMBLY Short	Jet	1	
11	0084	88238T01	CABLE ASSEMBLY		1	
12	0000	88238A13	CABLE ASSEMBLY Ground	Long/Jet	1	
13	0010	892086120	SCREW (M10 x 120)		2	
14	0000	893703	STRAP Lower Mount		1	
15	0010	878607	SCREW (#10-16 x .375)		3	
16	0011	40140	NUT (M10)		2	
17	0000	8M0026161	LINK ROD	Non Handle	1	
18	0010	823919	SCREW (.375-24 x 1.500)	Non Handle	1	
19	0012	8M0109680	WASHER (.39 X .546 X .12)	Non Handle	1	
20	0012	37828	WASHER (.390 x .625 x .062) Stainless Steel	Non Handle	2	
21	0011	8M0042636	NUT (.375-24) Brass	Non Handle	1	
22	0011	826709113	NUT (.375-24) Stainless Steel	Non Handle	1	
23	0000	893696	BRACKET Ride-Guide	Non Handle	1	
24	0014	8M0009820	TAB WASHER	Non Handle/Jet	1	
25	0010	4000377	SCREW (M10 x 30)	Non Handle	2	
26	0012	4002319	WASHER		2	
27	0012	856982	WASHER (.500 x .810 x .090) Stainless Steel		4	
28	0000	8M0106686	SNUBBER	SeaPro Only	1	
29	0012	8M0110160	WASHER (22 X 11 X 3.4)		2	
30	0000	8M0106792	SNUBBER	SeaPro Only	1	

# Swivel Bracket



61280

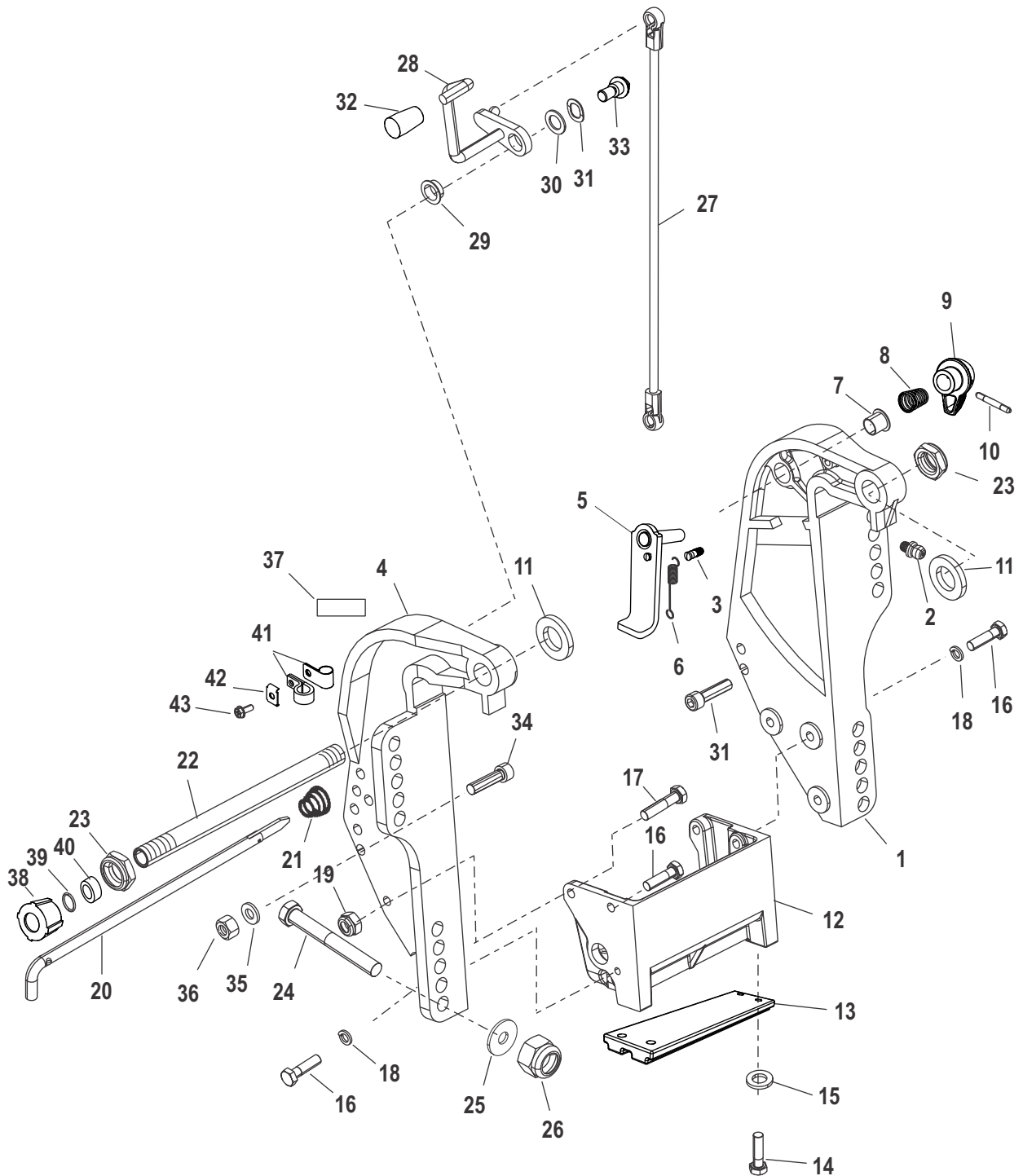
## Swivel Bracket

Ref #	Part Class	Part Number	Description	Comments	Qty	Note
1	1401	850066T01	SWIVEL BRACKET		1	
2	0023	19606	BEARING Trim Pin		2	
3	0022	74036	FITTING Grease		2	
4	0022	74036	FITTING Grease	Handle	1	[1]
5	0037	8237011	DECAL Co-Pilot	Handle	1	[1]
6		NSS	NOT SOLD SEPARATE Decal-Serial Overlaminate		1	
7	0023	821777	BUSHING Lower		1	
8	0026	822404	SEAL		1	
9	0023	8217711	BUSHING		1	
10	0011	826709113	NUT (.375-24) Stainless Steel	Handle	1	[1]
11	0000	823792	LEVER Co-Pilot	Handle	1	[1]
12	0012	29330	WASHER	Handle	1	[1]
13	0000	821961	ROD Threaded	Handle	1	[1]
14	0000	8M0006845	PLATE/DISC ASSEMBLY Brake	Handle	1	[1]
15	0000	8M0007471	PLATE Swivel Head	Handle	1	[1]
16	0000	8165621	DISC Friction	Handle	1	[1]
17	0010	768042	SHOULDER SCREW Hex	Handle	2	[1]
18	0000	8M0098264	TRIM SENDER KIT Natural		1	
19	0010	41069	SCREW (#10-24 x .750)		2	
20	0013	26996	LOCKWASHER (#10) Stainless Steel		2	
21	0012	89302	WASHER (.203 x .406 x .040)		2	
-	0000	880093A03	TILLER HANDLE CONVERSION KIT 40/50/60 HP EFI		1	

## PART NOTES:

[1] - COMPONENT OF TILLER HANDLE KIT 880093A03

# Transom Bracket



61502

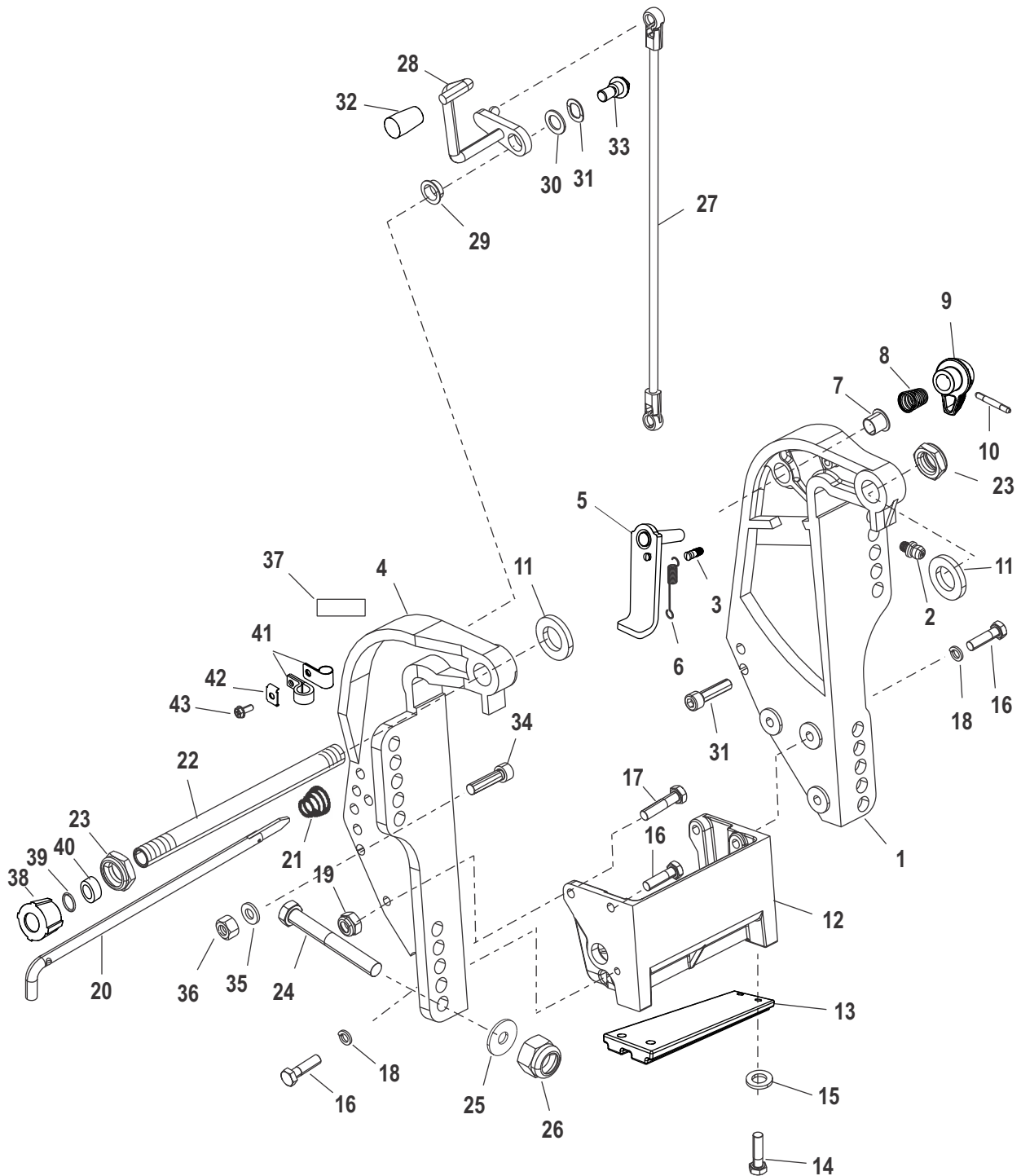


## Transom Bracket

Ref #	Part Class	Part Number	Description	Comments	Qty	Note
1	3418	822866T04	BRACKET Transom - Port		1	
2	0022	98727	FITTING Grease		1	
3	0017	99604	PIN Groove		1	
4	3418	822865T05	BRACKET Transom - Starboard		1	
5	0000	893704T01	LEVER Tilt Lock		1	
6	0024	99622	SPRING		1	
7	0023	65830	NYLINER		1	
8	0024	812708	SPRING		1	
9	0000	8M0007470	KNOB		1	
10	0017	8M0021914	PIN (.125 x 30 mm)		1	
11	0012	19619	WASHER		2	
12	0000	18486A08	BRACKET KIT Anchor		1	
13	0097	818298Q1	ANODE KIT		1	[1]
14	0010	4000330	SCREW (M6 x 25)		2	
15	0012	29245	WASHER (.281 x .500 x .060) Stainless Steel		2	
16	0010	85594030	SCREW (M8 x 30)	Included with Anchor Bracket Kit	5	
17	0010	8M0000586	SCREW (M8 x 35)	Included with Anchor Bracket Kit	1	
18	0012	8M0109650	WASHER (.33 X .56 X .06)	Included with Anchor Bracket Kit	4	
19	0011	401388	NUT (M8) Stainless Steel		2	
20	0017	8M0026068	PIN ASSEMBLY Tilt Lock	Non Power Trim	1	
21	0024	821461	SPRING	Non Power Trim	1	
22	0000	8M0041938	TILT TUBE		1	
23	0011	858869	NUT (.875-14)		2	
24	0010	814259	SCREW (.500-20 x 4.00)		4	
25	0012	8M0109675	WASHER (.516 X 1.5 X .12)		4	
26	0011	82671117	NUT (.500-20)		4	
27	0000	1938525	LINK	Non Power Trim	1	
28	0000	19615A05	LEVER ASSEMBLY Tilt	Non Power Trim	1	
29	0023	812707	BUSHING	Non Power Trim	1	
30	0012	8M0042643	WASHER (.520 x .850 x .060) Nylon, Black	Non Power Trim	1	
31	0013	99611	WAVE WASHER	Non Power Trim	1	
32	0000	8M0007469	KNOB Tilt	Non Power Trim	1	
33	0010	19611	SCREW (.375-16 x .62)	Non Power Trim	1	
34	0010	4009040	SCREW (M10 x 40) Stainless Steel		2	
35	0012	4002319	WASHER		2	
36	0011	40140	NUT (M10)		2	
37	0037	830253	DECAL Tilt Lock	Non Power Trim	1	
38	0000	19624A1	SEAL KIT	Non Power Trim	1	
39	0032	26919	LINE Fuel	Non Handle	1	
40	0023	78861	SPACER	Non Handle	1	
41	0054	22740	CLIP	Power Trim	2	
42	0000	8M0084613	C-WASHER	Power Trim	1	

Transom Bracket

# Transom Bracket



61502

Cat.# 90-8M0118807

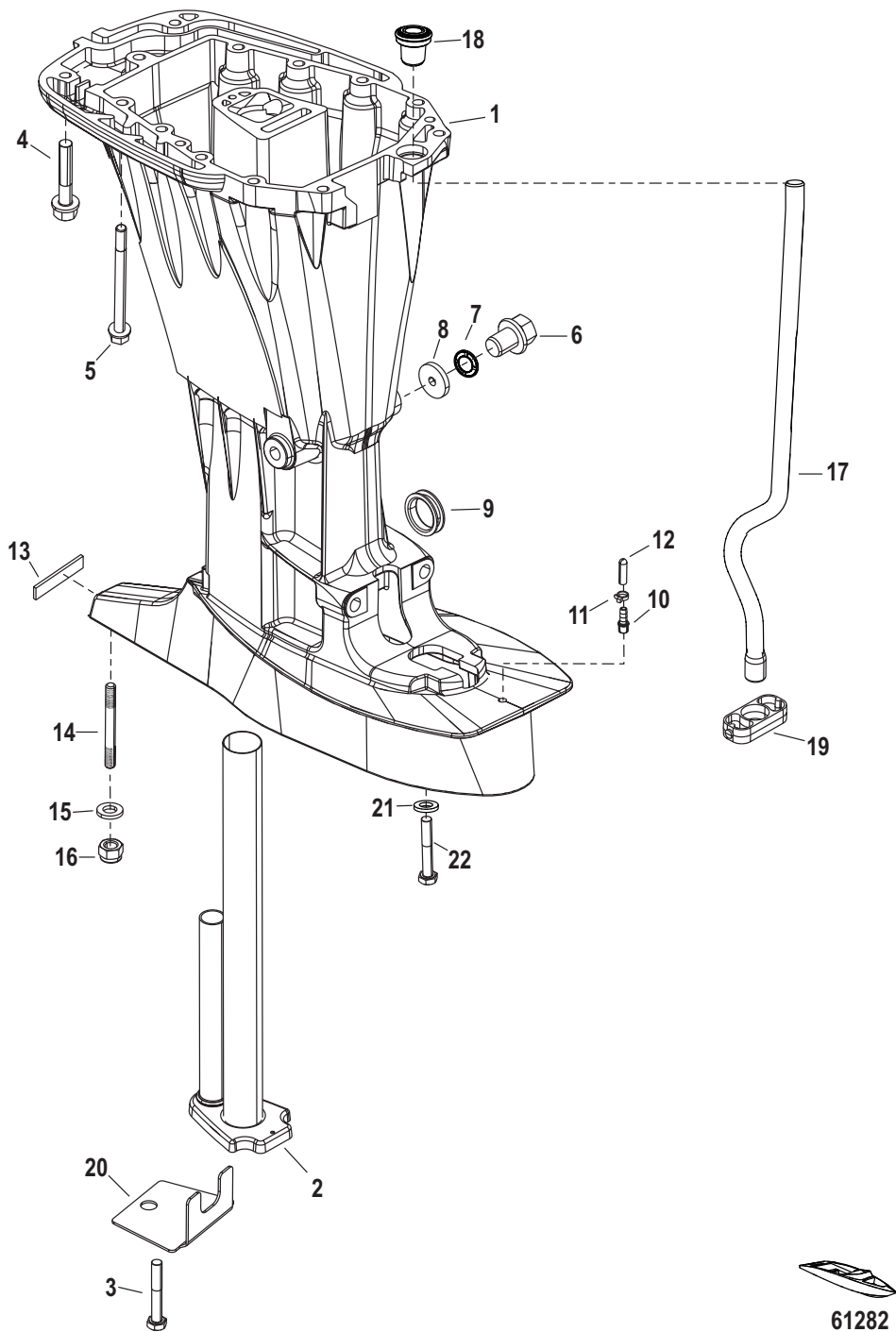
## Transom Bracket

Ref #	Part Class	Part Number	Description	Comments	Qty	Note
43	0010	878609	SCREW (#10-16 x .600)	Power Trim	1	

**PART NOTES:**

- [1] - Alternate part numbers:  
818298A 1Service Part  
818298Q 1QS  
818298T 1MPP  
818298T 3Magnesium  
8M0059343Bulk Pack

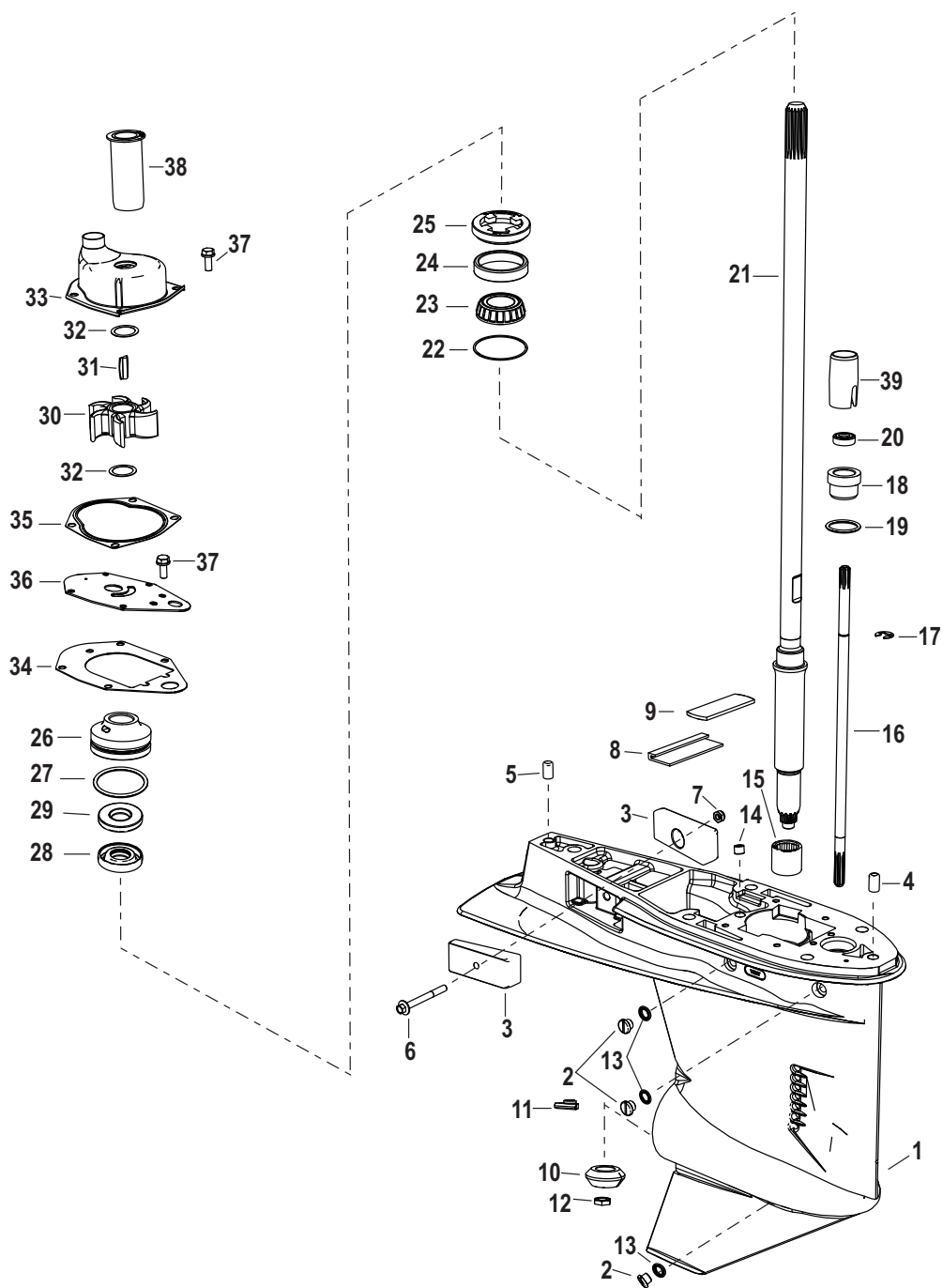
# Driveshaft Housing



## Driveshaft Housing

Ref #	Part Class	Part Number	Description	Comments	Qty	Note
1	1500	8M0118178	HOUSING Driveshaft- Long		1	
1	1503	852421T09	HOUSING Driveshaft	Jet	1	
2	0000	825220T06	PIPE Exhaust	Long	1	
2	0000	8M0161064	PIPE Exhaust	Jet	1	
3	0010	1993325	SCREW (M10 x 25 MM)	Long/Jet	1	
4	0010	88960845	SCREW (M8 x 45)		5	
5	0010	824459110	SCREW (M8 x 110) Stainless Steel		8	
6	0000	8288181	PLUG Drain		1	
7	0026	8M0007119	SEAL Drain Plug		1	
8	0000	826276	BUMPER		1	
9	0025	828817001	GROMMET	Non-Jet	1	
10	0022	13035002	FITTING	Non-Jet	1	
11	0054	816311T	TIE STRAP (8.00 Inches)	Non-Jet	1	
12	0019	892286	CAP	Non-Jet	1	
13	0000	8M0043364	BUMPER	Non-Jet	1	
14	0016	823984	STUD (M10 x 50)	Non-Command Thrust/Non-Jet	1	
14	0016	903501	STUD (M10 x 100)	Command Thrust/Non-Jet	1	
15	0012	856774	WASHER (.406 x .750 x .105) Stainless Steel		1	
16	0011	40140	NUT (M10)	Non-Jet	1	
17	0032	897971A01	TUBE/SEAL KIT Water - Long		1	
17	0032	897970A01	TUBE/SEAL KIT Water - Short	Jet	1	
18	0026	8M0109684	SEAL Water Tube, Upper		1	
19	0054	828529	GUIDE		1	
20	0000	8M4503628	PLATE Driveshaft Housing		1	
21	0012	856774	WASHER (.406 x .750 x .105) Stainless Steel		4	
22	0010	4000380	SCREW (M10 x 45)		4	

# Gear Housing Driveshaft - 1.83:1 Gear Ratio



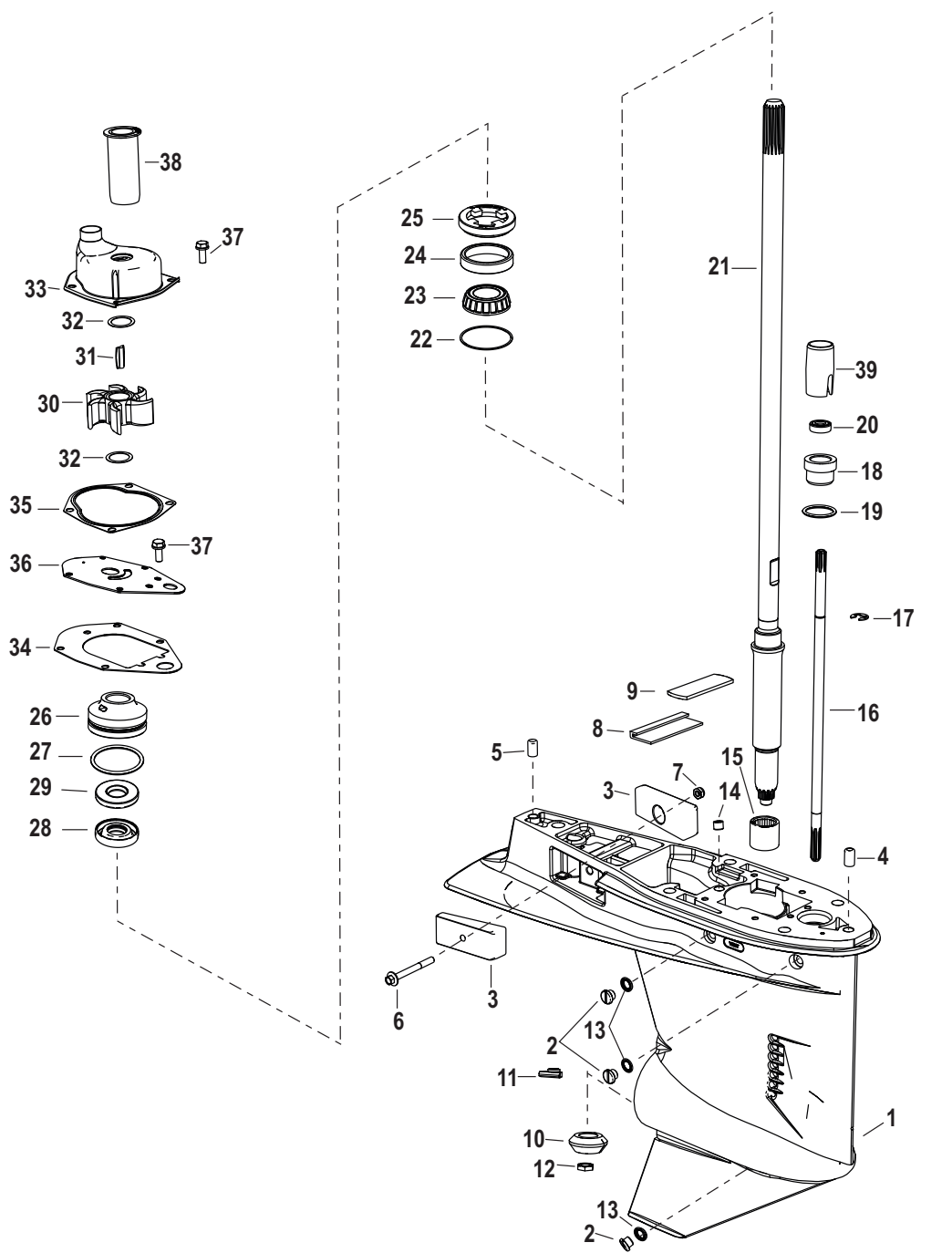
29305

## Gear Housing Driveshaft - 1.83:1 Gear Ratio

Ref #	Part Class	Part Number	Description	Comments	Qty	Note
-	0000	8M0086325	GEAR HOUSING ASSEMBLY Complete		1	
1	0000	893680T06	GEAR HOUSING ASSEMBLY Basic		1	
2	0022	8M0058389	SCREW KIT Drain		3	
3	0097	826134Q	ANODE		2	[1]
4	0017	8M0084244	PIN Dowel		1	
5	0017	43044	PIN Dowel - Without Hole (.375 x .625)		1	
6	0010	897657055	SCREW (M6 x 55)		1	
7	0011	401386	NUT (M6) Stainless Steel		1	
8	0000	818226A1	SEAL/PLATE KIT		1	
9		NSS	NOT SOLD SEPARATE Filler Plate		1	
10	0043	859103T	GEAR Pinion - 12 Teeth		1	
11	0000	842071A01	CAM/FOLLOWER KIT		1	
12	0011	55910	NUT (.437-20)		1	
13	0026	830749	SEAL		3	[2]
14	0022	878089	PLUG Pipe (.0625-27)		1	
15	0031	812768	BEARING Roller		1	
16	0000	889246A96	SHIFT SHAFT ASSEMBLY		1	
17	0053	29641	E RING		1	
18	0023	813696A2	BUSHING ASSEMBLY		1	
19	0025	45258	O-RING (.987 x .103)		1	[3]
20	0026	8164641	SEAL Oil		1	[3]
21	0045	859102	DRIVESHAFT Long		1	
22	0015	8M0063262	SHIM SET		AR	
23	0031	77420A1	BEARING ASSEMBLY Roller		1	
24		NSS	NOT SOLD SEPARATE Cup		1	
25	0011	8128201	NUT		1	
26	0046	812966A7	BASE ASSEMBLY Water Pump		1	[4]
27	0025	30224	O-RING (1.859 x .139)		1	[5]
28	0026	814669	SEAL Oil		1	[2]
29	0026	814670	SEAL Oil		1	[2]
30	0047	19453T	IMPELLER		1	[4]
31	0028	8M0032831	KEY Impeller		1	[4]
32	0012	8M0005777	WASHER		2	[4]
33	0000	14334A3	PUMP ASSEMBLY Water		1	[4]
34	0027	8M4502052	GASKET Lower Lower		1	[2]
35	0027	822189	GASKET Upper Water Pump		1	[2]
36	0000	19700A2	FACE PLATE		1	[4]
37	0010	8248324	SCREW (M6 x 16)		6	
38	0000	8M0109708	COUPLING Water Tube		1	[4]
39	0023	891637	BUSHING		1	
-	0026	814669A2	SEAL KIT Gear Housing		1	
-	0046	812966A12	REPAIR KIT Water Pump		1	

Gear Housing Driveshaft - 1.83:1 Gear Ratio

# Gear Housing Driveshaft - 1.83:1 Gear Ratio



29305

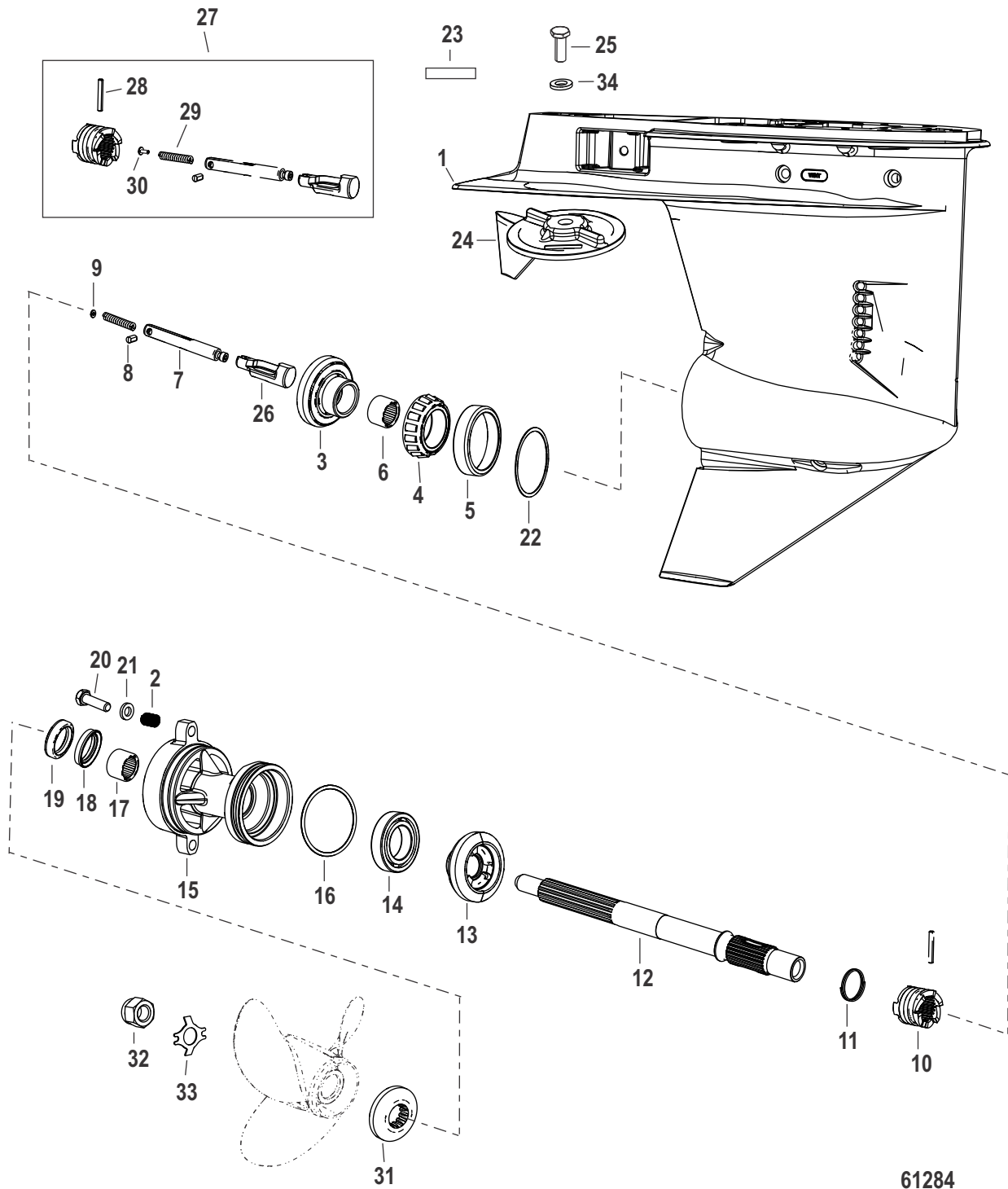


## Gear Housing Driveshaft - 1.83:1 Gear Ratio

**PART NOTES:**

- [1] - Alternate part numbers:
  - 826134Service Part
  - 826134QQS
  - 826134TMPP
  - 826134T 3Magnesium
  - 8M0059344Bulk Pack
- [2] - COMPONENT OF GEAR HOUSING SEAL KIT 43035A05  
COMPONENT OF WATER PUMP REPAIR KIT 812966A12
- [3] - COMPONENT OF GEAR HOUSING SEAL KIT 43035A05
- [4] - COMPONENT OF WATER PUMP REPAIR KIT 812966A12
- [5] - Alternate part numbers:
  - 30224Service Part
  - 30224QQS
  - COMPONENT OF GEAR HOUSING SEAL KIT 43035A05
  - COMPONENT OF WATER PUMP REPAIR KIT 812966A12

# Gear Housing Propeller Shaft - 1.83:1 Gear Ratio



61284

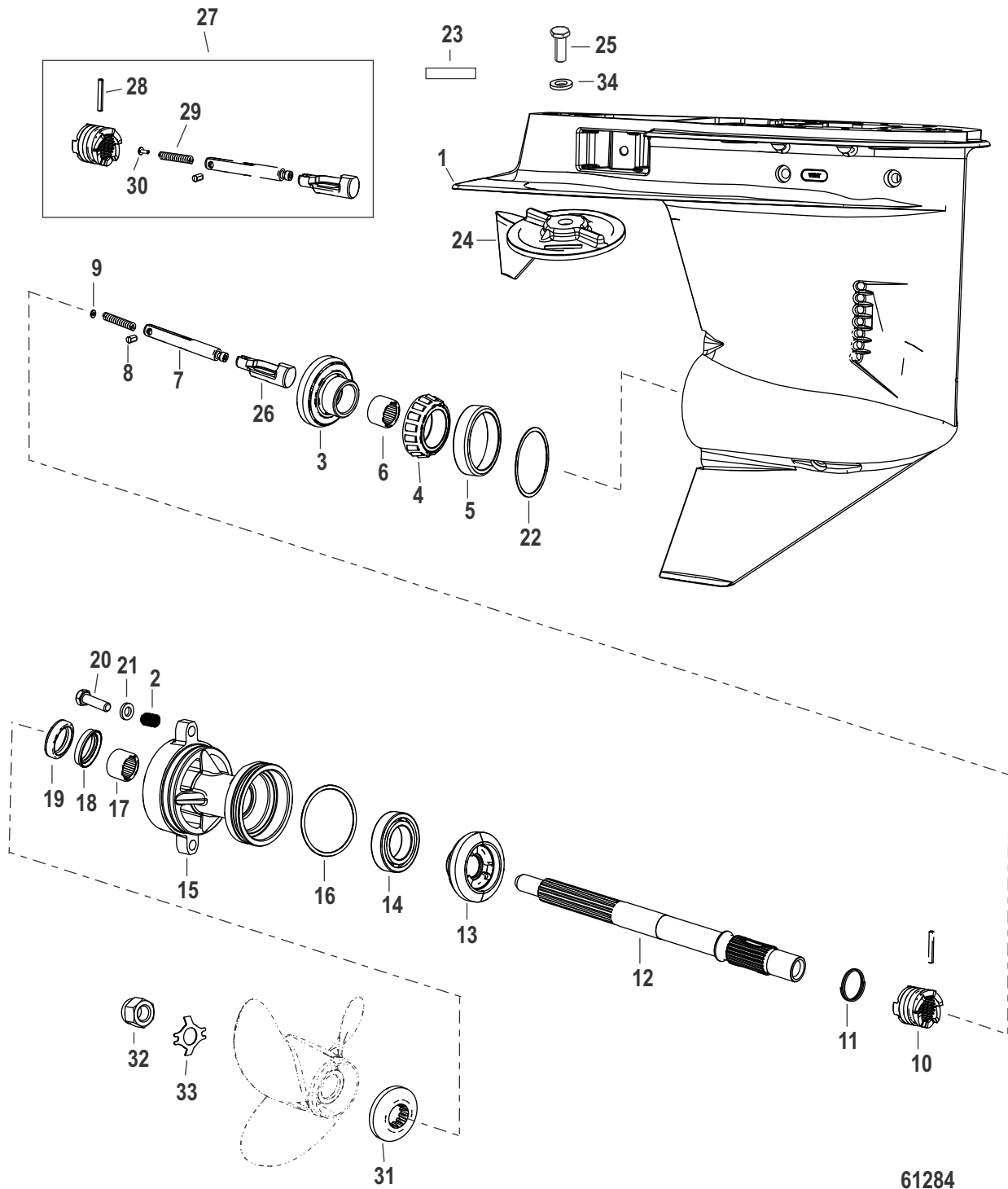
## Gear Housing Propeller Shaft - 1.83:1 Gear Ratio

Ref #	Part Class	Part Number	Description	Comments	Qty	Note
-	0000	8M0086325	GEAR HOUSING ASSEMBLY Complete		1	
1	0000	893680T06	GEAR HOUSING ASSEMBLY Basic		1	
2	0000	8227731	INSERT Threaded		2	
3	0043	859101T03	GEAR ASSEMBLY Forward		1	
4	0031	889246A95	BEARING ASSEMBLY Roller		1	
5		NSS	NOT SOLD SEPARATE Cup		1	
6	0031	21700	BEARING Needle		1	
7	0000	8M0005743	ROD ACTUATOR		1	
8	0017	8M0084682	PIN Spring		1	
9	0012	78910	WASHER		1	
10	0052	821314T01	CLUTCH		1	
11	0024	38114	SPRING		1	
12	0044	826193T03	PROPELLER SHAFT		1	
13	0043	859104T01	GEAR Reverse		1	
14	0030	20839T	BEARING Ball		1	
15	0000	19291A3	CARRIER ASSEMBLY Bearing		1	
16	0025	815460	O-RING		1	[1]
17	0031	21700	BEARING Needle		1	
18	0026	69188	SEAL Oil		1	[1]
19	0026	69189	SEAL Oil		1	[1]
20	0010	85594030	SCREW (M8 x 30)		2	
21	0012	855941	WASHER (.323 x .590 x .112) Stainless Steel		2	
22	0015	8M0063264	SHIM SET		AR	
23		NSS	NOT SOLD SEPARATE Decal-Gear Ratio		1	
24	0000	822157T03	TRIM TAB Aluminum		1	
24	0000	17264T2	TRIM TAB Zinc		1	
25	0010	1996230	SCREW (M10 x 30)		1	
26	0000	842071A01	CAM/FOLLOWER KIT		1	
27	0017	8M0091340	SPRING / PIN KIT		1	
28		NSS	NOT SOLD SEPARATE PIN		1	
29		NSS	NOT SOLD SEPARATE SPRING		1	
30		NSS	NOT SOLD SEPARATE GUIDE, Spring		1	
31	0000	73345A1	THRUST HUB		1	
32	0011	69578Q1	PROP NUT KIT		1	[2]
33	0014	76281	TAB WASHER		1	[3]
34	0012	856774	WASHER (.406 x .750 x .105) Stainless Steel		1	
-	0026	814669A2	SEAL KIT Gear Housing		1	

## PART NOTES:

[1] - COMPONENT OF GEAR HOUSING SEAL KIT 43035A05

# Gear Housing Propeller Shaft - 1.83:1 Gear Ratio



61284

## Gear Housing Propeller Shaft - 1.83:1 Gear Ratio

[2] - Alternate part numbers:

69578A 1Service Part

69578Q 1QS

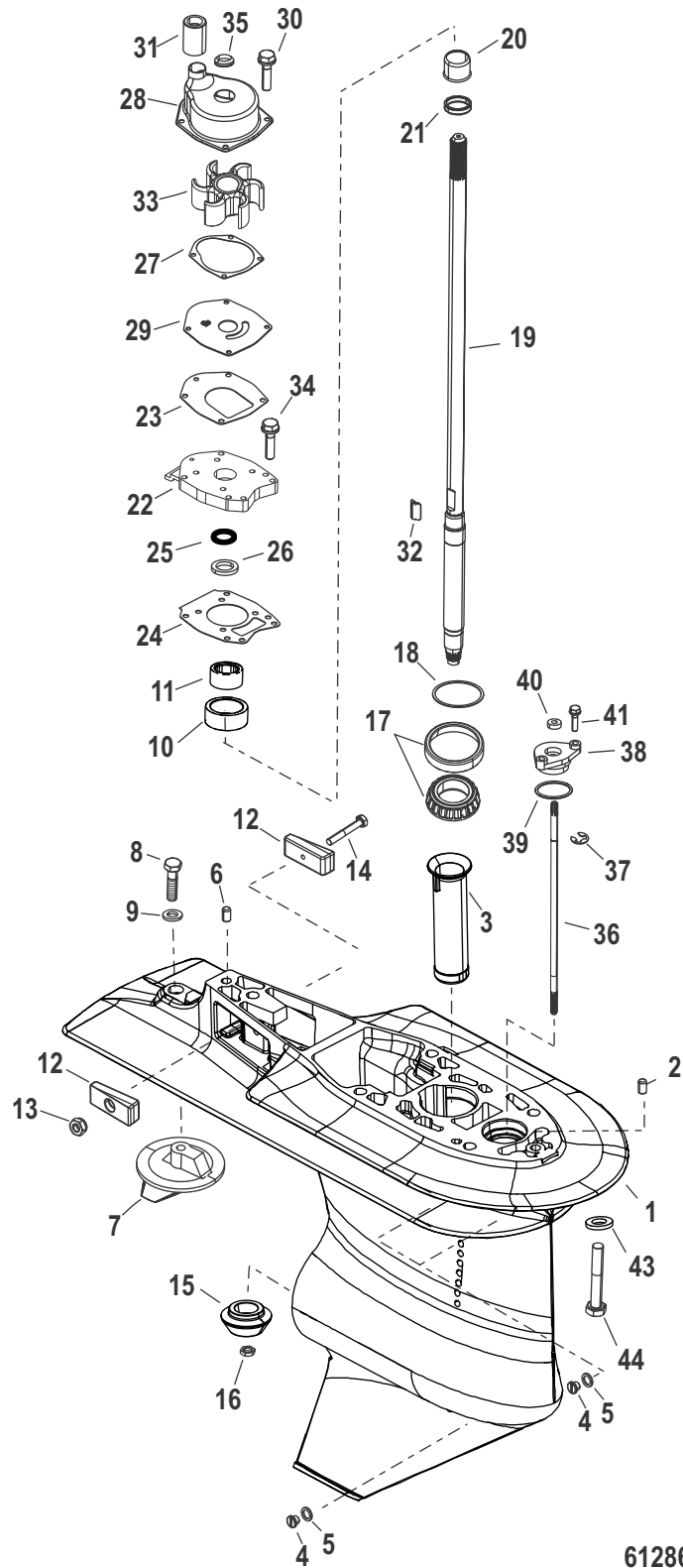
69578T 1MPP

[3] - Alternate part numbers:

76281Service Part

76281QQS

# Gear Housing Driveshaft - 2.33:1 Gear Ratio



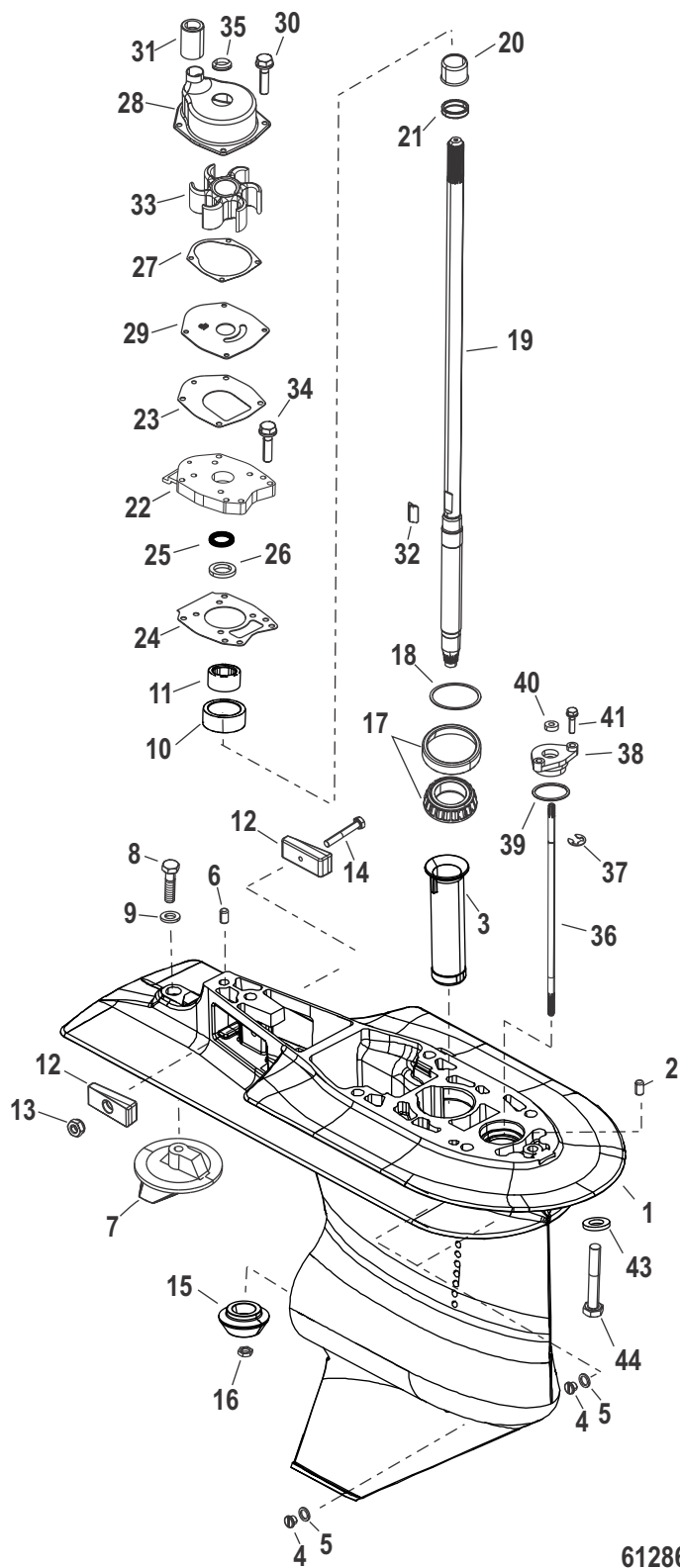
Gear Housing Driveshaft - 2.33:1 Gear Ratio

## Gear Housing Driveshaft - 2.33:1 Gear Ratio

Ref #	Part Class	Part Number	Description	Comments	Qty	Note
-	1600	8M0118187	GEAR HOUSING ASSEMBLY (LL Long)	SeaPro Only	1	
-	1600	8M0118186	GEAR HOUSING ASSEMBLY (Long)		1	
-	1600	8M0118188	GEAR HOUSING ASSEMBLY (X Long)		1	
1	1600	8M0118594	GEAR HOUSING ASSEMBLY Basic		1	
2	0017	8M0084244	PIN Dowel Front		1	
3	0000	43046	TUBE Oiler		1	
4	0022	8M0058389	SCREW KIT Drain	Magnetic	3	
5	0026	830749	SEAL		3	[1]
6	0017	43044	PIN Dowel - Without Hole (.375 x .625) Rear		1	
7	0000	31640T07	TRIM TAB		1	
8	0010	825427	SCREW (.437-14 x 1.250) Stainless Steel		1	
9	0012	451761	WASHER (.453 x .812 x .105) Black Oxide		1	
10	0000	43040T1	CARRIER ASSEMBLY		1	
11		NSS	NOT SOLD SEPARATE Needle Bearing		1	
12	0097	826134Q	ANODE		2	[2]
13	0011	401386	NUT (M6) Stainless Steel		1	
14	0010	4000333	SCREW (M6 x 40)		1	
15		NSS	NOT SOLD SEPARATE Pinion Gear - Part of Forward Gear Kit		1	[3]
16	0011	35921	NUT (.625-18)		1	[4]
17	0031	883047A1	BEARING ASSEMBLY Tapered Roller		1	[5]
18	0015	8M0063265	SHIM SET		1	[4]
19	1500	8M0118189	DRIVESHAFT ASSEMBLY LL	SeaPro Only	1	
19	0045	859105A1	DRIVESHAFT ASSEMBLY	(Long)	1	
19	0045	875222A1	DRIVESHAFT ASSEMBLY	(X-Long)	1	
20	0000	42461A1	SLEEVE/RING KIT		1	
21		NSS	NOT SOLD SEPARATE Ring-Seal		1	
22	0046	8M0113262	COVER ASSEMBLY Water Pump		1	[6]
23	0027	8M0050720	GASKET		1	[1]
24	0027	430472	GASKET		1	[7]
25	0026	43035	SEAL Oil Upper		1	[7]
26	0026	43036	SEAL Oil Lower		1	[7]
27	0027	8172771	GASKET		1	[1]
28	0000	817275A2	HOUSING KIT Upper Water Pump		1	[6]
29	0000	8172761	FACEPLATE		1	[8]
30	0010	82684430	SCREW (M6 x 30)		4	[6]
31	0000	8M0109700	COUPLER Water Tube		1	
32	0028	8M0032833	KEY		1	[8]
33	0047	43026T2	IMPELLER		1	[9]
34	0010	82684425	SCREW (M6 x 25)		6	

Gear Housing Driveshaft - 2.33:1 Gear Ratio

# Gear Housing Driveshaft - 2.33:1 Gear Ratio



61286

Gear Housing Driveshaft - 2.33:1 Gear Ratio



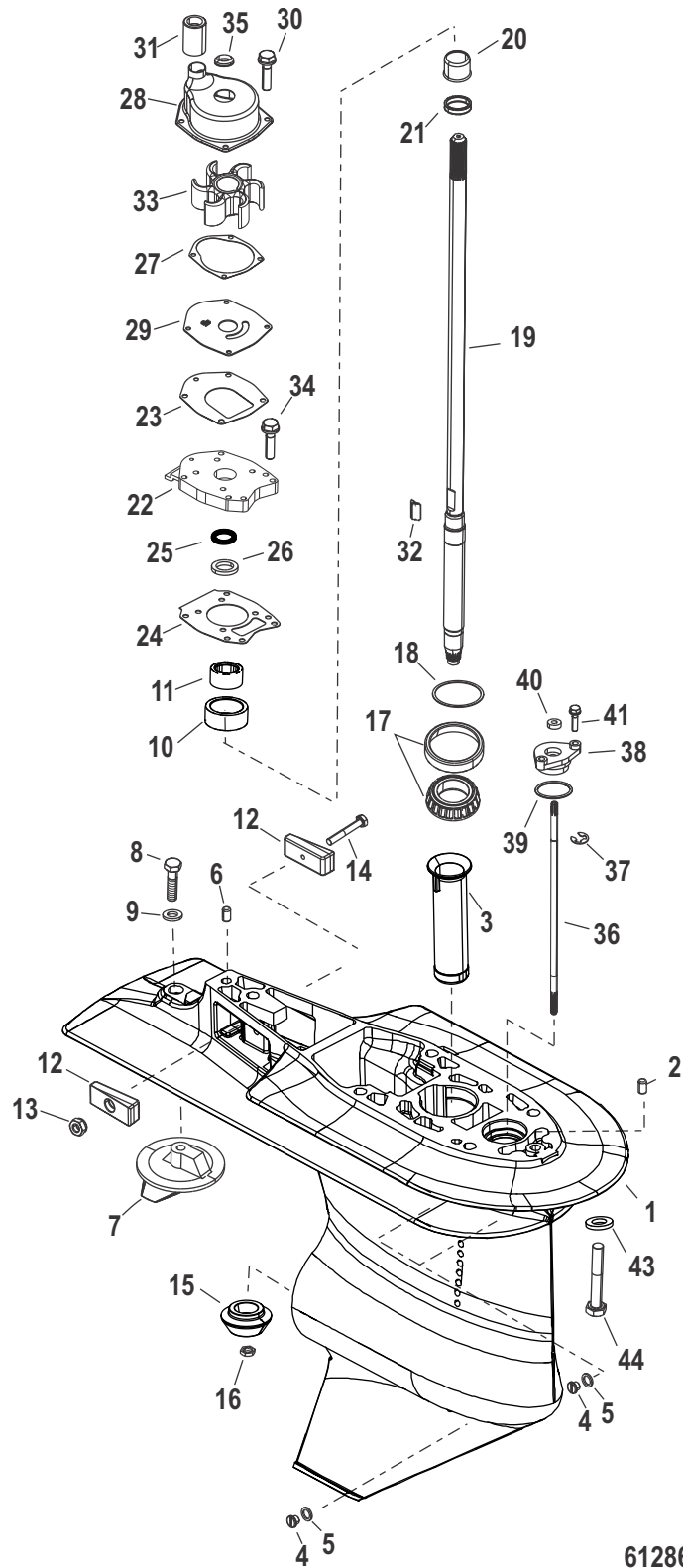
## Gear Housing Driveshaft - 2.33:1 Gear Ratio

Ref #	Part Class	Part Number	Description	Comments	Qty	Note
-	0026	816575A2	SEAL KIT		1	
35	0026	8M2014338	SEAL Face		1	[10]
NS		NSS	NOT SOLD SEPARATE TOOL, Face Seal Setting		1	
36	0000	8M0118190	SHIFT SHAFT ASSEMBLY Lower, LL	SeaPro Only	1	
36	0000	884563A00	SHIFT SHAFT ASSEMBLY	(Long)	1	
36	0000	884565A00	SHIFT SHAFT ASSEMBLY	(X-Long)	1	
37	0053	29641	E RING		1	
38	0023	43052A4	BUSHING ASSEMBLY		1	
39	0025	457101	O-RING (1.424 x .103)		1	[11]
40	0026	8164641	SEAL Oil		1	[11]
41	0010	82684425	SCREW (M6 x 25)		2	
42	0023	891637	BUSHING		1	
-	0026	43035A05	SEAL KIT Gear Housing		1	
-	0046	8M0113801	REPAIR KIT Water Pump		1	
-	0047	8M0100526	REPAIR KIT Water Pump		1	[12]
-	0031	803496T2	BEARING/SEAL KIT		1	

## PART NOTES:

- [1] - COMPONENT OF GEAR HOUSING SEAL KIT 43035A05  
COMPONENT OF WATER PUMP REPAIR KIT 8M0113801  
COMPONENT OF IMPELLER REPAIR KIT 8M0100526
- [2] - Alternate part numbers:  
826134Service Part  
826134QQS  
826134TMPP  
826134T 3Magnesium  
8M0059344Bulk Pack
- [3] - COMPONENT OF FORWARD GEAR KIT 882813A 3
- [4] - COMPONENT OF FORWARD GEAR KIT 882813A 3  
COMPONENT OF SEAL AND BEARING KIT WITHOUT FORWARD BEARING 803496T 2
- [5] - COMPONENT OF SEAL AND BEARING KIT WITHOUT FORWARD BEARING 803496T 2
- [6] - COMPONENT OF WATER PUMP REPAIR KIT 8M0113801
- [7] - COMPONENT OF GEAR HOUSING SEAL KIT 43035A05  
COMPONENT OF WATER PUMP REPAIR KIT 8M0113801
- [8] - COMPONENT OF WATER PUMP REPAIR KIT 8M0113801  
COMPONENT OF IMPELLER REPAIR KIT 8M0100526
- [9] - Alternate part numbers:  
43026Q02QS  
43026T 2Service Part  
COMPONENT OF WATER PUMP REPAIR KIT 8M0113801  
COMPONENT OF IMPELLER REPAIR KIT 8M0100526
- [10] - COMPONENT OF IMPELLER REPAIR KIT 8M0100526
- [11] - COMPONENT OF GEAR HOUSING SEAL KIT 43035A05

# Gear Housing Driveshaft - 2.33:1 Gear Ratio



61286

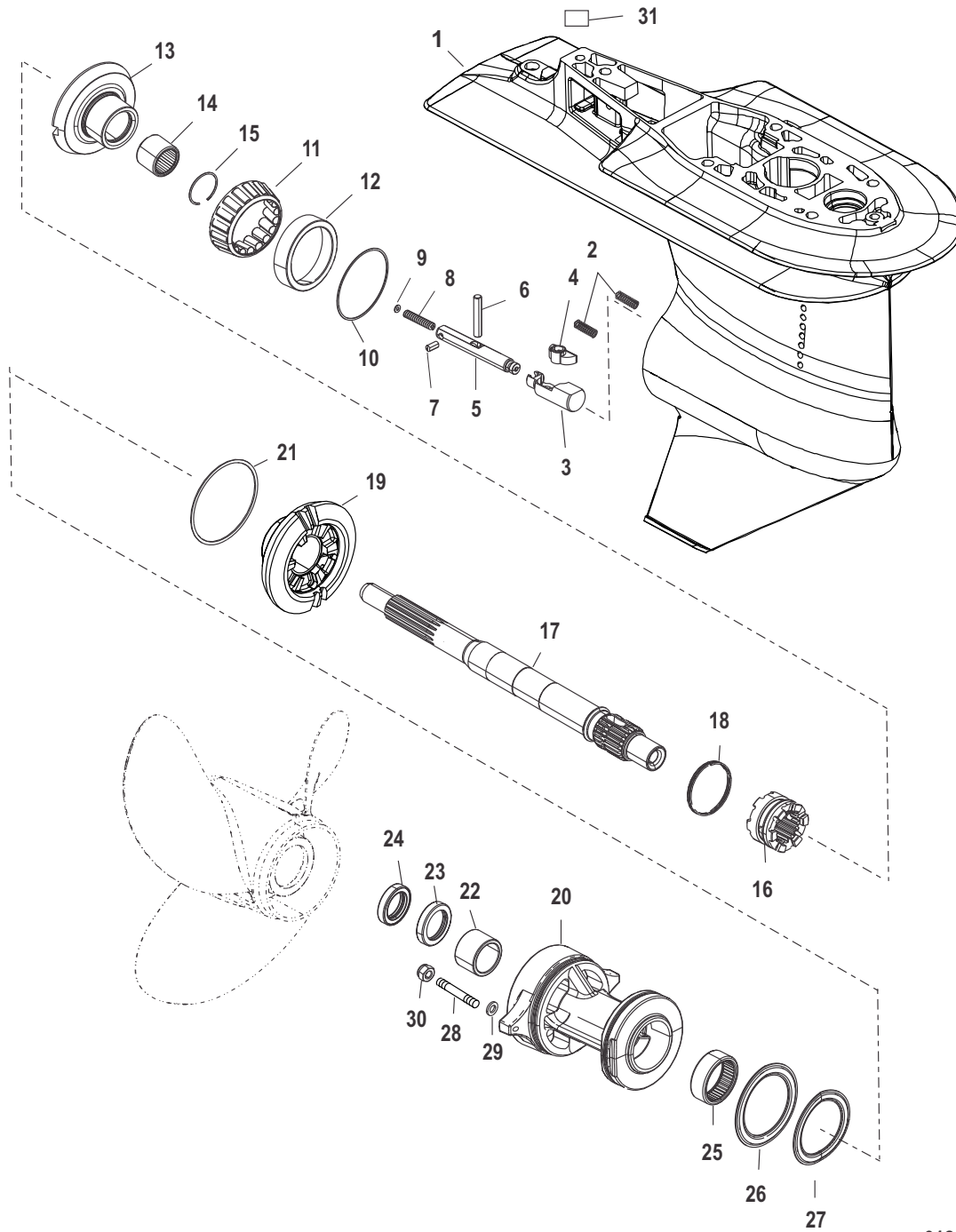
Gear Housing Driveshaft - 2.33:1 Gear Ratio

**Cat.# 90-8M0118807**

## **Gear Housing Driveshaft - 2.33:1 Gear Ratio**

- [12] - Alternate part numbers:  
8M0100526QS  
8M0100527MPP

# Gear Housing Propeller Shaft - 2.33:1 Gear Ratio



61289

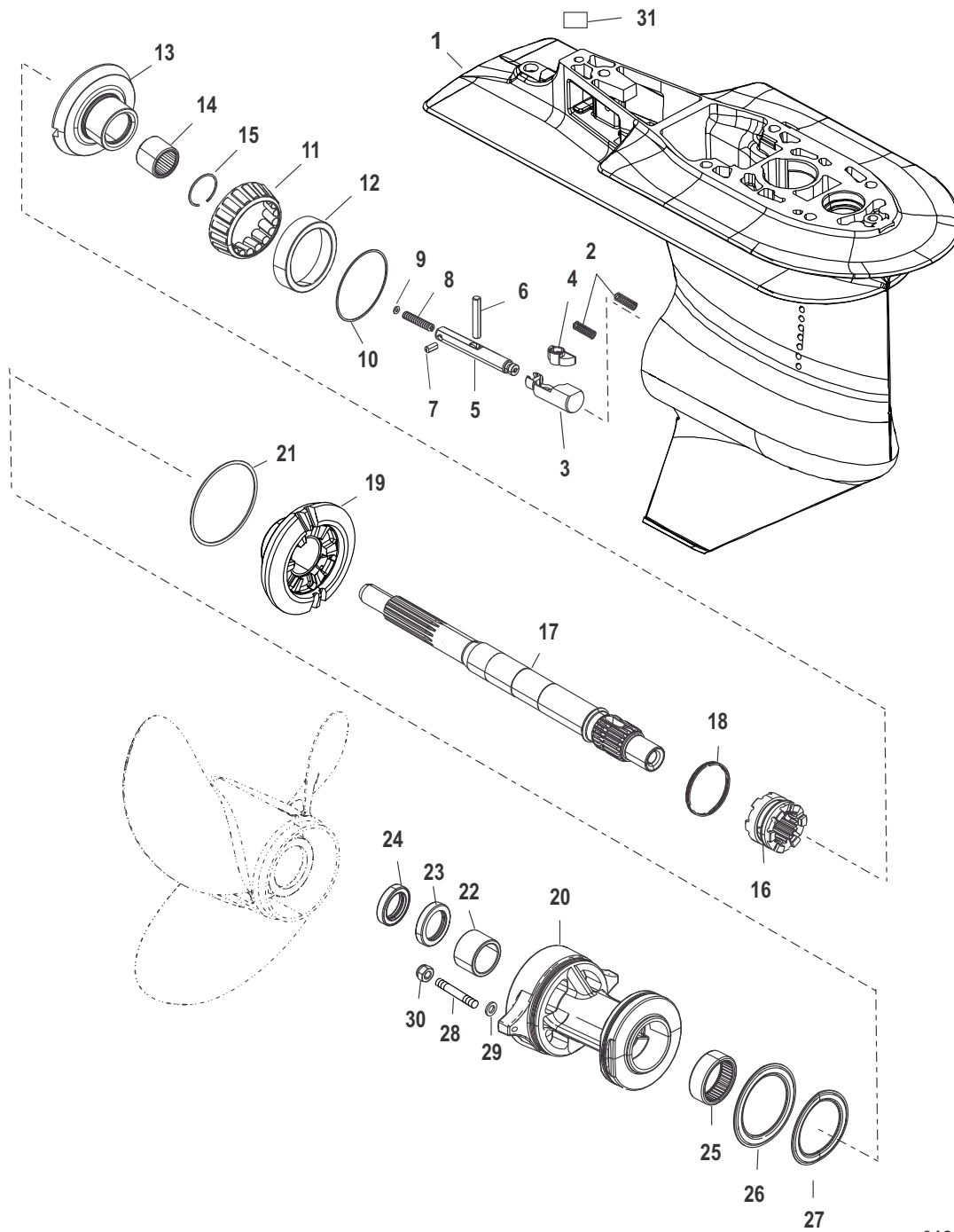
**RESOURCE NOTES:**

**NOTE:** See Accessory Guide - Propellers - For Appropriate Hardware. (Thrust Washers/Nuts)

## Gear Housing Propeller Shaft - 2.33:1 Gear Ratio

Ref #	Part Class	Part Number	Description	Comments	Qty	Note
-	1600	8M0118187	GEAR HOUSING ASSEMBLY (LL Long)	SeaPro Only	1	
-	1600	8M0118186	GEAR HOUSING ASSEMBLY (Long)		1	
-	1600	8M0118188	GEAR HOUSING ASSEMBLY (X Long)		1	
1	1600	8M0118594	GEAR HOUSING ASSEMBLY Basic		1	
2	0000	8227731	INSERT Threaded		2	[1]
3	0000	899070	FOLLOWER Cam		1	
4	0000	19917	CAM Shift		1	[1]
5	0000	888806	ROD Clutch Actuator		1	[1]
6	0017	8M0084243	PIN Cross		1	[1]
7	0017	8M0084245	PIN Spring Locator Spring Locator		1	[1]
8	0024	79910	SPRING		1	[1]
9	0012	78910	WASHER		1	[1]
10	0015	8M0063266	SHIM SET		1	[2]
11	0031	30894A1	BEARING SET Cup And Cone		1	[3]
12		NSS	NOT SOLD SEPARATE Cup		1	[3]
13	0043	882813A3	GEAR KIT Forward And Pinion 28 Teeth		1	
14	0031	30895T	BEARING Needle		1	[2]
15	0053	856823	RING Retaining		1	[3]
16	0052	888805T	CLUTCH		1	[1]
17	0044	888804	PROPELLER SHAFT		1	
18	0024	30893	SPRING		1	[1]
19	0043	889990T	GEAR Reverse		1	
20	0000	12596T2	CARRIER ASSEMBLY Bearing		1	
21	0025	861844	O-RING		1	[4]
22	0031	30956T	BEARING Needle		1	[5]
23	0026	70080	SEAL Oil Inner		1	[4]
24	0026	70081	SEAL Oil Outer		1	[4]
25	0031	12578T	BEARING Roller		1	[5]
26	0012	12577	THRUST WASHER		1	[5]
27	0031	12576	BEARING Thrust		1	[5]
28	0016	8M0034456	STUD (M8 X 1.25 X 48)		2	
29	0012	855941	WASHER (.323 x .590 x .112) Stainless Steel		2	
30	0011	401378	NUT (M8)		2	
31		NSS	NOT SOLD SEPARATE Decal-Gearcase Pinion Identification		1	
-	0026	43035A05	SEAL KIT Gear Housing		1	[5]
-	0043	882813A3	GEAR KIT Forward And Pinion 28 Teeth		1	
-	0031	803496T2	BEARING/SEAL KIT		1	
-	0052	888805A00	REPAIR KIT Clutch And Cam Follower		1	

# Gear Housing Propeller Shaft - 2.33:1 Gear Ratio



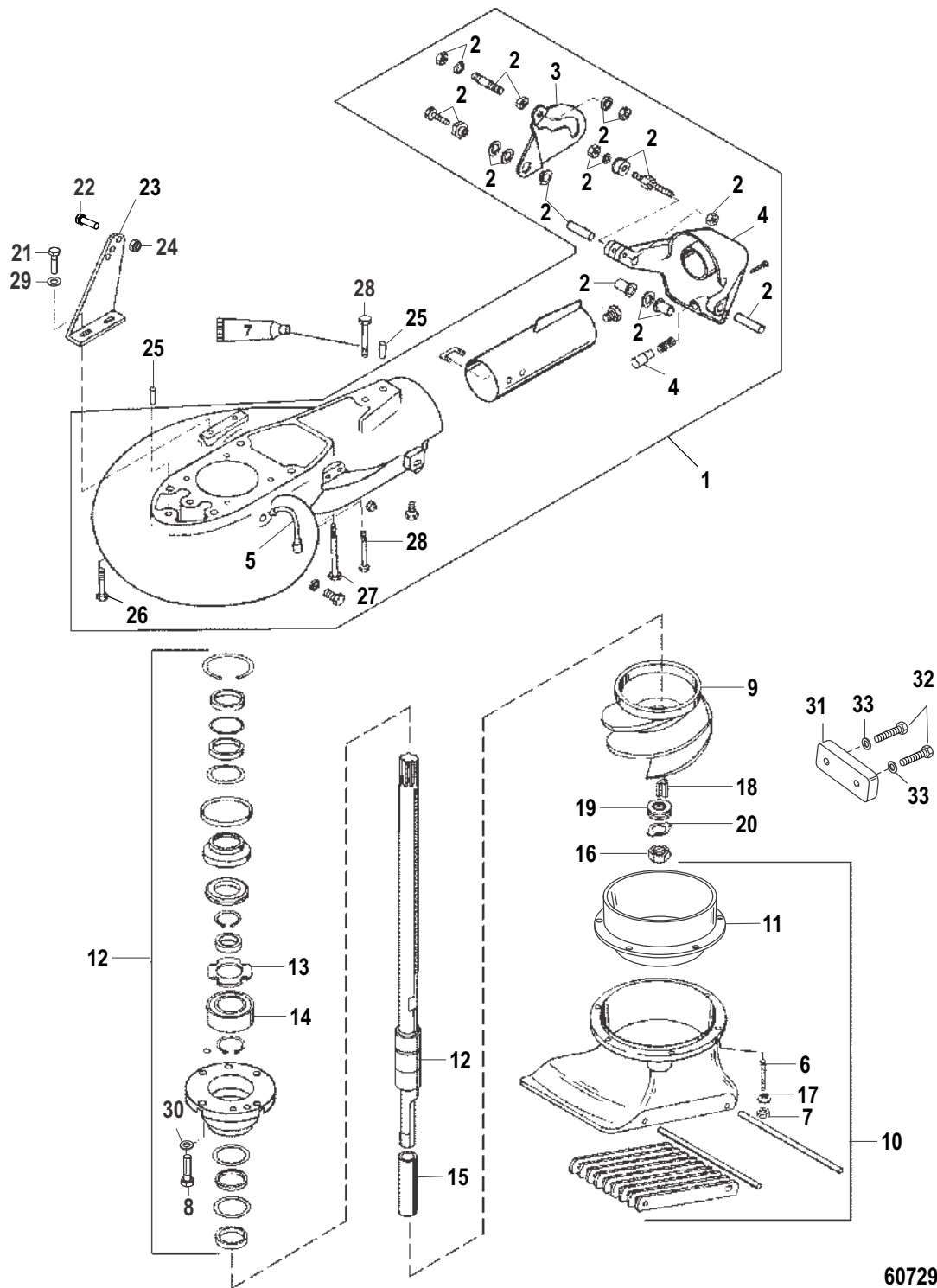
61289

## Gear Housing Propeller Shaft - 2.33:1 Gear Ratio

**PART NOTES:**

- [1] - COMPONENT OF CLUTCH/CAM FOLLOWER ASSEMBLY 888805A00
- [2] - COMPONENT OF FORWARD GEAR KIT 882813A 3  
COMPONENT OF SEAL AND BEARING KIT WITHOUT FORWARD BEARING 803496T 2
- [3] - COMPONENT OF FORWARD GEAR KIT 882813A 3
- [4] - COMPONENT OF GEAR HOUSING SEAL KIT 43035A05
- [5] - COMPONENT OF SEAL AND BEARING KIT WITHOUT FORWARD BEARING 803496T 2

Jet Unit



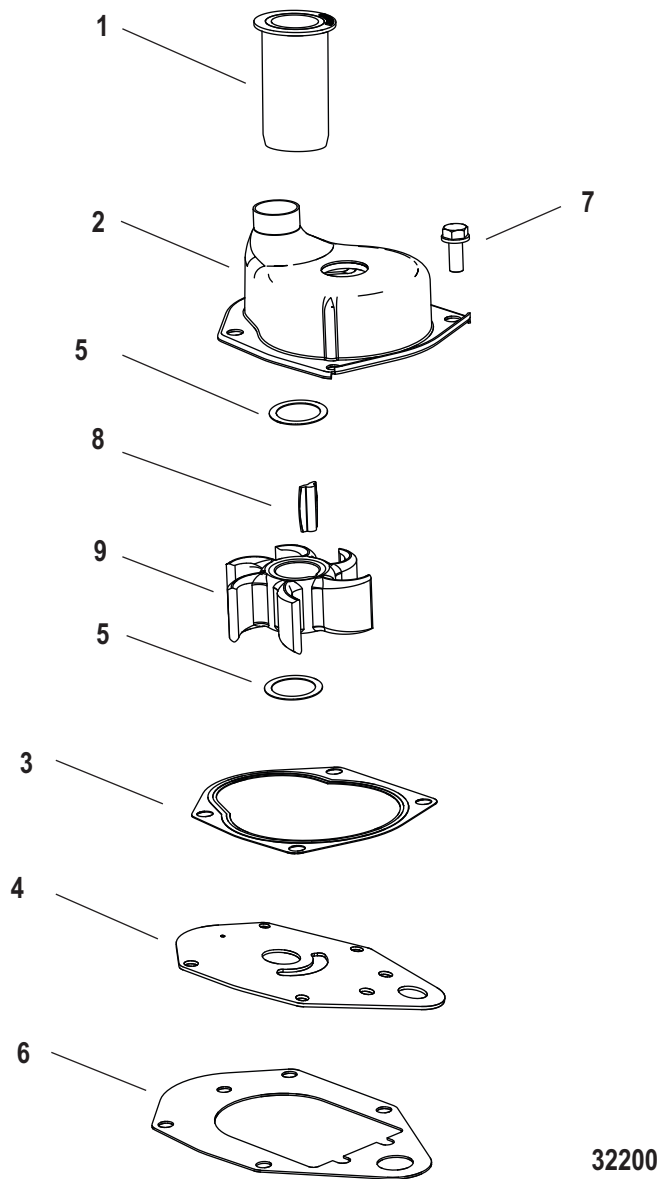
60729



## Jet Unit

Ref #	Part Class	Part Number	Description	Comments	Qty	Note
-		NSS	NOT SOLD SEPARATE Jet Unit-Complete		1	
1	0000	855767T01	HOUSING Pump		1	
2	0000	878377T01	LINKAGE KIT Shift		1	
3	0000	878382	CAM		1	
4	0000	878380T01	REVERSE GATE With Bumper		1	
5	0032	827490	HOSE Lube		1	
6	0016	8M0034456	STUD (M8 X 1.25 X 48)		6	
7	0011	401388	NUT (M8) Stainless Steel		6	
8	0010	4007153	SCREW (M8 x 25)		4	
9	0047	855708T60	IMPELLER		1	
10	0000	801412T02	HOUSING Intake		1	
11	0000	827188T02	LINER		1	
12	0045	855769T01	DRIVESHAFT		1	
13	0012	8796522	THRUST WASHER		1	
14	0030	8796531	BEARING Ball		1	
15	0023	8271891	SLEEVE		1	
16	0011	8271901	NUT		1	
17	0012	36001	WASHER		6	
18	0028	801405875	KEY		1	
19	0015	801404875	SHIM Impeller		8	
20	0014	801403875	TAB WASHER		1	
21	0010	4000328	SCREW (M6 x 16)		2	
22	0010	8M0009111	SCREW (M8 x 30)		1	
23	0000	898101382	BRACKET		1	
24	0011	401388	NUT (M8) Stainless Steel		1	
25	0017	43044	PIN Dowel - Without Hole (.375 x .625)		2	
26	0010	1995660	SCREW (M10 x 60)		2	
27	0010	4010890	SCREW (M10 x 90) Hex Flange - Stainless Steel		1	
28	0010	1995670	SCREW (M10 x 70)		2	
29	0012	4002316	WASHER (6.60 X 17.0 X 1.5SS)		2	
30	0012	4002317	WASHER (8.90 X 17.0 X 1.9SS)		4	
31	0097	889246A72	ANODE KIT		1	
32	0010	801432001	BOLT (M6 x 25)		2	
33	0012	879652003	WASHER		2	

# Jet Water Pump Components

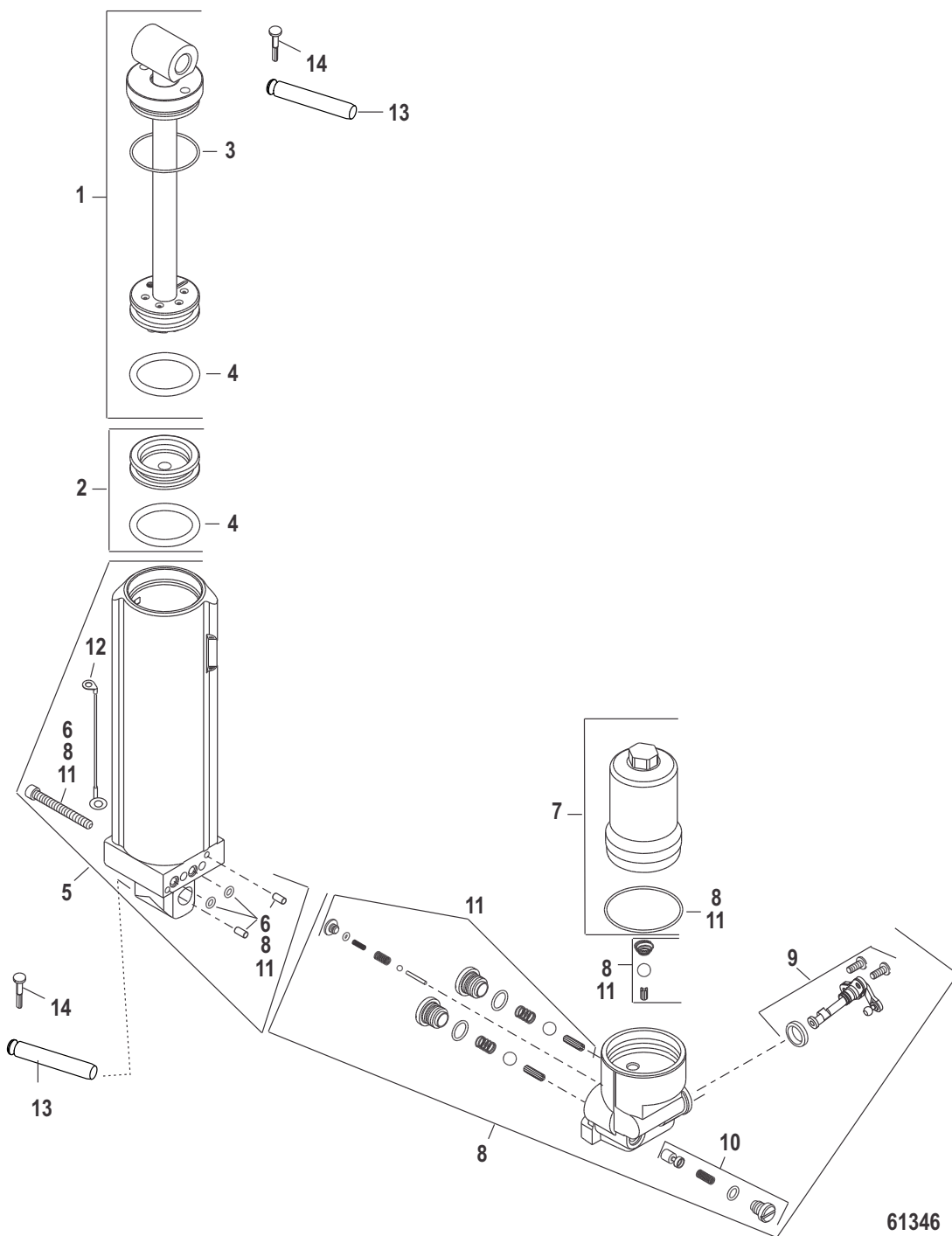


32200

**Jet Water Pump Components**

<b>Ref #</b>	<b>Part Class</b>	<b>Part Number</b>	<b>Description</b>	<b>Comments</b>	<b>Qty</b>	<b>Note</b>
1	0000	8M0000332	COUPLING Short		1	
2	0000	14334A3	PUMP ASSEMBLY Water		1	
3	0027	822189	GASKET Upper Water Pump		1	
4	0000	8M0001338	FACE PLATE		1	
5	0012	8M0005777	WASHER		2	
6	0027	8M4502052	GASKET Lower		1	
7	0010	8248324	SCREW (M6 x 16)		4	
8	0028	8M0032831	KEY Impeller		1	
9	0047	19453T	IMPELLER		1	

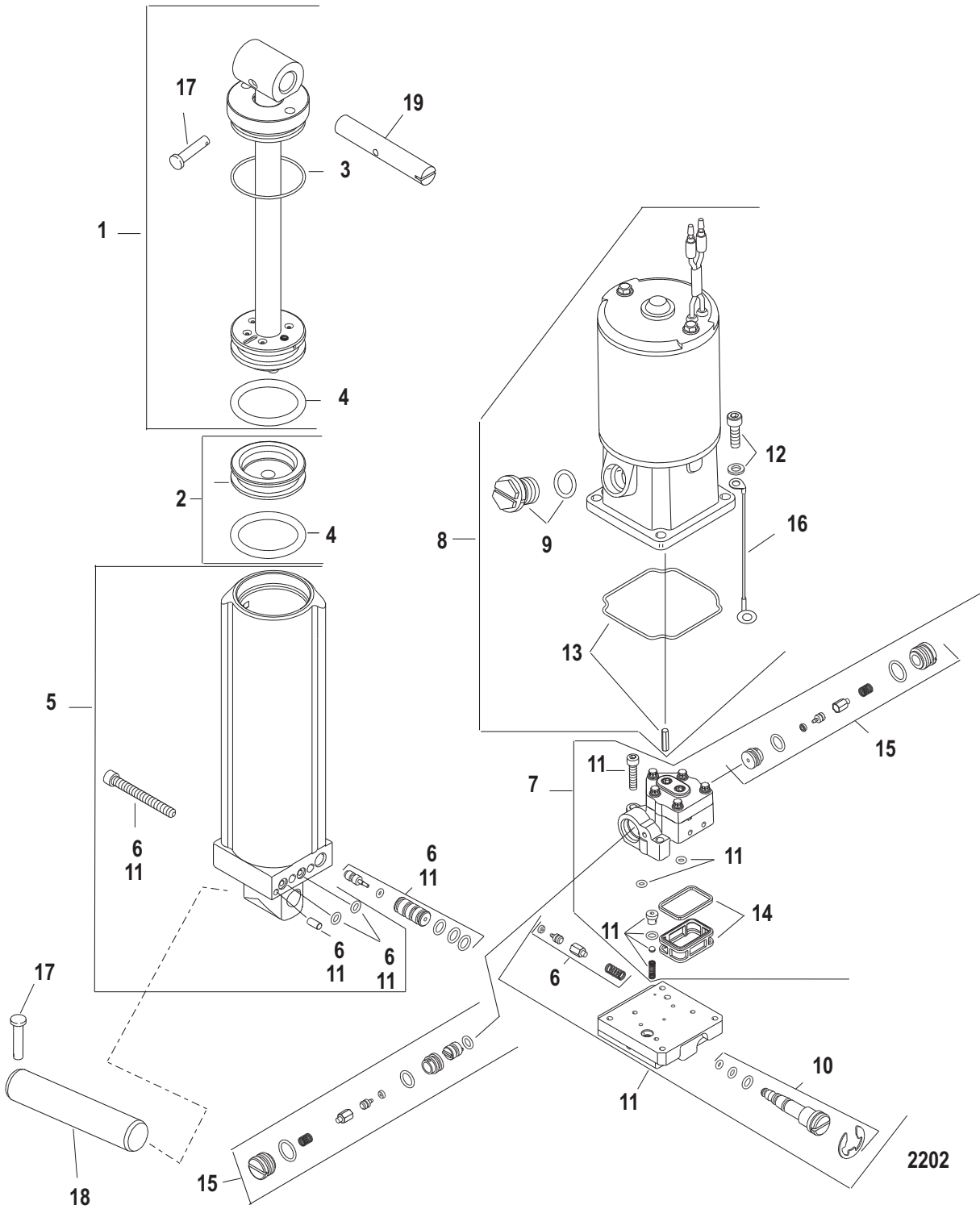
# Manual Tilt Components



## Manual Tilt Components

Ref #	Part Class	Part Number	Description	Comments	Qty	Note
-	0000	8M0118571	MANUAL TRIM ASSEMBLY		1	
1	0000	8M0118573	SHOCK ROD KIT		1	
2	0000	813430A1	PISTON ASSEMBLY Trim Memory		1	
3	0025	893917A01	REBUILD KIT O-Ring		1	
4		NSS	NOT SOLD SEPARATE O Ring		2	
5	0000	893918A01	CYLINDER KIT		1	
6	0000	893919A01	SCREW/SEAL KIT		1	
7	0000	893933A01	ACCUMULATOR ASSEMBLY		1	
8	0000	8M0118574	VALVE BODY ASSEMBLY		1	
9	0000	8M0118575	CAM KIT		1	
10	0000	893924A01	VALVE KIT		1	
11	0000	893925A01	REPAIR KIT Velocity Valve		1	
12	0000	88238A13	CABLE ASSEMBLY Ground		1	
13	0017	19607	PIN		2	
14	0017	821539	PIN Trilobe		2	
-	0025	893922A01	O-RING KIT Tilt Overhaul		1	

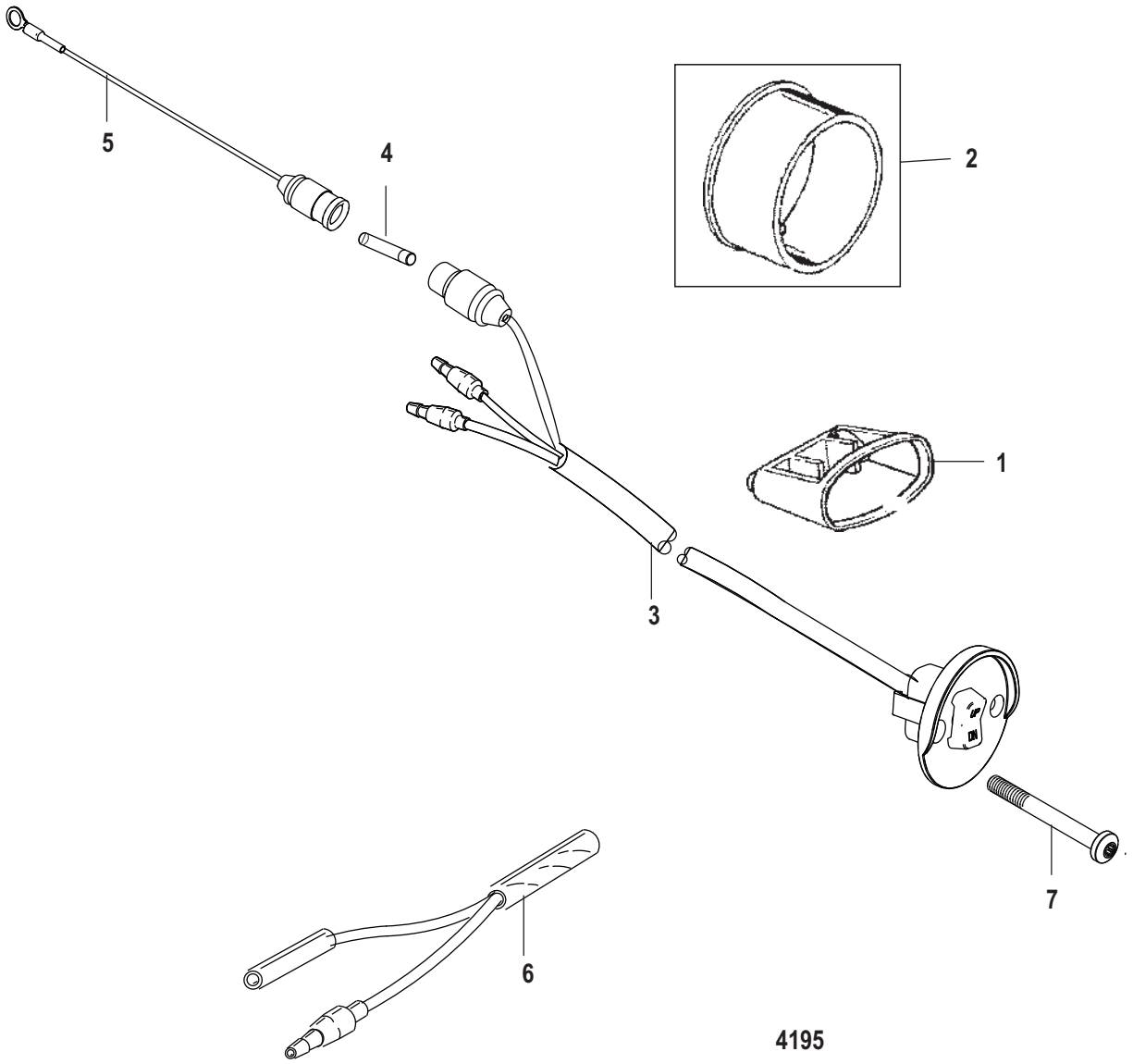
Power Trim



## Power Trim

Ref #	Part Class	Part Number	Description	Comments	Qty	Note
-	0000	8M0055011	POWER TRIM KIT		1	
1	0000	8M0022456	SHOCK ROD KIT		1	
2	0000	810776A1	PISTON ASSEMBLY Memory		1	
3	0025	893902A01	O-RING KIT		1	
4		NSS	NOT SOLD SEPARATE O Ring		2	
5	0000	8M0055016	CYLINDER ASEMBLY KIT		1	
6	0000	893944A01	VAVLE KIT Trim Limit		1	
7	0000	8M0055019	POWER TRIM PUMP KIT		1	
8	0000	893907A02	MOTOR KIT		1	
9	0022	8134351	PLUG		1	
10	0000	893929A01	VALVE KIT Relief		1	
11	0000	8M0055018	MANIFOLD KIT		1	
12	0010	809876A1	SCREW KIT Motor		1	
13	0000	809877A1	DRIVESHAFT/SEAL KIT		1	
14	0035	893912A02	FILTER KIT		1	
15	0000	893913A02	POPPET KIT		1	
16	0000	88238A18	CABLE ASSEMBLY		1	
-	0025	8M0089947	O-RING KIT Power Trim		1	
17	0017	821539	PIN Trilobe		2	
18	0017	19607	PIN		1	
19	0017	822869001	PIN		1	
-	0098	8M0127334	POPPET SEAL KIT		1	

Trim Switch Kit





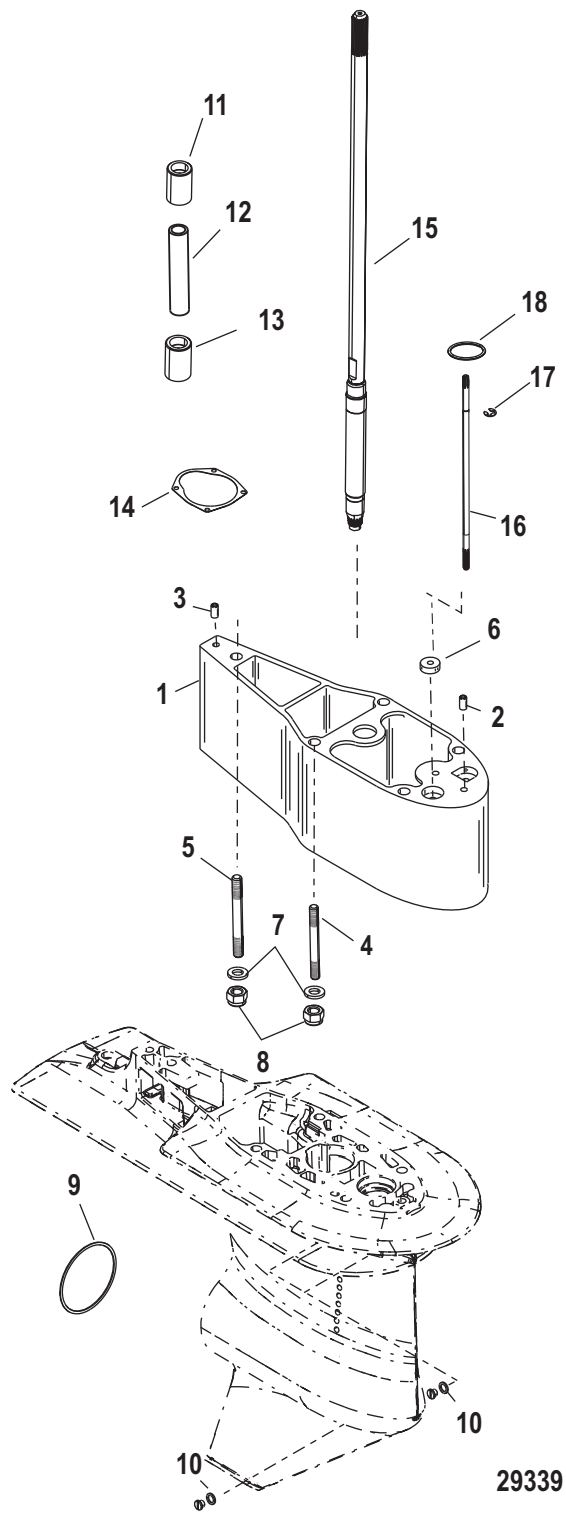
Cat.# 90-8M0118807

## Trim Switch Kit

Ref #	Part Class	Part Number	Description	Comments	Qty	Note
-	0087	18286A18	SWITCH KIT Trim (10.00 Feet)		1	
1	0000	18861	RETAINER		1	
2	0000	814820	ADAPTER		1	
3		NSS	NOT SOLD SEPARATE Switch		1	
4	0088	79091	FUSE 20 Ampere		1	
5	0084	95084A2	CABLE ASSEMBLY		1	
6	0084	11149A2	CABLE ASSEMBLY (6.00 Inches)		2	
7	0010	19209	SCREW (#10-32 x 2.25)		2	
7	0010	813523	SCREW (#10-16 x 2.25)		2	

Trim Switch Kit

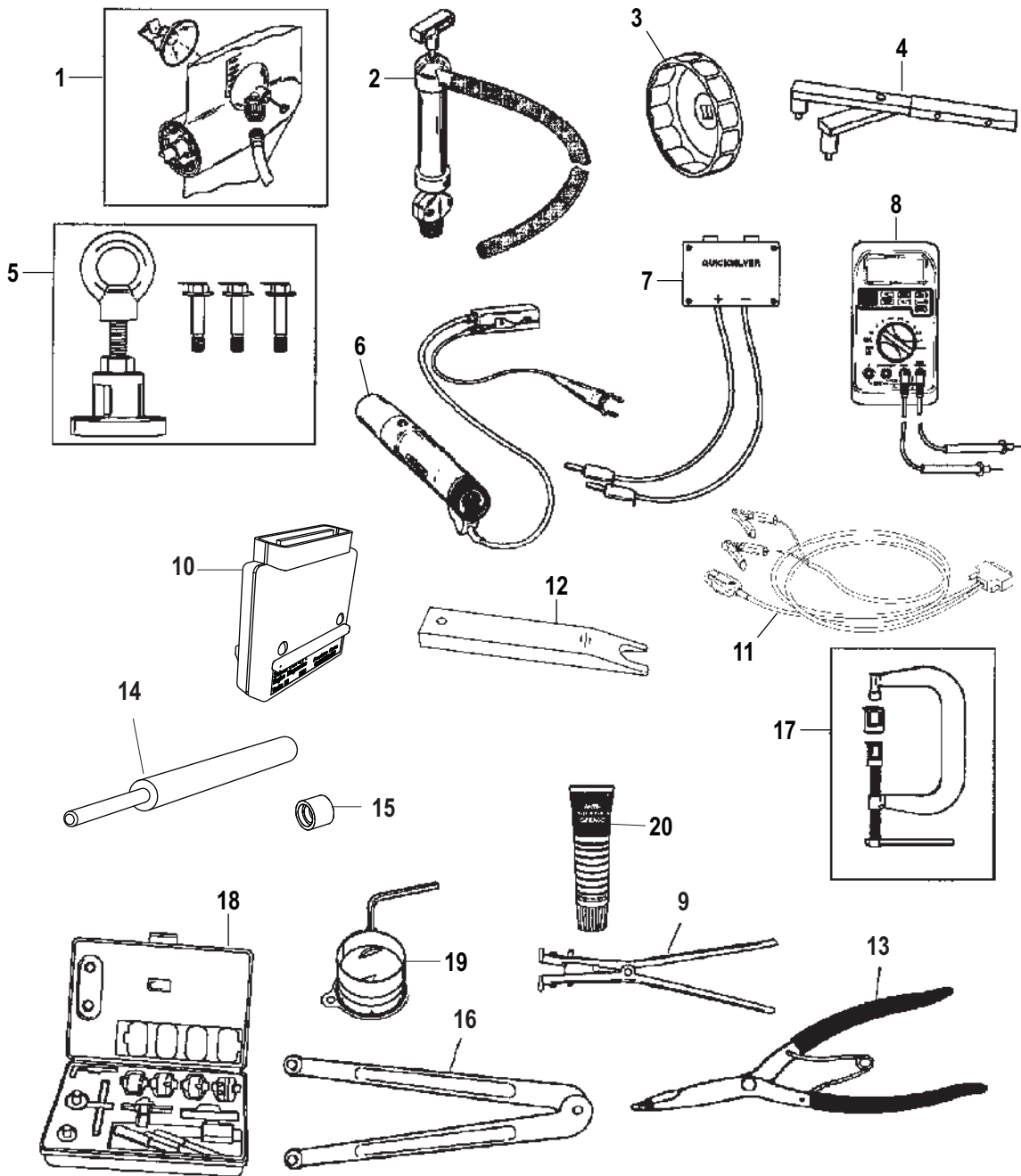
# Extension Kit Driveshaft Housing 12092A20 - Command Thrust



## Extension Kit Driveshaft Housing 12092A20 - Command Thrust

Ref #	Part Class	Part Number	Description	Comments	Qty	Note
-	0000	12092A20	CONVERSION KIT X-Long- Command Thrust		1	
1	0000	12092A3	SPACER KIT		1	
2	0017	8M0084244	PIN Dowel		1	
3	0017	43044	PIN Dowel - Without Hole (.375 x .625)		1	
4	0016	903503	STUD (M10 x 190)		4	
5	0016	903502	STUD (M10 x 227)		1	
6	0023	813745	SPACER		1	
7	0012	856774	WASHER (.406 x .750 x .105) Stainless Steel		5	
8	0011	40140	NUT (M10)		5	
9	0025	861844	O-RING		1	
10	0026	830749	SEAL		3	
11	0000	893855	COUPLER		1	
12	0032	8M4501430	TUBE Water		1	
13	0000	430232	SEAL		1	
14	0027	430472	GASKET		1	
15	0045	875222A1	DRIVESHAFT ASSEMBLY		1	
16	0000	884565A00	SHIFT SHAFT ASSEMBLY		1	
17	0053	29641	E RING		1	
18	0025	457101	O-RING (1.424 x .103)		1	

Tools 1



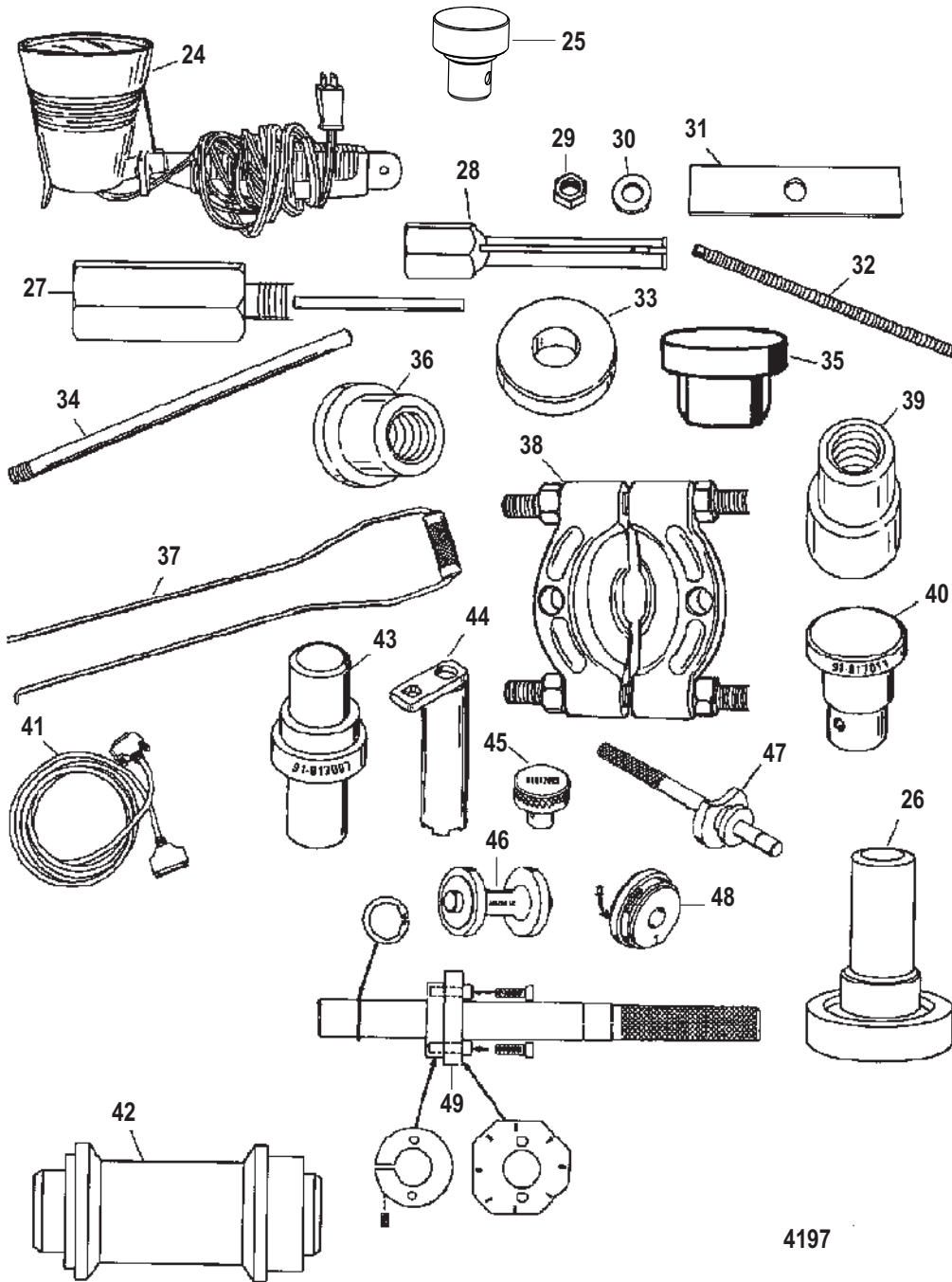
29029

Tools 1

Ref #	Part Class	Part Number	Description	Comments	Qty	Note
1	0000	44357Q2	FLUSHING ATTACHMENT		1	[1]
2	0000	802889Q1	PUMP Crankcase Oil		1	[2]
3	0091	802653Q02	WRENCH Oil Filter		1	[3]
4	0091	83163M	HOLDER TOOL Flywheel		1	
5	0091	83164M	FLYWHEEL PULLER		1	
6	0091	99379	TIMING LIGHT		1	
7	0091	890451	ADAPTER TOOL Direct Voltage		1	
8	0091	892647A01	MULTI-METER KIT DMT		1	
9	0091	24697	EXPANDER TOOL Piston Ring		1	
10	0091	880118A04	DDT CARTRIDGE		1	
11	0084	822560A5	HARNES ASSEMBLY DDT Adapter		1	
12	0091	883877A1	REMOVAL TOOL Fuel Injector		1	
13		NSS	NOT SOLD SEPARATE Lock ring Pliers (P/N-SRP2)		1	
14	0091	809495001	TOOL Valve Guide		1	
15	0091	809496A1	INSTALLER TOOL Valve Guide Bushing		1	
16	0091	74951	SPANNER WRENCH		1	
17	0091	809494A1	COMPRESSOR TOOL Valve Spring		1	
18		NSS	NOT SOLD SEPARATE Valve Seat Cutter Kit		1	
19	0000	FT2997	COMPRESSOR TOOL Piston Ring		1	
20	0092	802867Q1	ANTI-CORROSION GREASE 8 oz		1	[4]

PART NOTES:

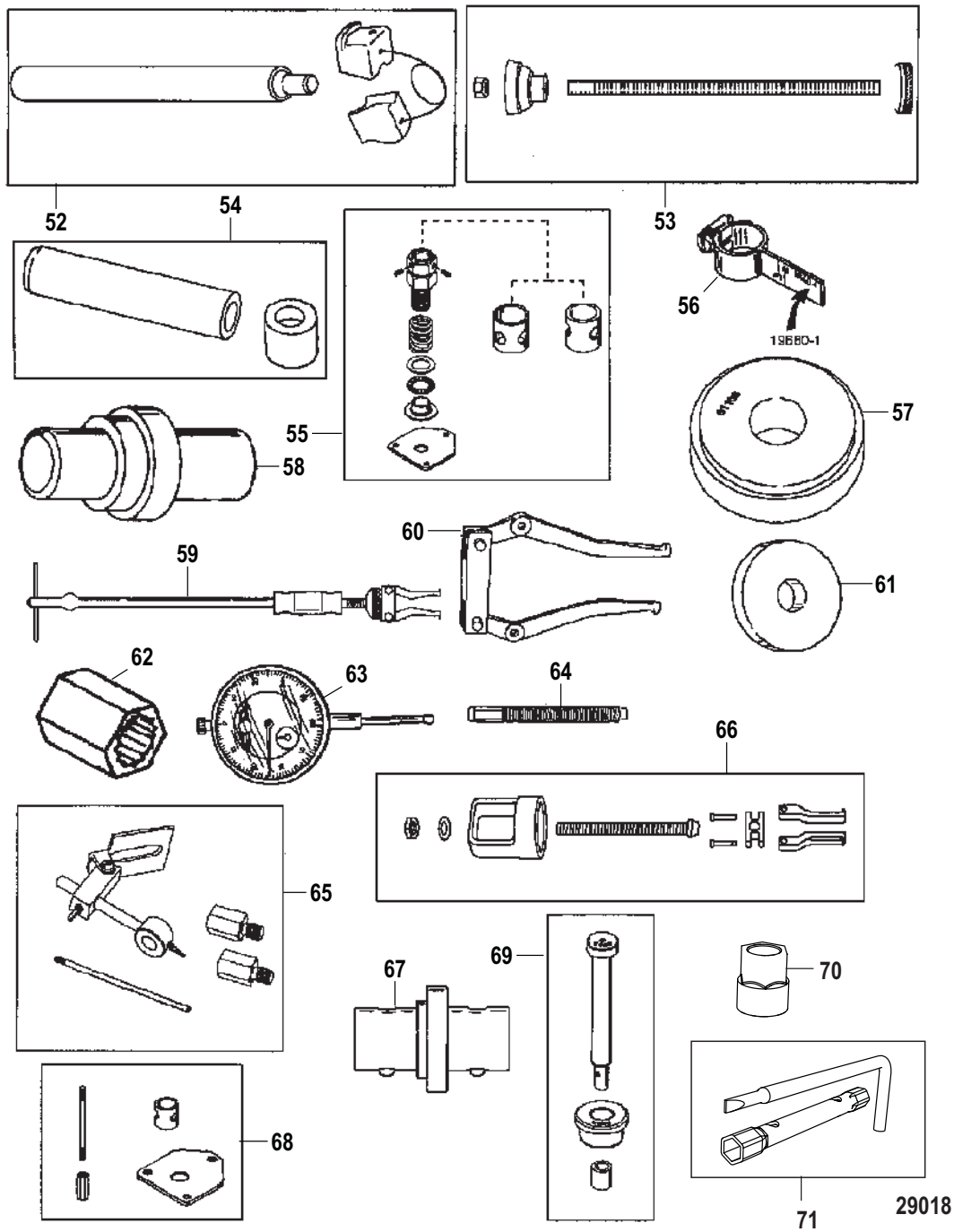
- [1] - Alternate part numbers:  
44357A 2Service Part  
44357Q 2QS  
44357T 2MPP
- [2] - Alternate part numbers:  
802889A 1MPP  
802889Q 1QS
- [3] - Alternate part numbers:  
802653K02MPP  
802653Q02QS
- [4] - Alternate part numbers:  
802867A 1MPP  
802867Q 1QS



4197

## Tools 2

Ref #	Part Class	Part Number	Description	Comments	Qty	Note
24	0091	63209	HEAT LAMP		1	
25	0091	877321A1	INSTALLATION TOOL Bearing		1	
26	0091	13945	INSTALLATION TOOL Bearing		1	
-	0091	31229A7	PULLER KIT Bearing		1	
27		NSS	NOT SOLD SEPARATE Expanding Rod (P/N-CG-41-11)		1	
28		NSS	NOT SOLD SEPARATE Collet (P/N-CG-41-14)		1	
29	0011	24156	NUT (.625-18)		1	
30	0012	34961	WASHER		1	
31	0091	29310	PLATE		1	
32	0091	31229	SHAFT		1	
33	0091	36571T	PILOT WASHER		1	
34	0091	37323	DRIVER ROD TOOL Needle Bearings		1	
35	0091	15755T	NEEDLE BEARING DRIVER		1	
36	0091	36569T	DRIVE HEAD TOOL		1	
37	0091	27780	PULLER		1	
38	0091	37241	PULLER PLATE Universal		1	
39	0091	37312T	DRIVESHAFT BEARING DRIVER		1	
40	0091	817011T	INSTALLER TOOL Needle Bearing		1	
41	0084	825003A1	CABLE ASSEMBLY DDT 10 Feet		1	
42	0091	13949	DRIVER TOOL Oil Seal		1	
43	0091	817007T	INSTALLER TOOL Seal		1	
44	0091	43506T	RETAINING TOOL Bearing		1	
45	0091	817005	INSTALLER TOOL Bearing		1	
46	0091	817006	INSTALLER TOOL Water Pump Base Seal		1	
47	0091	817008A2	LOCATION TOOL Pinion Gear		1	
48	0091	817009T	DRIVER TOOL Bearing Cup		1	
49	0091	12349A05	TOOL Pinion Locating		1	





## Tools 3

Ref #	Part Class	Part Number	Description	Comments	Qty	Note
52	0091	14308T02	BEARING RACE DRIVER		1	
-	0091	889622A01	TOOL Timkin Cup		1	
53	0091	14309T02	INSTALLATION TOOL Bearing		1	
54	0091	14310T1	WEAR SLEEVE DRIVER		1	
55	0091	14311A04	TOOL Preload		1	
56	0091	196601	INDICATOR TOOL Backlash		1	
57	0091	31106T	MANDREL Bearing Driver Cup		1	
58	0091	31108T	DRIVER Oil Seal		1	
59	0091	34569A1	PULLER ASSEMBLY Slide Hammer		1	
60	0091	46086A1	PULLER JAW ASSEMBLY		1	
61	0091	37350T	PILOT MANDREL		1	
62	0091	817070	HOLDING TOOL Driveshaft		1	
63	0091	58222A1	DIAL INDICATOR TOOL		1	
64	0091	85716	PULLER BOLT TOOL Bearing Carrier		1	
65	0091	83155	ADAPTER KIT Dial Indicator		1	
66	0091	83165T	PULLER ASSEMBLY		1	
-	0091	805747A04	TOOL Claws		1	
67	0091	856875A1	INSTALLATION TOOL Bearing		1	
68	0091	817057A02	TOOL Backlash Indicator		1	
-	0091	883420	TOOL Sleeve (.625)		1	
69	0091	817058A1	DRIVER TOOL Bearing		1	
70	0091	877840A1	HOLDING TOOL Driveshaft		1	
71	0091	8M0026034	TOOL KIT		1	

# Powerhead Gasket Set Components

## Powerhead Gasket Set Components

Ref #	Part Class	Part Number	Description	Comments	Qty	Note
-	0027	883599A02	GASKET SET		1	
0	0027	883213	GASKET Vapor Separator Bowl		1	
0	0027	879866	GASKET SET Intake Manifold	(Contains 4 Gaskets)	1	
0	0027	892319001	GASKET Cylinder Block		1	
0	0027	857078	GASKET Exhaust Cover		1	
0	0027	887978	GASKET Thermostat		1	
0	0027	824853	GASKET Thermostat Cover		1	
0	0025	627021	O-RING (.301 x .070) Temperature Sensor	(Plastic Temperature Sensor Housing)	1	
0	0025	8M0011870	SEAL Cylinder Head		1	
0	0027	8M0045278	HEAD GASKET Cylinder Head		1	
0	0025	90196	O-RING (.921 x .139) Oil Plug		1	
0	0025	857096	O-RING Oil Pump		1	
0	0025	857094	O-RING Oil Pump		1	
0	0025	857093	O-RING Oil Pump		1	
0	0026	893949	SEAL Oil Crankshaft-Top		1	
0	0026	893948	SEAL Oil Crankshaft-Bottom		1	
0	0027	892320001	GASKET Adaptor Plate		1	
0	0025	845746	O-RING Oil Pick-UP Plate		1	



## Accessories

Ref #	Part Class	Part Number	Description	Comments	Qty	Note
-	0092	858045Q01	10W30 OB OIL 1 Liter		1	[1]
-	0092	858048Q01	25W40 SD/IB OIL 1 Quart		1	[2]
-	0032	858107Q08	HOSE ASSEMBLY Fuel (8 Feet) - With Quick Disconnect		1	[3]
-	0032	858109Q12	HOSE ASSEMBLY Fuel (12 Feet) - With Quick Disconnect		1	[4]
-	0032	858104Q08	HOSE ASSEMBLY Fuel (8 Feet) - With Quick Disconnect Engine End Only		1	[5]
-	0032	858106Q12	HOSE ASSEMBLY Fuel (12 Feet) - With Quick Disconnect Engine End Only		1	[6]
-	0032	858108Q12	HOSE ASSEMBLY Fuel (8 Feet) - No Fittings		1	[7]
-	0032	858113K08	HOSE ASSEMBLY Fuel (8 Feet) With Fuel Connector - Mercury Brand		1	[8]
-	0032	858113Q08	HOSE ASSEMBLY Fuel (8 Feet) With Fuel Connector - Quicksilver Brand		1	[8]
-	0000	821400A2	SENDER KIT Power Trim		1	
-	0000	15000A14	KEY SWITCH KIT Remote Ignition		1	
-	0000	816667A2	BRACKET ASSEMBLY Steering Without Carrying Handle		1	
-	0000	12092A20	CONVERSION KIT X-Long-Command Thrust		1	
-	0000	889246A37	CONVERSION KIT Tiller Handle - Electric Remote Control to Electric Handle	Jet	1	
-	0000	880093A03	TILLER HANDLE CONVERSION KIT 40/50/60 HP EFI		1	
-	0000	880095A08	CONVERSION KIT Tiller Handle to Remote Control (40 Hp 4-Stroke)	40/50/60 HP 4-Stroke	1	
-	0000	879291A04	TILLER HANDLE ASSEMBLY Big Tiller, 40-60 EFI FourStroke, Manual Mechanical Non Power Steering		1	
-	0000	897978K04	THROTTLE AND SHIFT KIT 40-60 EFI FourStroke (32.5 In. Shift, 36 In. Throttle)	Gearcase Models Only	1	
-	0087	897978T02	LED LIGHT AND SWITCH KIT	Used with Big Tiller Handle Assembly	1	
-	0000	8M0109720	TRIM SENDER F2 DIGITAL KIT		1	



## Accessories

**PART NOTES:**

- [1] - Alternate part numbers:
  - 858045K01MPP
  - 858045KC1MPP Canada
  - 858045Q01QS
  - 858045QB1QS Belgium
  - 858045QC1QS Canada
  - 8M0059250QS
  - 8M0059251MPP
- [2] - Alternate part numbers:
  - 858048K01MPP
  - 858048KC1MPP Canada
  - 858048Q01QS
  - 858048QB1QS Belgium
  - 858048QC1QS Canada
  - 8M0059252QS
  - 8M0059253MPP
- [3] - Alternate part numbers:
  - 858107K08MPP
  - 858107Q08QS
- [4] - Alternate part numbers:
  - 858109K12MPP
  - 858109Q12QS
- [5] - Alternate part numbers:
  - 858104K08MPP
  - 858104Q08QS
- [6] - Alternate part numbers:
  - 858106K12MPP
  - 858106Q12QS
- [7] - Alternate part numbers:
  - 858108K12MPP
  - 858108Q12QS
- [8] - Alternate part numbers:
  - 858113K08MPP
  - 858113Q08QS

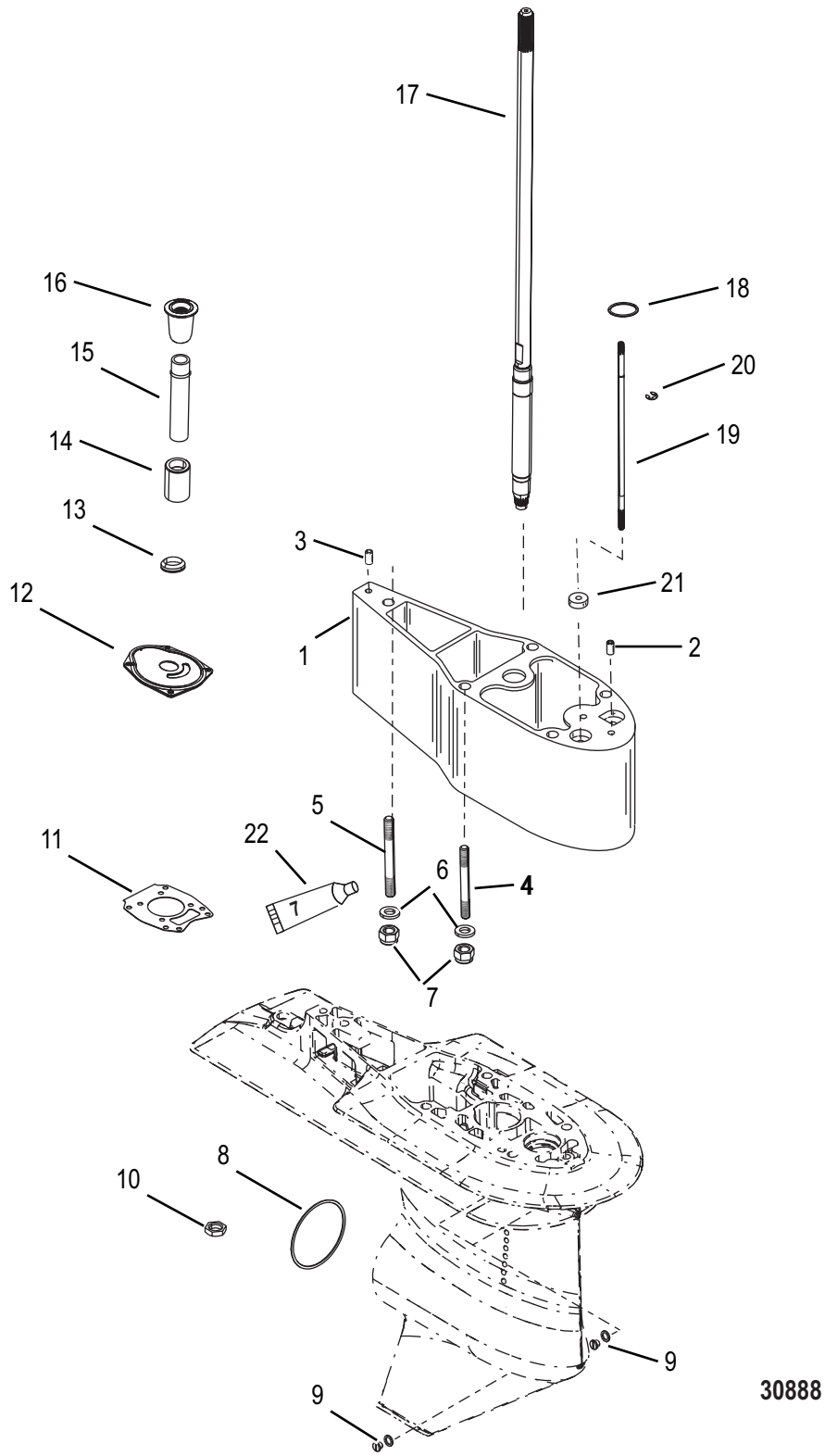




## Key, Choke and Horn Kit 15000A14

Ref #	Part Class	Part Number	Description	Comments	Qty	Note
-	0000	15000A14	KEY SWITCH KIT Remote Ignition		1	
1		NSS	NOT SOLD SEPARATE Housing		1	
2		NSS	NOT SOLD SEPARATE Key Switch Kit	Uses 89491 Series Keys	1	
NS	0086	830865	CONNECTOR		10	
3		89491_	KEY Switch Ignition (1A thru 2F Series)	See Key Chart 89491 Series	1	
4	0011	879755	NUT Special - Black Nylon		1	
5	0000	16564A1	HORN ASSEMBLY Warning		1	
6	0010	47994	SCREW (#10 x 1.50) Top		4	
7	0010	62568	SCREW (#10-16 x .375) Housing		4	
8	0054	816311T	TIE STRAP (8.00 Inches)		5	
9	0000	13541	PLUG Male		1	
10	0000	15097	SHEET Neoprene		1	
11	0000	90468A1	COVER ASSEMBLY Key		2	

# Extension Kit - 5 Inch Driveshaft Housing (12092A20)

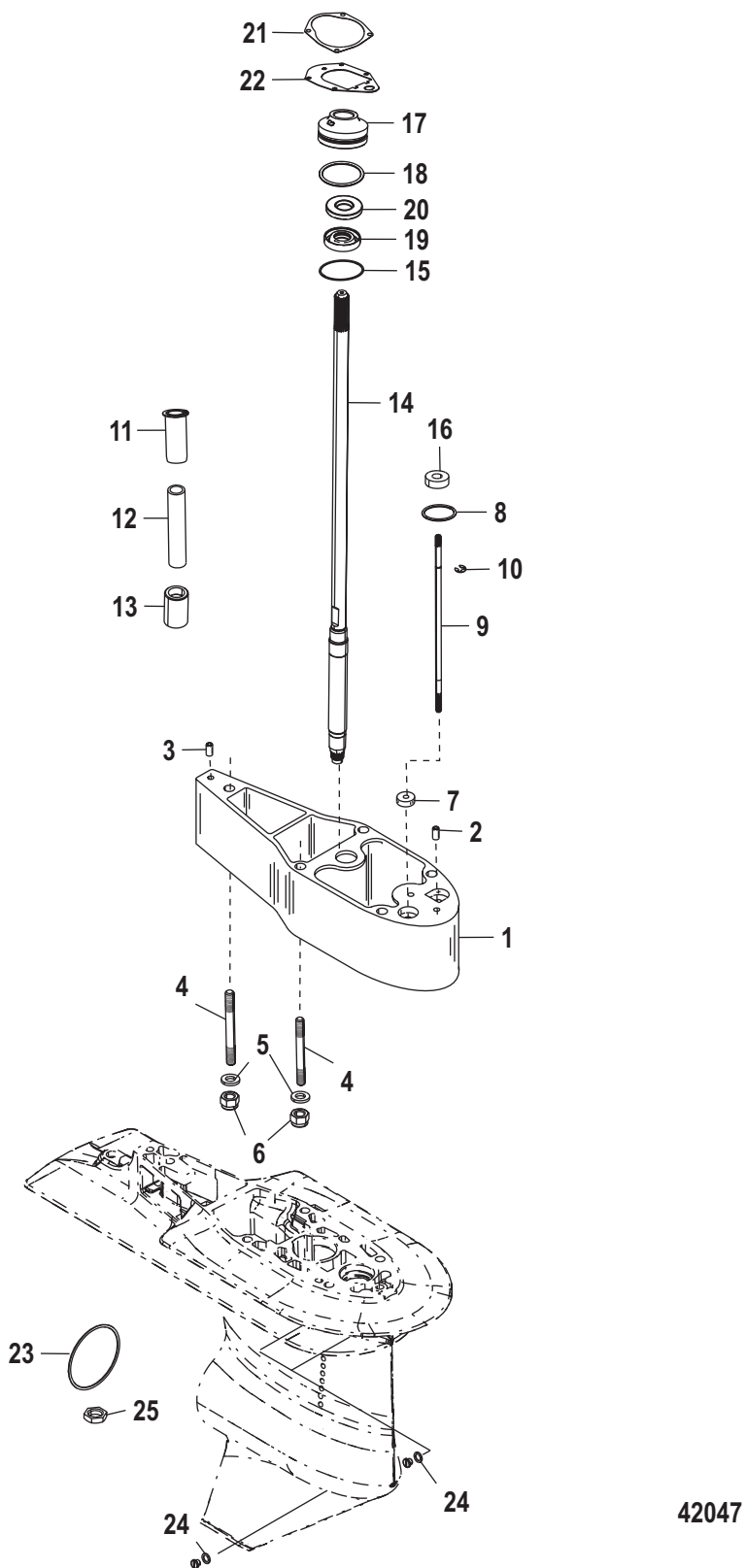


Extension Kit - 5 Inch Driveshaft Housing (12092A20)

## Extension Kit - 5 Inch Driveshaft Housing (12092A20)

Ref #	Part Class	Part Number	Description	Comments	Qty	Note
-	0000	12092A20	CONVERSION KIT X-Long-Command Thrust		1	
1	0000	12092A3	SPACER KIT		1	
2	0017	8M0084244	PIN Dowel		1	
3	0017	43044	PIN Dowel - Without Hole (.375 x .625)		1	
4	0016	8M0034462	STUD (M10 x 190)		4	
5	0016	9035015	STUD (M10 x 227)		1	
6	0012	856774	WASHER (.406 x .750 x .105) Stainless Steel		5	
7	0011	40140	NUT (M10)		5	
8	0025	861844	O-RING		1	
9	0026	830749	SEAL		3	
10	0011	35921	NUT (.625-18)		1	
11	0027	430472	GASKET		1	
12	0000	866233001	FACEPLATE		1	
-	0026	816575A2	SEAL KIT		1	
13	0026	8M2014338	SEAL Face		1	
NS		NSS	NOT SOLD SEPARATE TOOL, Seal Kit Setting		1	
14	0000	430232	SEAL		1	
15	0032	8M4501430	TUBE Water		1	
16	0000	893855	COUPLER		1	
17	0045	875222A1	DRIVESHAFT ASSEMBLY		1	
18	0025	457101	O-RING (1.424 x .103)		1	
19	0000	884565A00	SHIFT SHAFT ASSEMBLY		1	
20	0053	29641	E RING		1	
21	0023	813745	SPACER		1	
22	0092	95812	LOCTITE 271 THREADLOCKER .5 ml		2	

# Extension Kit - 2.5 Inch Driveshaft Housing (879150A88)



Extension Kit - 2.5 Inch Driveshaft Housing (879150A88)

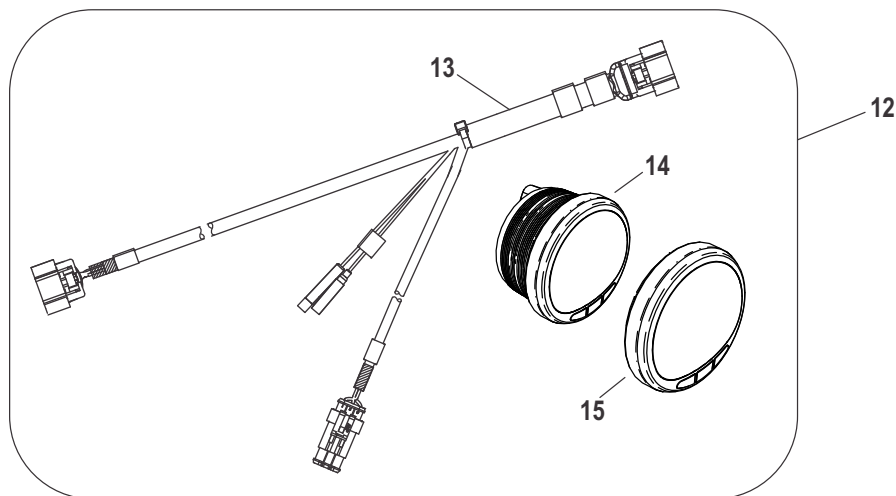
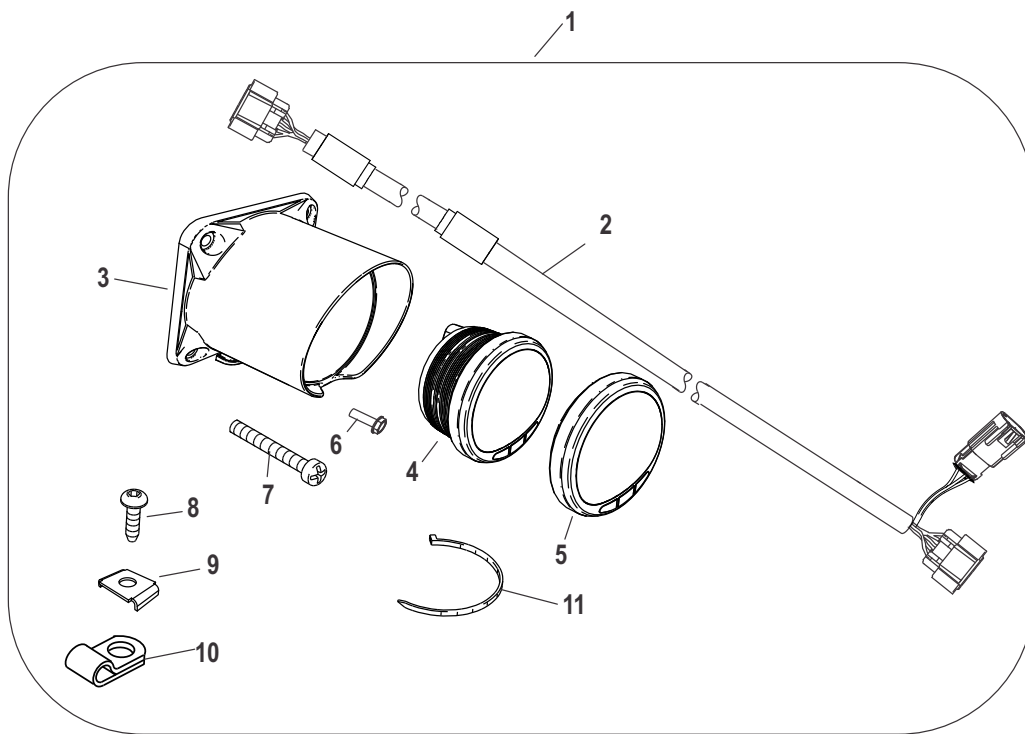
## Extension Kit - 2.5 Inch Driveshaft Housing (879150A88)

Ref #	Part Class	Part Number	Description	Comments	Qty	Note
-	0000	879150A88	EXTENSION KIT Driveshaft -2.5 Inch		1	
1	0000	816696T5	SPACER		1	
2	0017	43044	PIN Dowel - Without Hole (.375 x .625)		1	
3	0017	8M0084244	PIN Dowel		1	
4	0016	8M0034425	STUD (M10 x 120)		5	
5	0012	856774	WASHER (.406 x .750 x .105) Stainless Steel		5	
6	0011	40140	NUT (M10)		5	
7	0023	813745	SPACER		1	
8	0025	45258	O-RING (.987 x .103)		1	
9	0000	879172A39	SHIFT SHAFT ASSEMBLY		1	
10	0053	29641	E RING		1	
11	0000	893857	COUPLER		1	
12	0032	8289372	TUBE Water		1	
13	0000	430232	SEAL		1	
14	0045	880184	DRIVESHAFT		1	
15	0015	8M0063262	SHIM SET		1	
16	0026	8164641	SEAL Oil		1	
17	0046	812966A7	BASE ASSEMBLY Water Pump		1	
18	0025	30224	O-RING (1.859 x .139)		1	[1]
19	0026	814669	SEAL Oil		1	
20	0026	814670	SEAL Oil		1	
21	0027	822189	GASKET Upper Water Pump		1	
22	0027	8M4502052	GASKET Lower		1	
23	0025	815460	O-RING		1	
24	0026	830749	SEAL		3	
25	0011	559101	NUT Pinion Gear		1	
-	0090	879345036	INSTRUCTION SHEET Extension Kit		1	

**PART NOTES:**

- [1] - Alternate part numbers:  
30224Service Part  
30224QQS

# Tachometer Kits Transom and Helm Mount

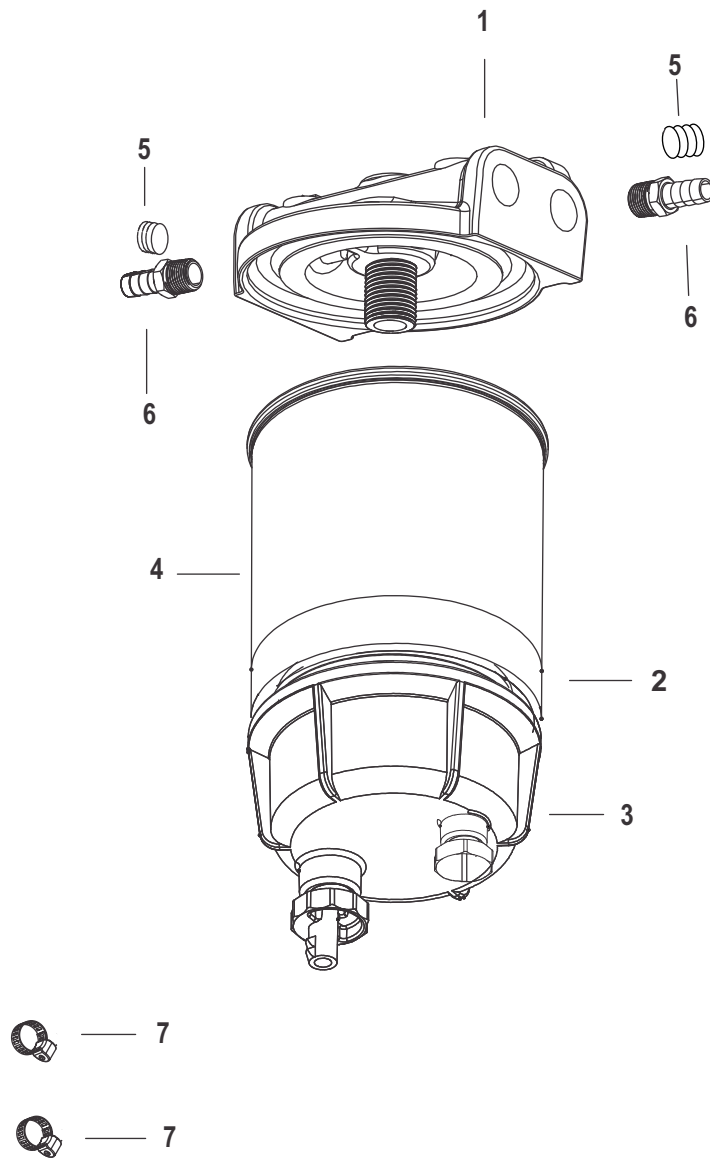


57456

## Tachometer Kits Transom and Helm Mount

Ref #	Part Class	Part Number	Description	Comments	Qty	Note
1	0079	8M0104733	TACHOMETER KIT Transom Mount		1	
2	0084	8M2100452	HARNESS Data Extension 10 Pin		1	
3	0000	8M0099412	GAUGE HOUSING		1	
4		NSS	NOT SOLD SEPARATE TACHOMETER 7K - Black		1	
5	0000	8590741	BEZEL (85 mm) Black		1	
6	0010	895054	SCREW (M4 x 16 MM)		2	
7	0010	14742	SCREW (.250-20 x 1.25)		4	
8	0010	57807	SCREW (#10-16 x .750) Stainless Steel		8	
9	0000	8M0084613	C-WASHER		8	
10	0054	22875	CLIP		8	
11	0000	69355	TIE STRAP (5.50 Inches)		1	
12	0079	8M0097226	TACHOMETER KIT Helm Mount		1	
-	0079	8M0095037	TACHOMETER KIT 7 K -Helm Mount (Black)		1	
13	0084	8M0055044	HARNESS Tachometer, V 6.0		1	
14		NSS	NOT SOLD SEPARATE TACHOMETER 7K - Black		1	
15	0000	8590741	BEZEL (85 mm) Black		1	

# Water Separator Fuel Filter Kit Without WIF Sensor-SeaPro



60904



**Water Separator Fuel Filter Kit Without WIF Sensor-SeaPro**

<b>Ref #</b>	<b>Part Class</b>	<b>Part Number</b>	<b>Description</b>	<b>Comments</b>	<b>Qty</b>	<b>Note</b>
-	0000	8M0097838	FUEL FILTER KIT		1	
1	0000	8M0095674	BASE ASSEMBLY Fuel Filter		1	
2	0035	8M0116793	FUEL FILTER KIT		1	
3	0000	8M0021044	BOWL		1	
4	0035	8M0103095	FILTER Fuel-Water Separating (11/16-16 Thread)		1	
5	0022	36373	PLUG (.375-18) Hex - Steel		2	
6	0022	8M0086290	CONNECTOR Barb		2	
7	0054	815504105	CLAMP Worm Gear (11-18 mm)		2	



## Maintenance Kits

Ref #	Part Class	Part Number	Description	Comments	Qty	Note
-	0000	8M0090558	SERVICE KIT 40-60HP 4S (100 Hour)		1	
-	0035	8M0162829	FILTER Oil		1	
-	0035	879884T	FILTER ASSEMBLY Fuel		1	
-	0035	8M0153652	FUEL FILTER High Pressure		1	
-	0026	8M0007119	SEAL Drain Plug		1	
-	0026	830749	SEAL		3	
-	0000	8M0117413	THERMOSTAT		1	
-	0027	887978	GASKET		1	
-	0027	824853	GASKET		1	
-	0000	8M0090559	SERVICE KIT 40-60HP 4S (300 Hour) BigFoot/Command Thrust Gearcase Only		1	
-	0035	8M0162829	FILTER Oil		1	
-	0035	879884T	FILTER ASSEMBLY Fuel		1	
-	0035	8M0153652	FUEL FILTER High Pressure		1	
-	0026	8M0007119	SEAL Drain Plug		1	
-	0026	830749	SEAL		3	
-	0000	8M0117413	THERMOSTAT		1	
-	0027	887978	GASKET		1	
-	0027	824853	GASKET		1	
-	0033	883323001	SPARK PLUG		4	
-	0047	8M0100527	REPAIR KIT Water Pump		1	[1]
-	0097	818298T1	ANODE KIT		1	[2]
-	0097	826134T	ANODE		2	[3]
-	0000	8M0113483	SERVICE KIT 40-60HP 4S (300 Hour) Standard Gearcase Only		1	
-	0035	8M0162829	FILTER Oil		1	
-	0035	879884T	FILTER ASSEMBLY Fuel		1	
-	0035	8M0153652	FUEL FILTER High Pressure		1	
-	0026	8M0007119	SEAL Drain Plug		1	
-	0026	830749	SEAL		3	
-	0000	8M0117413	THERMOSTAT		1	
-	0027	887978	GASKET		1	
-	0027	824853	GASKET		1	
-	0033	883323001	SPARK PLUG		4	
-	0047	19453T	IMPELLER		1	
-	0012	8M0005777	WASHER		2	
-	0028	8M0032831	KEY Impeller		1	
-	0027	822189	GASKET Upper Water Pump		1	
-	0000	19700A2	FACE PLATE		1	
-	0027	8M4502052	GASKET Lower		1	
-	0097	818298T1	ANODE KIT		1	[2]
-	0097	826134T	ANODE		2	[3]



## Maintenance Kits

**PART NOTES:**

- [1] - Alternate part numbers:
  - 8M0100526QS
  - 8M0100527MPP
- [2] - Alternate part numbers:
  - 818298A 1Service Part
  - 818298Q 1QS
  - 818298T 1MPP
  - 818298T 3Magnesium
  - 8M0059343Bulk Pack
- [3] - Alternate part numbers:
  - 826134Service Part
  - 826134QQS
  - 826134TMPP
  - 826134T 3Magnesium
  - 8M0059344Bulk Pack

# PARTS INDEX

Part No.	Description	Pg.	Ref.no	Part No.	Description	Pg.	Ref.no
11083A31	SWITCH Stop	76	24	11149A2	CABLE ASSEMBLY (6.00 Inches)	80	35
11149A2	CABLE ASSEMBLY (6.00 Inches)	122	6	12016A2	DETENT/SPRING KIT	80	6
12024	WASHER (.402 x .787 x .039 Bellevi)	62	20	12024	WASHER (.402 x .787 x .039 Bellevi)	70	23
120441	RETAINER Brass	76	25	12092A20	CONVERSION KIT X-Long-Command Thrust	124	-
12092A20	CONVERSION KIT X-Long-Command Thrust	134	-	12092A20	CONVERSION KIT X-Long-Command Thrust	140	-
12092A3	SPACER KIT	124	1	12092A3	SPACER KIT	140	1
12349A05	TOOL Pinion Locating	128	49	12576	BEARING Thrust	110	27
12577	THRUST WASHER	110	26	12578T	BEARING Roller	110	25
12596T2	CARRIER ASSEMBLY Bearing	110	20	13035002	FITTING	94	10
13541	PLUG Male	10	24	13541	PLUG Male	82	46
13541	PLUG Male	138	9	13945	INSTALLATION TOOL Bearing	128	26
13949	DRIVER TOOL Oil Seal	128	42	14308T02	BEARING RACE DRIVER	130	52
14309T02	INSTALLATION TOOL Bearing	130	53	14310T1	WEAR SLEEVE DRIVER	130	54
14311A04	TOOL Preload	130	55	14334A3	PUMP ASSEMBLY Water	96	33
14334A3	PUMP ASSEMBLY Water	116	2	14742	SCREW (.250-20 x 1.25)	144	7
15000A14	KEY SWITCH KIT Remote Ignition	82	49	15000A14	KEY SWITCH KIT Remote Ignition	134	-
15000A14	KEY SWITCH KIT Remote Ignition	138	-	15097	SHEET Neoprene	138	10
15755T	NEEDLE BEARING DRIVER	128	35	15885	SLEEVE	22	20
15920Q54	LANYARD ASSEMBLY	76	33	16564A1	HORN ASSEMBLY Warning	138	5
17264T2	TRIM TAB Zinc	100	24	18286A18	SWITCH KIT Trim (10.00 Feet)	80	29
18286A18	SWITCH KIT Trim (10.00 Feet)	122	-	18486A08	BRACKET KIT Anchor	90	12
18856M	KEY	48	3	18861	RETAINER	80	30
18861	RETAINER	122	1	19209	SCREW (#10-32 x 2.25)	80	36
19209	SCREW (#10-32 x 2.25)	122	7	19291A3	CARRIER ASSEMBLY Bearing	100	15
19384	SOCKET	18	16	19384	SOCKET	20	2
19384	SOCKET	22	14	19384	SOCKET	24	2
1938525	LINK	90	27	19453T	IMPELLER	96	30
19453T	IMPELLER	116	9	19453T	IMPELLER	148	-
19565002	GROMMET	50	8	19606	BEARING Trim Pin	88	2
19607	PIN	118	13	19607	PIN	120	18
19611	SCREW (.375-16 x .62)	90	33	19615A05	LEVER ASSEMBLY Tilt	90	28
19619	WASHER	90	11	19624A1	SEAL KIT	90	38
196601	INDICATOR TOOL Backlash	130	56	19700A2	FACE PLATE	96	36
19700A2	FACE PLATE	148	-	19917	CAM Shift	110	4
1993325	SCREW (M10 x 25 MM)	94	3	1993716	SCREW (M6 x 16)	80	15
1993720	SCREW (M6 x 20)	26	13	1993720	SCREW (M6 x 20)	28	4
1993720	SCREW (M6 x 20)	30	4	1995660	SCREW (M10 x 60)	114	26
1995670	SCREW (M10 x 70)	114	28	1996230	SCREW (M10 x 30)	100	25
20839T	BEARING Ball	100	14	210711	COTTER PIN	26	7
210711	COTTER PIN	80	2	21700	BEARING Needle	100	6
21700	BEARING Needle	100	17	22740	CLIP	90	41
22875	CLIP	144	10	23784	PIN Dowel	50	2
24156	NUT (.625-18)	128	29	24697	EXPANDER TOOL Piston Ring	126	9
24836	CLIP	10	13	26811	COTTER PIN	60	22
26919	LINE Fuel	90	39	26996	LOCKWASHER (#10) Stainless Steel	88	20
27780	PULLER	128	37	291112	FITTING	50	26
29245	WASHER (.281 x .500 x .060) Stainless Steel	26	6	29245	WASHER (.281 x .500 x .060) Stainless Steel	80	3
29245	WASHER (.281 x .500 x .060) Stainless Steel	90	15	29310	PLATE	128	31
29330	WASHER	64	13	29330	WASHER	66	13
29330	WASHER	68	13	29330	WASHER	74	16
29330	WASHER	80	39	29330	WASHER	88	12
29641	E RING	60	29	29641	E RING	70	38
29641	E RING	72	40	29641	E RING	72	60
29641	E RING	96	17	29641	E RING	106	37
29641	E RING	124	17	29641	E RING	140	20
29641	E RING	142	10	30224	O-RING (1.859 x .139)	96	27
30224	O-RING (1.859 x .139)	142	18	30893	SPRING	110	18
30894A1	BEARING SET Cup And Cone	110	11	30895T	BEARING Needle	110	14
30956T	BEARING Needle	110	22	31106T	MANDREL Bearing Driver Cup	130	57
31108T	DRIVER Oil Seal	130	58	31229	SHAFT	128	32
31229A7	PULLER KIT Bearing	128	-	31640T07	TRIM TAB	104	7

# PARTS INDEX

Part No.	Description	Pg.	Ref.no	Part No.	Description	Pg.	Ref.no
34569A1	PULLER ASSEMBLY Slide Hammer	130	59	34961	WASHER	128	30
35462	WASHER (.2656 x .625 x .0625) Stainless Steel	26	5	35462	WASHER (.2656 x .625 x .0625) Stainless Steel	28	10
35462	WASHER (.2656 x .625 x .0625) Stainless Steel	30	10	35462	WASHER (.2656 x .625 x .0625) Stainless Steel	80	20
35921	NUT (.625-18)	104	16	35921	NUT (.625-18)	140	10
36001	WASHER	114	17	36373	PLUG (.375-18) Hex - Steel	146	5
36569T	DRIVE HEAD TOOL	128	36	36571T	PILOT WASHER	128	33
37241	PULLER PLATE Universal	128	38	37312T	DRIVESHAFT BEARING DRIVER	128	39
37323	DRIVER ROD TOOL Needle Bearings	128	34	37350T	PILOT MANDREL	130	61
37828	WASHER (.390 x .625 x .062) Stainless Steel	86	20	38114	SPRING	100	11
38833	WASHER	80	27	4000325	SCREW (M6 x 8)	44	3
4000328	SCREW (M6 x 16)	114	21	4000330	SCREW (M6 x 25)	76	14
4000330	SCREW (M6 x 25)	90	14	4000333	SCREW (M6 x 40)	46	10
4000333	SCREW (M6 x 40)	104	14	4000377	SCREW (M10 x 30)	86	25
4000380	SCREW (M10 x 45)	94	22	40011107	SCREW (M5 x 16) Stainless Steel	10	26
40011107	SCREW (M5 x 16) Stainless Steel	76	13	40011126	SCREW (M6 x 13) Stainless Steel	32	21
40011128	SCREW (M6 x 20) Stainless Steel	80	18	40011128	SCREW (M6 x 20) Stainless Steel	86	4
40011130	SCREW (M6 x 30) Stainless Steel	70	3	40011153	SCREW (M8 x 45) Stainless Steel	12	36
4001987	SCREW (M4 x 16)	54	25	4001987	SCREW (M4 x 16)	58	22
4001987	SCREW (M4 x 16)	72	61	4001987	SCREW (M4 x 16)	80	24
4001991	SCREW (M4 x 35)	72	56	4002314	WASHER	80	8
4002316	WASHER (6.60 X 17.0 X 1.5SS)	10	3	4002316	WASHER (6.60 X 17.0 X 1.5SS)	16	13
4002316	WASHER (6.60 X 17.0 X 1.5SS)	32	15	4002316	WASHER (6.60 X 17.0 X 1.5SS)	36	37
4002316	WASHER (6.60 X 17.0 X 1.5SS)	60	28	4002316	WASHER (6.60 X 17.0 X 1.5SS)	114	29
4002317	WASHER (8.90 X 17.0 X 1.9SS)	114	30	4002319	WASHER	60	4
4002319	WASHER	62	14	4002319	WASHER	70	22
4002319	WASHER	70	29	4002319	WASHER	86	26
4002319	WASHER	90	35	4002320	WASHER	14	17
4005685	SCREW (M4 x 10)	70	13	4005685	SCREW (M4 x 10)	74	9
4005685	SCREW (M4 x 10)	74	13	400632	NUT	4	8
4006731	SCREW (M6 x 16)	50	6	4007153	SCREW (M8 x 25)	114	8
4007455	SCREW (M6 x 55)	50	13	4008910	SCREW (M8 x 10) Stainless Steel	74	24
4008910	SCREW (M8 x 10) Stainless Steel	82	48	4009040	SCREW (M10 x 40) Stainless Steel	90	34
4010770	SCREW (M8 x 70)	18	1	4010770	SCREW (M8 x 70)	22	1
4010890	SCREW (M10 x 90) Hex Flange - Stainless Steel	114	27	401196	NUT (M6)	18	3
401196	NUT (M6)	22	3	401196	NUT (M6)	32	16
401365	NUT (M5) Stainless Steel	80	9	401366	NUT (M6) Stainless Steel	38	5
401366	NUT (M6) Stainless Steel	80	21	401378	NUT (M8)	110	30
401386	NUT (M6) Stainless Steel	26	9	401386	NUT (M6) Stainless Steel	28	9
401386	NUT (M6) Stainless Steel	30	9	401386	NUT (M6) Stainless Steel	96	7
401386	NUT (M6) Stainless Steel	104	13	401388	NUT (M8) Stainless Steel	90	19
401388	NUT (M8) Stainless Steel	114	7	401388	NUT (M8) Stainless Steel	114	24
4013930	SCREW (M5 x 30)	14	10	40140	NUT (M10)	62	13
40140	NUT (M10)	86	16	40140	NUT (M10)	90	36
40140	NUT (M10)	94	16	40140	NUT (M10)	124	8
40140	NUT (M10)	140	7	40140	NUT (M10)	142	6
41069	SCREW (#10-24 x .750)	88	19	416223	PLUG Pipe (.750-14)	42	5
42461A1	SLEEVE/RING KIT	104	20	42942	CAP	18	4
42942	CAP	22	4	430232	SEAL	124	13
430232	SEAL	140	14	430232	SEAL	142	13
43026T2	IMPELLER	104	33	43035	SEAL Oil Upper	104	25
43035A05	SEAL KIT Gear Housing	106	-	43035A05	SEAL KIT Gear Housing	110	-
43036	SEAL Oil Lower	104	26	43040T1	CARRIER ASSEMBLY	104	10
43044	PIN Dowel - Without Hole (.375 x .625)	62	16	43044	PIN Dowel - Without Hole (.375 x .625)	96	5
43044	PIN Dowel - Without Hole (.375 x .625) Rear	104	6	43044	PIN Dowel - Without Hole (.375 x .625)	114	25
43044	PIN Dowel - Without Hole (.375 x .625)	124	3	43044	PIN Dowel - Without Hole (.375 x .625)	140	3
43044	PIN Dowel - Without Hole (.375 x .625)	142	2	43046	TUBE Oiler	104	3
430472	GASKET	104	24	430472	GASKET	124	14
430472	GASKET	140	11	43052A4	BUSHING ASSEMBLY	106	38
4324210	CABLE ASSEMBLY Throttle (30.50 Inches)	76	5	4324211	CABLE ASSEMBLY Throttle (41.50 Inches)	76	6
43506T	RETAINING TOOL Bearing	128	44	44357Q2	FLUSHING ATTACHMENT	126	1
451761	WASHER (.453 x .812 x .105) Black Oxide	104	9	45258	O-RING (.987 x .103)	96	19

# PARTS INDEX

Part No.	Description	Pg.	Ref.no	Part No.	Description	Pg.	Ref.no
45258	O-RING (.987 x .103)	142	8	457101	O-RING (1.424 x .103)	106	39
457101	O-RING (1.424 x .103)	124	18	457101	O-RING (1.424 x .103)	140	18
46086A1	PULLER JAW ASSEMBLY	130	60	47341A11	ROPE AND HANDLE KIT Manual Starting	4	-
479452	PLUG	42	3	479452	PLUG	42	14
47994	SCREW (#10 x 1.50) Top	138	6	55910	NUT (.437-20)	96	12
559101	NUT Pinion Gear	142	25	56762	TIE STRAP (4.00 Inches)	26	16
56762	TIE STRAP (4.00 Inches)	36	35	57807	SCREW (#10-16 x .750) Stainless Steel	144	8
58222A1	DIAL INDICATOR TOOL	130	63	62568	SCREW (#10-16 x .375) Housing	138	7
627021	O-RING (.301 x .070)	42	22	627021	O-RING (.301 x .070) Temperature Sensor	132	0
629101	FITTING Elbow - 90 Degree (.125-27)	44	12	629101	FITTING Elbow - 90 Degree (.125-27)	50	9
63209	HEAT LAMP	128	24	65292	J CLIP	12	35
65830	NYLINER	90	7	66301	SEAL Oil	50	11
69188	SEAL Oil	100	18	69189	SEAL Oil	100	19
69355	TIE STRAP (5.50 Inches)	144	11	69570	SCREW (#10-16 x .750)	26	15
69570	SCREW (#10-16 x .750)	80	10	69578Q1	PROP NUT KIT	100	32
70080	SEAL Oil Inner	110	23	70081	SEAL Oil Outer	110	24
73345A1	THRUST HUB	100	31	74036	FITTING Grease	64	6
74036	FITTING Grease	66	6	74036	FITTING Grease	68	6
74036	FITTING Grease	74	23	74036	FITTING Grease	82	47
74036	FITTING Grease	88	3	74036	FITTING Grease	88	4
74647	NYLINER	26	18	74647	NYLINER	28	13
74647	NYLINER	30	13	74951	SPANNER WRENCH	126	16
76281	TAB WASHER	100	33	76629	LOCKWASHER Internal Tooth (.750)	52	14
76629	LOCKWASHER Internal Tooth (.750)	56	11	768042	SHOULDER SCREW Hex	64	8
768042	SHOULDER SCREW Hex	66	8	768042	SHOULDER SCREW Hex	68	8
768042	SHOULDER SCREW Hex	74	21	768042	SHOULDER SCREW Hex	82	44
768042	SHOULDER SCREW Hex	88	17	77420A1	BEARING ASSEMBLY Roller	96	23
77653101	HOSE (48.00 Inches Bulk) Cut to 19 Inches - To Fitting in Adaptor Plate	44	19	78861	SPACER	90	40
78910	WASHER	100	9	78910	WASHER	110	9
79091	FUSE 20 Ampere	80	33	79091	FUSE 20 Ampere	122	4
79910	SPRING	110	8	801403875	TAB WASHER	114	20
801404875	SHIM Impeller	114	19	801405875	KEY	114	18
801412T02	HOUSING Intake	114	10	801432001	BOLT (M6 x 25)	114	32
802653Q02	WRENCH Oil Filter	126	3	802867Q1	ANTI-CORROSION GREASE 8 oz	126	20
802889Q1	PUMP Crankcase Oil	126	2	803496T2	BEARING/SEAL KIT	106	-
803496T2	BEARING/SEAL KIT	110	-	805747A04	TOOL Claws	130	-
809494A1	COMPRESSOR TOOL Valve Spring	126	17	809495001	TOOL Valve Guide	126	14
809496A1	INSTALLER TOOL Valve Guide Bushing	126	15	809876A1	SCREW KIT Motor	120	12
809877A1	DRIVESHAFT/SEAL KIT	120	13	810776A1	PISTON ASSEMBLY Memory	120	2
812707	BUSHING	90	29	812708	SPRING	90	8
812768	BEARING Roller	96	15	8128201	NUT	96	25
812966A12	REPAIR KIT Water Pump	96	-	812966A7	BASE ASSEMBLY Water Pump	96	26
812966A7	BASE ASSEMBLY Water Pump	142	17	813430A1	PISTON ASSEMBLY Trim Memory	118	2
8134351	PLUG	120	9	813523	SCREW (#10-16 x 2.25)	80	36
813523	SCREW (#10-16 x 2.25)	122	7	813696A2	BUSHING ASSEMBLY	96	18
813745	SPACER	124	6	813745	SPACER	140	21
813745	SPACER	142	7	814259	SCREW (.500-20 x 4.00)	90	24
814669	SEAL Oil	96	28	814669	SEAL Oil	142	19
814669A2	SEAL KIT Gear Housing	96	-	814669A2	SEAL KIT Gear Housing	100	-
814670	SEAL Oil	96	29	814670	SEAL Oil	142	20
8147763	SCREW (M6 x 60)	18	2	8147763	SCREW (M6 x 60)	22	2
814820	ADAPTER	80	31	814820	ADAPTER	122	2
815460	O-RING	100	16	815460	O-RING	142	23
815504105	CLAMP Worm Gear (11-18 mm)	146	7	816311T	TIE STRAP (8.00 Inches)	12	38
816311T	TIE STRAP (8.00 Inches)	14	4	816311T	TIE STRAP (8.00 Inches)	42	25
816311T	TIE STRAP (8.00 Inches)	44	20	816311T	TIE STRAP (8.00 Inches)	50	10
816311T	TIE STRAP (8.00 Inches)	50	24	816311T	TIE STRAP (8.00 Inches)	52	10
816311T	TIE STRAP (8.00 Inches)	56	7	816311T	TIE STRAP (8.00 Inches)	74	12
816311T	TIE STRAP (8.00 Inches)	76	31	816311T	TIE STRAP (8.00 Inches)	82	50
816311T	TIE STRAP (8.00 Inches)	94	11	816311T	TIE STRAP (8.00 Inches)	138	8



# PARTS INDEX

Part No.	Description	Pg.	Ref.no	Part No.	Description	Pg.	Ref.no
8164641	SEAL Oil	96	20	8164641	SEAL Oil	106	40
8164641	SEAL Oil	142	16	8165621	DISC	64	9
8165621	DISC	66	9	8165621	DISC	68	9
8165621	DISC	74	19	8165621	DISC	82	42
8165621	DISC Friction	88	16	816575A2	SEAL KIT	106	-
816575A2	SEAL KIT	140	-	816667A2	BRACKET ASSEMBLY Steering Without Carrying Handle	134	-
816696T5	SPACER	142	1	817005	INSTALLER TOOL Bearing	128	45
817006	INSTALLER TOOL Water Pump Base Seal	128	46	817007T	INSTALLER TOOL Seal	128	43
817008A2	LOCATION TOOL Pinion Gear	128	47	817009T	DRIVER TOOL Bearing Cup	128	48
817011T	INSTALLER TOOL Needle Bearing	128	40	817057A02	TOOL Backlash Indicator	130	68
817058A1	DRIVER TOOL Bearing	130	69	817070	HOLDING TOOL Driveshaft	130	62
817275A2	HOUSING KIT Upper Water Pump	104	28	8172761	FACEPLATE	104	29
8172771	GASKET	104	27	818226A1	SEAL/PLATE KIT	96	8
818298Q1	ANODE KIT	90	13	818298T1	ANODE KIT	148	-
818298T1	ANODE KIT	148	-	818967	GROMMET	16	7
818968	BUSHING	16	8	82129114	SCREW (M6 x 14)	10	15
82129125	SCREW (M6 x 25 MM)	10	1	82129125	SCREW (M6 x 25 MM)	16	9
82129130	SCREW (M6 x 30)	16	4	82130010	SCREW (M6 x 10)	72	64
82130020	SCREW (M6 x 20)	80	11	82130025	SCREW (M6 x 25)	36	7
82130025	SCREW (M6 x 25)	36	36	821314T01	CLUTCH	100	10
821400A2	SENDER KIT Power Trim	134	-	8214281	SCREW (#10-16 x .625)	18	13
8214281	SCREW (#10-16 x .625)	22	10	8214281	SCREW (#10-16 x .625)	38	25
821455A4	BRACKET Tiller	76	26	821461	SPRING	90	21
821463A2	TILLER TUBE	76	18	821465	HANDLE Throttle	76	20
821477	BUSHING 1.485-1.475 Inside Diameter	76	10	821477	BUSHING 1.485-1.475 Inside Diameter	76	28
821539	PIN Trilobe	118	14	821539	PIN Trilobe	120	17
8217711	BUSHING	88	9	821777	BUSHING Lower	88	7
821957	BRAKE PLATE	80	41	821961	ROD	64	12
821961	ROD	66	12	821961	ROD	68	12
821961	ROD	74	17	821961	ROD	80	40
821961	ROD Threaded	88	13	821972T	KNOB Throttle	76	17
822148A6	COVER KIT	76	1	822150	PULLEY	76	2
822157T03	TRIM TAB Aluminum	100	24	822189	GASKET Upper Water Pump	96	35
822189	GASKET Upper Water Pump	116	3	822189	GASKET Upper Water Pump	142	21
822189	GASKET Upper Water Pump	148	-	82239312	SCREW (M5 x 12)	12	37
822404	SEAL	88	8	822407F1	COVER	76	9
822426T03	LATCH ASSEMBLY Rear	8	18	822441	RETAINER	76	12
822464	PLUG	50	7	822560A5	HARNESS ASSEMBLY DDT Adapter	126	11
822625	NIPPLE (M20)	42	7	822682A4	LEVER ASSEMBLY Throttle	18	5
822682A4	LEVER ASSEMBLY Throttle	22	5	8227731	INSERT Threaded	100	2
8227731	INSERT Threaded	110	2	822865T05	BRACKET Transom - Starboard	90	4
822866T04	BRACKET Transom - Port	90	1	822869001	PIN	120	19
8231871	SCREW (M4 x 14.5)	4	6	823567105	SCREW (M10 x 105) Hex Flange - Stainless Steel	70	21
823609A14	SWITCH Stop	76	22	823687	CLIP	76	23
8237011	DECAL Co-Pilot	64	7	8237011	DECAL Co-Pilot	66	7
8237011	DECAL Co-Pilot	68	7	8237011	DECAL Co-Pilot	74	22
8237011	DECAL Co-Pilot	82	45	8237011	DECAL Co-Pilot	88	5
823792	LEVER	64	14	823792	LEVER	66	14
823792	LEVER	68	14	823792	LEVER	74	15
823792	LEVER	80	38	823792	LEVER Co-Pilot	88	11
823919	SCREW (.375-24 x 1.500)	86	18	823984	STUD (M10 x 50)	94	14
824015	CUP Barrel Retainer	28	2	824015	CUP Barrel Retainer	30	2
82409316	DECAL F-N-R Shift	76	32	8242004	DECAL	76	19
824459110	SCREW (M8 x 110) Stainless Steel	94	5	8248324	SCREW (M6 x 16)	10	12
8248324	SCREW (M6 x 16)	22	19	8248324	SCREW (M6 x 16)	96	37
8248324	SCREW (M6 x 16)	116	7	8248326	SCREW (M6 x 25 MM)	14	2
8248326	SCREW (M6 x 25 MM)	38	20	8248326	SCREW (M6 x 25 MM)	38	27
8248329	SCREW (M6 x 40)	10	30	8248329	SCREW (M6 x 40)	18	10
8248329	SCREW (M6 x 40)	22	7	82484890	SCREW (M10 x 90)	70	27
82484890	SCREW (M10 x 90)	76	37	824853	GASKET	42	17

# PARTS INDEX

Part No.	Description	Pg.	Ref.no	Part No.	Description	Pg.	Ref.no
824853	GASKET Thermostat Cover	132	0	824853	GASKET	148	-
824853	GASKET	148	-	824853	GASKET	148	-
825003A1	CABLE ASSEMBLY DDT 10 Feet	128	41	82500925	SCREW (M6 x 25)	44	21
825010	PIN Dowel	42	2	825010	PIN Dowel	44	16
82503395	SCREW (M9 x 95)	44	15	825078	BUSHING	18	8
825078	BUSHING	22	15	825220T06	PIPE Exhaust	94	2
82526225	SCREW (M8 x 25 MM)	76	8	825427	SCREW (.437-14 x 1.250) Stainless Steel	104	8
825990	DIPSTICK	50	5	826134Q	ANODE	96	3
826134Q	ANODE	104	12	826134T	ANODE	148	-
826134T	ANODE	148	-	826149	PIN	46	2
826193T03	PROPELLER SHAFT	100	12	826276	BUMPER	94	8
826277T04	CHAP Long - Port	8	1	826278T08	CHAP Long - Starboard	8	2
826291T02	BRACKET Front Latch	4	5	826292	NUT (M10) Brass/Nickel Plated	62	10
826292	NUT (M10) Brass/Nickel Plated	70	26	826658	BUMPER	86	5
826709113	NUT (.375-24) Stainless Steel	74	14	826709113	NUT (.375-24) Stainless Steel	80	37
826709113	NUT (.375-24) Stainless Steel	86	22	826709113	NUT (.375-24) Stainless Steel	88	10
82671117	NUT (.500-20)	90	26	826792	WAVE WASHER	76	27
826802T36	HARNESSE ASSEMBLY Trim	16	15	82684425	SCREW (M6 x 25)	104	34
82684425	SCREW (M6 x 25)	106	41	82684430	SCREW (M6 x 30)	32	3
82684430	SCREW (M6 x 30)	38	23	82684430	SCREW (M6 x 30)	104	30
827188T02	LINER	114	11	8271891	SLEEVE	114	15
8271901	NUT	114	16	8272822	DECAL Warning High Voltage	12	-
827314	WASHER	76	29	827490	HOSE Lube	114	5
82761140	SCREW (M10 x 40)	14	16	827706A4	BRACKET	22	17
827948	FITTING	8	8	8279971	SPACER	86	9
8279973	SPACER	86	9	828102	BRACKET	16	6
828249	GROMMET	72	58	828529	GUIDE	94	19
828547353	CONDUIT (.350 Inside Diameter x 3.00 Feet Bulk) Cut to 24 Inches	34	1	828547633	CONDUIT (.620 Inside Diameter x 3.00 Feet Bulk)	32	22
828547633	CONDUIT (.620 Inside Diameter x 3.00 Feet Bulk)	76	30	828547T1	CONDUIT (.500 Inside Diameter x 3.00 Feet Bulk) Cut to 26 Inches	32	2
828813T1	ARM Steering Handle	76	11	828817001	GROMMET	94	9
8288181	PLUG Drain	94	6	8289372	TUBE Water	142	12
830180A01	HANDLE KIT Shift	76	34	830253	DECAL Tilt Lock	90	37
830294T3	BRACKET	18	6	830294T3	BRACKET	80	17
830749	SEAL	96	13	830749	SEAL	104	5
830749	SEAL	124	10	830749	SEAL	140	9
830749	SEAL	142	24	830749	SEAL	148	-
830749	SEAL	148	-	830749	SEAL	148	-
830865	CONNECTOR	138	NS	8308971	FOAM PAD	10	29
83155	ADAPTER KIT Dial Indicator	130	65	83163M	HOLDER TOOL Flywheel	126	4
83164M	FLYWHEEL PULLER	126	5	83165T	PULLER ASSEMBLY	130	66
832969T05	FUSE Mini - Tan - 5 Ampere	10	21	832969T15	FUSE Mini - Blue - 15 Ampere	10	21
832969T20	FUSE Mini - Yellow - 20 Ampere	10	21	832969T25	FUSE Mini - Clear - 25 Ampere	10	21
832990T3	VALVE Intake	40	2	833102T	GEAR Drive	14	13
833104T6	GEAR Driven	14	15	834786A05	SOUND BLANKET KIT	4	9
834838	LOAD RING	14	12	834985	GROMMET	10	4
834985	GROMMET	16	11	834985	GROMMET	32	14
834985	GROMMET	36	11	842071A01	CAM/FOLLOWER KIT	96	11
842071A01	CAM/FOLLOWER KIT	100	26	845746	O-RING	50	15
845746	O-RING Oil Pick-UP Plate	132	0	850066T01	SWIVEL BRACKET	88	1
850175T03	SWIVEL TUBE ASSEMBLY Short	86	10	850181	TIE STRAP (11.750 Inches)	8	26
850181	TIE STRAP (11.750 Inches)	38	24	852375A6	HARNESSE ASSEMBLY Extension	82	51
852421T09	HOUSING Driveshaft	94	1	852554T03	CHAP Short - Port	8	1
852555T06	CHAP Short - Starboard	8	2	854445	SENSOR MAP	38	15
854793	HOSE Oil Pickup	50	19	855228	CLAMP	50	18
855697	CLAMP	66	18	855708T60	IMPELLER	114	9
855767T01	HOUSING Pump	114	1	855769T01	DRIVESHAFT	114	12
85594030	SCREW (M8 x 30)	90	16	85594030	SCREW (M8 x 30)	100	20
855941	WASHER (.323 x .590 x .112) Stainless Steel	100	21	855941	WASHER (.323 x .590 x .112) Stainless Steel	110	29
856774	WASHER (.406 x .750 x .105) Stainless Steel	94	15	856774	WASHER (.406 x .750 x .105) Stainless Steel	94	21

# PARTS INDEX

Part No.	Description	Pg.	Ref.no	Part No.	Description	Pg.	Ref.no
856774	WASHER (.406 x .750 x .105) Stainless Steel	100	34	856774	WASHER (.406 x .750 x .105) Stainless Steel	124	7
856774	WASHER (.406 x .750 x .105) Stainless Steel	140	6	856774	WASHER (.406 x .750 x .105) Stainless Steel	142	5
856823	RING Retaining	110	15	856875A1	INSTALLATION TOOL Bearing	130	67
856954	BUSHING	8	15	856954	BUSHING	10	6
856954	BUSHING	16	10	856954	BUSHING	32	13
856954	BUSHING	36	12	856982	WASHER (.500 x .810 x .090) Stainless Steel	86	27
857077T02	CRANKSHAFT ASSEMBLY	48	1	857078	GASKET	42	12
857078	GASKET Exhaust Cover	132	0	8570851	SHAFT Rocker	40	10
857087T1	PUMP ASSEMBLY Oil	46	4	857093	O-RING	46	8
857093	O-RING Oil Pump	132	0	857094	O-RING	46	7
857094	O-RING Oil Pump	132	0	857096	O-RING	46	5
857096	O-RING Oil Pump	132	0	857139	SCREW (M8 x 35)	42	24
85716	PULLER BOLT TOOL Bearing Carrier	130	64	858045Q01	10W30 OB OIL 1 Liter	134	-
858048Q01	25W40 SD/IB OIL 1 Quart	134	-	858104Q08	HOSE ASSEMBLY Fuel (8 Feet) - With Quick Disconnect Engine End Only	134	-
858106Q12	HOSE ASSEMBLY Fuel (12 Feet) - With Quick Disconnect Engine End Only	134	-	858107Q08	HOSE ASSEMBLY Fuel (8 Feet) - With Quick Disconnect	134	-
858108Q12	HOSE ASSEMBLY Fuel (8 Feet) - No Fittings	134	-	858109Q12	HOSE ASSEMBLY Fuel (12 Feet) - With Quick Disconnect	134	-
858113K08	HOSE ASSEMBLY Fuel (8 Feet) With Fuel Connector - Mercury Brand	134	-	858113Q08	HOSE ASSEMBLY Fuel (8 Feet) With Fuel Connector - Quicksilver Brand	134	-
858271	SEAL	40	3	858869	NUT (.875-14)	90	23
858951	J CLIP	80	22	858954	CLIP (.625)	10	9
8590741	BEZEL (85 mm) Black	144	5	8590741	BEZEL (85 mm) Black	144	15
859101T03	GEAR ASSEMBLY Forward	100	3	859102	DRIVESHAFT Long	96	21
859103T	GEAR Pinion - 12 Teeth	96	10	859104T01	GEAR Reverse	100	13
859105A1	DRIVESHAFT ASSEMBLY	104	19	859284T2	FLYWHEEL COVER	14	1
859575	PIN	40	17	859578A1	PLUG ASSEMBLY Oil	44	17
859594	BUSHING	50	12	859768	WASHER	44	4
861844	O-RING	110	21	861844	O-RING	124	9
861844	O-RING	140	8	866233001	FACEPLATE	140	12
875206	SCREW (M6 x 16)	46	9	875209	PIPE PLUG	44	6
875218	SCREW (M8 x 23)	40	15	875222A1	DRIVESHAFT ASSEMBLY	104	19
875222A1	DRIVESHAFT ASSEMBLY	124	15	875222A1	DRIVESHAFT ASSEMBLY	140	17
877321A1	INSTALLATION TOOL Bearing	128	25	8775381	PROTECTIVE SLEEVE	34	4
877805T	SOLENOID VALVE	38	6	877829T01	MANIFOLD Intake	38	1
877829T06	MANIFOLD ASSEMBLY Intake - Complete	38	-	877831A02	THROTTLE BODY ASSEMBLY	38	11
877831A1	HOSE	38	10	877834	BRACKET	38	4
877840A1	HOLDING TOOL Driveshaft	130	70	878089	PLUG Pipe (.0625-27)	96	14
878143T05	STATOR	14	11	878183	PIN Dowel	46	3
878377T01	LINKAGE KIT Shift	114	2	878380T01	REVERSE GATE With Bumper	114	4
878382	CAM	114	3	878607	SCREW (#10-16 x .375)	86	15
878608	SCREW (#10-16 x .500)	76	4	878609	SCREW (#10-16 x .600)	92	43
879147T24	CAP	8	13	879150A88	EXTENSION KIT Driveshaft -2.5 Inch	142	-
879172A39	SHIFT SHAFT ASSEMBLY	142	9	879291A04	TILLER HANDLE ASSEMBLY Big Tiller, 40-60 EFI FourStroke, Manual Mechanical Non Power Steering	70	-
879291A04	TILLER HANDLE ASSEMBLY Big Tiller, 40-60 EFI FourStroke, Manual Mechanical Non Power Steering	74	-	879291A04	TILLER HANDLE ASSEMBLY Big Tiller, 40-60 EFI FourStroke, Manual Mechanical Non Power Steering	134	-
879345036	INSTRUCTION SHEET Extension Kit	142	-	879346A01	SHIFT HANDLE ASSEMBLY	70	2
879346A03	THROTTLE FRICTION KNOB ASSEMBLY	72	59	879346T02	HOUSING Steering Handle, Upper	70	1
879346T04	COVER Steering Handle, Lower	72	55	879346T05	THROTTLE GRIP ASSEMBLY	70	6
879346T06	GRIP Rubber	70	7	879346T08	CHASSIS Throttle Grip	70	11
879346T10	COVER Switch/Light	72	57	879346T11	HANDLE	70	31
879346T12	TILT LOCK ASSEMBLY	70	30	879346T15	COVER Shift Handle-Mercury	70	5
879346T16	BEARING CAP	70	16	879346T17	BRACKET Shift Mount	72	65
879346T19	GROMMET	70	18	879346T20	COVER	74	1
879346T26	BRACKET	70	25	879347A01	EMERGENCY STOP SWITCH	74	2
879347A02	TRIM SWITCH ASSEMBLY	74	7	879347A03	HARNESS AND PLATE ASSEMBLY	74	10
879347A04	SHIFT ARM AND GEAR ASSEMBLY	70	36	879347A05	THROTTLE GEAR ASSEMBLY	70	39
879347A08	SPRING AND GUIDE KIT	72	49	879347T06	SWITCH Neutral	72	51
879347T07	GEAR PLATE ASSEMBLY	70	35	879652003	WASHER	114	33
8796522	THRUST WASHER	114	13	8796531	BEARING Ball	114	14
879755	NUT Special - Black Nylon	138	4	879865	CAM Throttle	18	9

# PARTS INDEX

Part No.	Description	Pg.	Ref.no	Part No.	Description	Pg.	Ref.no
879865	CAM Throttle	22	8	879866	GASKET SET	38	2
879866	GASKET SET Intake Manifold	132	0	879867	GASKET	38	18
879884T	FILTER ASSEMBLY Fuel	32	9	879884T	FILTER ASSEMBLY Fuel	148	-
879884T	FILTER ASSEMBLY Fuel	148	-	879884T	FILTER ASSEMBLY Fuel	148	-
879885Q	FILTER Fuel In-Line	34	3	879887T	TFI SYSTEM	38	7
879962	CLIP Part of Electrical Harness	10	10	880093A03	TILLER HANDLE CONVERSION KIT 40/50/60 HP EFI	8	-
880093A03	TILLER HANDLE CONVERSION KIT 40/50/60 HP EFI	18	-	880093A03	TILLER HANDLE CONVERSION KIT 40/50/60 HP EFI	26	-
880093A03	TILLER HANDLE CONVERSION KIT 40/50/60 HP EFI	88	-	880093A03	TILLER HANDLE CONVERSION KIT 40/50/60 HP EFI	134	-
880095A08	CONVERSION KIT Tiller Handle to Remote Control (40 Hp 4-Stroke)	134	-	880118A04	DDT CARTRIDGE	126	10
880184	DRIVESHAFT	142	14	880786	BOOT Insulator - Red	10	19
881059	SCREW	38	3	881060	SCREW	38	14
881070T	SENSOR Position	38	13	881872A1	BODY Oil Pressure Relief	50	21
881908T	CABLE SET	16	3	88238A13	CABLE ASSEMBLY Ground	86	12
88238A13	CABLE ASSEMBLY Ground	118	12	88238A18	CABLE ASSEMBLY	120	16
88238T01	CABLE ASSEMBLY	86	11	882751A1	RELAY ASSEMBLY	12	41
882751A1	RELAY ASSEMBLY	16	5	882813A3	GEAR KIT Forward And Pinion 28 Teeth	110	13
882813A3	GEAR KIT Forward And Pinion 28 Teeth	110	-	883005	BUSHING	18	12
883005	BUSHING	22	11	883006A1	ARM ASSEMBLY Throttle	18	11
883006A1	ARM ASSEMBLY Throttle	22	12	883047A1	BEARING ASSEMBLY Tapered Roller	104	17
8831482	RESTRICTOR	38	21	8831483	RESTRICTOR	38	21
883160	RETAINER	22	6	883213	GASKET Vapor Separator Bowl	132	0
883220	CAP	36	22	883323001	SPARK PLUG	10	7
883323001	SPARK PLUG	148	-	883323001	SPARK PLUG	148	-
883420	TOOL Sleeve (.625)	130	-	883460	CLIP	38	9
88348935	SCREW (M6 x 35)	42	9	88348935	SCREW (M6 x 35)	42	19
883597	O-RING KIT Injector	38	-	883598	O-RING KIT Injector	38	-
883599A02	GASKET SET	38	-	883599A02	GASKET SET	42	-
883599A02	GASKET SET	44	-	883599A02	GASKET SET	46	-
883599A02	GASKET SET	48	-	883599A02	GASKET SET	50	-
883599A02	GASKET SET	132	-	883834T01	CABLE ASSEMBLY Diode	10	23
883877A1	REMOVAL TOOL Fuel Injector	126	12	88439A4	CABLE ASSEMBLY Battery - Negative	12	34
88439A9	CABLE ASSEMBLY Battery - Positive	10	18	884563A00	SHIFT SHAFT ASSEMBLY	106	36
884565A00	SHIFT SHAFT ASSEMBLY	106	36	884565A00	SHIFT SHAFT ASSEMBLY	124	16
884565A00	SHIFT SHAFT ASSEMBLY	140	19	885342002	SENSOR ASSEMBLY	38	16
88552514	SCREW (M6 x 14 MM) Stainless Steel	8	23	88552514	SCREW (M6 x 14 MM) Stainless Steel	70	17
88552525	SCREW (M6 x 25 MM) Stainless Steel	16	12	88552530	SCREW (M6 x 30 MM) Stainless Steel	72	45
88552535	SCREW (M6 x 35 MM) Stainless Steel	32	23	88552535	SCREW (M6 x 35 MM) Stainless Steel	82	53
88552630	SCREW (M8 x 30)	70	4	887978	GASKET	42	16
887978	GASKET Thermostat	132	0	887978	GASKET	148	-
887978	GASKET	148	-	887978	GASKET	148	-
888804	PROPELLER SHAFT	110	17	888805A00	REPAIR KIT Clutch And Cam Follower	110	-
888805T	CLUTCH	110	16	888806	ROD Clutch Actuator	110	5
888819002	DRAIN Cowl	8	17	888823001	SHIFT DETENT ASSEMBLY	28	14
888823001	SHIFT DETENT ASSEMBLY	30	14	888832	WASHER	28	7
888832	WASHER	30	7	888988023	CLAMP	32	7
888988023	CLAMP	36	6	888988023	CLAMP	36	28
888988023	CLAMP	36	38	889246A37	CONVERSION KIT Tiller Handle - Electric Remote Control to Electric Handle	76	-
889246A37	CONVERSION KIT Tiller Handle - Electric Remote Control to Electric Handle	80	-	889246A37	CONVERSION KIT Tiller Handle - Electric Remote Control to Electric Handle	134	-
889246A72	ANODE KIT	114	31	889246A95	BEARING ASSEMBLY Roller	100	4
889246A96	SHIFT SHAFT ASSEMBLY	96	16	889246T99	PAN	8	7
889567	PLUG (.500-14)	42	4	889575	SENSOR ASSEMBLY	42	21
88960845	SCREW (M8 x 45)	94	4	889622A01	TOOL Timkin Cup	130	-
889990T	GEAR Reverse	110	19	890451	ADAPTER TOOL Direct Voltage	126	7
891637	BUSHING	96	39	891637	BUSHING	106	42
892073002	SHOULDER SCREW (M6)	8	4	892086120	SCREW (M10 x 120)	86	13
892123002	INJECTOR	38	8	892263	BUSHING	26	11
892263	BUSHING	28	11	892263	BUSHING	30	11

# PARTS INDEX

Part No.	Description	Pg.	Ref.no	Part No.	Description	Pg.	Ref.no
892267503	HOSE	36	10	892267504	HOSE	36	9
892267506	SCREW Drain	36	2	892267510	ISOLATOR	36	15
892267511	WASHER	36	8	892267512	SCREEN	36	26
892267513	O-RING	36	25	892267515	SCREW (M5 x 18)	36	27
892267516	HOSE	36	34	892267517	CLIP	36	33
892267519	COVER	36	18	892267520	PLATE	36	29
892267521	INSULATOR	36	14	892267523	INSULATOR	36	16
892267527	FLOAT	36	31	892267528	PIN Float	36	32
892267529	SCREW (M4 x 8)	36	30	892267530	O-RING	36	3
892267531	SCREW (M4 x 16)	36	21	892267534	STRAINER Fuel	36	17
892267535	CONNECTOR Electrical	36	20	892267A50	REGULATOR KIT Pressure	36	24
892267A51	PUMP KIT Fuel Also includes cover to body o ring 25-892267530	36	13	892267A52	FLOAT VALVE KIT	36	23
892267A54	BODY ASSEMBLY	36	1	892267A55	COOLER ASSEMBLY Fuel	36	5
892267T03	VAPOR SEPARATOR ASSEMBLY	36	-	892267T57	COVER ASSEMBLY	36	19
892286	CAP	94	12	892319001	GASKET	42	10
892319001	GASKET Cylinder Block	132	0	892320001	GASKET	50	14
892320001	GASKET Adaptor Plate	132	0	892647A01	MULTI-METER KIT DMT	126	8
892995	LOCK Throttle	76	15	89302	WASHER (.203 x .406 x .040)	4	7
89302	WASHER (.203 x .406 x .040)	88	21	893502T02	CYLINDER BLOCK ASSEMBLY	42	1
893505T05	CYLINDER HEAD ASSEMBLY Complete	40	-	893505T05	CYLINDER HEAD ASSEMBLY Complete	44	-
893505T05	CYLINDER HEAD ASSEMBLY Complete	46	-	893505T06	CYLINDER HEAD ASSEMBLY Basic	44	1
893521	ATTENUATOR	38	19	893524T08	PISTON ASSEMBLY Standard	48	9
893525A01	RING SET Piston	48	10	893525A02	RING SET Piston	48	10
893525A03	RING SET Ring	48	10	893529	RETAINER Piston Pin	48	14
893530T01	CONNECTING ROD ASSEMBLY	48	6	893541082	SCREW (M8 X 1.25)	42	8
893549	SEAL Oil	44	5	893552	SPRING	40	4
893553	RETAINER	40	5	893554	KEY	40	6
893560	BRACKET	40	12	893561	BRACKET	40	13
893562	SPRING	40	14	893563	SPRING Overload	40	18
893565	CAMSHAFT	46	1	893590T04	SWIVEL TUBE	86	10
893630	BEARING Brown	48	8	893630001	BEARING Black	48	8
893630002	BEARING Blue	48	8	893631	BEARING Main - Brown	42	6
893631001	BEARING Main - Black	42	6	893631002	BEARING Main - Blue	42	6
893640T01	REGULATOR Voltage	10	27	893645	GASKET	40	16
893655T	MOUNT Upper	86	3	893678T03	POWERHEAD ASSEMBLY	12	-
893678T03	POWERHEAD ASSEMBLY	42	-	893678T03	POWERHEAD ASSEMBLY	44	-
893678T03	POWERHEAD ASSEMBLY	48	-	893680T06	GEAR HOUSING ASSEMBLY Basic	96	1
893680T06	GEAR HOUSING ASSEMBLY Basic	100	1	893694T02	COVER ASSEMBLY	44	8
893696	BRACKET Ride-Guide	86	23	893697	LIFTING EYE	42	23
893700	BAFFLE Oil Pick-up	50	20	893703	STRAP Lower Mount	86	14
893704T01	LEVER Tilt Lock	90	5	893762	WASHER (18 X 36 X 3)	14	9
893765	PLATE Top Oil Pickup	50	17	893771	BRACKET Connector	10	28
893772	BRACKET	32	20	893773002	STRAP Upper Mount	86	2
893774002	BRACKET	10	2	893775A01	LINK ASSEMBLY Throttle	18	15
893780A01	LINK ASSEMBLY Throttle	22	13	893789	NUT	14	8
893855	COUPLER	124	11	893855	COUPLER	140	16
893857	COUPLER	142	11	893863	PIN Piston	48	13
893888T	STARTER MOTOR ASSEMBLY Complete	12	32	893902A01	O-RING KIT	120	3
893907A02	MOTOR KIT	120	8	893912A02	FILTER KIT	120	14
893913A02	POPPET KIT	120	15	893917A01	REBUILD KIT O-Ring	118	3
893918A01	CYLINDER KIT	118	5	893919A01	SCREW/SEAL KIT	118	6
893922A01	O-RING KIT Tilt Overhaul	118	-	893924A01	VALVE KIT	118	10
893925A01	REPAIR KIT Velocity Valve	118	11	893929A01	VALVE KIT Relief	120	10
893933A01	ACCUMULATOR ASSEMBLY	118	7	893944A01	VAVLE KIT Trim Limit	120	6
893948	SEAL Oil	48	5	893948	SEAL Oil Crankshaft-Bottom	132	0
893949	SEAL Oil	48	4	893949	SEAL Oil Crankshaft-Top	132	0
89491_	KEY Switch Ignition (1A thru 2F Series)	138	3	895054	SCREW (M4 x 16 MM)	144	6
89531	RING Retaining	86	6	896699	O-RING (1.78 mm x .08 mm)	38	17
896895	NUT (M12)	86	1	897535005	SPRING Throttle Cam Return	20	3
897535005	SPRING Throttle Cam Return	24	3	897657055	SCREW (M6 x 55)	96	6

# PARTS INDEX

Part No.	Description	Pg.	Ref.no	Part No.	Description	Pg.	Ref.no
897716001	NUT Plastic-Key Switch	52	12	897716001	NUT Plastic-Key Switch	56	9
897716001	NUT Plastic-Key Switch	74	6	897716451	KEY SET Ignition (451) with Mercury Logo	52	13
897716451	KEY SET Ignition (451) with Mercury Logo	56	10	897716457	KEY SET Ignition (457) with Mercury Logo	52	13
897716457	KEY SET Ignition (457) with Mercury Logo	56	10	897716460	KEY SET Ignition (460) with Mercury Logo	52	13
897716460	KEY SET Ignition (460) with Mercury Logo	56	10	897716461	KEY SET Ignition (461) with Mercury Logo	52	13
897716461	KEY SET Ignition (461) with Mercury Logo	56	10	897716462	KEY SET Ignition (462) with Mercury Logo	52	13
897716462	KEY SET Ignition (462) with Mercury Logo	56	10	897716463	KEY SET Ignition (463) with Mercury Logo	52	13
897716463	KEY SET Ignition (463) with Mercury Logo	56	10	897716821	KEY SET Ignition (821) with Mercury Logo	52	13
897716821	KEY SET Ignition (821) with Mercury Logo	56	10	897716830	KEY SET Ignition (830) with Mercury Logo	52	13
897716830	KEY SET Ignition (830) with Mercury Logo	56	10	897716831	KEY SET Ignition (831) with Mercury Logo	52	13
897716831	KEY SET Ignition (831) with Mercury Logo	56	10	897716832	KEY SET Ignition (832) with Mercury Logo	52	13
897716832	KEY SET Ignition (832) with Mercury Logo	56	10	897716841	KEY SET Ignition (841) with Mercury Logo	52	13
897716841	KEY SET Ignition (841) with Mercury Logo	56	10	897716847	KEY SET Ignition (847) with Mercury Logo	52	13
897716847	KEY SET Ignition (847) with Mercury Logo	56	10	897716850	KEY SET Ignition (850) with Mercury Logo	52	13
897716850	KEY SET Ignition (850) with Mercury Logo	56	10	897716851	KEY SET Ignition (851) with Mercury Logo	52	13
897716851	KEY SET Ignition (851) with Mercury Logo	56	10	897716852	KEY SET Ignition (852) with Mercury Logo	52	13
897716852	KEY SET Ignition (852) with Mercury Logo	56	10	897716853	KEY SET Ignition (853) with Mercury Logo	52	13
897716853	KEY SET Ignition (853) with Mercury Logo	56	10	897716K01	SWITCH KIT Ignition (3 Position) With Keys	52	11
897716K01	SWITCH KIT Ignition (3 Position) With Keys	56	8	897716K01	SWITCH KIT Ignition (3 Position) With Keys	74	5
897936	WASHER	8	24	897936	WASHER	20	12
897936	WASHER	24	12	897937	WASHER	20	4
897937	WASHER	24	4	897940T01	HARNESS ASSEMBLY Fuse	10	8
897970A01	TUBE/SEAL KIT Water - Short	94	17	897971A01	TUBE/SEAL KIT Water - Long	94	17
897978A03	CABLE ASSEMBLY Throttle/Shift	80	19	897978K04	THROTTLE AND SHIFT KIT 40-60 EFI FourStroke (32.5 In. Shift, 36 In. Throttle)	134	-
897978T02	LED LIGHT AND SWITCH KIT	74	27	897978T02	LED LIGHT AND SWITCH KIT	134	-
898093	WASHER Wave	20	5	898093	WASHER Wave	24	5
898101382	BRACKET	114	23	898289T33	BRACKET	26	12
898289T33	BRACKET	80	12	898289T34	BRACKET	80	14
898289T35	SLIDE	80	5	898289T36	LEVER	80	13
898454	CLIP (19 mm)	16	14	898821A01	ROCKER ARM ASSEMBLY	40	7
898835	SCREW (M12 X1.75)	86	8	899041	LINK Shift	28	8
899041	LINK Shift	30	8	899042	ROLLER	28	6
899042	ROLLER	30	6	899044	LATCH	28	1
899044	LATCH	30	1	899070	FOLLOWER Cam	110	3
899145	CLIP Tie Strap	50	23	899203	DECAL On/Off/Start	52	16
899203	DECAL On/Off/Start	56	13	899984003	INSTALLATION MANUAL Big Tiller, Manual	72	-
8M0000332	COUPLING Short	116	1	8M0000578	SCREW Adjustment	38	12
8M0000586	SCREW (M8 x 35)	90	17	8M0000839	NUT (M4) Nylon Insert	80	28
8M0001157	PIN Bow Tie Clip	20	8	8M0001157	PIN Bow Tie Clip	24	8
8M0001157	PIN Bow Tie Clip	26	4	8M0001157	PIN Bow Tie Clip	28	5
8M0001157	PIN Bow Tie Clip	30	5	8M0001338	FACE PLATE	116	4
8M0001537	GROMMET	80	23	8M0005743	ROD ACTUATOR	100	7
8M0005777	WASHER	96	32	8M0005777	WASHER	116	5
8M0005777	WASHER	148	-	8M0005914	ROD Shift	26	8
8M0005914	ROD Shift	80	1	8M0006021	LINK ASSEMBLY Throttle	20	1
8M0006021	LINK ASSEMBLY Throttle	24	1	8M0006054	RETAINER	8	22
8M0006055	BRACKET Rear Latch	4	4	8M0006060	SEAL	8	20
8M0006062	LINK	8	21	8M0006845	PLATE/DISC ASSEMBLY Brake	64	11
8M0006845	PLATE/DISC ASSEMBLY Brake	66	11	8M0006845	PLATE/DISC ASSEMBLY Brake	68	11
8M0006845	PLATE/DISC ASSEMBLY Brake	74	18	8M0006845	PLATE/DISC ASSEMBLY Brake	88	14
8M0007035	SPACER (1.49 x 22 x 24)	22	16	8M0007119	SEAL Drain Plug	94	7
8M0007119	SEAL Drain Plug	148	-	8M0007119	SEAL Drain Plug	148	-
8M0007119	SEAL Drain Plug	148	-	8M0007151	LINK Shift	26	10
8M0007243	BRACKET	28	3	8M0007243	BRACKET	30	3
8M0007469	KNOB Tilt	90	32	8M0007470	KNOB	90	9
8M0007471	PLATE Swivel Head	64	10	8M0007471	PLATE Swivel Head	66	10
8M0007471	PLATE Swivel Head	68	10	8M0007471	PLATE Swivel Head	74	20
8M0007471	PLATE Swivel Head	82	43	8M0007471	PLATE Swivel Head	88	15
8M0007495	RETAINER	38	26	8M0008243	COVER Thermostat	42	18
8M0008317	FOLLOWER Cam	20	10	8M0008317	FOLLOWER Cam	24	10



# PARTS INDEX

Part No.	Description	Pg.	Ref.no	Part No.	Description	Pg.	Ref.no
8M0008708	O-RING	50	4	8M0009111	SCREW (M8 x 30)	114	22
8M0009400	CLIP	80	26	8M0009401	CLIP	80	25
8M0009820	TAB WASHER	76	36	8M0009820	TAB WASHER	86	24
8M0011870	SEAL	44	7	8M0011870	SEAL Cylinder Head	132	0
8M0012388	DECAL Rear, 40	6	22	8M0012389	DECAL Rear - 50	6	24
8M0012390	DECAL Rear - 60	6	26	8M0012661	SCREW	44	23
8M0020425	PIN	80	4	8M0021044	BOWL	146	3
8M0021265	SWITCH ASSEMBLY	80	16	8M0021330	PLUG (M18)	50	22
8M0021519	SHOULDER SCREW (10 x 20)	76	35	8M0021535	BUSHING	70	14
8M0021603	CAM Throttle	20	7	8M0021603	CAM Throttle	24	7
8M0021770	STRAINER Water	42	20	8M0021912	GROMMET	8	25
8M0021914	PIN (.125 x 30 mm)	90	10	8M0021917	PLUG	50	27
8M0022037	GROMMET	70	10	8M0022105	FITTING ASSEMBLY Fuel	32	12
8M0022107	FITTING	36	39	8M0022218	CLAMP	32	18
8M0022324	SCREW (M6 x 25 MM)	8	3	8M0022331	SCREW Ratchet	32	19
8M0022456	SHOCK ROD KIT	120	1	8M0022500	FITTING Reducer	32	17
8M0022764	DOWEL PIN	70	15	8M0022826	BUSHING	70	37
8M0024573	WASHER	70	9	8M0025696	GROMMET	8	16
8M0026034	TOOL KIT	130	71	8M0026035	SEAL	8	6
8M0026068	PIN ASSEMBLY Tilt Lock	90	20	8M0026161	LINK ROD	86	17
8M0026249	DIPSTICK TUBE ASSEMBLY Plastic	50	3	8M0026326	DEFLECTOR Cowl	44	22
8M0027443	PILLOW BLOCK	72	43	8M0028230	RETAINER	72	63
8M0028294	BUSHING	72	44	8M0028305	PIN	72	41
8M0028323	RETAINER	72	50	8M0028540	SHIM (.005)	72	42
8M0028541	SHIM (.010)	72	42	8M0028542	SHIM (.020)	72	42
8M0028543	SHIM (.040)	72	42	8M0028682	GROMMET	82	52
8M0029029	DECAL Throttle	70	33	8M0029030	DECAL R-N-F	70	34
8M0030401	CAP Handle Trim Switch	70	12	8M0030401	CAP Handle Trim Switch	74	8
8M0031370	BUSHING	62	25	8M0031370	BUSHING	70	24
8M0031550	SCREW (M4 x 0.7 x 16)	72	48	8M0032129	SLIDE Shift	26	1
8M0032728	DECAL Lanyard, Black	70	-	8M0032728	DECAL Lanyard, Black	76	-
8M0032831	KEY Impeller	96	31	8M0032831	KEY Impeller	116	8
8M0032831	KEY Impeller	148	-	8M0032833	KEY	104	32
8M0032846	RETAINER Brass	74	3	8M0033313	DECAL On-Off-Start	70	32
8M0034107	NUT	70	8	8M0034273	BRACKET	82	54
8M0034425	STUD (M10 x 120)	142	4	8M0034456	STUD (M8 X 1.25 X 48)	110	28
8M0034456	STUD (M8 X 1.25 X 48)	114	6	8M0034462	STUD (M10 x 190)	140	4
8M0034874	SCREW (M3 x 0.5)	54	22	8M0034874	SCREW (M3 x 0.5)	56	19
8M0034874	SCREW (M3 x 0.5)	72	52	8M0034875	NUT (M3 x 0.5 Hex)	54	24
8M0034875	NUT (M3 x 0.5 Hex)	58	21	8M0034875	NUT (M3 x 0.5 Hex)	72	53
8M0035136	BUSHING	70	19	8M0037159	ROLLER	20	11
8M0037159	ROLLER	24	11	8M0041938	TILT TUBE	90	22
8M0042300	SWITCH Trim	8	9	8M0042636	NUT (.375-24) Brass	64	15
8M0042636	NUT (.375-24) Brass	66	15	8M0042636	NUT (.375-24) Brass	68	15
8M0042636	NUT (.375-24) Brass	86	21	8M0042643	WASHER (.520 x .850 x .060) Nylon, Black	90	30
8M0043364	BUMPER	94	13	8M0043701	M-ICON 39MM - Small	6	10
8M0043702	DECAL M-Icon, 53mm Black	6	14	8M0043707	DECAL M-Icon, 53mm Red	6	20
8M0044744	TAB WASHER	70	28	8M0044991	IGNITION COIL Ignition Dual Output	16	2
8M0044994	COIL PLATE	16	1	8M0045270	COVER	10	22
8M0045278	HEAD GASKET Cylinder Head	132	0	8M0045301	GROMMET	70	20
8M0046458	LINE Fuel	34	5	8M0049884	BOLT	48	7
8M0050720	GASKET	104	23	8M0051399	STOPPER	62	23
8M0052940	SWITCH ASSEMBLY	26	14	8M0054213	HOSE Cut to 9 Inches	36	4
8M0055011	POWER TRIM KIT	120	-	8M0055016	CYLINDER ASEMBLY KIT	120	5
8M0055018	MANIFOLD KIT	120	11	8M0055019	POWER TRIM PUMP KIT	120	7
8M0055044	HARNES Tachometer, V 6.0	144	13	8M0055643	DECAL Read Manual	6	11
8M0057775	PISTON ASSEMBLY	48	9	8M0057776	PISTON ASSEMBLY	48	9
8M0058389	SCREW KIT Drain	96	2	8M0058389	SCREW KIT Drain	104	4
8M0063262	SHIM SET	96	22	8M0063262	SHIM SET	142	15
8M0063264	SHIM SET	100	22	8M0063265	SHIM SET	104	18
8M0063266	SHIM SET	110	10	8M0063345	DECAL Lenz	6	7

# PARTS INDEX

Part No.	Description	Pg.	Ref.no	Part No.	Description	Pg.	Ref.no
8M0063348	DECAL Rear, 40	6	3	8M0063348	DECAL Rear, 40	6	17
8M0063349	DECAL Rear - 50	6	4	8M0063350	DECAL Rear - 60	6	5
8M0063350	DECAL Rear - 60	6	18	8M0063354	DECAL Jet Drive	6	13
8M0063358	DECAL Lenz	6	8	8M0063659	OPERATION MANUAL Big Tiller -Manual, Mechanical and DTS	72	-
8M0065029	VALVE Exhaust	40	1	8M0065104	FILTER Oil	42	11
8M0065179	TIMING BELT	14	14	8M0071815	BOLT Shoulder, Throttle Lever	20	6
8M0071815	BOLT Shoulder, Throttle Lever	24	6	8M0075211	DETENT/SPRING KIT	26	2
8M0082354	CABLE KIT - THROTTLE AND SHIFT 40-60	74	26	8M0082833	SCREW M6 x 13 stainless steel	32	21
8M0082988	SENSOR Crankshaft Position	10	25	8M0083437	CONTROL KIT Trolling	74	25
8M0084243	PIN Cross	110	6	8M0084244	PIN Dowel	96	4
8M0084244	PIN Dowel Front	104	2	8M0084244	PIN Dowel	124	2
8M0084244	PIN Dowel	140	2	8M0084244	PIN Dowel	142	3
8M0084245	PIN Spring Locator Spring Locator	110	7	8M0084613	C-WASHER	90	42
8M0084613	C-WASHER	144	9	8M0084682	PIN Spring	100	8
8M0085515	SCREW (#8 - 32 x .375)	60	14	8M0085515	SCREW (#8 - 32 x .375) Not included in Gear Plate Assembly	72	54
8M0085515	SCREW (#8 - 32 x .375)	72	62	8M0085874	SCREW	12	40
8M0086290	CONNECTOR Barb	146	6	8M0086325	GEAR HOUSING ASSEMBLY Complete	96	-
8M0086325	GEAR HOUSING ASSEMBLY Complete	100	-	8M0086956	LINE Fuel	34	2
8M0088310	DECAL Command Thrust	6	9	8M0089947	O-RING KIT Power Trim	120	-
8M0090558	SERVICE KIT 40-60HP 4S (100 Hour)	148	-	8M0090559	SERVICE KIT 40-60HP 4S (300 Hour) BigFoot/Command Thrust Gearcase Only	148	-
8M0091340	SPRING / PIN KIT	100	27	8M0091612	SHIFT SHAFT Upper - Long	26	17
8M0091612	SHIFT SHAFT Upper - Long	28	12	8M0091612	SHIFT SHAFT Upper - Long	30	12
8M0092851	LANYARD CORD ASSEMBLY 70 inch	74	4	8M0095037	TACHOMETER KIT 7 K -Helm Mount (Black)	144	-
8M0095674	BASE ASSEMBLY Fuel Filter	146	1	8M0097226	TACHOMETER KIT Helm Mount	144	12
8M0097838	FUEL FILTER KIT	146	-	8M0098207	SWITCH Oil Pressure	12	31
8M0098264	TRIM SENDER KIT Natural	88	18	8M0098299	DECAL SET MA 40EFI 4CYL 4S	6	21
8M0098300	DECAL SET MA 50EFI 4CYL 4S	6	23	8M0098301	DECAL SET MA 60EFI 4CYL 4S	6	25
8M0098898	RELAY	12	39	8M0099412	GAUGE HOUSING	144	3
8M0100526	REPAIR KIT Water Pump	106	-	8M0100527	REPAIR KIT Water Pump	148	-
8M0103095	FILTER Fuel-Water Separating (11/16-16 Thread)	146	4	8M0103805	SCREW (M6 x 16MM) Stainless Steel	4	3
8M0103806	SCREW (M6 x 20 MM) Stainless Steel	8	11	8M0103807	SCREW (M6 x 25 MM) Stainless Steel	8	14
8M0104733	TACHOMETER KIT Transom Mount	144	1	8M0105187	DECAL Tiller Handle	6	12
8M0105255	DECAL Maintenance Schedule	14	19	8M0105570	SERVICE MANUAL 40/50/60 40 Jet EFI 4 Stroke	2	-
8M0106686	SNUBBER	86	28	8M0106792	SNUBBER	86	30
8M0107175	BRACE	10	14	8M0107467	DECAL SET ME 40-60HP 4S 4CYL	6	1
8M0107997	DECAL Maintenance Schedule EFI REC	14	18	8M0108349	HOSE (70 Inches Bulk) To Vapor Separator Tank Cooler - Cut to 31 Inches	32	4
8M0108349	HOSE (70 Inches Bulk) To Telltale - Cut to 6 Inches	32	6	8M0108349	HOSE (70 Inches Bulk) Cut to 10 Inches - To VST Cooler	42	26
8M0108355	HOSE (57 Inches Bulk) To Vapor Separator Cover - Cut to 18 Inches	32	5	8M0108355	HOSE (57 Inches Bulk) Cut to 8 Inches	32	8
8M0108355	HOSE (57 Inches Bulk) Cut to 34 Inches	32	11	8M0108355	HOSE (57 Inches Bulk) Cut to 31.50 Inches	32	11
8M0108355	HOSE (57 Inches Bulk) Cut to 17 Inches	50	25	8M0108769	CLIP	16	16
8M0109251	DECAL Lenz, Mariner	6	27	8M0109278	SEAL	4	10
8M0109650	WASHER (.33 X .56 X .06)	90	18	8M0109675	WASHER (.516 X 1.5 X .12)	90	25
8M0109680	WASHER (.39 X .546 X .12)	86	19	8M0109684	SEAL Water Tube, Upper	94	18
8M0109700	COUPLER Water Tube	104	31	8M0109708	COUPLING Water Tube	96	38
8M0109713	BOOT Idle Exhaust	8	5	8M0109720	TRIM SENDER F2 DIGITAL KIT	134	-
8M0110160	WASHER (22 X 11 X 3.4)	86	29	8M0113262	COVER ASSEMBLY Water Pump	104	22
8M0113483	SERVICE KIT 40-60HP 4S (300 Hour) Standard Gearcase Only	148	-	8M0113740	HOSE ASSEMBLY Breather	38	22
8M0113801	REPAIR KIT Water Pump	106	-	8M0116793	FUEL FILTER KIT	146	2
8M0117413	THERMOSTAT	42	15	8M0117413	THERMOSTAT	148	-
8M0117413	THERMOSTAT	148	-	8M0117413	THERMOSTAT	148	-
8M0118165	TOP COWL ASSEMBLY Mercury, Non Decaled	4	1	8M0118167	TOP COWL ASSEMBLY Mariner, Non Decaled	4	1
8M0118170	CAP Air Dam - Mercury	4	2	8M0118172	CAP Air Dam - Mariner	4	2
8M0118173	FLYWHEEL ASSEMBLY	14	3	8M0118175	CYLINDER HEAD ASSEMBLY Complete	40	-
8M0118175	CYLINDER HEAD ASSEMBLY Complete	44	-	8M0118175	CYLINDER HEAD ASSEMBLY Complete	46	-
8M0118177	PUMP ASSEMBLY Fuel	32	1	8M0118178	HOUSING Driveshaft- Long	94	1
8M0118179	HEAD GASKET	44	13	8M0118181	DECAL SET Mercury, SeaPro	6	16



# PARTS INDEX

Part No.	Description	Pg.	Ref.no	Part No.	Description	Pg.	Ref.no
8M0118182	ADAPTER PLATE ASSEMBLY	50	1	8M0118183	ARM Steering	86	7
8M0118185	PLATE	10	11	8M0118186	GEAR HOUSING ASSEMBLY (Long)	104	-
8M0118186	GEAR HOUSING ASSEMBLY (Long)	110	-	8M0118187	GEAR HOUSING ASSEMBLY (LL Long)	104	-
8M0118187	GEAR HOUSING ASSEMBLY (LL Long)	110	-	8M0118188	GEAR HOUSING ASSEMBLY (X Long)	104	-
8M0118188	GEAR HOUSING ASSEMBLY (X Long)	110	-	8M0118189	DRIVESHAFT ASSEMBLY LL	104	19
8M0118190	SHIFT SHAFT ASSEMBLY Lower, LL	106	36	8M0118192	HARNESS ASSEMBLY Engine, 4 Cyl	10	20
8M0118194	COVER Exhaust	42	13	8M0118485	OPERATION MANUAL 40/50/60 4 Stroke	2	-
8M0118486	OPERATION MANUAL 40/50/60 CT 4 Stroke	2	-	8M0118487	OPERATION MANUAL 40 Jet 4 Stroke	2	-
8M0118535	DECAL SET Mercury 40 Pro	6	19	8M0118571	MANUAL TRIM ASSEMBLY	118	-
8M0118573	SHOCK ROD KIT	118	1	8M0118574	VALVE BODY ASSEMBLY	118	8
8M0118575	CAM KIT	118	9	8M0118594	GEAR HOUSING ASSEMBLY Basic	104	1
8M0118594	GEAR HOUSING ASSEMBLY Basic	110	1	8M0118807	PARTS MANUAL 35-40 Jet/40/50/60 EFI SeaPro - 4 Stroke 4 Cylinder	2	-
8M0119522	CYLINDER HEAD ASSEMBLY Basic	44	1	8M0120417	ECM Engine Control Module - 60 HP 4 Cyl SeaPro	10	5
8M0120418	ECM Engine Control Module - 40 HP 4 Cyl SeaPro	10	5	8M0120419	ECM Engine Control Module - 60 HP 4 Cyl	10	5
8M0120421	ECM Engine Control Module - 50 HP 4 Cyl	10	5	8M0120422	ECM Engine Control Module - 40 HP 4 Cyl	10	5
8M0120423	ECM Engine Control Module - 40 HP 4 Cyl Jet	10	5	8M0124318	O-RING 7.94 x 1.78	36	40
8M0124369	LANYARD ASSEMBLY 54 in	64	2	8M0124369	LANYARD ASSEMBLY 54 in	66	2
8M0124369	LANYARD ASSEMBLY 54 in	68	2	8M0127334	POPPET SEAL KIT	120	-
8M0136052	SCREW	62	11	8M0136054	BOLT	62	18
8M0136057	NUT Cap	62	12	8M0136060	E RING	62	19
8M0138447	CLIP Lanyard Fork, Spare	54	20	8M0138447	CLIP Lanyard Fork, Spare	56	17
8M0144930	ALARM ASSEMBLY Audio Warning	54	21	8M0144930	ALARM ASSEMBLY Audio Warning	56	18
8M0149607	FUEL FILTER KIT	32	10	8M0153652	FUEL FILTER High Pressure	148	-
8M0153652	FUEL FILTER High Pressure	148	-	8M0153652	FUEL FILTER High Pressure	148	-
8M0154663	DECAL Rear, 35	6	6	8M0156747	DECAL SET ME 30-60 HP 4S	6	2
8M0158047	DISPLAY With Troll Control	52	6	8M0158048	GRIP ASSEMBLY Heated	84	1
8M0158400	HEATED GRIP KIT	84	-	8M0159886	DECAL Lenz, Mercury	6	15
8M0161064	PIPE Exhaust	94	2	8M0161094	CHASSIS Tiller	60	1
8M0161095	COVER Tiller Handle	52	1	8M0161096	BRACKET Rear Assembly with Tilt Lock	62	1
8M0161097	BRACKET Lower	62	17	8M0161098	CLAMP Toe	62	15
8M0161099	BUSHING Bearing	62	4	8M0161100	BUSHING	62	24
8M0161101	SCREW M10 X 1.5 HEX HD S.S	62	21	8M0161102	SCREW Adjustment	62	22
8M0161103	LEVER Tilt	62	3	8M0161104	SCREW M4X0.7X12, SOC FLAT HD	60	11
8M0161104	SCREW M4X0.7X12, SOC FLAT HD	62	2	8M0161105	SHIFT HANDLE ASSEMBLY	60	5
8M0161106	SCREW	60	3	8M0161107	COVER Shift Handle	60	2
8M0161108	SHIFT LEVER	60	16	8M0161109	BRACKET Shift Mounting	60	12
8M0161110	FLANGE BUSHING	60	6	8M0161111	FLANGE BUSHING	60	15
8M0161112	BRACKET Shift Mounting	60	24	8M0161113	SCREW M6X1.0X10	60	13
8M0161114	DETENT ASSEMBLY	60	18	8M0161115	BRACKET HARNESS	60	35
8M0161116	NEUTRAL SWITCH	54	23	8M0161116	NEUTRAL SWITCH	58	20
8M0161118	CLIP Cable Tie	52	9	8M0161118	CLIP Cable Tie	56	6
8M0161119	TRIM SWITCH ASSEMBLY	54	26	8M0161119	TRIM SWITCH ASSEMBLY	58	23
8M0161120	SWITCH LANYARD ASSEMBLY	52	17	8M0161120	SWITCH LANYARD ASSEMBLY	56	14
8M0161121	HARNESS ASSEMBLY	52	8	8M0161121	HARNESS ASSEMBLY	56	5
8M0161124	BEZEL Power Trim Switch	60	10	8M0161125	CLAMP	60	32
8M0161126	THROTTLE TUBE	60	7	8M0161127	PIN Split Lock	60	40
8M0161128	PIN Clevis	60	34	8M0161129	THROTTLE SHAFT	60	41
8M0161130	THROTTLE BRACKET	60	33	8M0161131	FRICTION CLAMP	60	23
8M0161132	PILLOW SUPPORT	60	39	8M0161133	BUSHING	60	38
8M0161134	WASHER	60	36	8M0161135	SCREW M4x16	60	37
8M0161136	COTTER PIN	60	27	8M0161137	FRICTION KNOB	60	25
8M0161138	DECAL Throttle Friction	60	26	8M0161139	THROTTLE GEAR ASSEMBLY	60	31
8M0161140	DECAL Tiller Handle	52	2	8M0161140	DECAL Tiller Handle	56	2
8M0161141	SCREW M4x0.7x6.0	52	5	8M0161141	SCREW M4x0.7x6.0	56	4
8M0161142	PLUG Heated Grip Button	52	4	8M0161143	CAP Key	52	15
8M0161143	CAP Key	56	12	8M0161144	COVER Tiller Handle (SeaPro)	56	1
8M0161145	BEZEL No Power Trim Switch	60	10	8M0161146	HEATED GRIP BUTTON	84	2
8M0161148	SHIFT AND THROTTLE CABLE KIT 35-60 Standard	64	1	8M0161148	SHIFT AND THROTTLE CABLE KIT 35-60 Standard	66	1
8M0161149	SHIFT AND THROTTLE CABLE KIT 35-60 Jet	68	1	8M0161154	SCREW M10 X 1.5	64	3

# PARTS INDEX

Part No.	Description	Pg.	Ref.no	Part No.	Description	Pg.	Ref.no
8M0161154	SCREW M10 X 1.5	66	3	8M0161154	SCREW M10 X 1.5	68	3
8M0161155	TAB WASHER	64	5	8M0161155	TAB WASHER	66	5
8M0161155	TAB WASHER	68	5	8M0161156	TAB WASHER	64	4
8M0161156	TAB WASHER	66	4	8M0161156	TAB WASHER	68	4
8M0161160	GROMMET	64	16	8M0161160	GROMMET	66	16
8M0161160	GROMMET	68	16	8M0161161	FUEL HOSE QUICK DISCONNECT KIT	66	17
8M0161162	Fitting Male	66	19	8M0161163	Fitting Female	66	20
8M0161258	PINION	60	30	8M0161293	GASKET Heated Grip Button	52	3
8M0161295	DECAL Spare Clip	54	19	8M0161295	DECAL Spare Clip	56	16
8M0161296	DECAL Attach Lanyard	52	18	8M0161296	DECAL Attach Lanyard	56	15
8M0161363	DISPLAY No Troll Control	56	3	8M0161683	DENT CAM Tilt	62	5
8M0161684	LOCKING TAB	62	6	8M0161685	SPRING Compression	62	9
8M0161686	TILT SHAFT	62	8	8M0161687	GROOVED PIN	62	7
8M0162829	FILTER Oil	148	-	8M0162829	FILTER Oil	148	-
8M0162829	FILTER Oil	148	-	8M0166001	GRIP ASSEMBLY	60	-
8M0168148	ECM Engine Control Module - 35 HP 4 cyl Jet	10	5	8M2014338	SEAL Face	106	35
8M2014338	SEAL Face	140	13	8M2100452	HARNNESS Data Extension 10 Pin	144	2
8M3001068	ALARM ASSEMBLY Audio Warning	74	11	8M4501323	BLOCK Friction	72	47
8M4501430	TUBE Water	124	12	8M4501430	TUBE Water	140	15
8M4501716	HOOK	8	10	8M4502035	GROMMET	8	12
8M4502052	GASKET Lower Lower	96	34	8M4502052	GASKET Lower	116	6
8M4502052	GASKET Lower	142	22	8M4502052	GASKET Lower	148	-
8M4503518	SCREW (M6 X 1.0 X 20)	18	7	8M4503518	SCREW (M6 X 1.0 X 20)	44	14
8M4503518	SCREW (M6 X 1.0 X 20)	50	16	8M4503628	PLATE Driveshaft Housing	94	20
8M6001733	CLIP - RELAY, DOUBLE NAIL	10	16	90196	O-RING (.921 x .139)	44	18
90196	O-RING (.921 x .139) Oil Plug	132	0	903501	STUD (M10 x 100)	94	14
9035015	STUD (M10 x 227)	140	5	903502	STUD (M10 x 227)	124	5
903503	STUD (M10 x 190)	124	4	90468A1	COVER ASSEMBLY Key	138	11
91800	KEY Woodruff	48	2	932481	BUSHING	18	14
932481	BUSHING	20	9	932481	BUSHING	22	9
932481	BUSHING	24	9	93388A16	CABLE ASSEMBLY (8.50 Inches)	10	17
94330	NUT (.250-20) Brass	12	33	95084A2	CABLE ASSEMBLY	80	34
95084A2	CABLE ASSEMBLY	122	5	95812	LOCTITE 271 THREADLOCKER .5 ml	140	22
960099	SLEEVE (12.00 Inches)	76	7	96203	SPRING	76	16
98727	FITTING Grease	90	2	98889	LATCH	22	18
99379	TIMING LIGHT	126	6	99589003	GRIP	76	21
99604	PIN Groove	90	3	99611	WAVE WASHER	90	31
99622	SPRING	90	6	FT2997	COMPRESSOR TOOL Piston Ring	126	19
NSS	NOT SOLD SEPARATE DECAL, EPA (2009 & Up)	2	-	NSS	NOT SOLD SEPARATE Handle-Rear Latch	8	19
NSS	NOT SOLD SEPARATE Decal-Warning Spinning Flywheel	14	5	NSS	NOT SOLD SEPARATE Decal-Timing Marks	14	6
NSS	NOT SOLD SEPARATE Decal-Warning-Neutral	14	7	NSS	NOT SOLD SEPARATE Spring-Compression, Detent	26	3
NSS	NOT SOLD SEPARATE Screw	40	8	NSS	NOT SOLD SEPARATE Nut	40	9
NSS	NOT SOLD SEPARATE Plug	40	11	NSS	NOT SOLD SEPARATE	44	2
NSS	NOT SOLD SEPARATE Breather Pipe	44	9	NSS	NOT SOLD SEPARATE Baffle Plate	44	10
NSS	NOT SOLD SEPARATE Screw	44	11	NSS	NOT SOLD SEPARATE O Ring	46	6
NSS	NOT SOLD SEPARATE Piston Ring - Second	48	11	NSS	NOT SOLD SEPARATE Piston Ring - Second	48	11
NSS	NOT SOLD SEPARATE Piston Ring - Second	48	11	NSS	NOT SOLD SEPARATE Ring, Piston Oil	48	12
NSS	NOT SOLD SEPARATE Troll Assembly	52	7	NSS	NOT SOLD SEPARATE INNER GRIP	60	8
NSS	NOT SOLD SEPARATE OUTER GRIP	60	9	NSS	NOT SOLD SEPARATE STUD	60	17
NSS	NOT SOLD SEPARATE SPRING	60	19	NSS	NOT SOLD SEPARATE GUIDE	60	20
NSS	NOT SOLD SEPARATE ROLLER	60	21	NSS	NOT SOLD SEPARATE Throttle Shaft	72	46
NSS	NOT SOLD SEPARATE Case	76	3	NSS	NOT SOLD SEPARATE Spring	80	7
NSS	NOT SOLD SEPARATE	80	32	NSS	NOT SOLD SEPARATE Decal-Serial Overlaminat	88	6
NSS	NOT SOLD SEPARATE Filler Plate	96	9	NSS	NOT SOLD SEPARATE Cup	96	24
NSS	NOT SOLD SEPARATE Cup	100	5	NSS	NOT SOLD SEPARATE Decal-Gear Ratio	100	23
NSS	NOT SOLD SEPARATE PIN	100	28	NSS	NOT SOLD SEPARATE SPRING	100	29
NSS	NOT SOLD SEPARATE GUIDE, Spring	100	30	NSS	NOT SOLD SEPARATE Needle Bearing	104	11
NSS	NOT SOLD SEPARATE Pinion Gear - Part of Forward Gear Kit	104	15	NSS	NOT SOLD SEPARATE Ring-Seal	104	21
NSS	NOT SOLD SEPARATE TOOL, Face Seal Setting	106	NS	NSS	NOT SOLD SEPARATE Cup	110	12

# PARTS INDEX

Part No.	Description	Pg.	Ref.no	Part No.	Description	Pg.	Ref.no
NSS	NOT SOLD SEPARATE Decal-Gearcase Pinion Identification	110	31	NSS	NOT SOLD SEPARATE Jet Unit-Complete	114	-
NSS	NOT SOLD SEPARATE O Ring	118	4	NSS	NOT SOLD SEPARATE O Ring	120	4
NSS	NOT SOLD SEPARATE Switch	122	3	NSS	NOT SOLD SEPARATE Lock ring Pliers (P/N-SRP2)	126	13
NSS	NOT SOLD SEPARATE Valve Seat Cutter Kit	126	18	NSS	NOT SOLD SEPARATE Expanding Rod (P/N-CG-41-11)	128	27
NSS	NOT SOLD SEPARATE Collet (P/N-CG-41-14)	128	28	NSS	NOT SOLD SEPARATE Housing	138	1
NSS	NOT SOLD SEPARATE Key Switch Kit	138	2	NSS	NOT SOLD SEPARATE TOOL, Seal Kit Setting	140	NS
NSS	NOT SOLD SEPARATE TACHOMETER 7K - Black	144	4	NSS	NOT SOLD SEPARATE TACHOMETER 7K - Black	144	14