

**Parts Manual**

**Cat.# 90-8M0087973**

**Revised 09-20-2020**

# TABLE OF CONTENTS

Cat.# 90-8M0087973

Service/Support Material .....	1
Top Cowl .....	3
Decals-Top Cowl .....	5
Lower Cowl .....	7
Flywheel and Cover .....	9
Electrical .....	11
Starter Motor/Oil Filter/Sensors .....	13
Ignition .....	15
Shift Linkage .....	17
Integrated Air Fuel Module .....	19
Integrated Air Fuel Module Components .....	21
Fuel Supply System-Hoses and Module .....	23
Fuel Supply Module 2B494018 and Below .....	25
Fuel Supply Module 2B494019 and Up .....	27
Water Separator Fuel Filter Kit Without WIF Sensor-SeaPro .....	29
Water Separating Fuel Filter Kit With WIF Sensor .....	31
Cooling .....	33
Cylinder Head and Camshaft Cover .....	35
Cylinder Head and Camshaft .....	37
Adapter Plate .....	41
Crankshaft, Pistons and Connecting Rods .....	43
Cylinder Block .....	45
Oil Sump .....	47
Exhaust Manifold .....	49
Exhaust .....	51
Tiller Handle Cover and Electrical (Mid Mount SeaPro) .....	53
Tiller Handle Shift and Throttle Components (Mid Mount SeaPro) .....	57
Tiller Handle Rear Bracket Assembly (Mid Mount SeaPro) .....	59
Tiller Handle Kit Components (Mid Mount SeaPro) .....	61
Heated Grip .....	63
Swivel Bracket and Swivel Pin .....	65
Transom Bracket .....	67
Power Trim Assembly .....	69
Power Trim Assembly - Components .....	71
Driveshaft Housing .....	73
Gear Housing, Driveshaft 2.07:1 Standard Rotation .....	75
Gear Housing, Driveshaft 2.38:1 Standard/Counter Rotation .....	79
Gear Housing, Propeller Shaft 2.07:1 Standard Rotation .....	83

# TABLE OF CONTENTS

Gear Housing, Propeller Shaft 2.38:1 Standard Rotation.....	85
Gear Housing, Propeller Shaft 2.38:1 Counter Rotation.....	87
DriveShaft Housing Extension Kit Standard 2.07:1.....	91
DriveShaft Housing Extension Kit Command Thrust 2.38:1.....	93
Jet Pump and Components Jet.....	95
Accessories.....	97
Tachometer Kits Transom and Helm Mount.....	99
Maintenance Kits.....	101





Cat.# 90-8M0087973

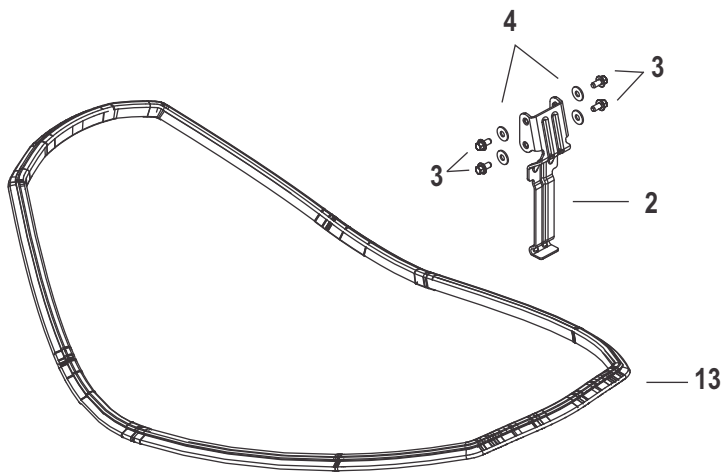
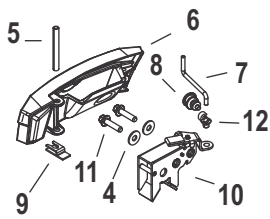
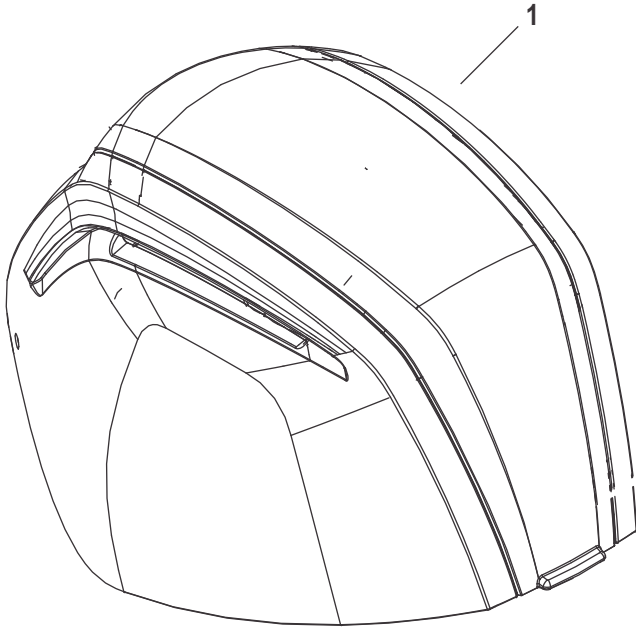
## Service/Support Material

Ref #	Part Class	Part Number	Description	Comments	Qty	Note
-	0090	8M0087844	OPERATION MANUAL 75-115 EFI FourStroke, English		1	
-	0090	8M0095297	OPERATIONS MANUAL 75-115 4 Stroke SeaPro		1	
-	0090	8M0082471	SERVICE MANUAL 75/90/115 EFI 4S		1	
-	0090	8M0087973	PARTS MANUAL 75-115 4-Stroke		1	

---

Service/Support Material

Top Cowl

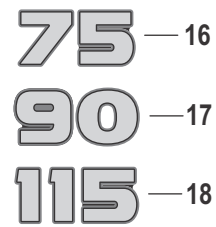
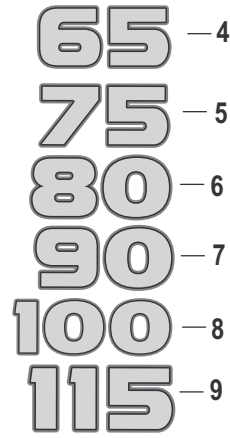
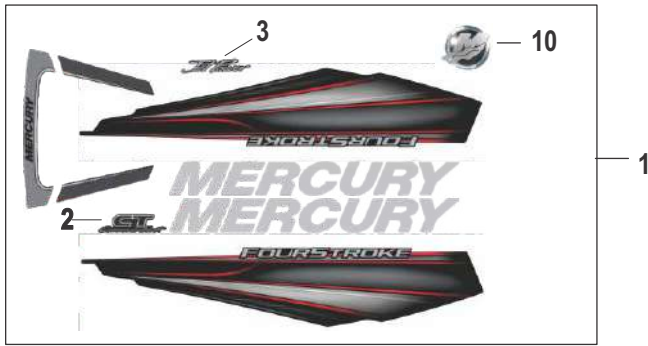


55117

## Top Cowl

Ref #	Part Class	Part Number	Description	Comments	Qty	Note
1	0100	8M0087994	TOP COWL ASSEMBLY Mercury Decaled	Horse Power, Command Thrust and Jet Decals not included [2B679489] & Below	1	
1	0100	8M0159539	TOP COWL ASSEMBLY Mercury Decaled	Horse Power, Command Thrust and Jet Decals not included [2B679490] & Up	1	
1		8M0090833	TOP COWL ASSEMBLY Mariner Decaled	Horse Power, Command Thrust and Jet Decals not included	1	
1	0100	8M0091789	TOP COWL ASSEMBLY Black, Non-Decaled		1	
1	0100	8M0087995	TOP COWL ASSEMBLY Gray, Non-Decaled		1	
1	0100	8M0096296	TOP COWL ASSEMBLY Mercury, SeaPro Decaled without Horsepower		1	
2	0000	8M0055166	HOOK Top Cowl Latch Front		1	
3	0010	88552512	SCREW (M6 x 12 MM) Stainless Steel		4	
4	0012	4002316	WASHER (6.60 X 17.0 X 1.5SS)		6	
5	0017	8M0075859	PIN - SPRING, Slotted		1	
6	0000	8M0055191	HANDLE, LATCH	MERCURY	1	
6	0000	8M0088853	HANDLE, LATCH	MARINER	1	
7	0000	8M0055189	LINK - LATCH Rear		1	
8	0000	8M0056980	SEAL Rear Latch		1	
9	0053	8M0075694	CLIP - SNAP		1	
10	0000	8M0055186	LATCH ASSEMBLY		1	
11	0010	88552525	SCREW (M6 x 25 MM) Stainless Steel		2	
12	0000	8M0006054	RETAINER		1	
13	0000	8M0087850	SEAL Top Cowl		1	

Decals-Top Cowl

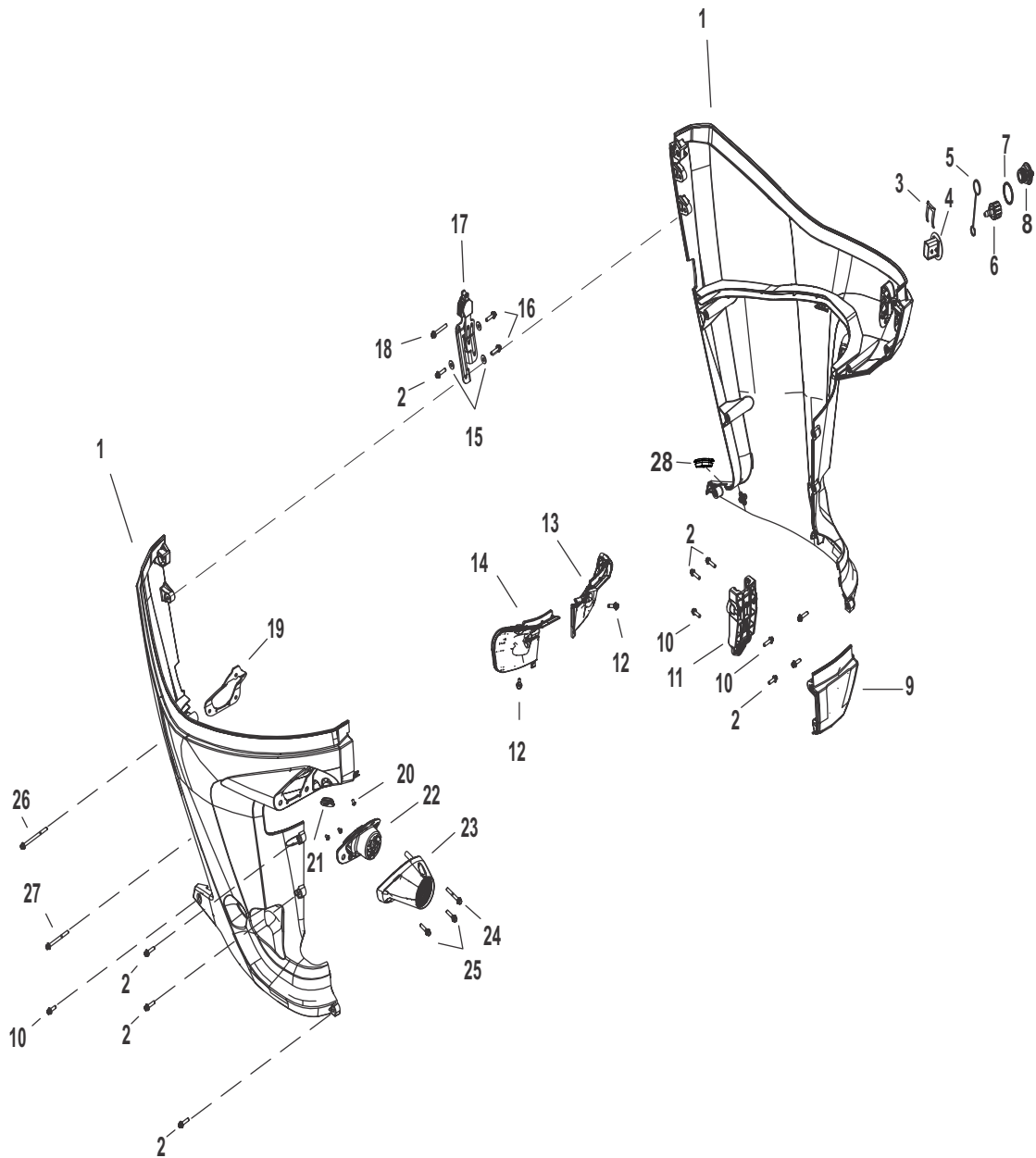


55886

## Decals-Top Cowl

Ref #	Part Class	Part Number	Description	Comments	Qty	Note
1	0037	8M0088056	DECAL SET - MERCURY	[2B679489] & Below	1	
2	0037	8M0088310	DECAL Command Thrust MERCURY		1	
3	0037	8M0073701	DECAL Jet Power MERCURY		1	
4	0037	8M0080470	DECAL Rear, 65 HP MERCURY		1	
5	0037	8M0080233	DECAL Rear, 75 HP MERCURY		1	
6	0037	8M0080234	DECAL Rear, 80 HP MERCURY		1	
7	0037	8M0080235	DECAL Rear, 90 HP MERCURY		1	
8	0037	8M0080236	DECAL Rear, 100 HP MERCURY		1	
9	0037	8M0080237	DECAL Rear, 115 HP MERCURY		1	
10	0037	8M0043705	DECAL M-Icon, 60 MM Black Cowl- Front, MERCURY		1	
11	0037	8M0080152	DECAL M-ICON, 29 mm Handle- Rear, MERCURY		1	
12	0037	8M0056643	DECAL Read Manual		1	
13	0037	8M0156748	DECAL SET Mercury 65-150 HP 4S	[2B679490] & Up	1	
14	0037	8M0159890	DECAL Lenz Mercury		1	
15	0037	8M0098614	DECAL SET SeaPro		1	
16	0037	8M0080233	DECAL Rear, 75 HP	SeaPro	1	
17	0037	8M0080235	DECAL Rear, 90 HP	SeaPro	1	
18	0037	8M0080237	DECAL Rear, 115 HP	SeaPro	1	
19	0037	8M0088057	DECAL SET MARINER		1	
20	0037	8M0088334	DECAL SET Port Starboard and Rear, 75 HP MARINER		1	
21	0037	8M0088335	DECAL SET Port Starboard and Rear, 80 HP MARINER		1	
22	0037	8M0088336	DECAL SET Port Starboard and Rear, 90 HP MARINER		1	
23	0037	8M0088337	DECAL SET Port Starboard and Rear, 100 HP MARINER		1	
24	0037	8M0088338	DECAL SET Port Starboard and Rear, 115 HP MARINER		1	

# Lower Cowl

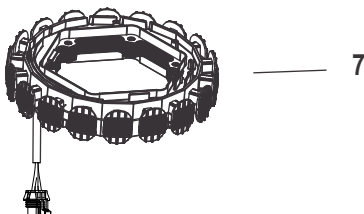
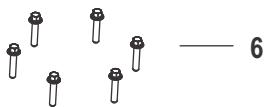
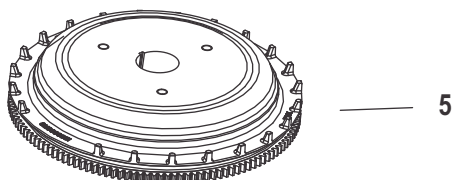
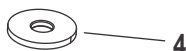
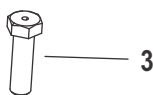
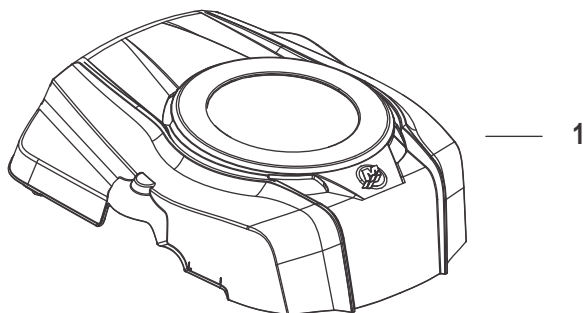


55118

## Lower Cowl

Ref #	Part Class	Part Number	Description	Comments	Qty	Note
1	0100	8M0088280	LOWER COWL ASSEMBLY Port and Starboard ( NON DECALED )		1	
2	0010	8M0022324	SCREW (M6 x 25 MM)		11	
3	0000	8M0032848	RETAINER Switch		1	
4	0087	8M0037225	TRIM SWITCH Round Bezel		1	
5	0000	889823001	TETHER Flush Plug		1	
6	0022	885361A01	FITTING ASSEMBLY Flush		1	
7	0000	8M0047301	SEAL Flush Plug Pocket		1	
8	0022	888958001	PLUG Flush Port		1	
9	0100	8M0088281	LOWER COWL ASSEMBLY Front		1	
10	0010	8M0073002	SCREW (M6 X 20), Hex Flg		4	
11	0000	8M0055211	RETAINER - LATCH Top Cowl		1	
12	0010	892073002	SHOULDER SCREW (M6)		2	
13	0000	8M0055216	COVER Upper Mount Starboard		1	
14	0000	8M0055214	COVER Upper Mount, Port		1	
15	0012	4002316	WASHER (6.60 X 17.0 X 1.5SS)		2	
16	0010	88552525	SCREW (M6 x 25 MM) Stainless Steel		2	
17	0000	8M0055154	STRIKER ASSEMBLY		1	
18	0010	88552545	SCREW (M6 x 45 MM) Stainless Steel		1	
19	0000	8M0055202	PLATE Ingress Mounting		1	
20	0010	8M0047718	SCREW (M5 X 8MM)		3	
21	0025	8M0073102	GROMMET Trim Sensor Wires		1	
22	0000	8M0055208	GROMMET Ingress		1	
23	0000	8M0055209	ADAPTER Rigging Hose		1	
24	0010	8M0075736	SCREW (M6 X 50) Hex Flg		1	
25	0010	8M0075735	SCREW (M6 X 30) Hex Flg		2	
26	0010	8M0071078	SCREW (M6 X 85) Hex Flg		1	
27	0010	8M0030817	SCREW (M6 X 70) Hex Flg		1	
28	0097	8M0074531	PLUG Anode Screw		1	

# Flywheel and Cover



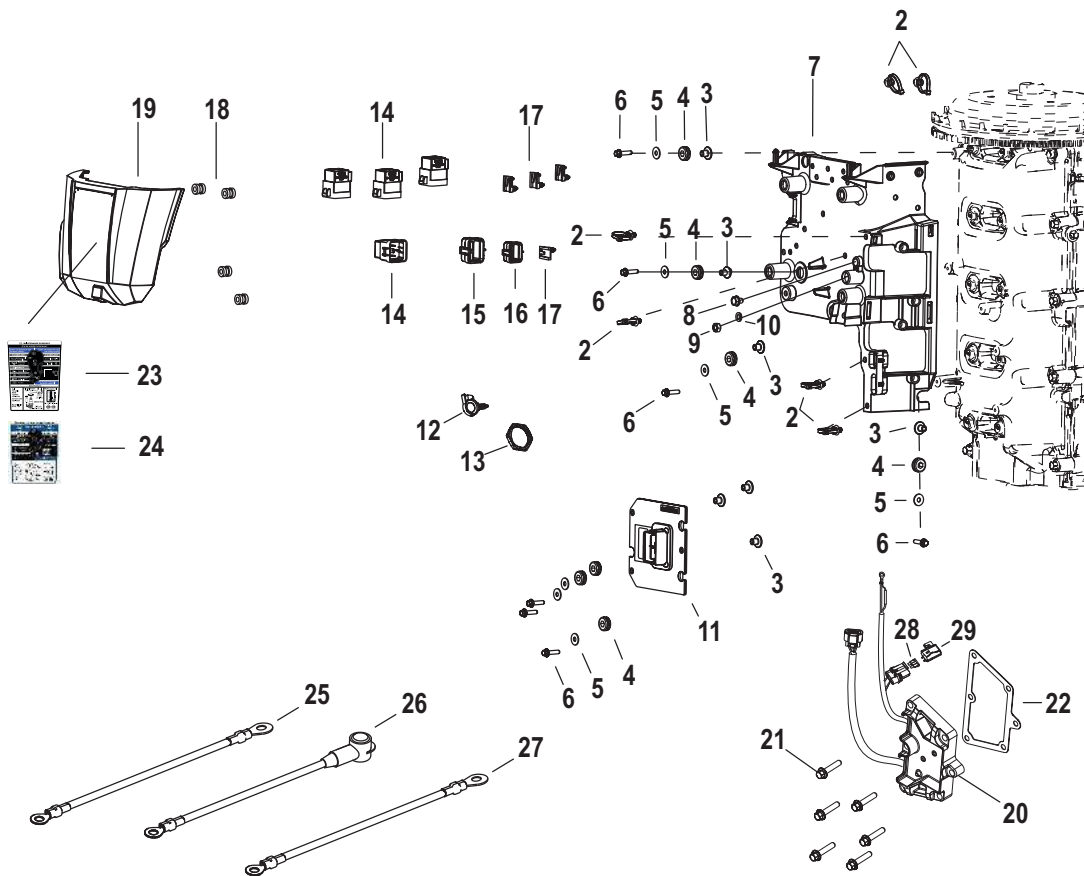
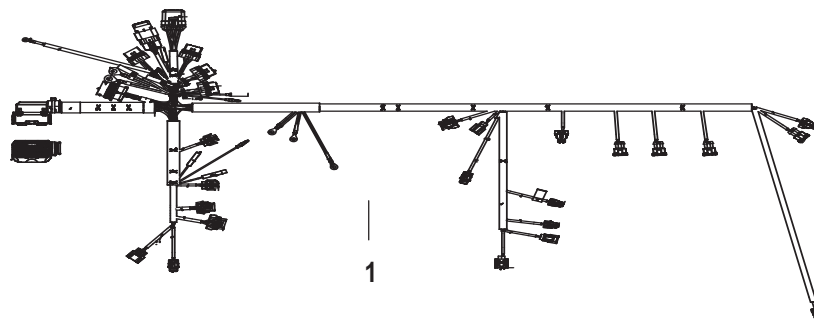
55119



Cat.# 90-8M0087973

## Flywheel and Cover

Ref #	Part Class	Part Number	Description	Comments	Qty	Note
1	0000	8M0088058	FLYWHEEL COVER		1	
2	0025	821555001	GROMMET		4	
3	0010	880515	BOLT (M20 x 68)		1	
4	0012	8M0071547	WASHER (66 X 21 X 6.35 MM)		1	
5	0200	8M0090795	FLYWHEEL ASSEMBLY		1	
6	0010	88552530	SCREW (M6 x 30 MM) Stainless Steel		6	
7	0300	8M0088059	STATOR ASSEMBLY Complete		1	

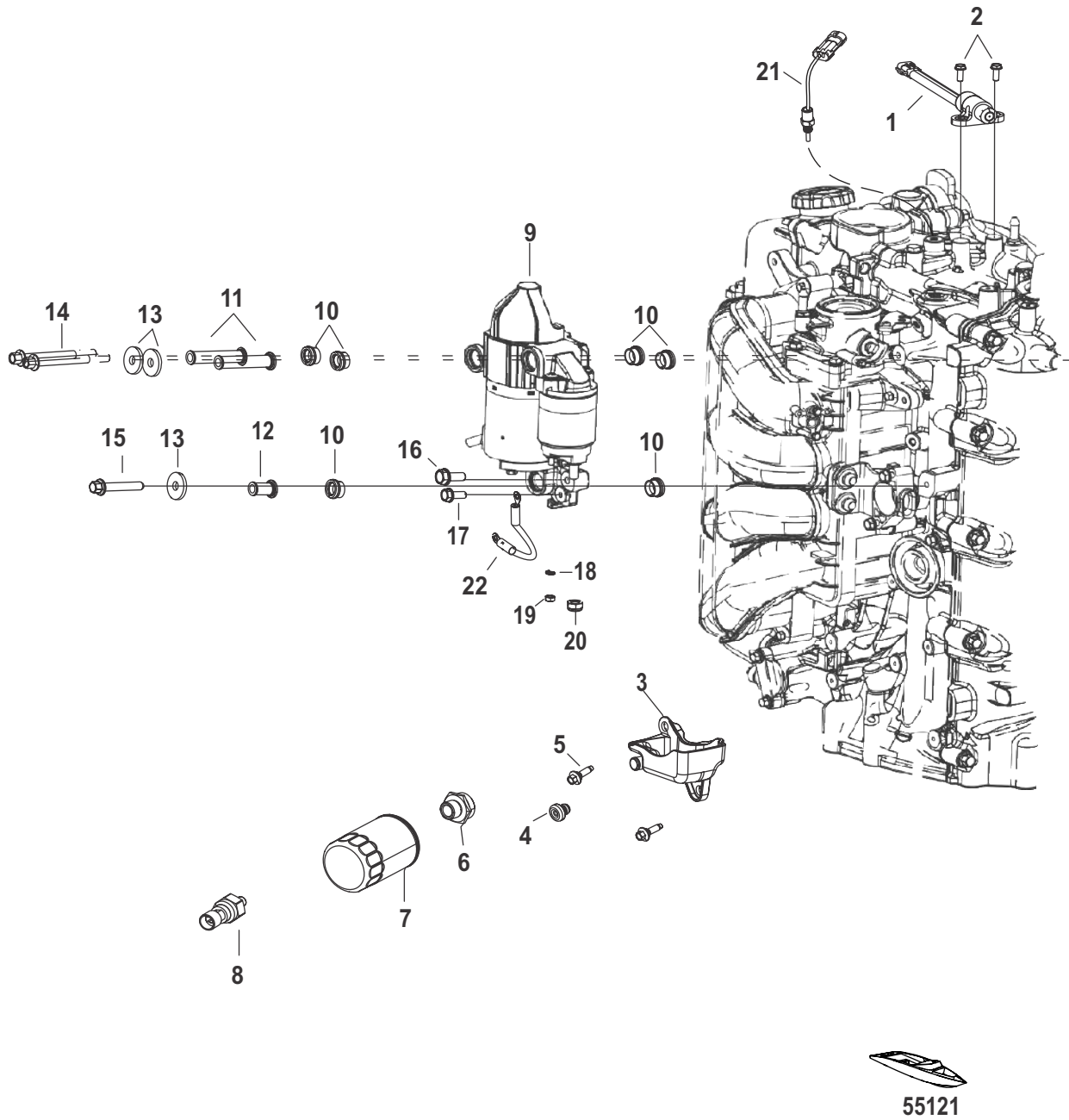


55120

## Electrical

Ref #	Part Class	Part Number	Description	Comments	Qty	Note
1	0084	8M0088060	WIRING HARNESS - MAIN		1	
2	0054	899145	CLIP Tie Strap		6	
3	0023	856954	BUSHING		7	
4	0025	834985	GROMMET		7	
5	0012	65567	WASHER (.265 x .750 x .048) Stainless Steel		7	
6	0010	88552525	SCREW (M6 x 25 MM) Stainless Steel		7	
7	0000	8M0092349	PLATE - ELECTRICAL		1	
8	0010	40011145	SCREW (M8 x 10) Stainless Steel		1	
9	0011	400213	NUT (M8) Stainless Steel		1	
10	0013	26993	LOCKWASHER (.312)		1	
11	0077	8M0116532	ECM 65HP 4S Jet		1	
11	0077	8M0088061	ECM 75HP 4S		1	
11	0077	8M0098622	ECM 75HP 4S SeaPro		1	
11	0077	8M0098515	ECM 80HP 4S		1	
11	0077	8M0116533	ECM 80HP 4S Jet		1	
11	0077	8M0088062	ECM 90HP 4S		1	
11	0077	8M0098623	ECM 90HP 4S SeaPro		1	
11	0077	8M0098517	ECM 100HP 4S		1	
11	0077	8M0088063	ECM 115HP 4S		1	
11	0077	8M0098624	ECM 115HP 4S SeaPro		1	
12	0054	858954	CLIP (.625)		1	
13	0011	889664	NUT (1.500-18) Black Nylon		1	
14	0000	882751	RELAY		4	
15	0000	8M0047885	FUSE COVER With Spares		1	
16	0000	858754	COVER Fuse		1	
17	0000	8M6001733	CLIP - RELAY, DOUBLE NAIL		4	
18	0025	821555001	GROMMET		4	
19	0000	8M0072821	COVER Electrical Plate		1	
19	0000	8M0100266	COVER, Electrical Plate	SeaPro Only	1	
20	0000	8M0088351	VOLTAGE REGULATOR		1	
21	0010	88552530	SCREW (M6 x 30 MM) Stainless Steel		6	
22	0027	8M0072790	GASKET Voltage Regulator		1	
23	0037	8M0098218	DECAL Maintenance Schedule		1	
24	0037	8M0094686	DECAL Maintenance Schedule	SeaPro Only	1	
25	0084	8M2100378	HARNESS Starter		1	
26	0084	88439A35	CABLE ASSEMBLY Battery - Positive		1	
27	0084	88439A26	CABLE ASSEMBLY Battery - Negative		1	
28	0088	8M6001923	FUSE 40 AMP		1	
29	0000	828054	COVER Fuse		1	

# Starter Motor/Oil Filter/Sensors



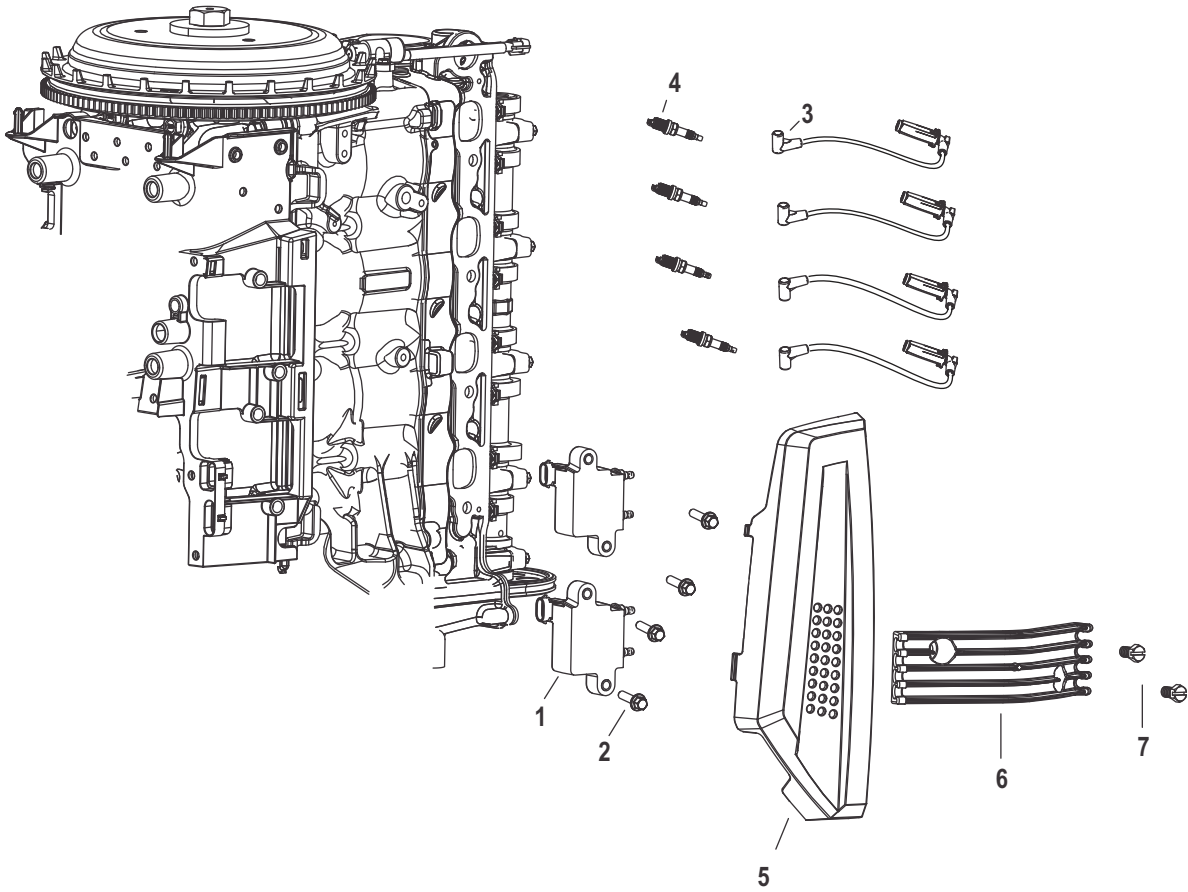
## Starter Motor/Oil Filter/Sensors

Ref #	Part Class	Part Number	Description	Comments	Qty	Note
1	0000	8M0082988	SENSOR Crankshaft Position		1	
2	0010	40011106	SCREW (M5 x 13) Stainless Steel		2	
3	0000	8M0090816	TRAY - OIL DRIP		1	
4	0019	8M0049906	PLUG Oil Tray		1	
5	0010	8M0012661	SCREW		2	
6	0022	8M0071039	FITTING - OIL FILTER		1	
7	0035	8M0065103	FILTER Oil		1	[1]
8	0000	8M6000634	PRESSURE SENSOR		1	
9	0050	8M0088064	STARTER MOTOR		1	
10	0023	8M0070367	MOUNT - TUBULAR 8MM		6	
11	0023	8M0070369	SPACER (8.3 I.D. X 11.8 O.D.)		2	
12	0023	8M0070368	SPACER (8.3 I.D. X 11.8 O.D.)		1	
13	0012	43430	WASHER		3	
14	0010	8M0071509	BOLT (M8 X 80) HEX FLG		2	
15	0010	88552645	SCREW (M8X45)		1	
16	0010	40011148	SCREW (M8 x 20)		1	
17	0010	40011126	SCREW (M6 x 13) Stainless Steel		1	
18	0013	400255	LOCKWASHER (M5)		1	
19	0011	400211	NUT (M5) Stainless Steel		1	
20	0011	401388	NUT (M8) Stainless Steel		1	
21	0000	885342002	SENSOR ASSEMBLY		1	
22	0084	8M0056666	GROUND STRAP Starter		1	

## PART NOTES:

- [1] - Alternate part numbers:  
8M0065103QS  
8M0065104MPP

Ignition

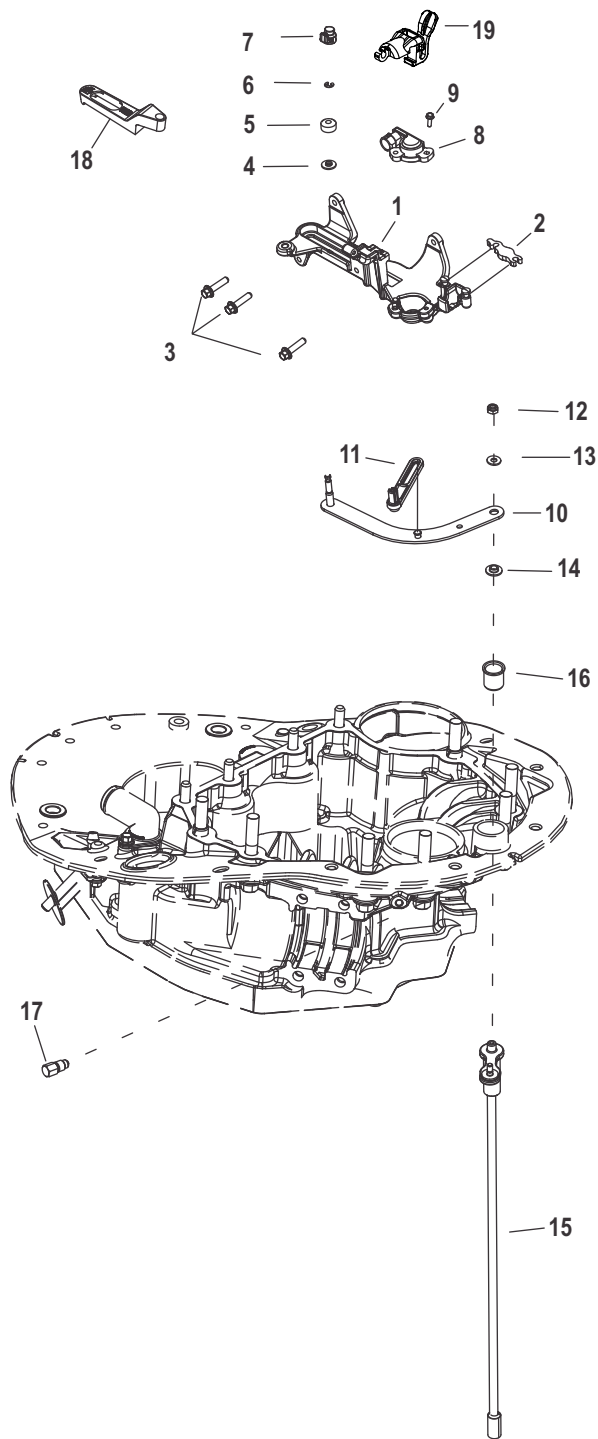


55122

**Ignition**

<b>Ref #</b>	<b>Part Class</b>	<b>Part Number</b>	<b>Description</b>	<b>Comments</b>	<b>Qty</b>	<b>Note</b>
1	0300	8M0044991	IGNITION COIL Ignition Dual Output		2	
2	0010	88552525	SCREW (M6 x 25 MM) Stainless Steel		4	
3	0000	8M0088014	SPARK PLUG Wire Set		1	
4	0033	8M0057936	SPARK PLUG NGK ZFR5F		4	
5	0000	8M0077655	COVER, COIL		1	
6	0000	8M0060350	TRAY High Tension Lead		1	
7	0010	88552514	SCREW (M6 x 14 MM) Stainless Steel		2	

# Shift Linkage



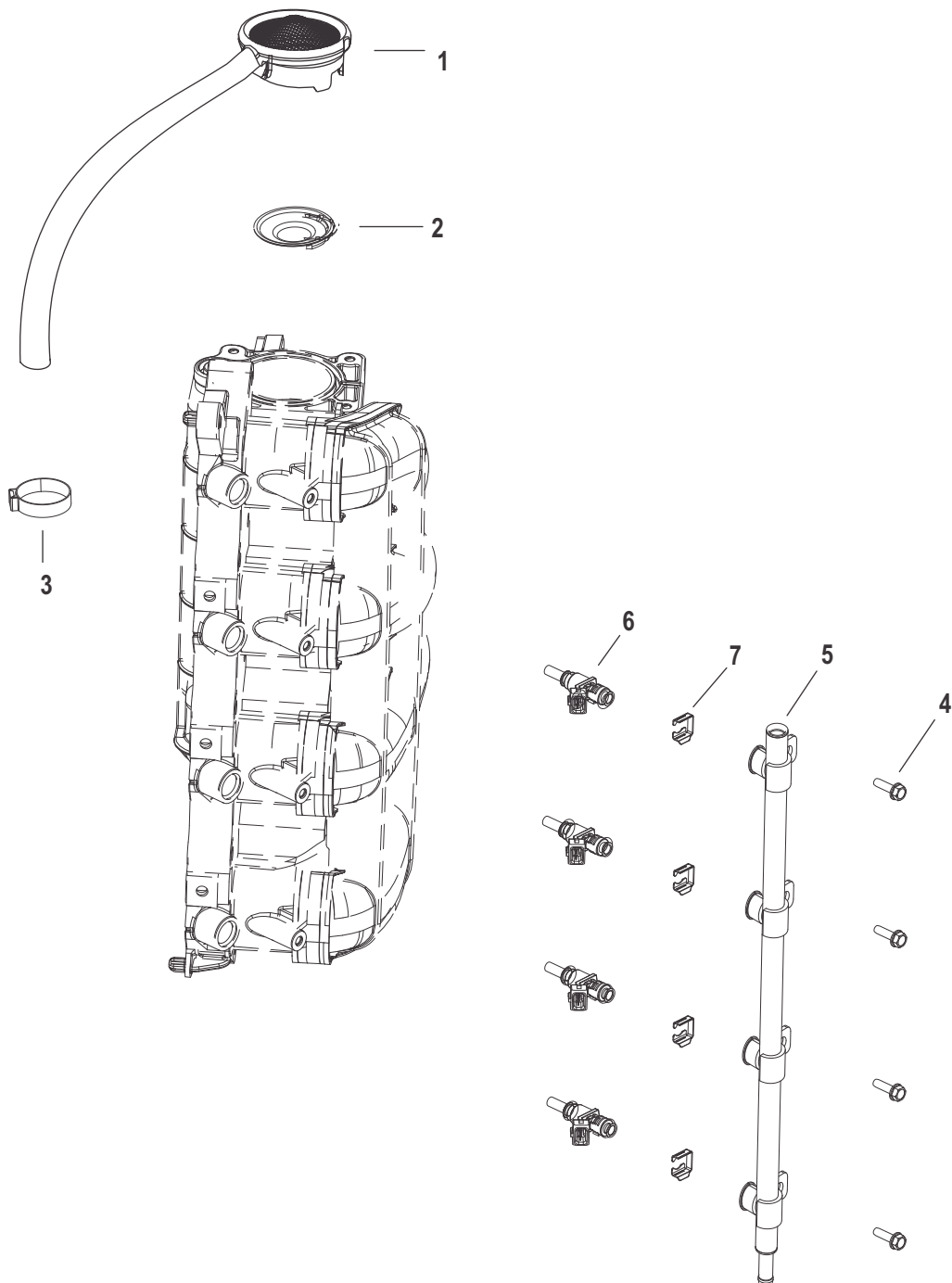
55123



## Shift Linkage

Ref #	Part Class	Part Number	Description	Comments	Qty	Note
1	0000	8M0058458	BRACKET ASSEMBLY Shift Link		1	
2	0000	899044	LATCH		1	
3	0010	88552525	SCREW (M6 x 25 MM) Stainless Steel		3	
4	0012	8M0050560	WASHER		1	
5	0000	8M0031453	ROLLER		1	
6	0053	27290	RING Retaining		1	
7	0000	8M0076452	RETAINER ASSEMBLY		1	
8	0000	881070T	SENSOR Position		1	
9	0010	4001186	SCREW (M4 X 13) Hex Wash HD SS		1	
10	0000	8M0075152	LINK Shift		1	
11	0000	8M0058943	LEVER Sensor		1	
12	0011	401386	NUT (M6) Stainless Steel		1	
13	0012	35462	WASHER (.2656 x .625 x .0625) Stainless Steel		1	
14	0023	8M0035249	BUSHING (6.452 MM ID) Flanged		1	
15	0000	8M0060213	SHIFT SHAFT ASSEMBLY		1	
16	0023	8M0063632	BUSHING Flanged		1	
17	0000	888823001	SHIFT DETENT ASSEMBLY		1	
18	0000	8M0104795	SPACER, SHIFT BRACKET Jet Outboards Only		1	
19	0000	8M0071176	LATCH Control Cable		1	

# Integrated Air Fuel Module

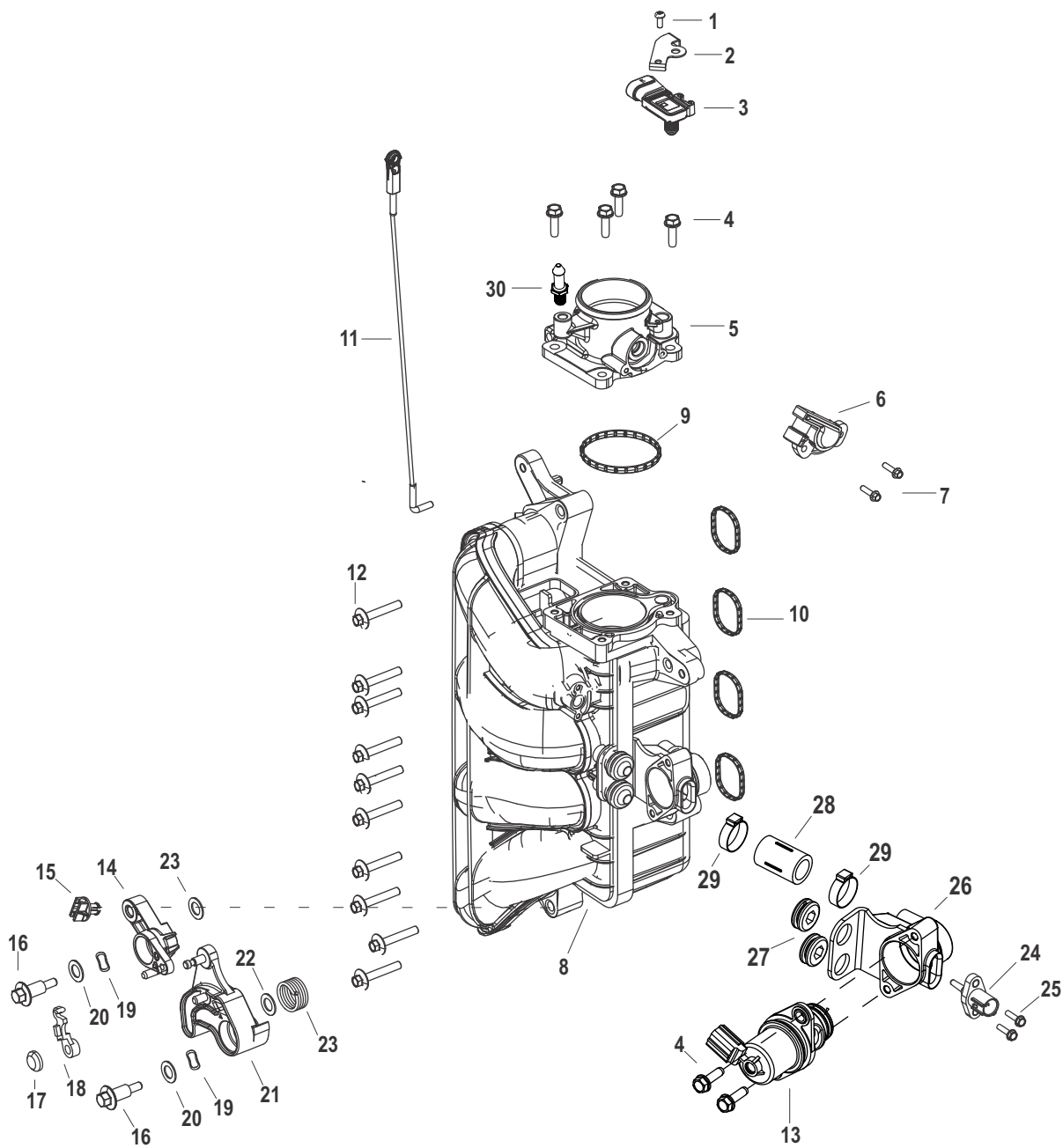


55124

**Integrated Air Fuel Module**

<b>Ref #</b>	<b>Part Class</b>	<b>Part Number</b>	<b>Description</b>	<b>Comments</b>	<b>Qty</b>	<b>Note</b>
1	0000	8M0090812	BELL MOUTH ASSEMBLY		1	
2	0000	8M0061853	RESTRICTOR	75 HP ONLY	1	
3	0054	855228	CLAMP		1	
4	0010	897445501	SCREW (M6 x 20 MM)		4	
5	0000	8M0080425	RAIL ASSEMBLY Fuel		1	
6	0000	8M6002428	FUEL INJECTOR		4	
7	0000	8M2001570	CLIP		4	

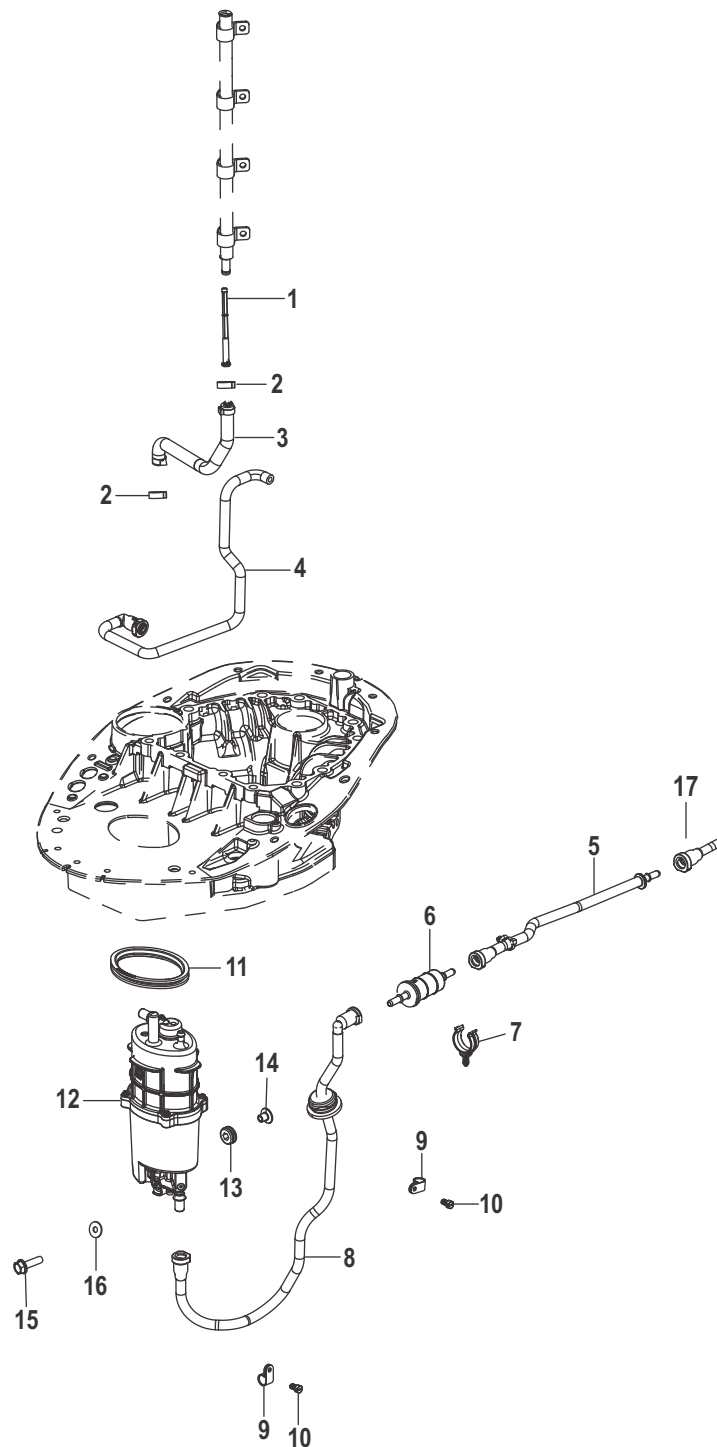
# Integrated Air Fuel Module Components



## Integrated Air Fuel Module Components

Ref #	Part Class	Part Number	Description	Comments	Qty	Note
1	0010	87775610	SCREW (M4 X 10)		1	
2	0000	8M0060503	BRACKET Map Sensor		1	
3	0000	854445	SENSOR MAP		1	
4	0010	897445501	SCREW (M6 x 20 MM)		6	
5	0000	8M0088066	THROTTLE BODY ASSEMBLY		1	
6	0000	881070T	SENSOR Position		1	
7	0010	8M0063490	SCREW (M4 X .7 X 16 MM)		2	
8	0000	8M0088065	INTAKE MANIFOLD ASSEMBLY		1	
9	0025	8M0061361	GASKET		1	
10	0025	8M0061362	GASKET		4	
11	0000	8M0059235	LINK Throttle Assembly		1	
12	0010	8M0060385	SCREW (M6 X 1 X 37) Hex Flg HD		10	
13	0000	897526T	IAC VALVE		1	
14	0000	8M0077848	LEVER ASSEMBLY Throttle Follower		1	
15	0000	8M0077229	BUSHING Swivel		1	
16	0010	8M0071815	BOLT Shoulder, Throttle Lever		2	
17	0011	825677	PUSH NUT		1	
18	0000	822459	RETAINER		1	
19	0013	898093	WASHER Wave		2	
20	0012	897937	WASHER		2	
21	0000	8M0068644	THROTTLE CAM ASSEMBLY		1	
22	0012	897936	WASHER		2	
23	0024	897535005	SPRING Throttle Cam Return		1	
24	0000	891663001	SENSOR ASSEMBLY Temperature		1	
25	0010	895054	SCREW (M4 x 16 MM)		2	
26	0000	8M0090814	HOUSING IACV		1	
27	0025	834985	GROMMET		2	
28	0032	8M0057601	HOSE IACV		1	
29	0054	855228	CLAMP		2	
30	0017	8M0062044	PIN Mounting		1	

# Fuel Supply System-Hoses and Module



55126

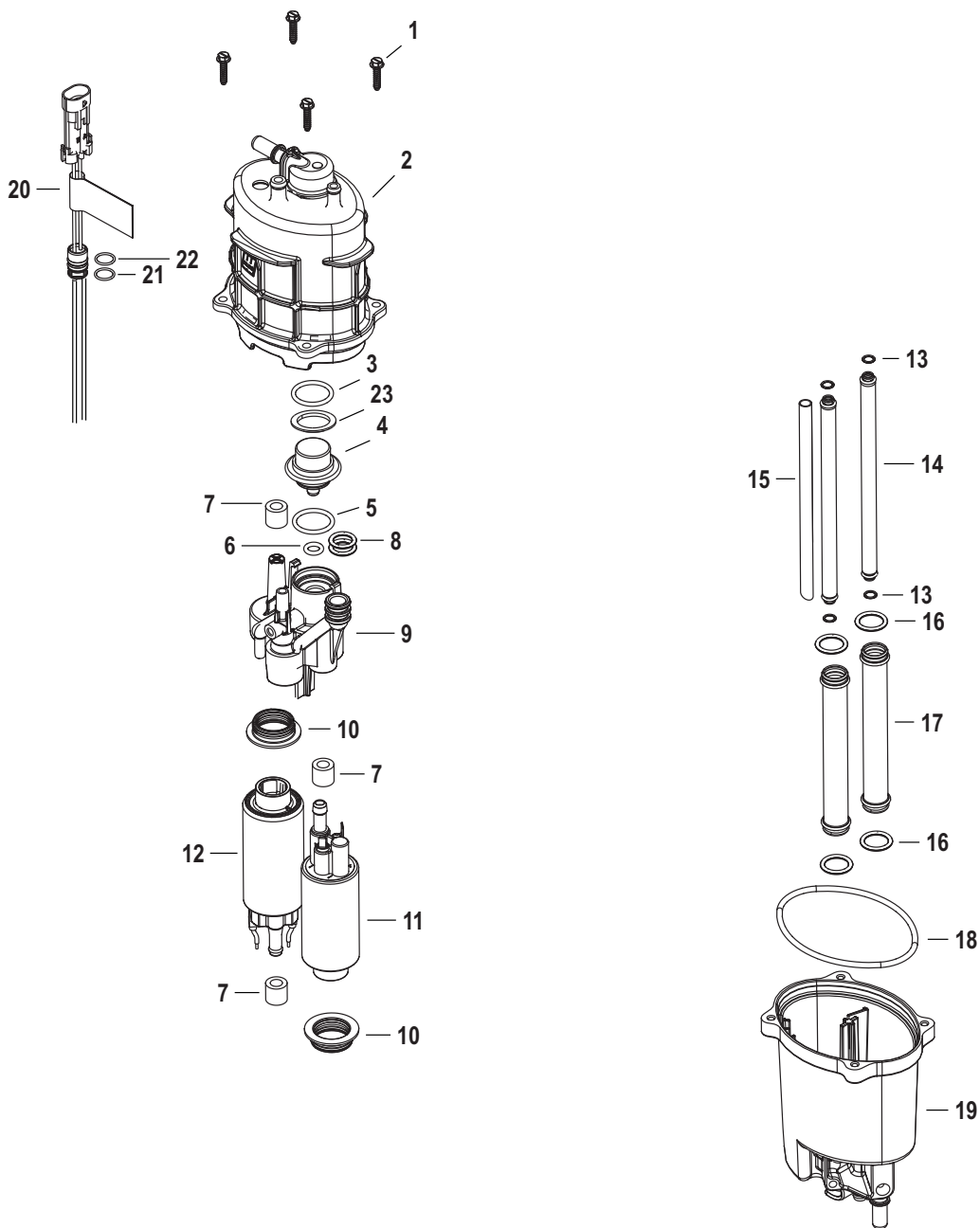
## Fuel Supply System-Hoses and Module

Ref #	Part Class	Part Number	Description	Comments	Qty	Note
1	0035	8M0090809	FILTER		1	
2	0054	855697	CLAMP		AR	
3	0032	8M0079868	HOSE		1	
4	0032	8M0060614	HOSE		1	
5	0032	8M0073119	HOSE		1	
6	0035	879885Q	FILTER Fuel In-Line		1	[1]
7	0054	8M0063572	HOSE		1	
8	0032	8M0061494	HOSE		1	
9	0054	8M0037098	CLIP Hose		2	
10	0010	8M0037204	SCREW Nylon, Push-In (.25-20 x .50)		2	
11	0000	8M0037209	GROMMET FSM Retainer		1	
12	0000	8M0057676	FUEL SUPPLY MODULE Dual Pump		1	
13	0025	834985	GROMMET		1	
14	0023	856954	BUSHING		1	
15	0010	88552525	SCREW (M6 x 25 MM) Stainless Steel		1	
16	0012	65567	WASHER (.265 x .750 x .048) Stainless Steel		1	
17	0022	8M6002064	FITTING 8MM		1	
17	0022	8M6002065	FITTING 10MM		1	

**PART NOTES:**

- [1] - Alternate part numbers:  
879885KMPP  
879885QQS  
879885TService Part

# Fuel Supply Module 2B494018 and Below



48372



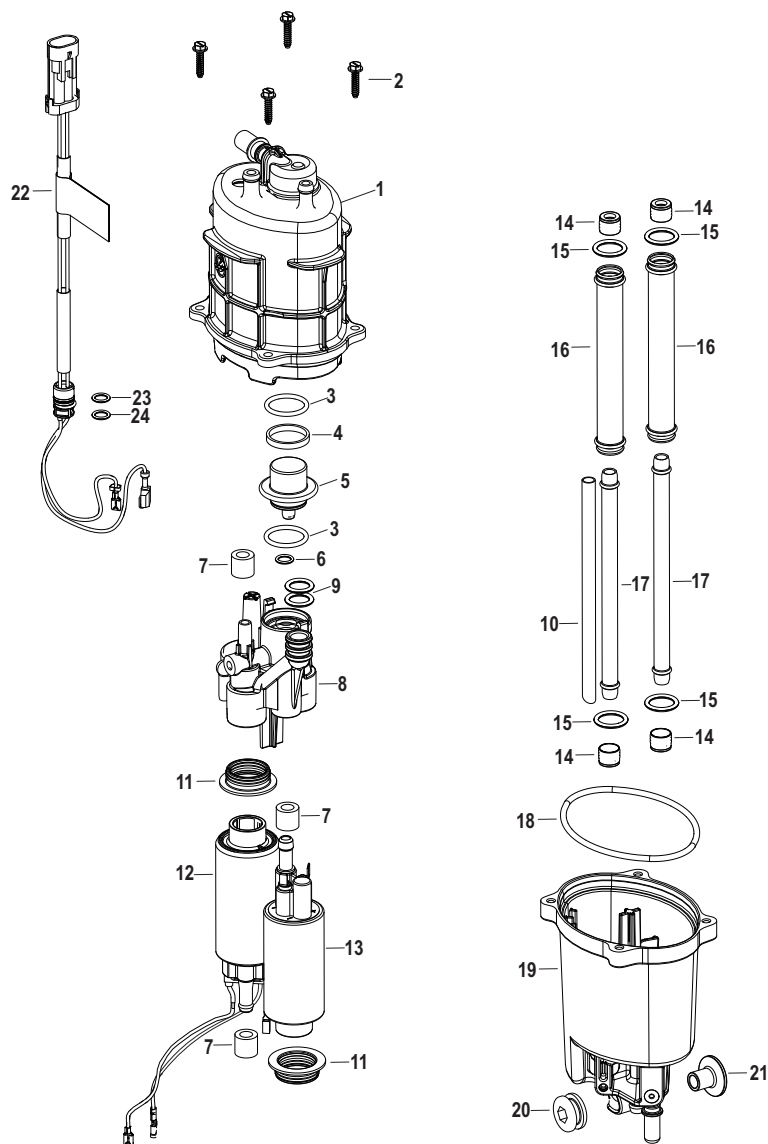
## Fuel Supply Module 2B494018 and Below

Ref #	Part Class	Part Number	Description	Comments	Qty	Note
-	0000	8M0057676	FUEL SUPPLY MODULE Dual Pump		1	
1	0010	8M0053756	SCREW Plastite W/ HX WSR HD		4	
2	0000	8M0053726	FSM TOP HOUSING		1	
3		NSS	NOT SOLD SEPARATE O-Ring		1	[1]
4	0000	8M0053749	REGULATOR ASSEMBLY		1	
5		NSS	NOT SOLD SEPARATE O-Ring		1	[1]
6		NSS	NOT SOLD SEPARATE O-Ring		1	[1]
7		NSS	NOT SOLD SEPARATE Seal		3	[1]
8		NSS	NOT SOLD SEPARATE O-Ring		2	[1]
9	0000	8M0053727	FSM CAP		1	
10		NSS	NOT SOLD SEPARATE Seal		2	[1]
11	0000	8M0062771	PUMP ASSY Low Pressure		1	
12	0000	8M0062770	PUMP ASSY High Pressure		1	
13		NSS	NOT SOLD SEPARATE O-Ring		4	[1]
14	0032	8M0053735	TUBE Fuel		2	
15	0032	8M0053755	TUBE Suction		1	
16		NSS	NOT SOLD SEPARATE O-Ring		4	[1]
17	0032	8M0053734	TUBE Water		2	
18		NSS	NOT SOLD SEPARATE Seal		1	[1]
19	0000	8M0053725	FSM BOTTOM HOUSING		1	
20	0084	8M6001398	ELECTRICAL HARNESS ASSEMBLY		1	
21		NSS	NOT SOLD SEPARATE O-Ring		1	[1]
22		NSS	NOT SOLD SEPARATE O-Ring		1	[1]
23		NSS	NOT SOLD SEPARATE Spacer		1	[1]
-	0000	8M0057679	FSM SEAL KIT		1	

## PART NOTES:

[1] - COMPONENT OF FSM SEAL KIT 8M0057679

# Fuel Supply Module 2B494019 and Up



67086

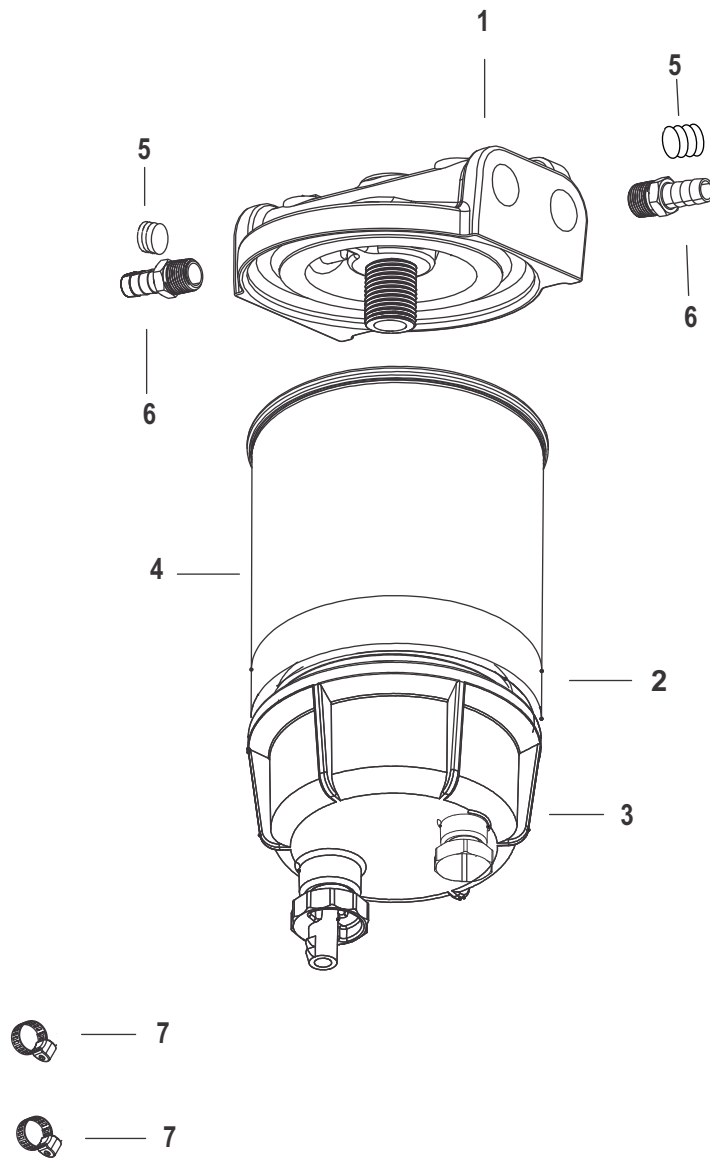
## Fuel Supply Module 2B494019 and Up

Ref #	Part Class	Part Number	Description	Comments	Qty	Note
-	0000	8M0132733	FUEL SUPPLY MODULE Dual Pump		1	
1	0000	8M0053726	FSM TOP HOUSING		1	
2	0010	8M0053756	SCREW Plastite W/ HX WSR HD		4	
3		NSS	NOT SOLD SEPARATE O-Ring		2	[1]
4		NSS	NOT SOLD SEPARATE Spacer		1	[1]
5	0000	8M0053749	REGULATOR ASSEMBLY		1	
6		NSS	NOT SOLD SEPARATE O-Ring		1	[1]
7		NSS	NOT SOLD SEPARATE Seal		3	[1]
8	0000	8M0053727	FSM CAP		1	
9		NSS	NOT SOLD SEPARATE O-Ring		2	[1]
10	0032	8M0053755	TUBE Suction		1	
11		NSS	NOT SOLD SEPARATE Seal		2	[1]
12	0000	8M0062770	PUMP ASSY High Pressure		1	
13	0000	8M0062771	PUMP ASSY Low Pressure		1	
14		NSS	NOT SOLD SEPARATE Seal		4	[1]
15		NSS	NOT SOLD SEPARATE O-Ring		4	[1]
16	0032	8M0120073	TUBE Water		2	
17	0032	8M0130873	TUBE Fuel		2	
18		NSS	NOT SOLD SEPARATE Seal		1	[1]
19	0000	8M0130878	FSM BOTTOM HOUSING		1	
20	0025	895319	GROMMET		1	
21	0023	856954	BUSHING		1	
22	0084	8M6004776	HARNESS ASSEMBLY		1	
23		NSS	NOT SOLD SEPARATE O-Ring		1	[1]
24		NSS	NOT SOLD SEPARATE O-Ring		1	[1]
-	0000	8M0133370	FSM SEAL KIT		1	

## PART NOTES:

[1] - COMPONENT OF FSM SEAL KIT 8M0133370

# Water Separator Fuel Filter Kit Without WIF Sensor-SeaPro

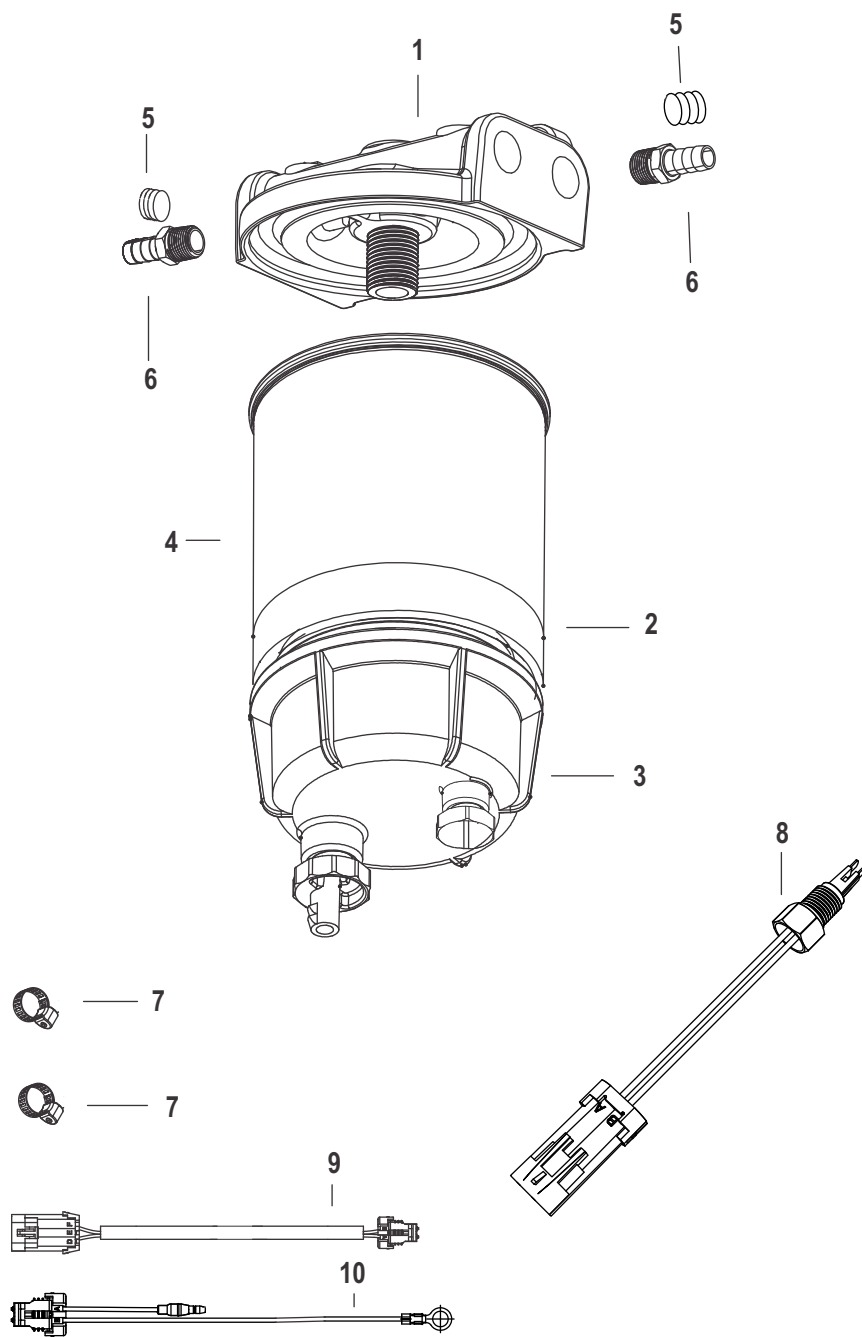


60904

**Water Separator Fuel Filter Kit Without WIF Sensor-SeaPro**

Ref #	Part Class	Part Number	Description	Comments	Qty	Note
-	0000	8M0097838	FUEL FILTER KIT		1	
1	0000	8M0095674	BASE ASSEMBLY Fuel Filter		1	
2	0035	8M0116793	FUEL FILTER KIT		1	
3	0000	8M0021044	BOWL		1	
4	0035	8M0103095	FILTER Fuel-Water Separating (11/16-16 Thread)		1	
5	0022	36373	PLUG (.375-18) Hex - Steel		2	
6	0022	8M0086290	CONNECTOR Barb		2	
7	0054	815504105	CLAMP Worm Gear (11-18 mm)		2	

# Water Separating Fuel Filter Kit With WIF Sensor

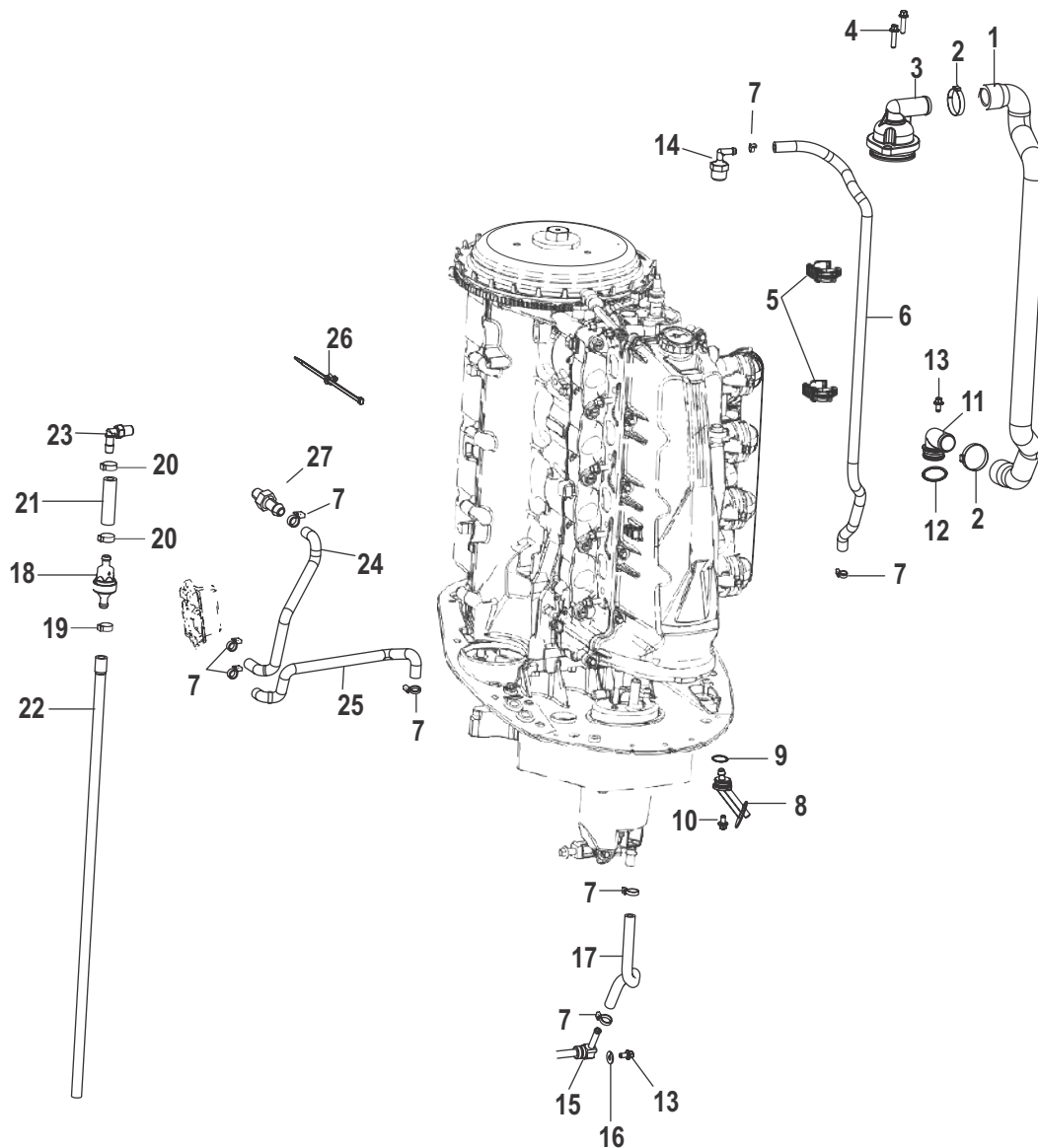


60905

## Water Separating Fuel Filter Kit With WIF Sensor

Ref #	Part Class	Part Number	Description	Comments	Qty	Note
-	0000	8M0109543	FUEL FILTER KIT Remote Water Separating		1	
1	0000	8M0095674	BASE ASSEMBLY Fuel Filter		1	
2	0035	809096	FILTER Fuel-Water Separating Fuel Filter Assembly		1	
3	0000	8M0021044	BOWL		1	
4	0035	8M0103095	FILTER Fuel-Water Separating (11/16-16 Thread)		1	
5	0022	36373	PLUG (.375-18) Hex - Steel		2	
6	0022	8M0086290	CONNECTOR Barb		2	
7	0054	855697	CLAMP		2	
8	0000	8M0021043	SENSOR ASSEMBLY Fuel and Water		1	
9	0084	8M0060420	HARNESS 6 Pin		1	
10	0084	8M0060421	HARNESS Adapter		1	

# Cooling



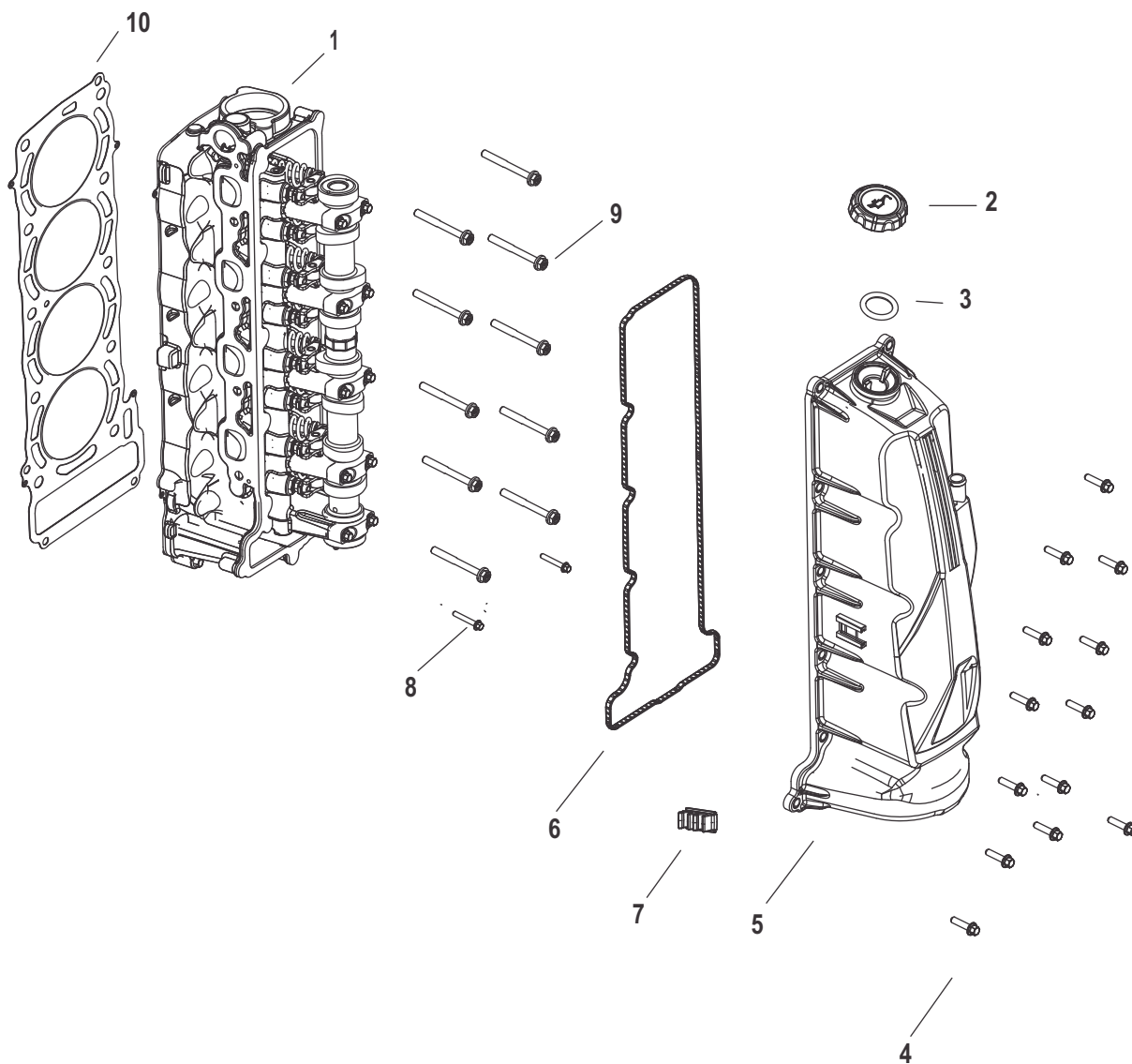
55129



## Cooling

Ref #	Part Class	Part Number	Description	Comments	Qty	Note
1	0032	8M0055699	HOSE		1	
2	0054	888988001	CLAMP (36.1 mm)		AR	
3	0000	8M0090819	THERMOSTAT ASSEMBLY		1	
4	0010	88552525	SCREW (M6 x 25 MM) Stainless Steel		3	
5	0054	8M0061994	CLIP		2	
6	0032	8M0055698	HOSE		1	
7	0054	816311T	TIE STRAP (8.00 Inches)		AR	
8	0000	8M0055215	TELLTALE		1	
9	0025	38101	O-RING (.674 x .103)		1	
10	0010	8M0012661	SCREW		1	
11	0022	8M0057408	FITTING		1	
12	0025	29845	O-RING (.924 x .103)		1	
13	0010	88552512	SCREW (M6 x 12 MM) Stainless Steel		1	
14	0035	8M0061328	STRAINER Snap Fit		1	
15	0022	8M0050013	FITTING Exhaust Cooling		1	
16	0012	4002316	WASHER (6.60 X 17.0 X 1.5SS)		1	
17	0032	8M0045298	HOSE Sprayer		1	
18	0032	8M0035700	HOSE ASSEMBLY FLUSH SYSTEM		1	
19	0054	855697	CLAMP		AR	
20	0054	888988022	CLAMP		AR	
21	0032	8M0057620	HOSE Flush		1	
22	0032	8M0057599	TUBING (8 ID X 14 OD X 840 MM)		1	
23	0022	8M0075779	FITTING		1	
24	0032	8M0056685	HOSE		1	
25	0032	8M0056483	HOSE		1	
26	0054	899145	CLIP Tie Strap		AR	
27	0022	291112	FITTING		1	

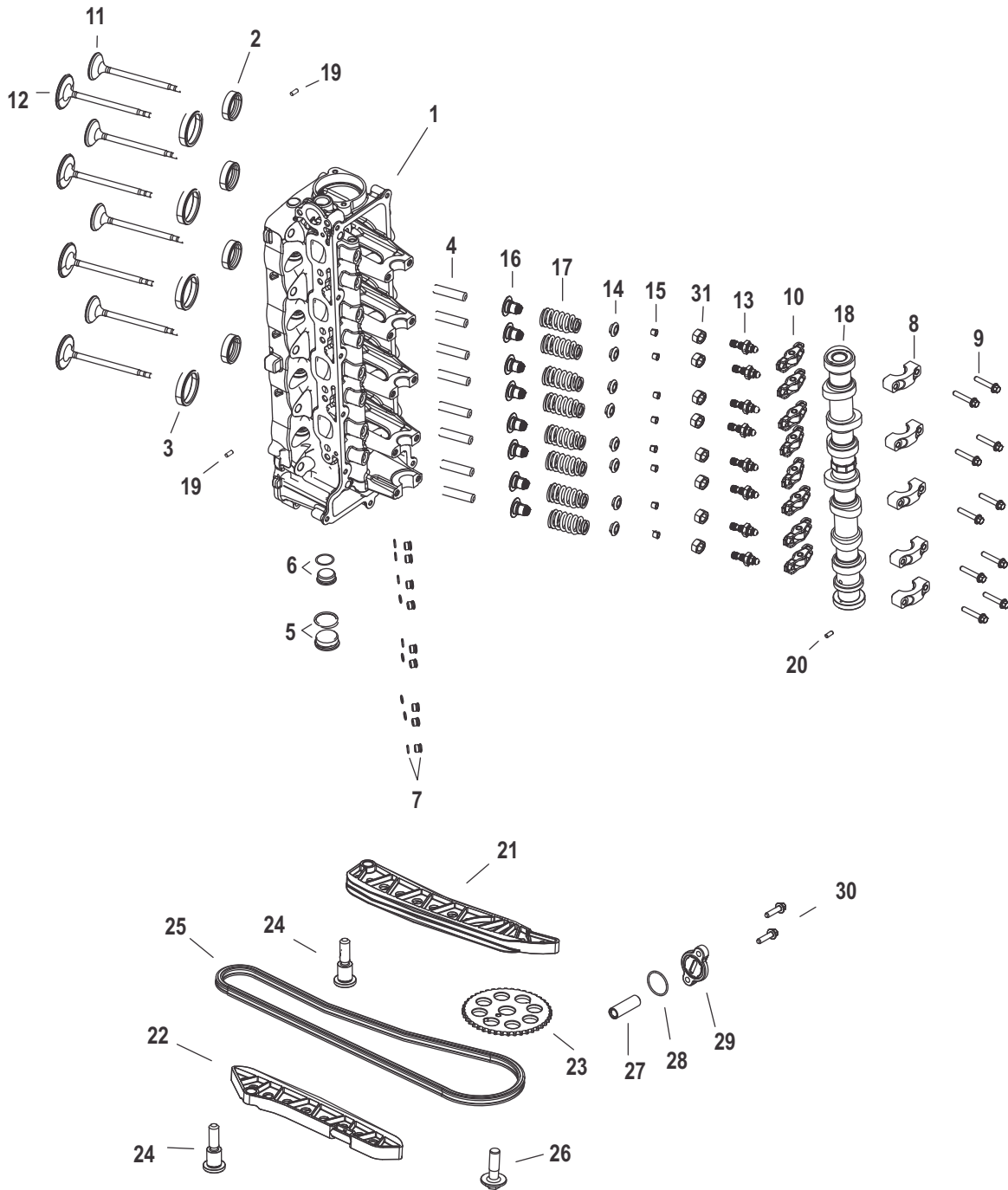
# Cylinder Head and Camshaft Cover



## Cylinder Head and Camshaft Cover

Ref #	Part Class	Part Number	Description	Comments	Qty	Note
1	0900	8M0094683	CYLINDER HEAD ASSEMBLY	65 Jet, 75, 80, 90, 100 Hp	1	
1	0900	8M0098627	CYLINDER HEAD ASSEMBLY	75/90 SeaPro	1	
1	0900	8M0091290	CYLINDER HEAD ASSEMBLY	115 and 80 Jet [2B192012] & Below	1	
1	0900	8M0098628	CYLINDER HEAD ASSEMBLY	115 Seapro [2B192012] & Below	1	
1	0900	8M0121260	CYLINDER HEAD ASSEMBLY	115, 115 SeaPro, 80 Jet [2B192013] & Up	1	
2	0000	8M0065093	CAP Oil Fill		1	
3	0025	8M0043174	O-RING		1	
4	0010	88552525	SCREW (M6 x 25 MM) Stainless Steel		13	
5	0000	8M0088067	CAMSHAFT COVER ASSEMBLY		1	
6	0000	8M0069479	SEAL Camshaft Cover		1	
7	0054	8M0071081	CLIP -WIRE		1	
8	0010	88552540	SCREW (M6 x 40 MM) Stainless Steel		2	
9	0010	8M0082895	SCREW (M10 X 1.5 X 95) HX HD		10	
10	0027	8M0090776	GASKET Cylinder Head		1	

# Cylinder Head and Camshaft



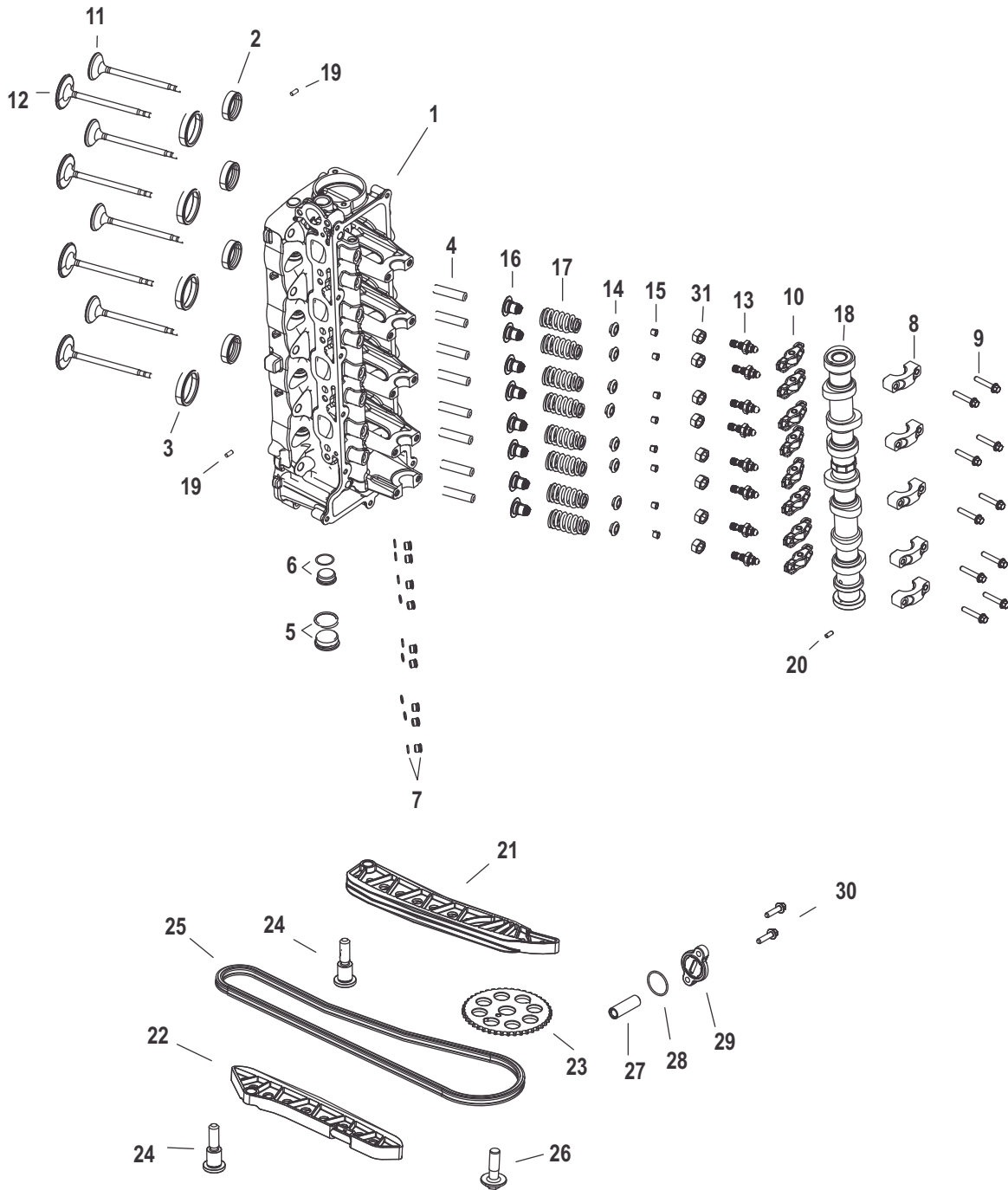
55131

## Cylinder Head and Camshaft

Ref #	Part Class	Part Number	Description	Comments	Qty	Note
-	0900	8M0094683	CYLINDER HEAD ASSEMBLY	65 Jet, 75, 80, 90, 100 Hp	1	
-	0900	8M0098627	CYLINDER HEAD ASSEMBLY	75/90 SeaPro	1	
-	0900	8M0091290	CYLINDER HEAD ASSEMBLY	115 and 80 Jet [2B192012] & Below	1	
-	0900	8M0098628	CYLINDER HEAD ASSEMBLY	115 SeaPro [2B192012] & Below	1	
-	0900	8M0121260	CYLINDER HEAD ASSEMBLY	115, 115 SeaPro, 80 Jet [2B192013] & Up	1	
1	0900	8M0091291	CYLINDER HEAD ASSEMBLY Bare		1	
2	0000	8M0056611	SEAT Exhaust Valve		4	
3	0000	8M0056610	SEAT Intake Valve		4	
4	0000	8M0054533	GUIDE Valve		8	
5	0019	8M0047997	PLUG (30 MM)		1	
6	0019	8M0047996	PLUG (24 MM)		2	
7	0019	8M0047992	PLUG (10 MM)		9	
8		NSS	NOT SOLD SEPARATE		4	
9	0010	892454035	BOLT (M6 x 36)		10	
10	0000	8M6106000	ROLLER FINGER FOLLOWER		8	
11	0000	8M0090772	VALVE Exhaust		4	
11	0000	8M0098633	VALVE Exhaust	SeaPro	1	
12	0000	8M0090774	VALVE Intake		4	
12	0000	8M0098632	VALVE Intake	SeaPro	4	
13	0016	8M0073719	STUD Ball End, (M9 X 1)		8	
14	0000	8M0054536	RETAINER Valve		8	
15	0028	8M0054537	KEY Valve		16	
16	0026	8M6105000	SEAL ASSEMBLY Valve Stem		8	
17	0024	8M6102000	SPRING Valve		8	
18	0400	8M0094684	CAMSHAFT ASSEMBLY	65 Jet, 75, 80, 90, 100 Hp	1	
18	0400	8M0098630	CAMSHAFT ASSEMBLY	75/90 SeaPro	1	
18	0400	8M0090775	CAMSHAFT ASSEMBLY	115 and 80 Jet [2B192012] & Below	1	
18	0400	8M0098631	CAMSHAFT ASSEMBLY	115 SeaPro [2B192012] & Below	1	
18	0400	8M0121261	CAMSHAFT ASSEMBLY	115, 115 SeaPro, 80 Jet [2B192013] & Up	1	
19	0017	8M0084726	PIN Dowel		2	
20	0017	8M0058695	PIN Dowel		1	
21	0000	8M0090800	CHAIN BLADE		1	
22	0000	8M0090799	CHAIN GUIDE		1	
23	0043	880550	SPROCKET		1	
24	0010	8M0061165	SCREW - SHOULDER (M8 X 1.25)		2	
25	0000	8M0090806	CHAIN Cam Drive		1	
26	0010	8M0021532	SCREW (M12 x 40 MM)		1	
27	0000	8M0057657	TENSIONER ASSEMBLY Timing Chain		1	
28	0025	898836	O-RING Brown		1	
29	1100	8M0064752	END CAP Cam Tensioner		1	

## Cylinder Head and Camshaft

# Cylinder Head and Camshaft



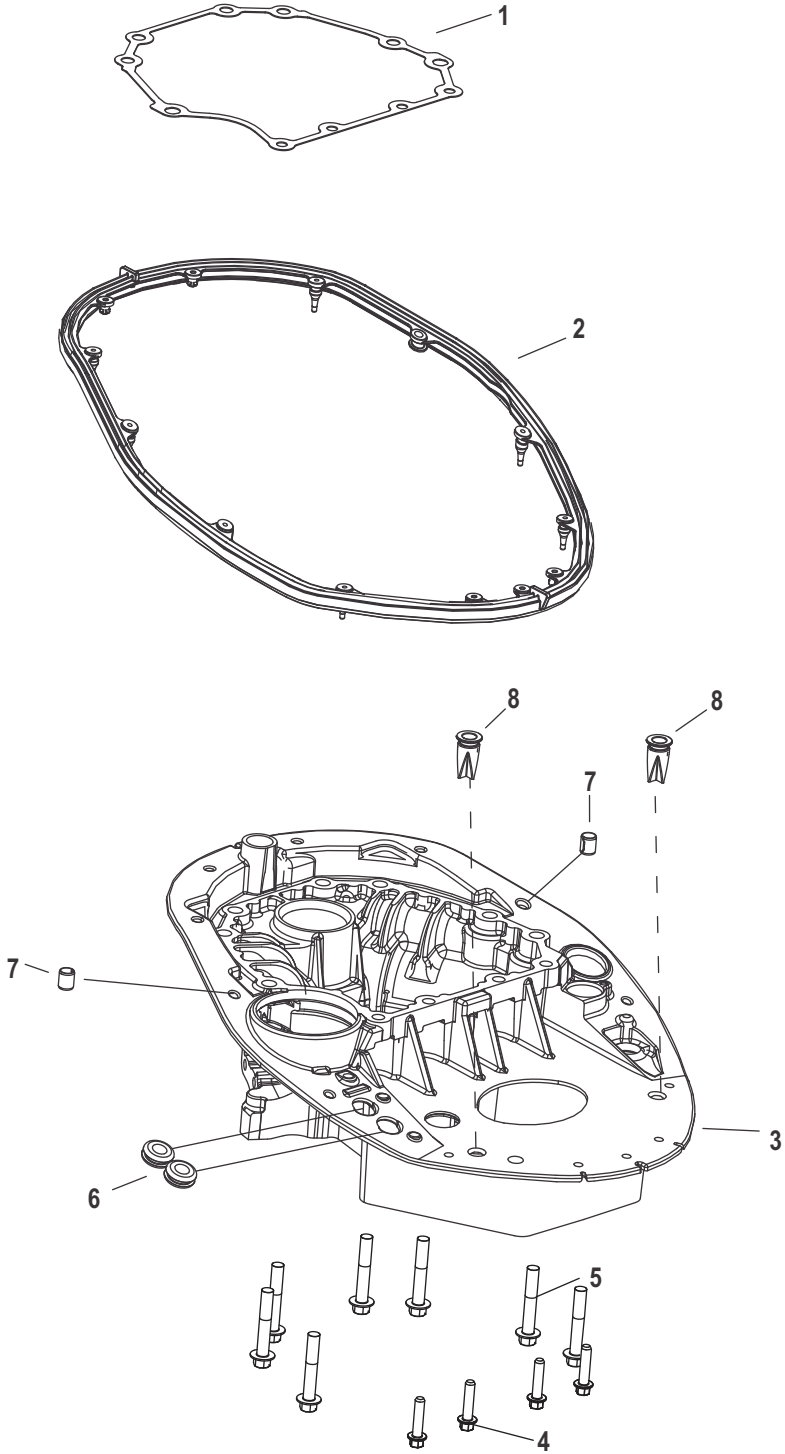
55131

**Cat.# 90-8M0087973**

## Cylinder Head and Camshaft

Ref #	Part Class	Part Number	Description	Comments	Qty	Note
30	0010	88552525	SCREW (M6 x 25 MM) Stainless Steel		2	
31	0011	8M0072563	NUT HEX		8	

# Adapter Plate



55135



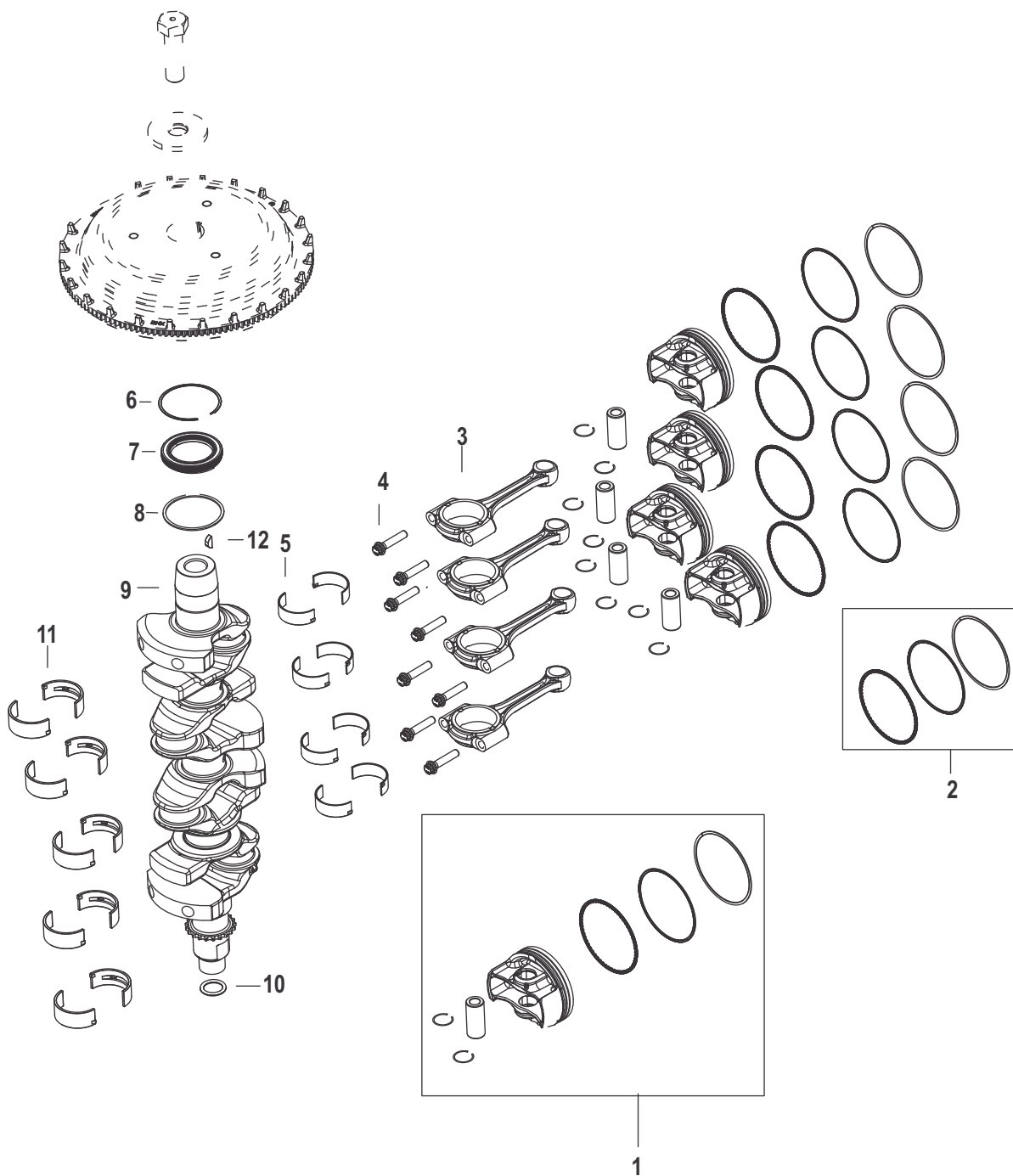
Cat.# 90-8M0087973

## Adapter Plate

Ref #	Part Class	Part Number	Description	Comments	Qty	Note
1	0027	8M0088745	GASKET Adapter Plate/Block		1	
2	0000	8M0055179	SEAL Adapter Plate		1	
3	0000	8M0091526	ADAPTER PLATE		1	
4	0010	88552635	SCREW (M8 x 35 MM)		4	
5	0010	8M0069690	SCREW (M10 X 1.5 X 60)		7	
6	0025	8M0058484	GROMMET		2	
7	0017	821327	PIN Dowel		2	
8	0000	8M0038275	DRAIN Cowl		2	

Adapter Plate

# Crankshaft, Pistons and Connecting Rods

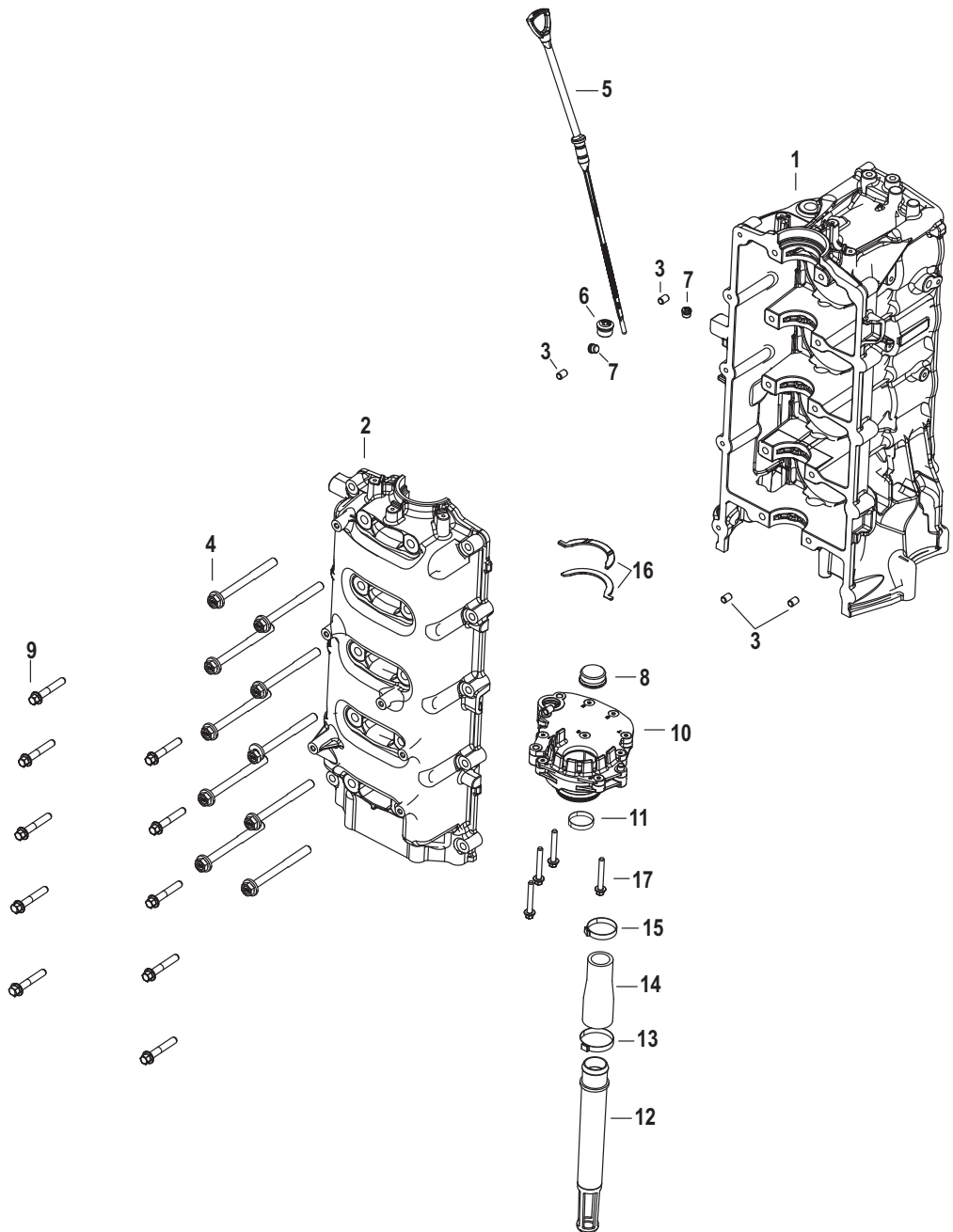


55133

## Crankshaft, Pistons and Connecting Rods

Ref #	Part Class	Part Number	Description	Comments	Qty	Note
1	0700	8M0090781	PISTON ASSEMBLY		4	
2	0039	8M0090783	RING SET - PISTON		4	
3	0600	8M0090778	CONNECTING ROD ASSEMBLY		4	
4	0010	8M6002637	BOLT Connecting Rod		8	
5	0000	8M0090780	CONNECTING ROD BEARING Orange		AR	
5	0600	8M0091376	CONNECTING ROD BEARING White		AR	
5	0600	8M0091377	CONNECTING ROD BEARING Blue		AR	
6	0053	8M0057585	RING Retaining		1	
7	0026	8M6002225	SEAL Top Main Bearing		1	
8	0023	8M0057586	SPACER Seal		1	
9	0400	8M0090777	CRANKSHAFT ASSEMBLY		1	
10	0025	8M0034912	O-RING 3.78 X 21.32		1	
11	0500	8M0090779	MAIN BEARING Orange		AR	
11	0500	8M0090797	MAIN BEARING White		AR	
11	0500	8M0091378	MAIN BEARING Blue		AR	
11	0500	8M0091379	MAIN BEARING Green		AR	
12	0028	91800	KEY Woodruff		1	

# Cylinder Block



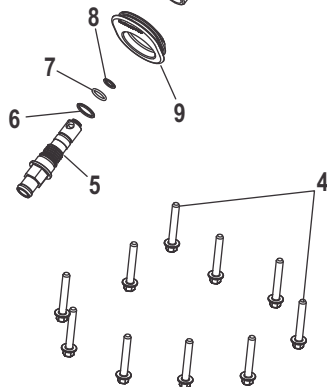
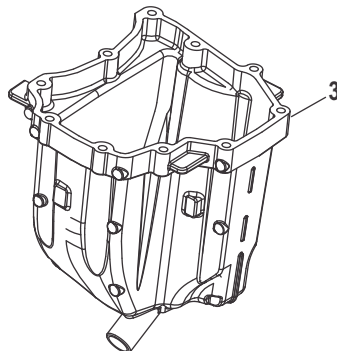
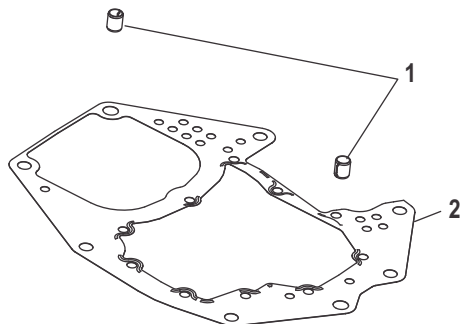
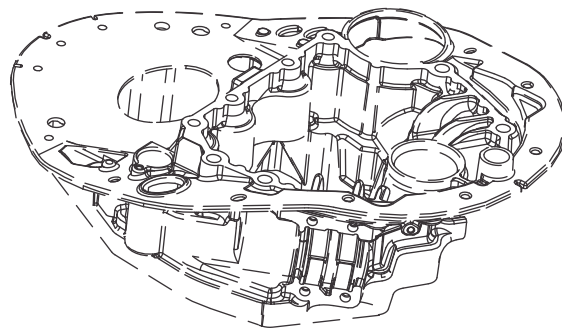
## Cylinder Block

Ref #	Part Class	Part Number	Description	Comments	Qty	Note
1	0800	8M0091361	CYLINDER BLOCK ASSEMBLY		1	
2		NSS	NOT SOLD SEPARATE		1	
3	0017	893540	PIN Dowel, 8x12 long		4	
4	0010	8M0059955	SCREW (M10 X 1.5 X 110)		10	
5	0000	8M0060353	OIL DIPSTICK ASSEMBLY		1	
6	0019	8M0047995	PLUG (18 MM)		1	
7	0019	8M0048146	PLUG (10MM)		2	
8	0019	8M0047997	PLUG (30 MM)		1	
9	0010	895810050	SCREW (M8 x 50)		10	
10	0000	8M0090808	OIL PUMP ASSEMBLY		1	
11	0025	8M6001577	O-RING M6 X 46		1	
-	0000	8M0090807	OIL PICKUP ASSEMBLY		1	
12	0000	8M0048484	OIL PICKUP TUBE ASSEMBLY		1	
13	0054	8M6000385	CLAMP (39.6 MM)		1	
14	0032	8M0078615	HOSE - OIL PICKUP		1	
15	0054	8M6003156	CLAMP (34 mm)		1	
16	0030	8M6002402	BEARING - THRUST		2	
17	0010	88552545	SCREW (M6 x 45 MM) Stainless Steel		4	
-	0061	8M0059003	LONG BLOCK ASSEMBLY	115, 80 Jet [2B192012] & Below	1	
-	0061	8M0122427	LONG BLOCK ASSEMBLY	115, 80 Jet [2B192013] & Up	1	[1]
-	0061	8M0058847	LONG BLOCK ASSEMBLY (75 -100 HP)		1	[2]
-	0061	8M0090765	SHORT BLOCK ASSEMBLY		1	[3]

## PART NOTES:

- [1] - Alternate part numbers:  
8M0122427QS  
8M0128566Reman
- [2] - Alternate part numbers:  
8M0058847QS  
8M0166625Reman
- [3] - Alternate part numbers:  
8M0090765QS  
8M0128564Reman

Oil Sump

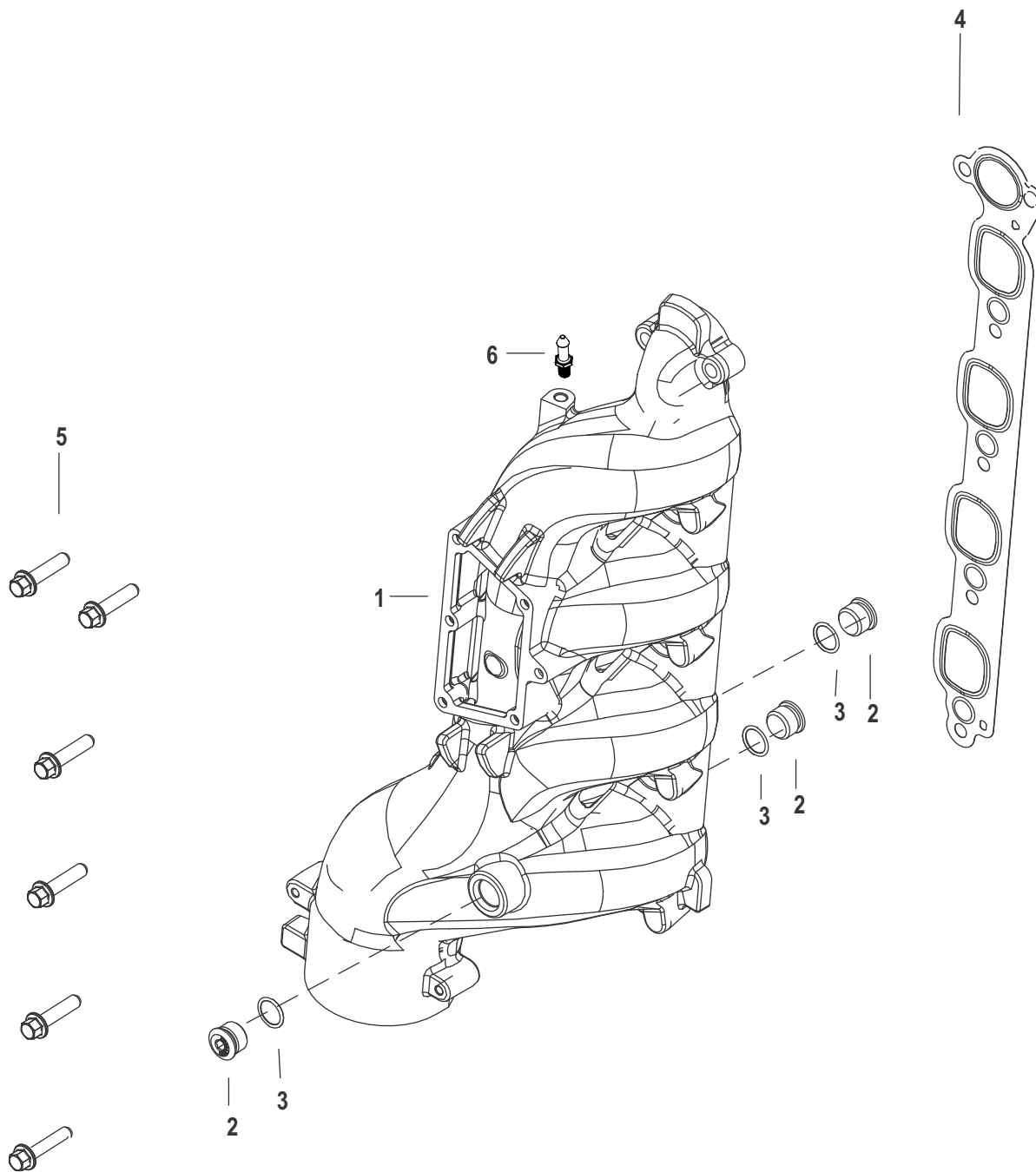


55136

**Oil Sump**

Ref #	Part Class	Part Number	Description	Comments	Qty	Note
1	0017	821327	PIN Dowel		2	
2	0027	8M0078540	GASKET		1	
3	0000	8M0091528	OIL SUMP		1	
4	0010	88552540	SCREW (M6 x 40 MM) Stainless Steel		10	
5	0019	8M0064964	OIL PLUG ASSEMBLY		1	
6	0025	85045	O-RING (.551 x .070)		1	
7	0025	62706	O-RING (.426 x .070)		1	
8	0025	8M0036228	O-RING (8.1 X 1.6)		1	
9	0000	8M0068703	GROMMET		1	

# Exhaust Manifold



55137



Cat.# 90-8M0087973

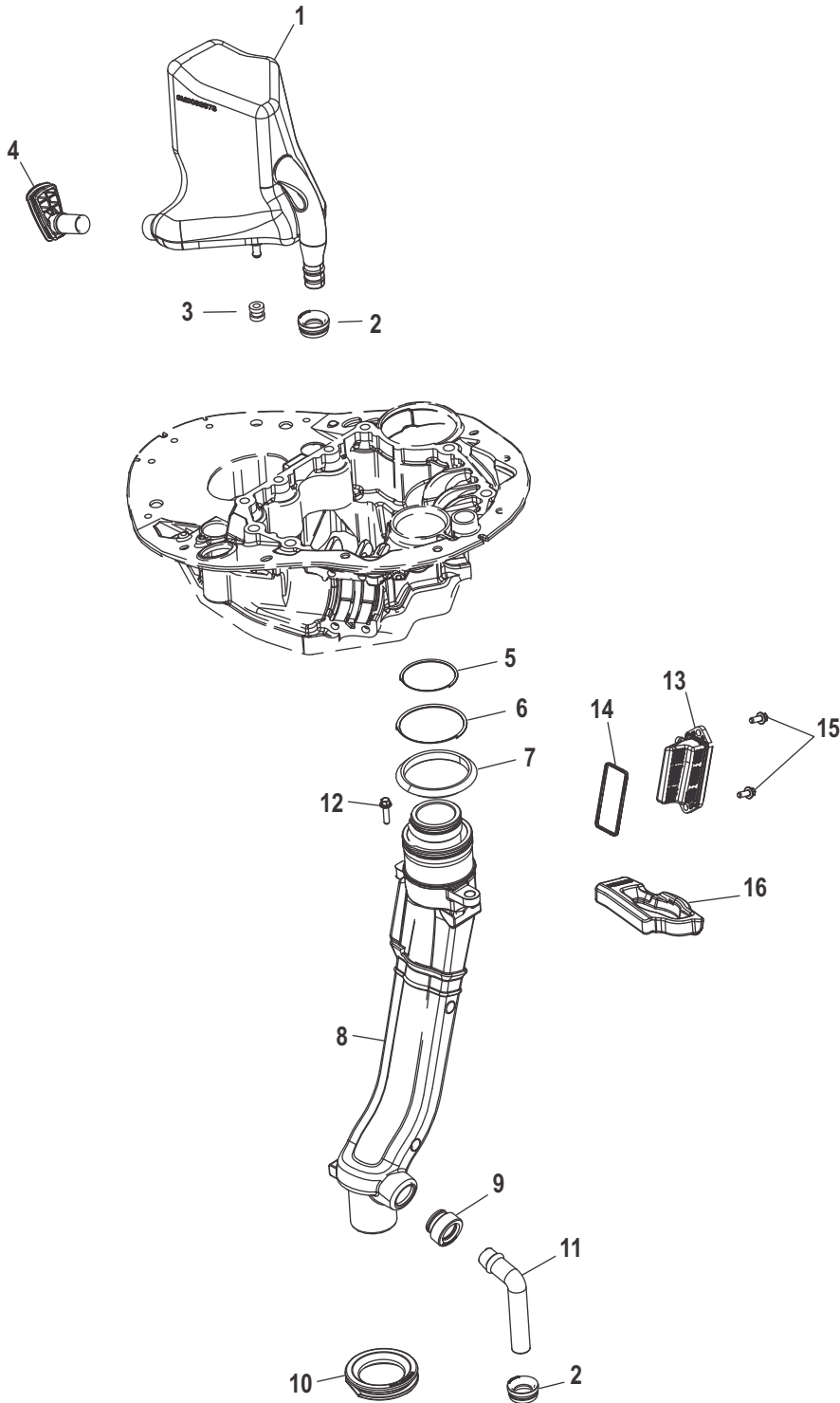
## Exhaust Manifold

Ref #	Part Class	Part Number	Description	Comments	Qty	Note
1	0000	8M0090823	EXHAUST MANIFOLD ASSEMBLY		1	
2	0019	8M0047995	PLUG (18 MM)		3	
3		NSS	NOT SOLD SEPARATE O-RING		3	
4	0027	8M0090822	GASKET		1	
5	0010	88552635	SCREW (M8 x 35 MM)		6	
6	0017	8M0062044	PIN Mounting		1	

---

Exhaust Manifold

Exhaust

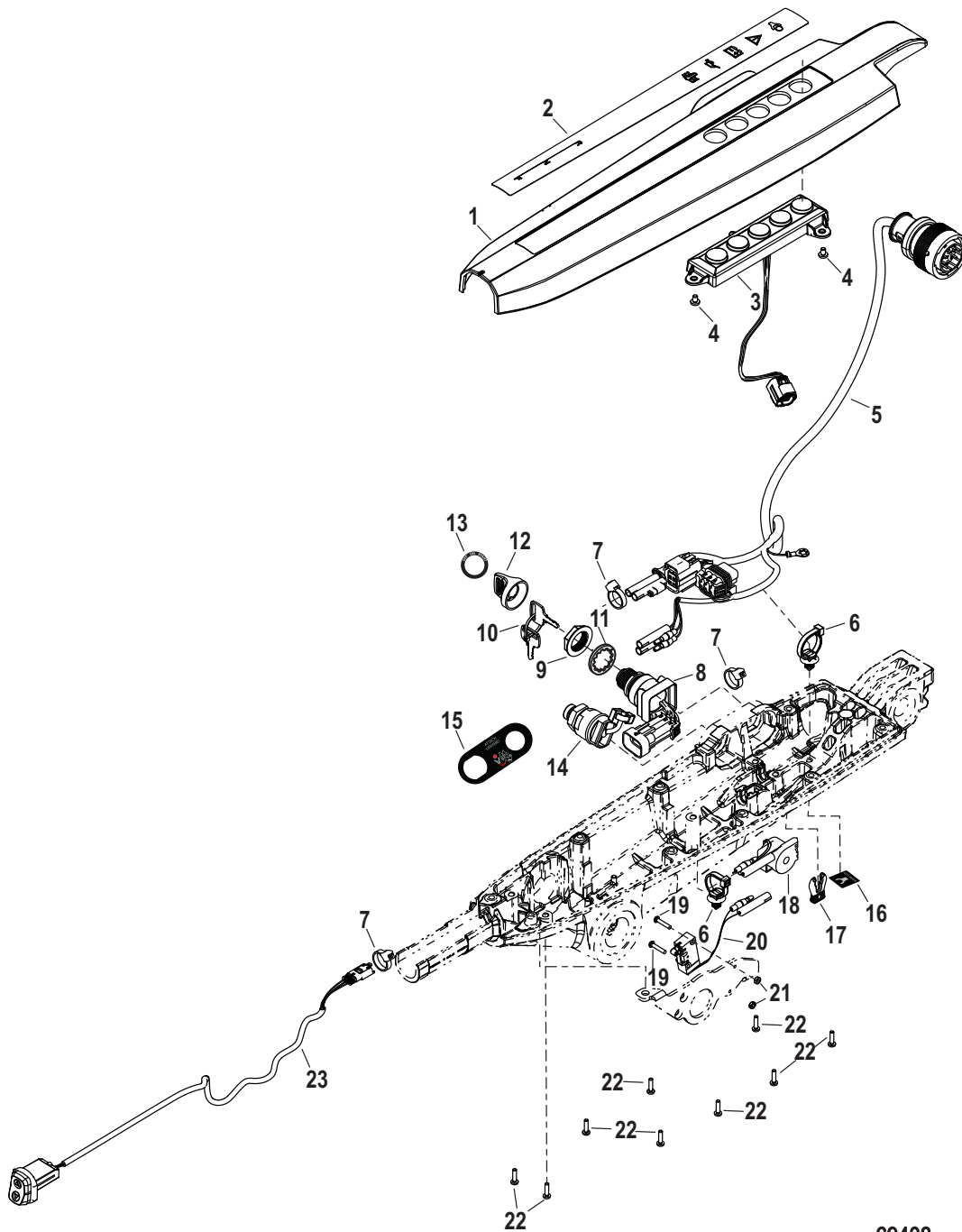


55139

## Exhaust

Ref #	Part Class	Part Number	Description	Comments	Qty	Note
1	0042	8M0088068	MUFFLER Idle Relief		1	
2	0025	8M0035476	GROMMET Water Tube		2	
3	0025	821555001	GROMMET		1	
4	0025	8M0085666	GROMMET		1	
5	0025	8M0053512	O-RING		1	
6	0025	38106	O-RING		1	
7	0025	8M0056686	SEAL		1	
8	0000	8M0091529	EXHAUST PIPE		1	
9	0000	8M0034043	GROMMET Water Tube		1	
10	0025	8M0057218	GROMMET		1	
11	0032	8M0060404	TUBE Water, Long		1	
12	0010	88552525	SCREW (M6 x 25 MM) Stainless Steel		1	
13	0000	8M0060392	STRAINER ASSEMBLY		1	
14	0000	8M0043365	SEAL Strainer		1	
15	0010	88552516	SCREW (M6 x 16 MM) Stainless Steel		2	
16	0000	8M0056684	SEAL		1	

# Tiller Handle Cover and Electrical (Mid Mount SeaPro)



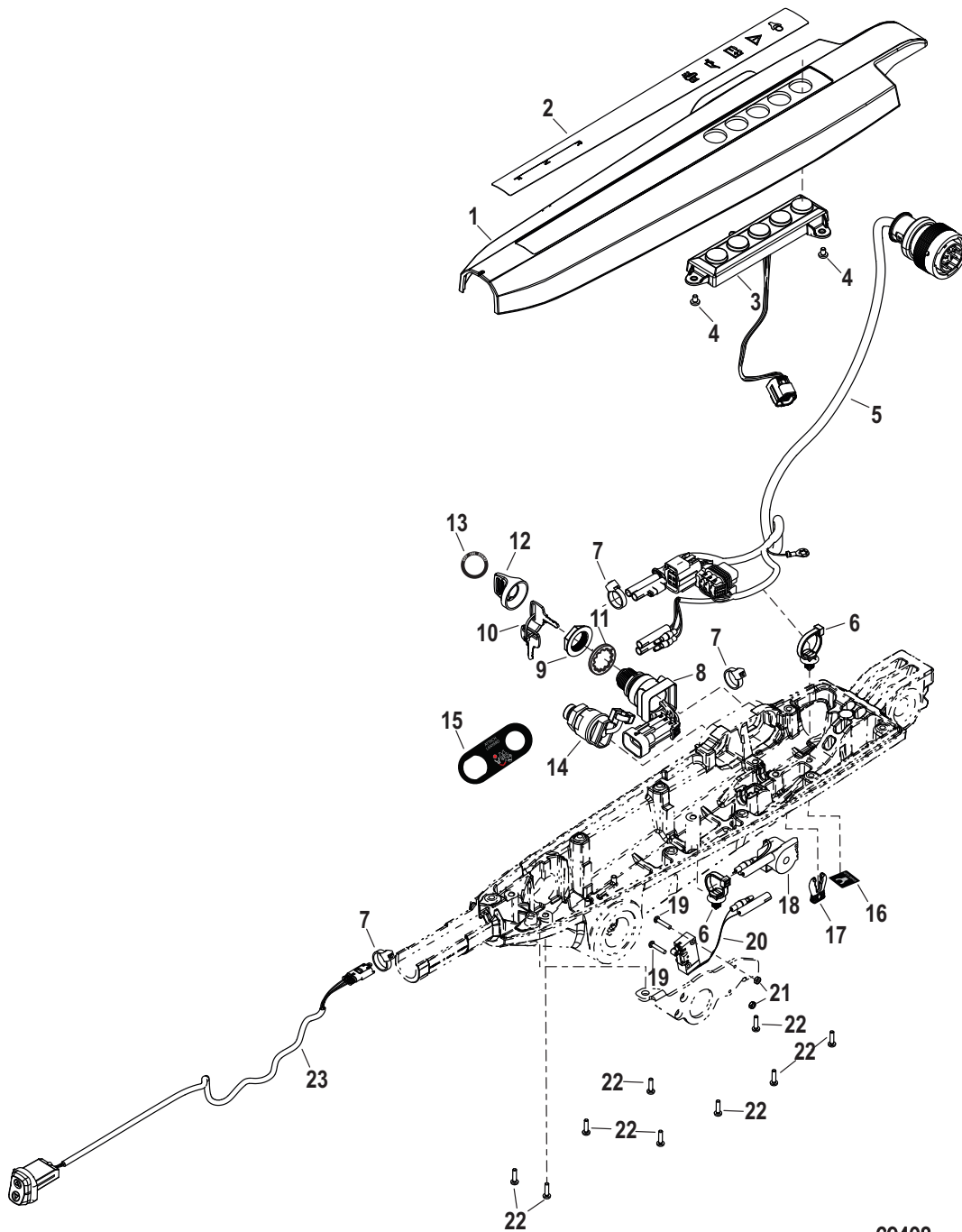
69408

## Tiller Handle Cover and Electrical (Mid Mount SeaPro)

Ref #	Part Class	Part Number	Description	Comments	Qty	Note
1	0000	8M0161144	COVER Tiller Handle (SeaPro)		1	
2	0037	8M0161140	DECAL Tiller Handle		1	
3	0000	8M0161363	DISPLAY No Troll Control		1	
4	0010	8M0161141	SCREW M4x0.7x6.0		6	
5	0084	8M0161121	HARNESSE ASSEMBLY		1	
6	0054	8M0161118	CLIP Cable Tie		2	
7	0054	816311T	TIE STRAP (8.00 Inches)		3	
8	0087	897716K01	SWITCH KIT Ignition (3 Position) With Keys		1	
9	0011	897716001	NUT Plastic-Key Switch		1	
10	0087	897716451	KEY SET Ignition (451) with Mercury Logo		1	
10	0087	897716457	KEY SET Ignition (457) with Mercury Logo		1	
10	0087	897716460	KEY SET Ignition (460) with Mercury Logo		1	
10	0087	897716461	KEY SET Ignition (461) with Mercury Logo		1	
10	0087	897716462	KEY SET Ignition (462) with Mercury Logo		1	
10	0087	897716463	KEY SET Ignition (463) with Mercury Logo		1	
10	0087	897716821	KEY SET Ignition (821) with Mercury Logo		1	
10	0087	897716830	KEY SET Ignition (830) with Mercury Logo		1	
10	0087	897716831	KEY SET Ignition (831) with Mercury Logo		1	
10	0087	897716832	KEY SET Ignition (832) with Mercury Logo		1	
10	0087	897716841	KEY SET Ignition (841) with Mercury Logo		1	
10	0087	897716847	KEY SET Ignition (847) with Mercury Logo		1	
10	0087	897716850	KEY SET Ignition (850) with Mercury Logo		1	
10	0087	897716851	KEY SET Ignition (851) with Mercury Logo		1	
10	0087	897716852	KEY SET Ignition (852) with Mercury Logo		1	
10	0087	897716853	KEY SET Ignition (853) with Mercury Logo		1	
11	0013	76629	LOCKWASHER Internal Tooth (.750)		1	
12	0019	8M0161143	CAP Key		1	
13	0000	899203	DECAL On/Off/Start		1	
14	0000	8M0161120	SWITCH LANYARD ASSEMBLY		1	
15	0037	8M0161296	DECAL Attach Lanyard		1	
16	0037	8M0161295	DECAL Spare Clip		1	
17	0000	8M0138447	CLIP Lanyard Fork, Spare		1	
18	0084	8M0144930	ALARM ASSEMBLY Audio Warning		1	
19	0010	8M0034874	SCREW (M3 x 0.5)		2	

Tiller Handle Cover and Electrical (Mid Mount SeaPro)

# Tiller Handle Cover and Electrical (Mid Mount SeaPro)



69408

**Cat.# 90-8M0087973**

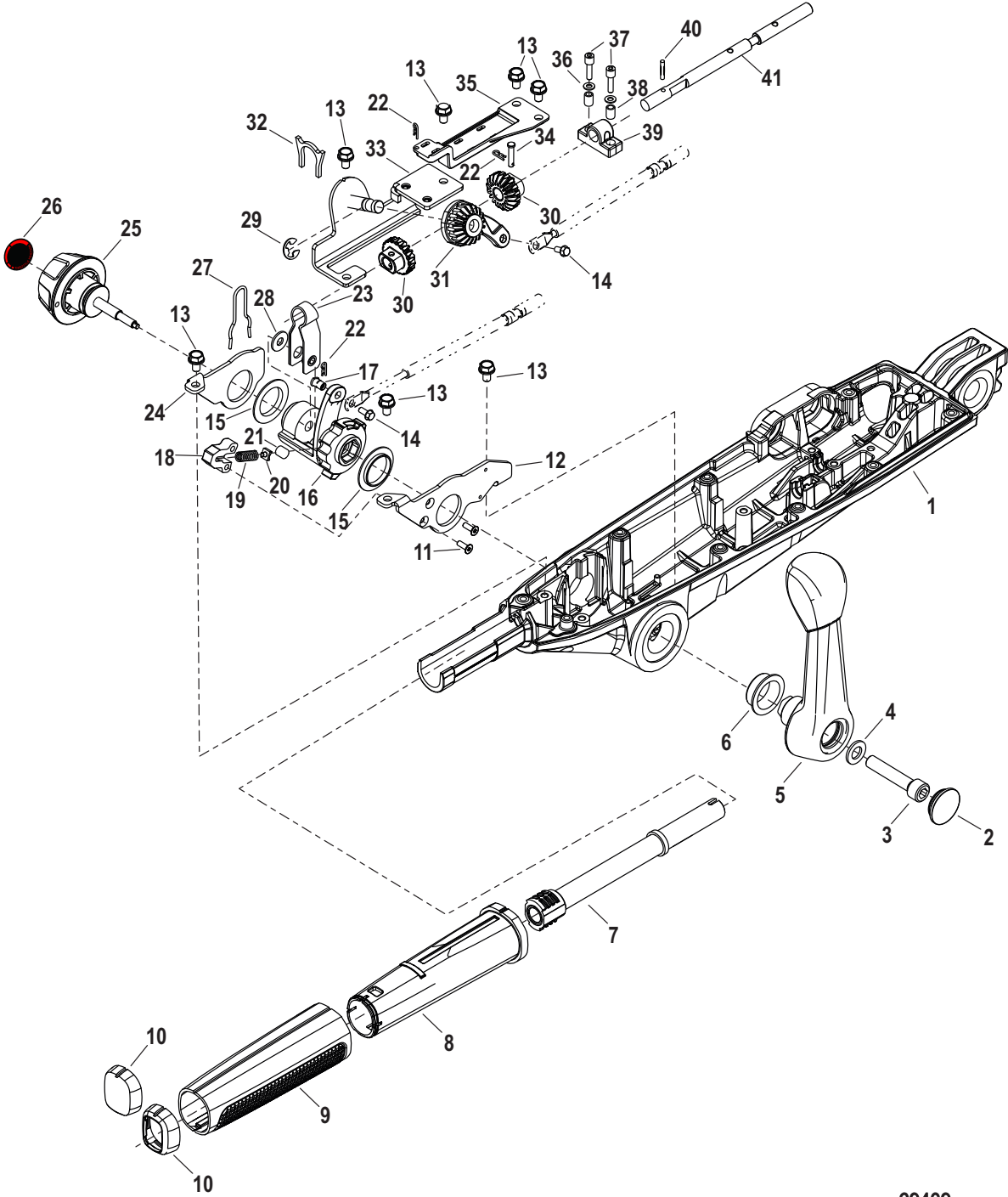
## Tiller Handle Cover and Electrical (Mid Mount SeaPro)

Ref #	Part Class	Part Number	Description	Comments	Qty	Note
20	0087	8M0161116	NEUTRAL SWITCH		1	
21	0011	8M0034875	NUT (M3 x 0.5 Hex)		2	
22	0010	4001987	SCREW (M4 x 16)		9	
23	0000	8M0161119	TRIM SWITCH ASSEMBLY		1	

---

Tiller Handle Cover and Electrical (Mid Mount SeaPro)

Tiller Handle Shift and Throttle Components (Mid Mount SeaPro)



69409

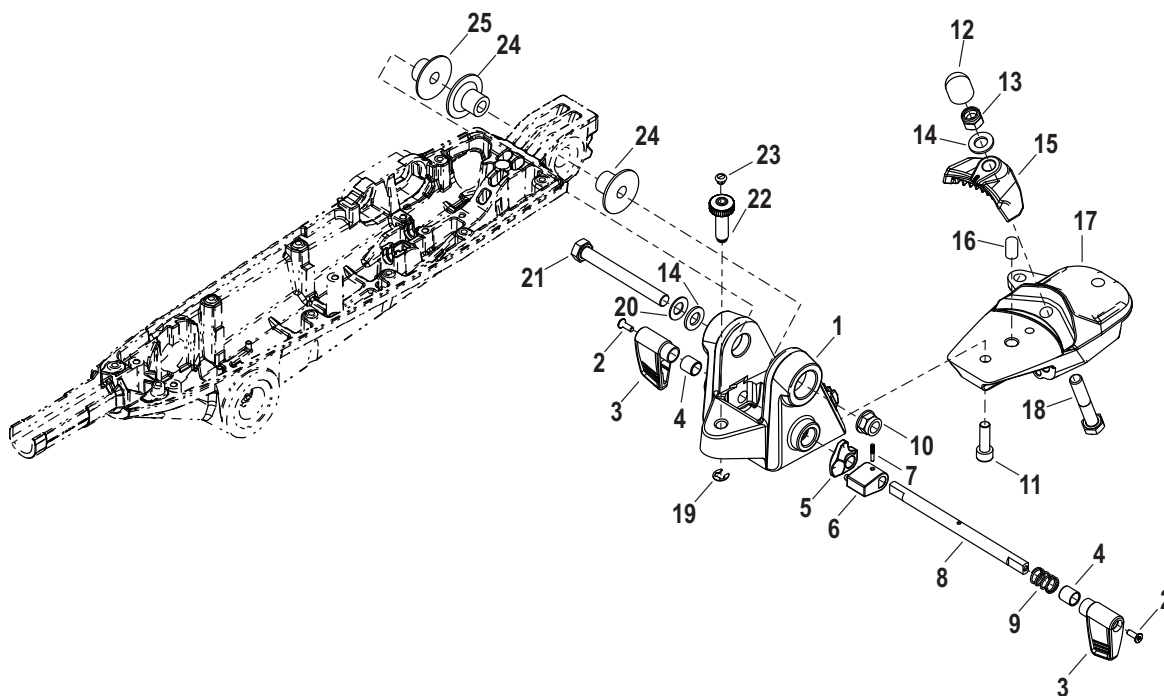


## Tiller Handle Shift and Throttle Components (Mid Mount SeaPro)

Ref #	Part Class	Part Number	Description	Comments	Qty	Note
1	0000	8M0161094	CHASSIS Tiller		1	
2	0000	8M0161107	COVER Shift Handle		1	
3	0010	8M0161106	SCREW		1	
4	0012	4002319	WASHER		1	
5	0000	8M0161105	SHIFT HANDLE ASSEMBLY		1	
6	0023	8M0161110	FLANGE BUSHING		1	
7	0000	8M0161126	THROTTLE TUBE		1	
-	0098	8M0166001	GRIP ASSEMBLY		1	
8		NSS	NOT SOLD SEPARATE INNER GRIP		1	
9		NSS	NOT SOLD SEPARATE OUTER GRIP		1	
10	0019	8M0161124	BEZEL Power Trim Switch		1	
10	0000	8M0161145	BEZEL No Power Trim Switch	Sea Pro	1	
11	0010	8M0161104	SCREW M4X0.7X12, SOC FLAT HD		2	
12	0000	8M0161109	BRACKET Shift Mounting		1	
13	0010	8M0161113	SCREW M6X1.0X10		7	
14	0010	8M0085515	SCREW (#8 - 32 x .375)		2	
15	0023	8M0161111	FLANGE BUSHING		2	
16	0000	8M0161108	SHIFT LEVER		1	
17		NSS	NOT SOLD SEPARATE STUD		1	
18	0000	8M0161114	DETENT ASSEMBLY		1	
19		NSS	NOT SOLD SEPARATE SPRING		1	
20		NSS	NOT SOLD SEPARATE GUIDE		1	
21		NSS	NOT SOLD SEPARATE ROLLER		1	
22	0018	26811	COTTER PIN		3	
23	0054	8M0161131	FRICTION CLAMP		1	
24	0000	8M0161112	BRACKET Shift Mounting		1	
25	0000	8M0161137	FRICTION KNOB		1	
26	0037	8M0161138	DECAL Throttle Friction		1	
27	0018	8M0161136	COTTER PIN		1	
28	0012	4002316	WASHER (6.60 X 17.0 X 1.5SS)		1	
29	0053	29641	E RING		1	
30	0043	8M0161258	PINION		2	
31	0043	8M0161139	THROTTLE GEAR ASSEMBLY		1	
32	0054	8M0161125	CLAMP		1	
33	0000	8M0161130	THROTTLE BRACKET		1	
34	0017	8M0161128	PIN Clevis		1	
35	0000	8M0161115	BRACKET HARNESS		1	
36	0012	8M0161134	WASHER		2	
37	0010	8M0161135	SCREW M4x16		2	
38	0023	8M0161133	BUSHING		2	
39	0000	8M0161132	PILLOW SUPPORT		1	
40	0017	8M0161127	PIN Split Lock		1	
41	0000	8M0161129	THROTTLE SHAFT		1	

Tiller Handle Shift and Throttle Components (Mid Mount SeaPro)

# Tiller Handle Rear Bracket Assembly (Mid Mount SeaPro)

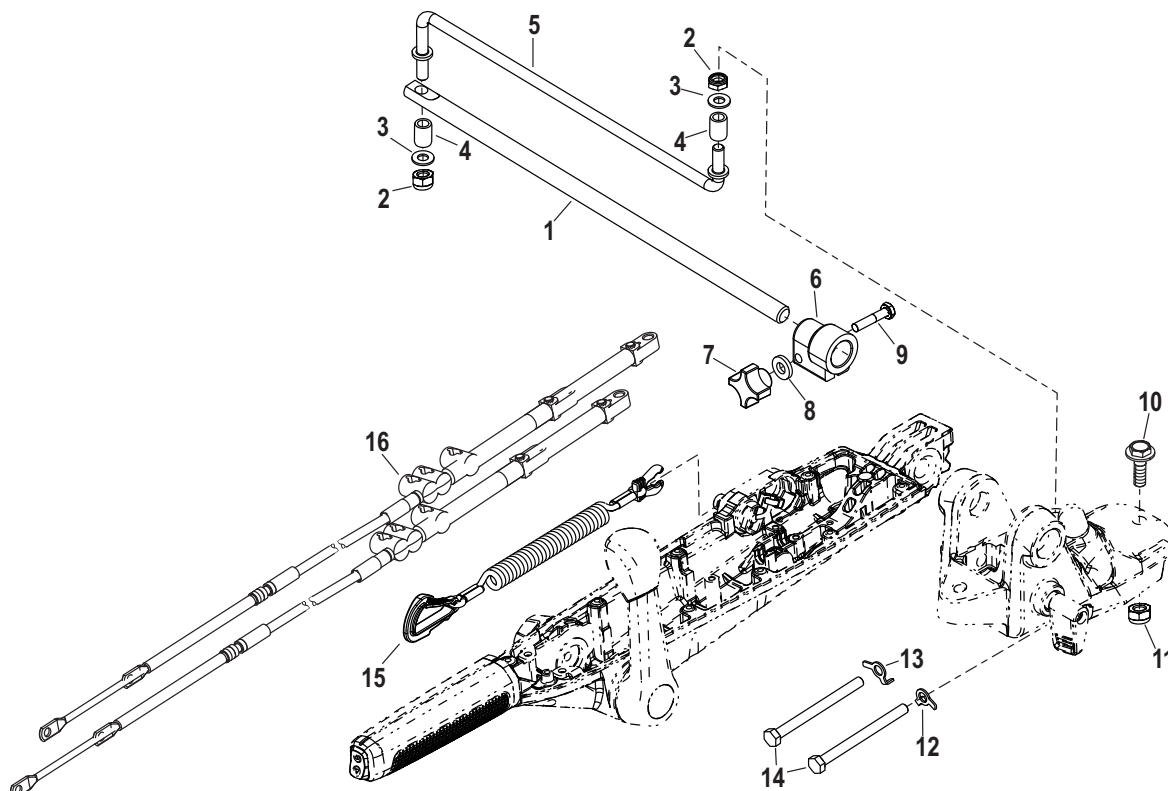


69411

## Tiller Handle Rear Bracket Assembly (Mid Mount SeaPro)

Ref #	Part Class	Part Number	Description	Comments	Qty	Note
1	0000	8M0161096	BRACKET Rear Assembly with Tilt Lock		1	
2	0010	8M0161104	SCREW M4X0.7X12, SOC FLAT HD		2	
3	0000	8M0161103	LEVER Tilt		2	
4	0023	8M0161099	BUSHING Bearing		2	
5	0000	8M0161683	DENT CAM Tilt		1	
6	0000	8M0161684	LOCKING TAB		1	
7	0017	8M0161687	GROOVED PIN		1	
8	0000	8M0161686	TILT SHAFT		1	
9	0024	8M0161685	SPRING Compression		1	
10	0011	826292	NUT (M10) Brass/Nickel Plated		1	
11	0010	8M0136052	SCREW		1	
12	0011	8M0136057	NUT Cap		1	
13	0011	40140	NUT (M10)		1	
14	0012	4002319	WASHER		2	
15	0000	8M0161098	CLAMP Toe		1	
16	0017	43044	PIN Dowel - Without Hole (.375 x .625)		1	
17	0000	8M0161147	LOWER BRACKET		1	
18	0010	8M0136054	BOLT		1	
19	0000	8M0136060	E RING		1	
20	0012	12024	WASHER (.402 x .787 x .039 Bellevi)		1	
21	0010	8M0161101	SCREW M10 X 1.5 HEX HD S.S		1	
22	0010	8M0161102	SCREW Adjustment		1	
23	0000	8M0051399	STOPPER		1	
24	0023	8M0161100	BUSHING		2	
25	0023	8M0031370	BUSHING		1	

# Tiller Handle Kit Components (Mid Mount SeaPro)

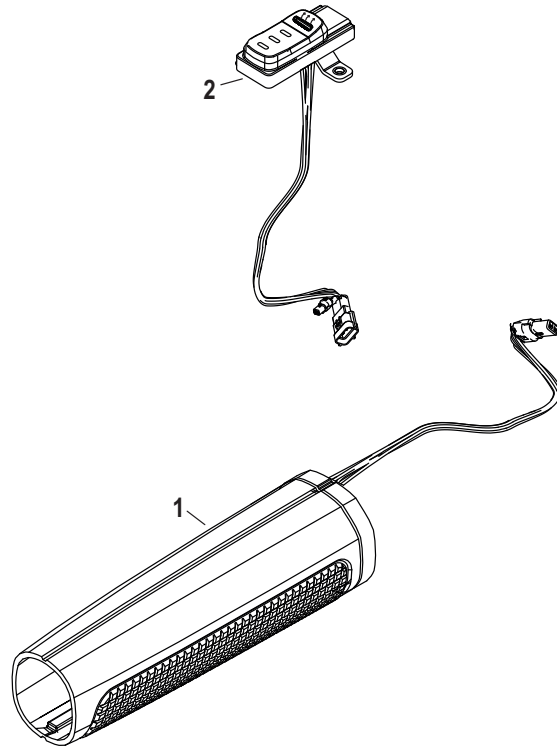


69473

## Tiller Handle Kit Components (Mid Mount SeaPro)

Ref #	Part Class	Part Number	Description	Comments	Qty	Note
-	0056	52148A08	CO PILOT ASSEMBLY		1	
1	0000	52148002	PILOT ROD (15.00 Inches)		1	
2	0011	826709111	NUT (.312-24) Stainless Steel		2	
3	0012	8M0042642	WASHER (.323 x .562 x .063)		2	
4	0023	26841	BUSHING		2	
5	0000	873491	ROD		1	
6	0011	8M0103848	NUT ASSEMBLY		1	
7	0000	821621	KNOB Prong		1	
8	0012	77674	WASHER		1	
9	0010	56500	SCREW (.250-28 x 1.250)		1	
10	0010	875273138	SCREW (.375-24 x 1.38)		1	
11	0011	8M0042636	NUT (.375-24) Brass		1	
12	0014	8M0161159	TAB WASHER		1	
13	0014	8M0161158	TAB WASHER		1	
14	0010	8M0161157	SCREW		2	
15	0000	8M0124369	LANYARD ASSEMBLY 54 in		1	
16	0000	8M0161150	SHIFT AND THROTTLE CABLE KIT 65-115 Standard		1	

Heated Grip



71563

Cat.# 90-8M0087973

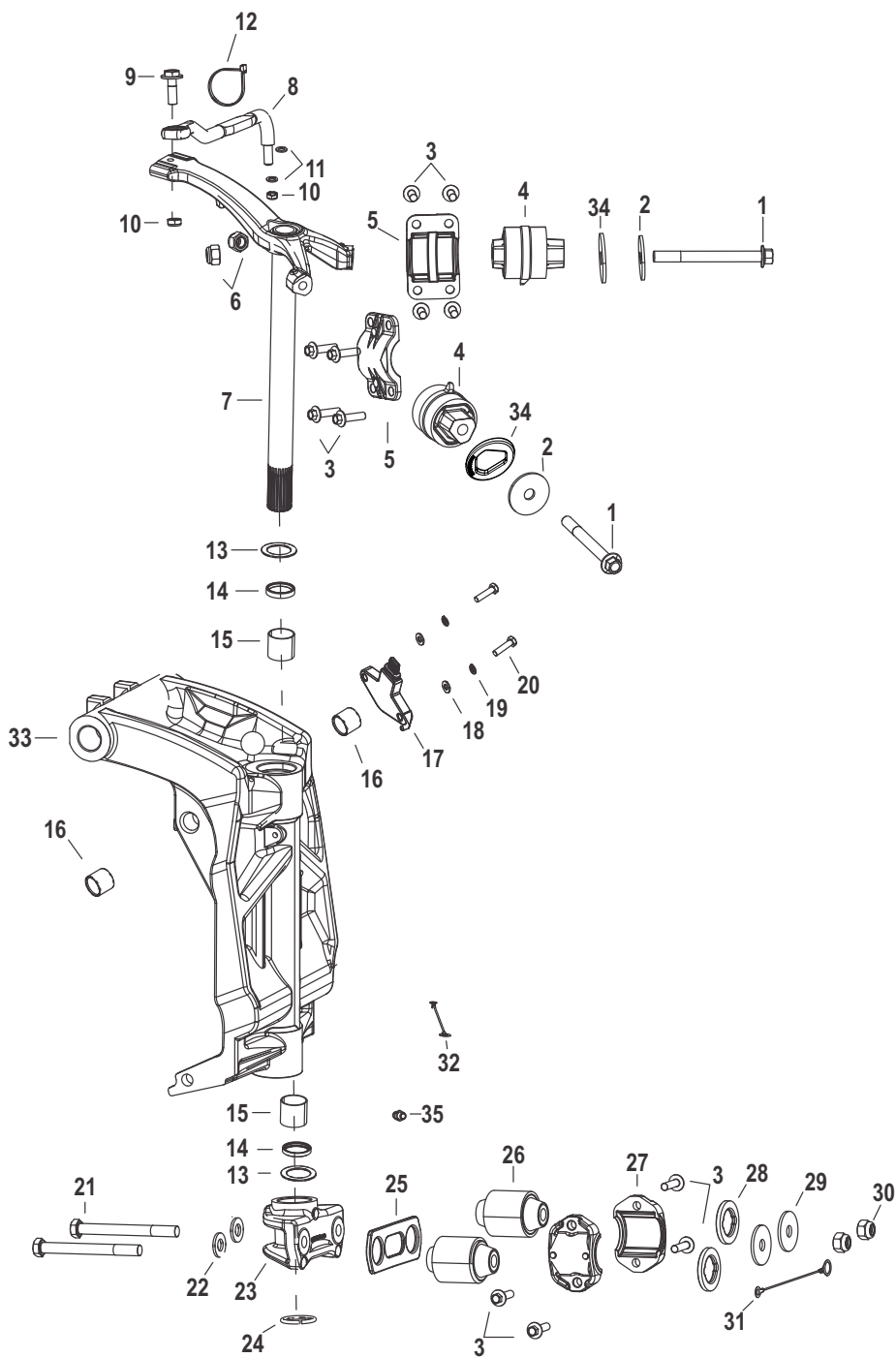
## Heated Grip

Ref #	Part Class	Part Number	Description	Comments	Qty	Note
-	0000	8M0158400	HEATED GRIP KIT		1	
1	0000	8M0158048	GRIP ASSEMBLY Heated		1	
2	0000	8M0161146	HEATED GRIP BUTTON		1	

---

Heated Grip

# Swivel Bracket and Swivel Pin

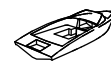
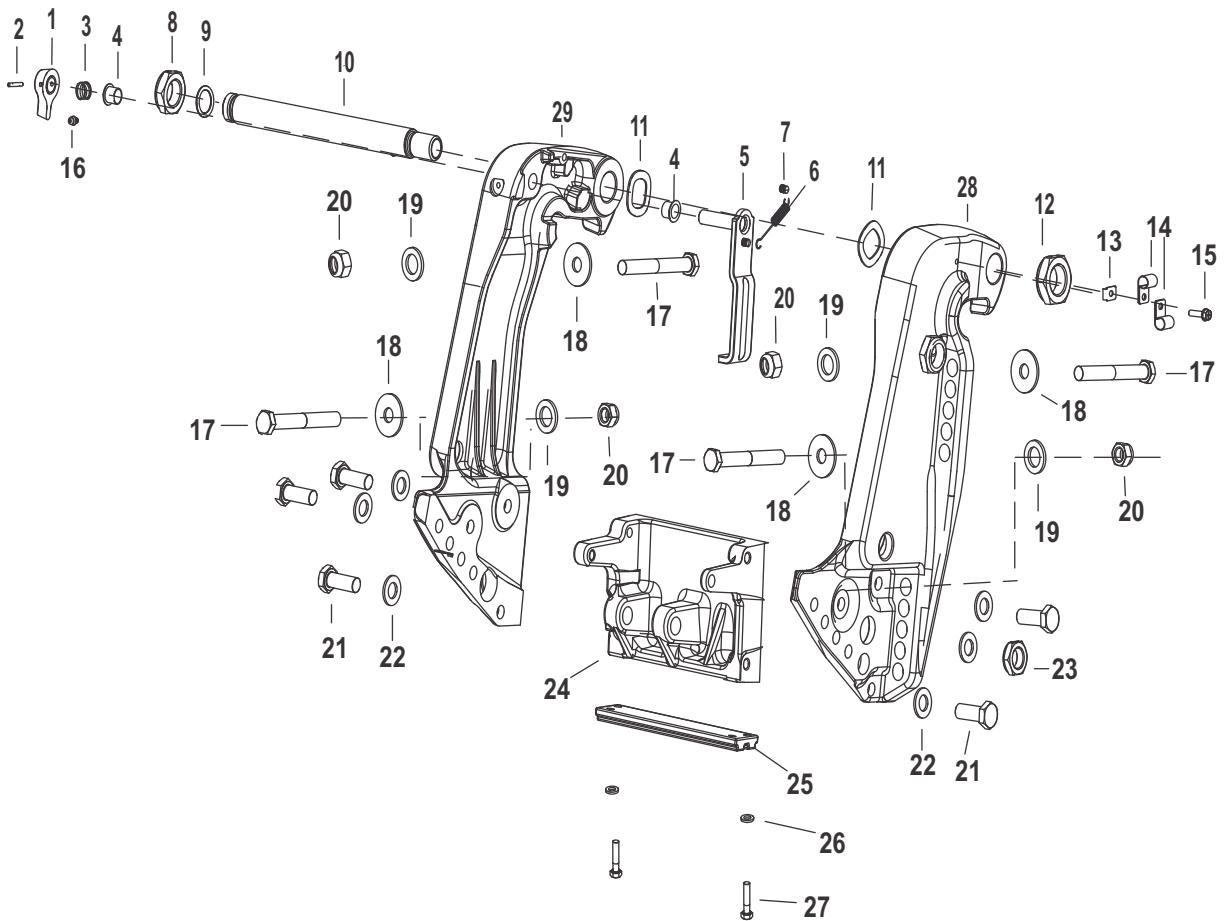




## Swivel Bracket and Swivel Pin

Ref #	Part Class	Part Number	Description	Comments	Qty	Note
1	0010	8M0088194	SCREW (M12 X 120) Hex Flg HD		2	
2	0012	8M0056839	WASHER Upper Mount Snubber		2	
3	0010	4010730	SCREW (M8 x 30)		12	
4	0000	8M0056774	UPPER MOUNT ASSEMBLY		2	
4	0000	8M0096243	MOUNTS - UPPER	SeaPro	2	
5	0000	8M0056564	COVER Upper Mount		2	
6	0011	8M0088290	NUT (M12 X 1.75) Hex		1	
7	0000	8M0091530	SWIVEL TUBE ASSEMBLY		1	
8	0000	92876A12	LINK ROD ASSEMBLY		1	
9	0010	849838	SCREW (.375-24 x 1.250)		1	
10	0011	8M0042636	NUT (.375-24) Brass		2	
11	0012	37828	WASHER (.390 x .625 x .062) Stainless Steel		2	
12	0054	816311T	TIE STRAP (8.00 Inches)		1	
13	0012	816432	THRUST WASHER		2	
14	0026	8M0034870	SEAL Swivel Tube		2	
15	0023	8M0034861	BUSHING Swivel Tube Pivot		2	
16	0023	821207	BUSHING		2	
17	0000	8M0094923	SENSOR ASSEMBLY Trim		1	
18	0012	89302	WASHER (.203 x .406 x .040)		2	
19	0013	26996	LOCKWASHER (#10) Stainless Steel		2	
20	0010	852368	SCREW (#10-24 x .750)		2	
21	0010	40003111	SCREW (M12 x 120) Hex HD		2	
22	0012	8M0157383	WASHER (26.9 MM x 13.5 MM x 2.7)		2	
23	0000	8M0091533	YOKE Bottom		1	
24	0053	67684	RING Retaining		1	
25	0000	8M0084888	SNUBBER		1	
26	0000	8M0056573	LOWER MOUNT ASSEMBLY		2	
27	0000	8M0056181	COVER Lower Mount		2	
28	0012	8M0082052	WASHER Snubber		2	
29	0012	8M0075817	WASHER (.50 X 1.75 X .125)		2	
30	0011	897926	NUT (M12), Nylon Insert		2	
31	0000	88238A20	CABLE ASSEMBLY		1	
32	0000	8M0079640	CABLE ASSEMBLY		1	
33	1400	8M0088881	SWIVEL BRACKET ASSEMBLY		1	
34	0012	8M0082326	WASHER Snubber		1	
35	0010	73286	SCREW (.250-20 x .500) Stainless Steel		1	

# Transom Bracket



55142

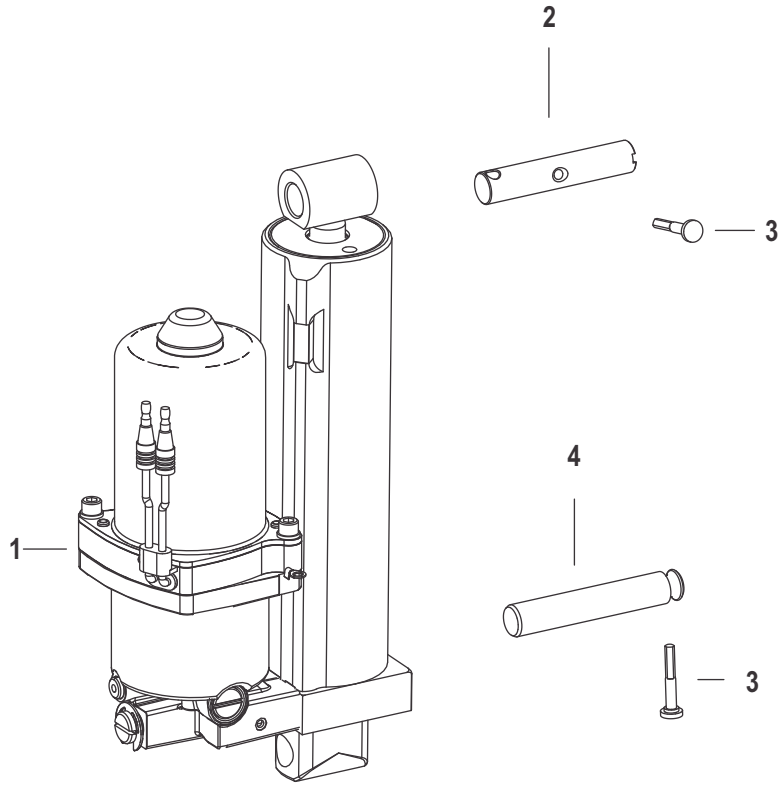
## Transom Bracket

Ref #	Part Class	Part Number	Description	Comments	Qty	Note
1	0000	99633	KNOB		1	
2	0017	99615	PIN Groove		1	
3	0024	830900	SPRING Compression		1	
4	0023	65830	NYLINER		2	
5	0000	821176T02	LEVER ASSEMBLY Tilt Lock		1	
6	0024	830899	SPRING Tension		1	
7	0017	893709	PIN		1	
8	0011	826135	NUT (1.00-14) Nylon Insert		1	
9	0025	45711	O-RING (.612 x .103)		1	
10	0000	826125A1	TILT TUBE		1	
11	0013	88750	WASHER		2	
12	0011	826164	NUT (.875-14)		1	
13	0000	69205	C WASHER		1	
14	0054	22740	CLIP		2	
15	0010	878609	SCREW (#10-16 x .600)		1	
16	0022	98727	FITTING Grease		1	
17	0010	677551	SCREW (.500-20 x 4.500)		4	
18	0012	28421	WASHER (1.5 x 3.05 x 0.13) Stainless Steel		4	
19	0012	54012	WASHER (.530 x .870 x .105) Stainless Steel		4	
20	0011	82671117	NUT (.500-20)		4	
21	0010	858771	SCREW (M10 x 30)		5	
22	0012	4002319	WASHER		6	
23	0011	40114	NUT (M10 x 1.5)		1	
24	0000	8M0086406	BRACKET Anchor		1	
25	0097	818298Q1	ANODE KIT		1	[1]
26	0012	29245	WASHER (.281 x .500 x .060) Stainless Steel		2	
27	0010	4000330	SCREW (M6 x 25)		2	
28	1400	8M0091532	TRANSOM BRACKET Starboard		1	
29	1400	8M0091531	TRANSOM BRACKET Port		1	

## PART NOTES:

- [1] - Alternate part numbers:  
818298A 1Service Part  
818298Q 1QS  
818298T 1MPP  
818298T 3Magnesium  
8M0059343Bulk Pack

# Power Trim Assembly



55143

Cat.# 90-8M0087973

## Power Trim Assembly

Ref #	Part Class	Part Number	Description	Comments	Qty	Note
1	0000	8M0090335	POWER TRIM ASSEMBLY Standard		1	
2	0017	8M0094357	PIN Shock Rod		1	
3	0017	821539	PIN Trilobe		2	
4	0017	818898	PIN Anchor		1	
-	0000	8M0100502	POWER TRIM ASSEMBLY	SeaPro-Beaching Model	1	

---

Power Trim Assembly



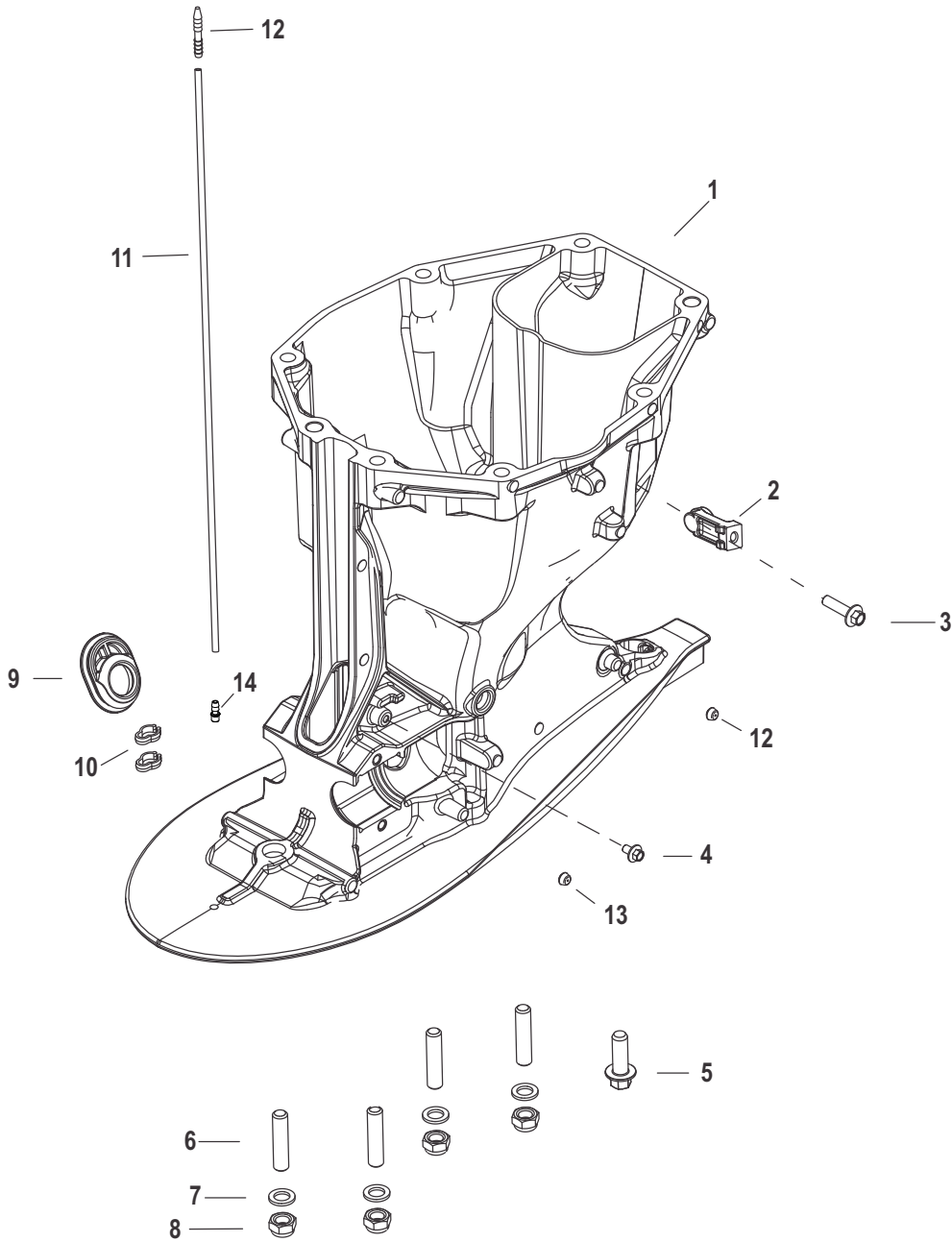
## Power Trim Assembly - Components

Ref #	Part Class	Part Number	Description	Comments	Qty	Note
1	0000	8M0089943	MANIFOLD KIT		1	
2	0000	893929A01	VALVE KIT Relief		1	
3	0000	8M0089945	VALVE KIT		1	
4	0000	8M0090404	VALVE KIT Trim Limit		1	
5		833063	O-RING		2	[1]
6		8M0055260	DOWEL PINS		3	[2]
7	0019	811613	PLUG ASSEMBLY		1	
8	0010	833047	SCREW (.250-20 x 2.250)		2	[3]
9	0000	8M0089941	CYLINDER ASSEMBLY		1	
10	0000	88238A13	CABLE ASSEMBLY Ground		1	[4]
11		8M6002690	SCREW		1	[5]
12	0000	810776A1	PISTON ASSEMBLY Memory	Non SeaPro	1	
12	0000	8M0100509	PISTON ASSEMBLY Memory	SeaPro	1	
13	0025	893902A01	O-RING KIT		1	
14	0000	8M0089942	SHOCK ROD KIT	Non SeaPro	1	
14	0000	8M0139007	SHOCK ROD KIT	SeaPro	1	
15	0010	8M0089946	SCREW KIT Complete Trim		1	
16	0000	8M0089940	MOTOR KIT		1	
17	0000	8M0090403	COUPLING Drive		1	
18	0000	8M0089944	PUMP ASSEMBLY		1	
-	0025	8M0089947	O-RING KIT Power Trim		1	
-	0098	8M0127334	POPPET SEAL KIT		1	

## PART NOTES:

- [1] - COMPONENT OF POWER TRIM MANIFOLD KIT8M0089943  
COMPONENT OF POWER TRIM VALVE KIT (TRIM LIMIT)8M0090404  
COMPONENT OF POWER TRIM CYLINDER ASSEMBLY8M0089941
- [2] - COMPONENT OF POWER TRIM MANIFOLD KIT8M0089943  
COMPONENT OF POWER TRIM CYLINDER ASSEMBLY8M0089941
- [3] - COMPONENT OF POWER TRIM MANIFOLD KIT8M0089943  
COMPONENT OF POWER TRIM CYLINDER ASSEMBLY8M0089941  
COMPONENT OF POWER TRIM SCREW KIT 8M0089946
- [4] - COMPONENT OF POWER TRIM CYLINDER ASSEMBLY8M0089941
- [5] - COMPONENT OF POWER TRIM CYLINDER ASSEMBLY8M0089941  
COMPONENT OF POWER TRIM SCREW KIT 8M0089946

# Driveshaft Housing



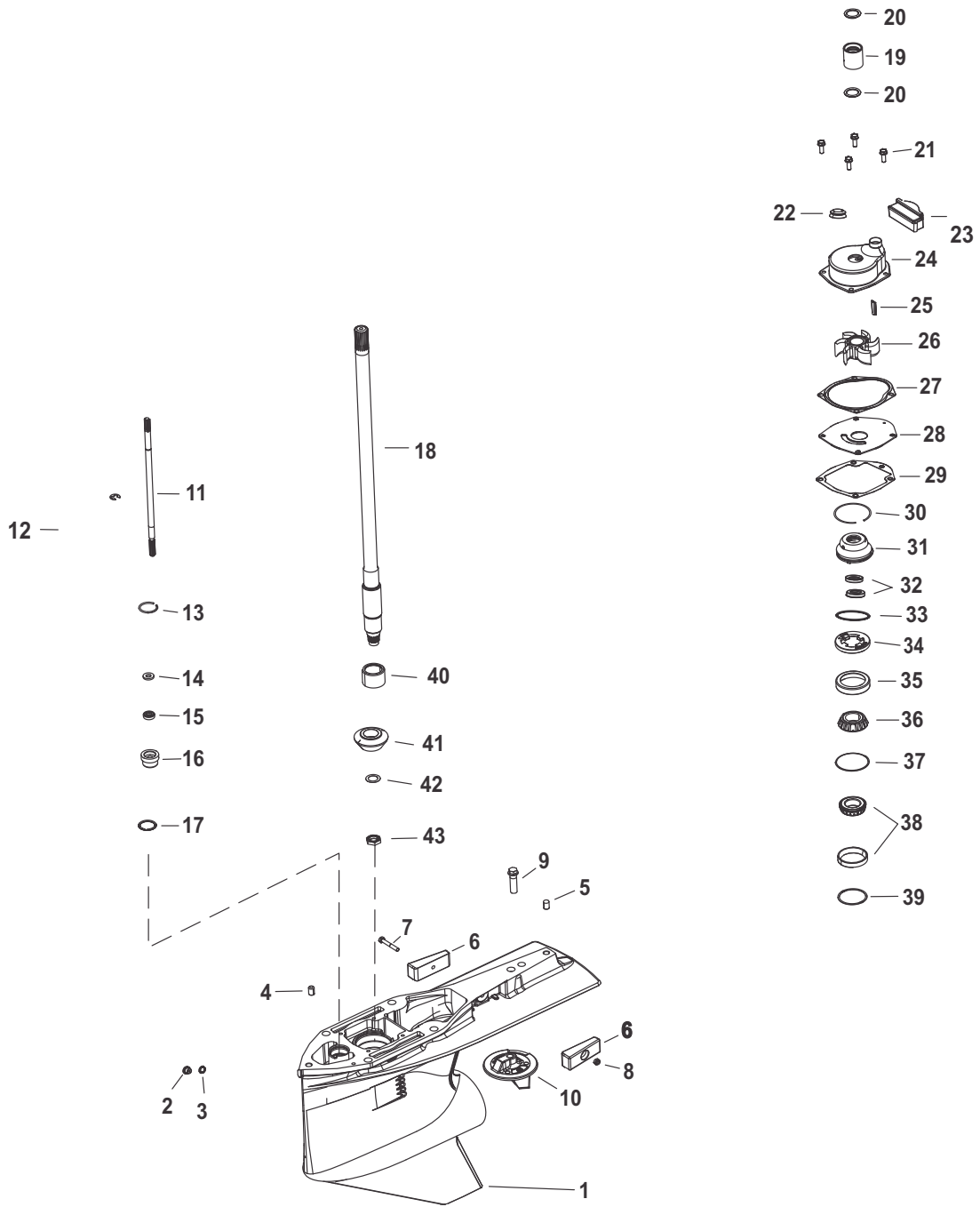
55145



## Driveshaft Housing

Ref #	Part Class	Part Number	Description	Comments	Qty	Note
1	1500	8M0091527	DRIVESHAFT HOUSING Long		1	
2	0000	8M0090787	BRACKET FSM		1	
3	0010	4010730	SCREW (M8 x 30)		1	
4	0010	4010610	SCREW (M6 x 10) Stainless Steel		1	
5	0010	8M0071178	SCREW (M12)		1	
6	0016	8M0070951	STUD (M12 x 1.75 x 52)		4	
7	0012	856982	WASHER (.500 x .810 x .090) Stainless Steel		4	
8	0011	896895	NUT (M12)		4	
9	0000	8M0068703	GROMMET		1	
10	0054	818557001	CLAMP		2	
11	0022	8M0057706	HOSE ASSEMBLY Speedometer		1	
12	0022	85822T	CONNECTOR Straight		1	
13	0000	8M0039082	CAP Chap Support		4	
14	0022	13035002	FITTING		1	

# Gear Housing, Driveshaft 2.07:1 Standard Rotation

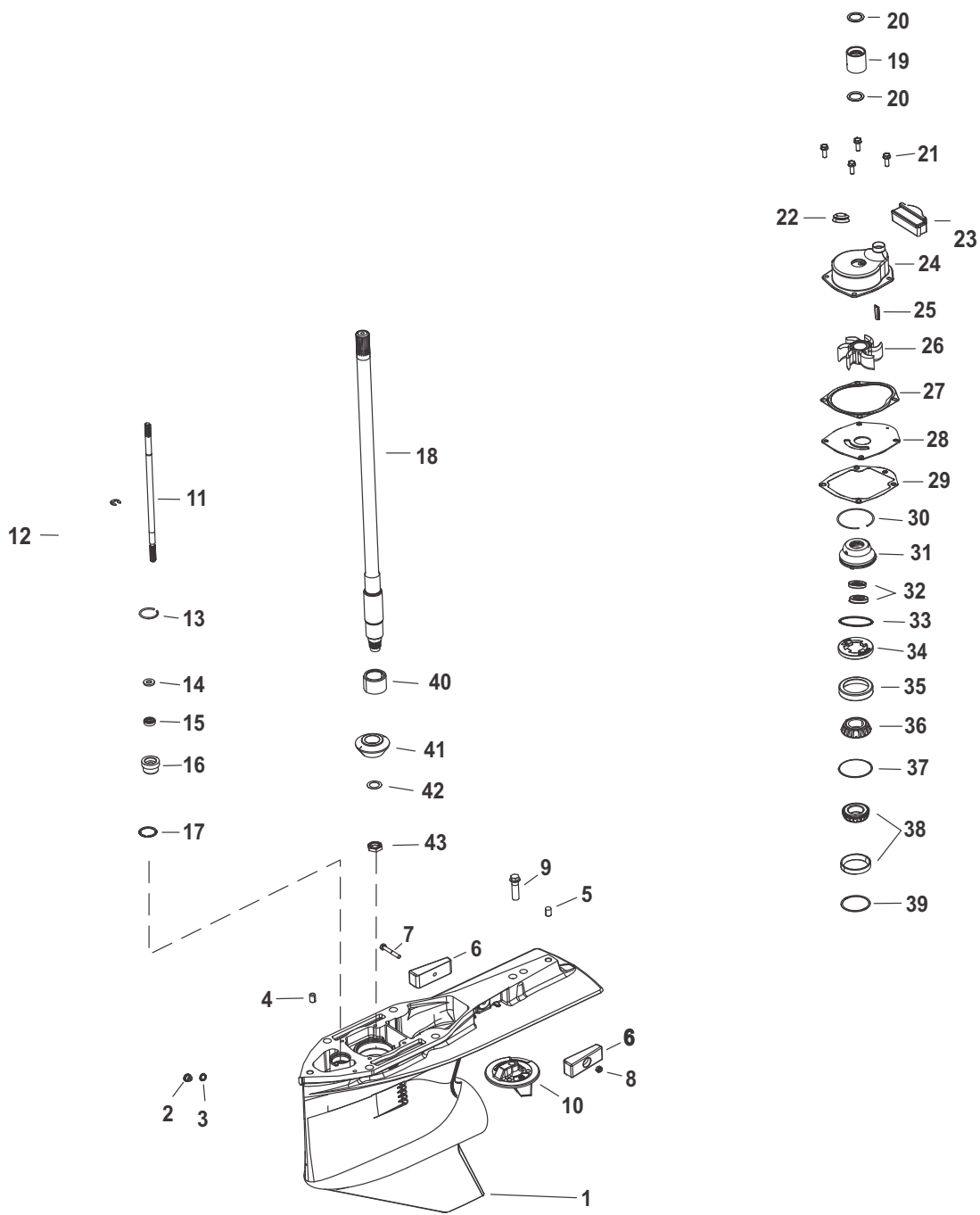


## Gear Housing, Driveshaft 2.07:1 Standard Rotation

Ref #	Part Class	Part Number	Description	Comments	Qty	Note
-	1600	8M0088072	GEARCASE Complete Long		1	
-	1600	8M0088074	GEARCASE Complete X-Long		1	
1	1600	8M0091538	GEARCASE Basic		1	
2	0010	79953A04	PLUG ASSEMBLY (.375-16 x .250)		1	
3	0026	830749	SEAL		1	[1]
4	0017	8M0084244	PIN Dowel		1	
5	0017	43044	PIN Dowel - Without Hole (.375 x .625)		1	
6	0097	826134Q	ANODE		2	[2]
7	0010	4000333	SCREW (M6 x 40)		1	
8	0011	401386	NUT (M6) Stainless Steel		1	
9	0010	806327	SCREW (.437-14 x 1.750)		1	
10	0000	8M0091534	TRIM TAB		1	
11	0000	8M0069658	SHIFT SHAFT Lower, Long		1	
11	0000	8M0053078	SHIFT SHAFT Lower, X-Long		1	
12	0053	29641	E RING		1	
13	0053	8M0029306	RING Retaining		1	
14	0012	77674	WASHER		1	
15	0026	8164641	SEAL Oil		1	[1]
16	0023	813696A2	BUSHING ASSEMBLY		1	
17	0025	45258	O-RING (.987 x .103)		1	[1]
18	0045	8M0090831	DRIVESHAFT Long		1	
18	0045	8M0094341	DRIVESHAFT X-Long		1	
19	0000	8M0036238	COUPLING Water Pump		1	
20	0025	21836	O-RING (.796 x .139)		2	
21	0010	1993720	SCREW (M6 x 20)		4	[3]
22	0026	8M2014338	SEAL Face		1	[4]
23	0000	8M0010459	FILLER BLOCK		1	
24	0000	817275A1	HOUSING KIT Water Pump		1	[3]
25	0028	8M0032833	KEY		1	[5]
26	0047	43026T2	IMPELLER		1	[6]
27	0027	8172771	GASKET		1	[4]
28	0000	8172761	FACEPLATE		1	[4]
29	0027	8M0050720	GASKET		1	[4]
30	0053	880719	RING Retaining		1	
31	0000	8M0057748	OIL SEAL CARRIER ASSEMBLY		1	[7]
32	0026	89238	SEAL Oil		2	
33	0025	896523	O-RING (2.175 x .103)		1	[1]
34	0000	853651	RETAINER		1	
35	0031	33138A1	BEARING ASSEMBLY Tapered Roller		1	
36		NSS	NOT SOLD SEPARATE		1	
37	0015	8M0063267	SHIM SET		1	
38	0031	77420A1	BEARING ASSEMBLY Roller		1	
39	0015	8M0063268	SHIM SET		1	
40	0031	8M0090828	BEARING Needle Roller		1	

Gear Housing, Driveshaft 2.07:1 Standard Rotation

# Gear Housing, Driveshaft 2.07:1 Standard Rotation



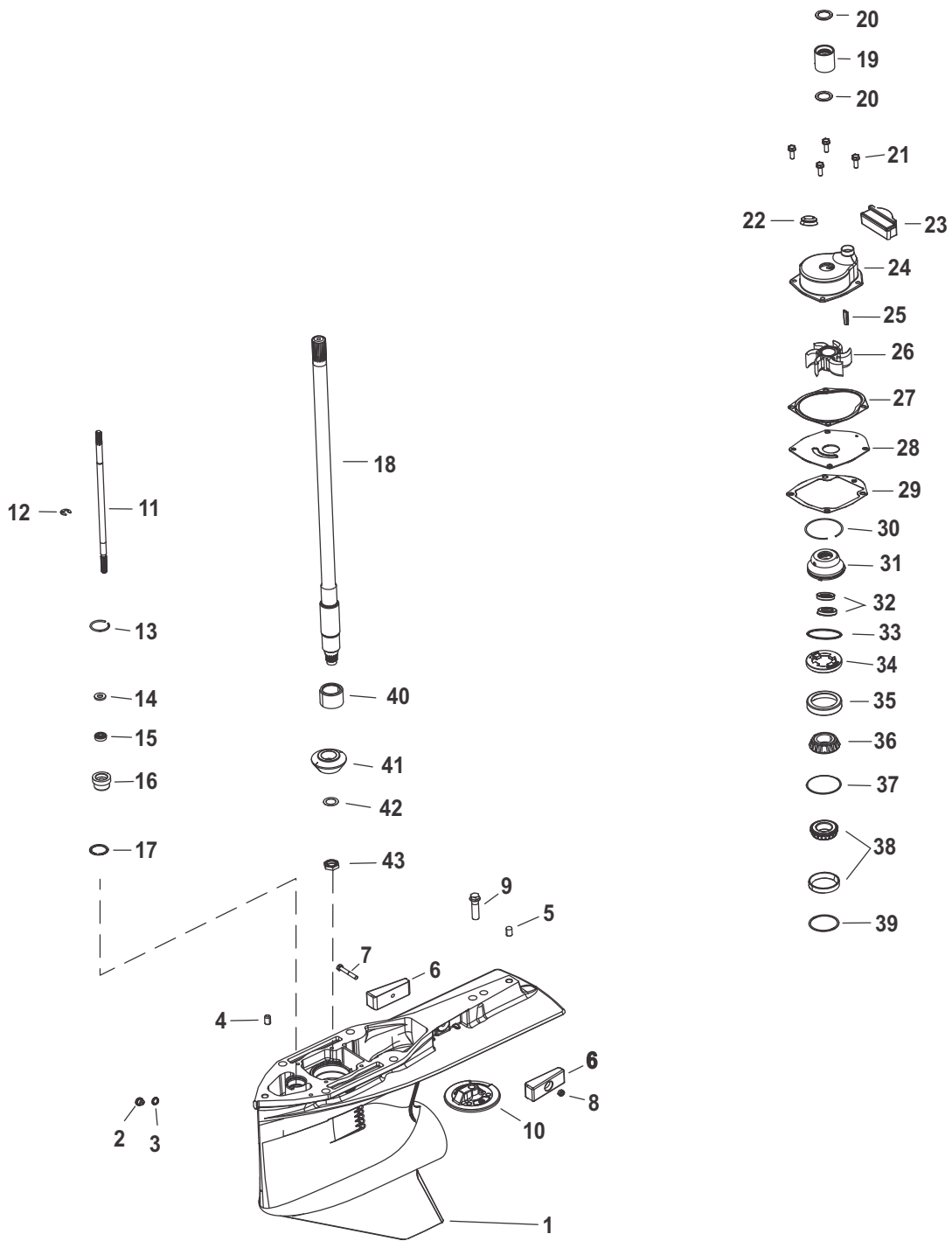
## Gear Housing, Driveshaft 2.07:1 Standard Rotation

Ref #	Part Class	Part Number	Description	Comments	Qty	Note
41		NSS	NOT SOLD SEPARATE		1	
42	0012	92721	WASHER		1	
43	0011	8M0071654	NUT (.625-18 HX)		1	
-	0000	8M0090442	SKEG		1	
-	0000	8M0094529	COMPLETE WATER PUMP REPAIR KIT		1	
-	0047	8M0094530	REPAIR KIT Water Pump Impeller		1	
-	0000	8M0088080	GEARCASE SEAL KIT		1	
-	0046	8M0061040	REPAIR KIT Water Pump-Upper		1	

**PART NOTES:**

- [1] - COMPONENT OF GEARCASE SEAL KIT 8M0088080
- [2] - Alternate part numbers:  
 826134Service Part  
 826134QQS  
 826134TMPP  
 826134T 3Magnesium  
 8M0059344Bulk Pack
- [3] - COMPONENT OF WATER PUMP REPAIR KIT 8M0094529
- [4] - COMPONENT OF WATER PUMP REPAIR KIT 8M0094529  
 COMPONENT OF IMPELLER REPAIR KIT 8M0094530  
 COMPONENT OF GEARCASE SEAL KIT 8M0088080
- [5] - COMPONENT OF WATER PUMP REPAIR KIT 8M0094529  
 COMPONENT OF IMPELLER REPAIR KIT 8M0094530
- [6] - Alternate part numbers:  
 43026Q02QS  
 43026T 2Service Part  
 COMPONENT OF WATER PUMP REPAIR KIT 8M0094529  
 COMPONENT OF IMPELLER REPAIR KIT 8M0094530
- [7] - COMPONENT OF WATER PUMP REPAIR KIT 8M0094529  
 COMPONENT OF GEARCASE SEAL KIT 8M0088080

# Gear Housing, Driveshaft 2.38:1 Standard/Counter Rotation



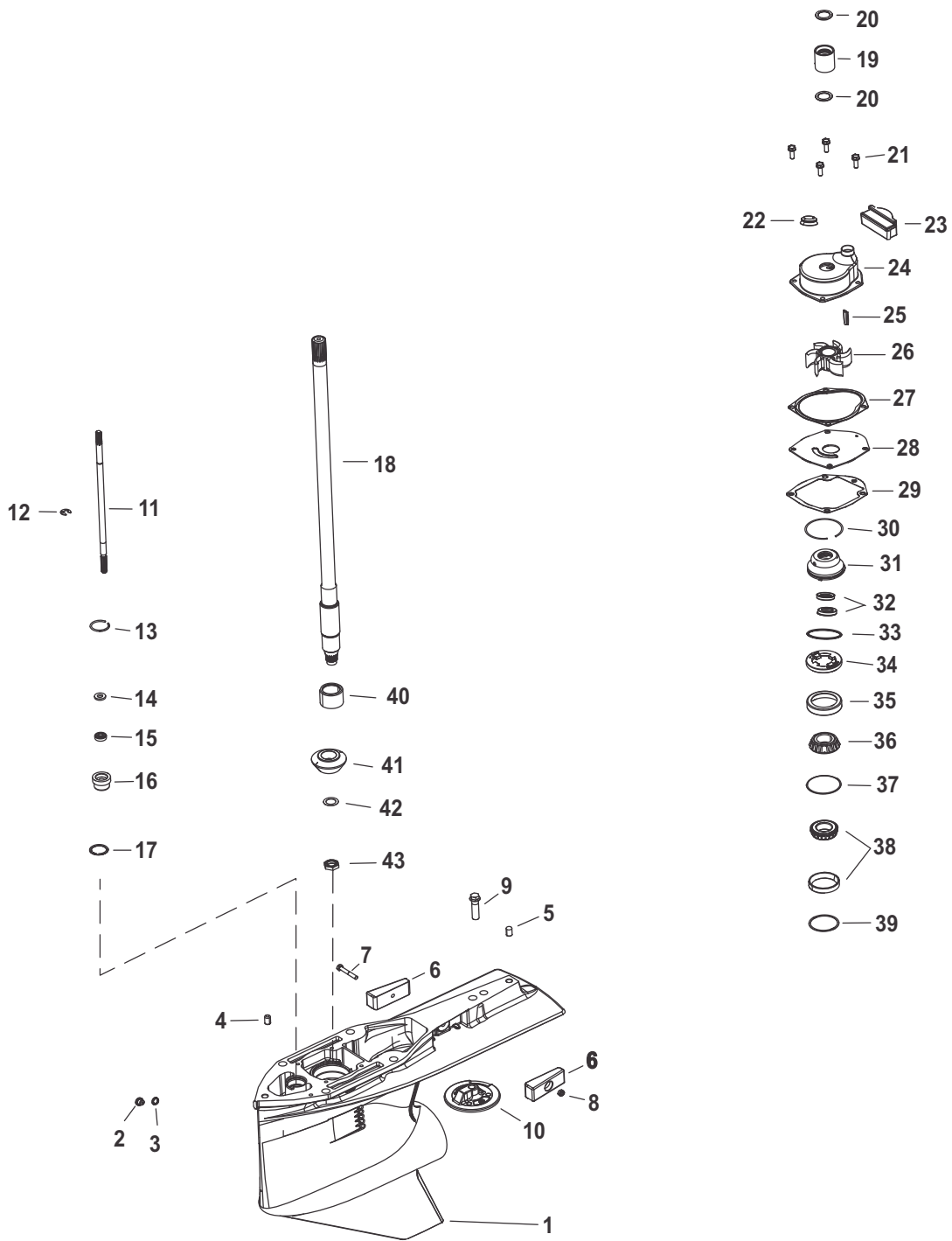
57323

## Gear Housing, Driveshaft 2.38:1 Standard/Counter Rotation

Ref #	Part Class	Part Number	Description	Comments	Qty	Note
-	1600	8M0088073	GEARCASE Complete CT Long		1	
-	1600	8M0099915	GEARCASE Complete CT L	SeaPro	1	
-	1600	8M0102751	GEARCASE Complete, CT CL		1	
-	1600	8M0088075	GEARCASE Complete CT X-Long		1	
-	1600	8M0099916	GEARCASE Complete CT XL	SeaPro	1	
-	1600	8M0088076	GEARCASE Complete CT CXL		1	
-	1600	8M0099917	GEARCASE Complete, CT CXL	SeaPro	1	
1	1600	8M0057747	GEAR HOUSING Basic		1	
1	1600	8M0099907	GEAR HOUSING Basic	SeaPro	1	
2	0010	79953A04	PLUG ASSEMBLY (.375-16 x .250)		1	
3	0026	830749	SEAL		1	[1]
4	0017	8M0084244	PIN Dowel		1	
5	0017	43044	PIN Dowel - Without Hole (.375 x .625)		1	
6	0097	826134Q	ANODE		2	[2]
7	0010	4000333	SCREW (M6 x 40)		1	
8	0011	401386	NUT (M6) Stainless Steel		1	
9	0010	806327	SCREW (.437-14 x 1.750)		1	
10	0097	76214Q5	ANODE KIT		1	[3]
11	0000	8M0031504	SHIFT SHAFT X-Long		1	
11	0000	8M0031503	SHIFT SHAFT Long		1	
12	0053	29641	E RING		1	
13	0053	8M0071554	RING Retaining		1	
14	0012	77674	WASHER		1	
15	0026	8164641	SEAL Oil		1	[1]
16	0023	813696A2	BUSHING ASSEMBLY		1	
17	0025	45258	O-RING (.987 x .103)		1	[1]
18	0045	8M0094476	DRIVESHAFT Long		1	
18	0045	8M0094340	DRIVESHAFT X-Long		1	
19	0000	8M0036238	COUPLING Water Pump		1	
20	0025	21836	O-RING (.796 x .139)		2	
21	0010	1993720	SCREW (M6 x 20)		4	[4]
22	0026	8M2014338	SEAL Face		1	[5]
23	0000	8M0010459	FILLER BLOCK		1	
24	0000	817275A1	HOUSING KIT Water Pump		1	[4]
25	0028	8M0032833	KEY		1	[6]
26	0047	43026T2	IMPELLER		1	[7]
27	0027	8172771	GASKET		1	[5]
28	0000	8172761	FACEPLATE		1	[5]
29	0027	8M0050720	GASKET		1	[5]
30	0053	880719	RING Retaining		1	
31	0000	8M0057748	OIL SEAL CARRIER ASSEMBLY		1	[8]
32	0026	89238	SEAL Oil		2	
33	0025	896523	O-RING (2.175 x .103)		1	[1]
34	0000	853651	RETAINER		1	

Gear Housing, Driveshaft 2.38:1 Standard/Counter Rotation

# Gear Housing, Driveshaft 2.38:1 Standard/Counter Rotation



57323



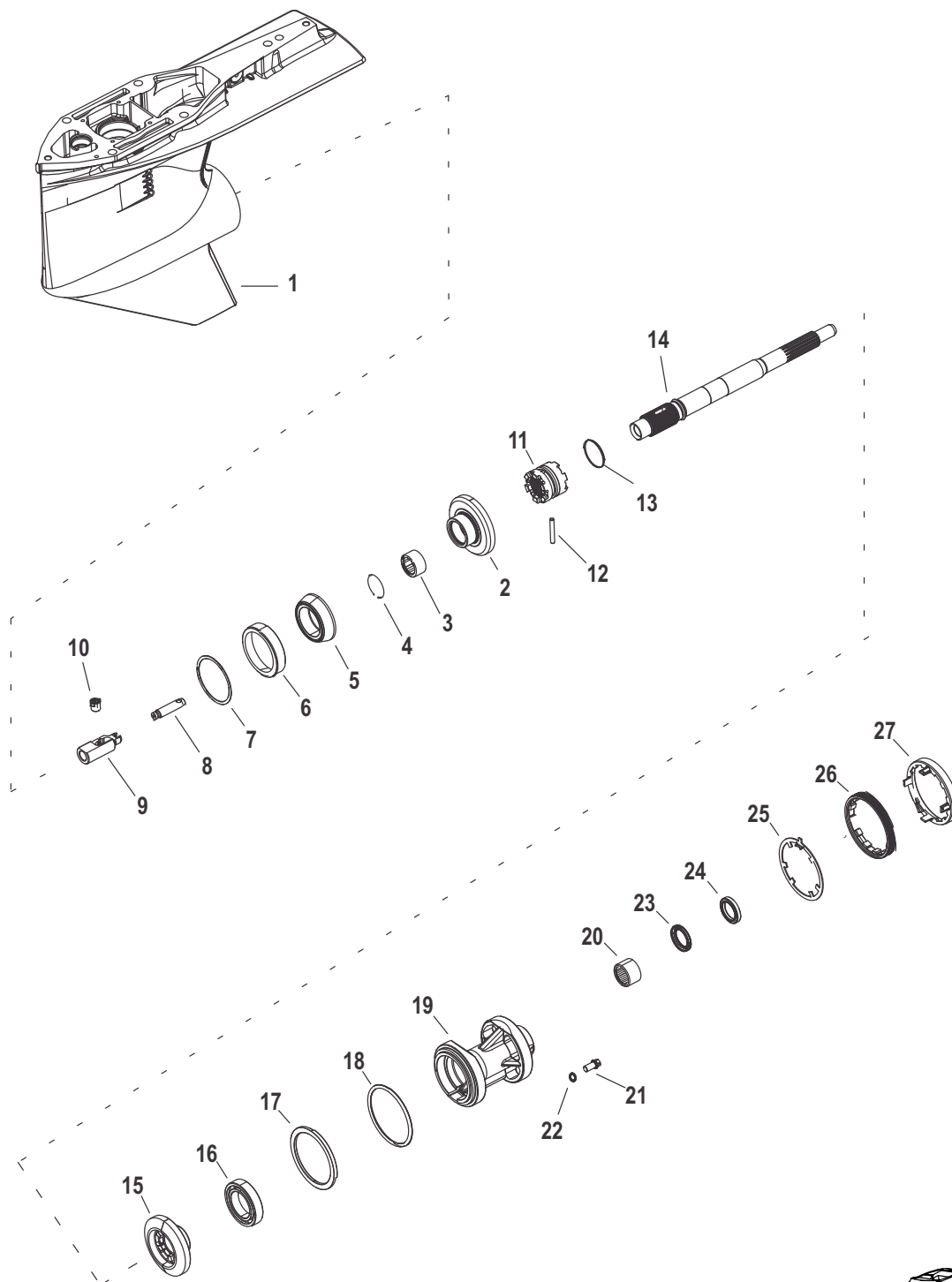
## Gear Housing, Driveshaft 2.38:1 Standard/Counter Rotation

Ref #	Part Class	Part Number	Description	Comments	Qty	Note
35	0031	33138A1	BEARING ASSEMBLY Tapered Roller		1	
36		NSS	NOT SOLD SEPARATE		1	
37	0015	8M0063267	SHIM SET		1	
38	0031	77420A1	BEARING ASSEMBLY Roller		1	
39	0015	8M0063268	SHIM SET		1	
40	0031	42647A1	BEARING ASSEMBLY Roller		1	
41		NSS	NOT SOLD SEPARATE		1	
42	0012	8M0064033	WASHER .865 X .635 SPECIAL		1	
43	0011	87364	NUT		1	
-	0000	8M0094529	COMPLETE WATER PUMP REPAIR KIT		1	
-	0047	8M0094530	REPAIR KIT Water Pump Impeller		1	
-	0000	8M0088081	GEARCASE SEAL KIT		1	
-	0046	8M0061040	REPAIR KIT Water Pump-Upper		1	

**PART NOTES:**

- [1] - COMPONENT OF GEARCASE SEAL KIT 8M0088080
- [2] - Alternate part numbers:  
826134Service Part  
826134QQS  
826134TMPP  
826134T 3Magnesium  
8M0059344Bulk Pack
- [3] - Alternate part numbers:  
76214 5Service Part  
76214A 6Magnesium  
76214Q 5QS  
76214T 5MPP  
8M0059339Bulk Pack
- [4] - COMPONENT OF WATER PUMP REPAIR KIT 8M0094529
- [5] - COMPONENT OF WATER PUMP REPAIR KIT 8M0094529  
COMPONENT OF IMPELLER REPAIR KIT 8M0094530  
COMPONENT OF GEARCASE SEAL KIT 8M0088080
- [6] - COMPONENT OF WATER PUMP REPAIR KIT 8M0094529  
COMPONENT OF IMPELLER REPAIR KIT 8M0094530
- [7] - Alternate part numbers:  
43026Q02QS  
43026T 2Service Part  
COMPONENT OF WATER PUMP REPAIR KIT 8M0094529  
COMPONENT OF IMPELLER REPAIR KIT 8M0094530
- [8] - COMPONENT OF WATER PUMP REPAIR KIT 8M0094529  
COMPONENT OF GEARCASE SEAL KIT 8M0088080

# Gear Housing, Propeller Shaft 2.07:1 Standard Rotation



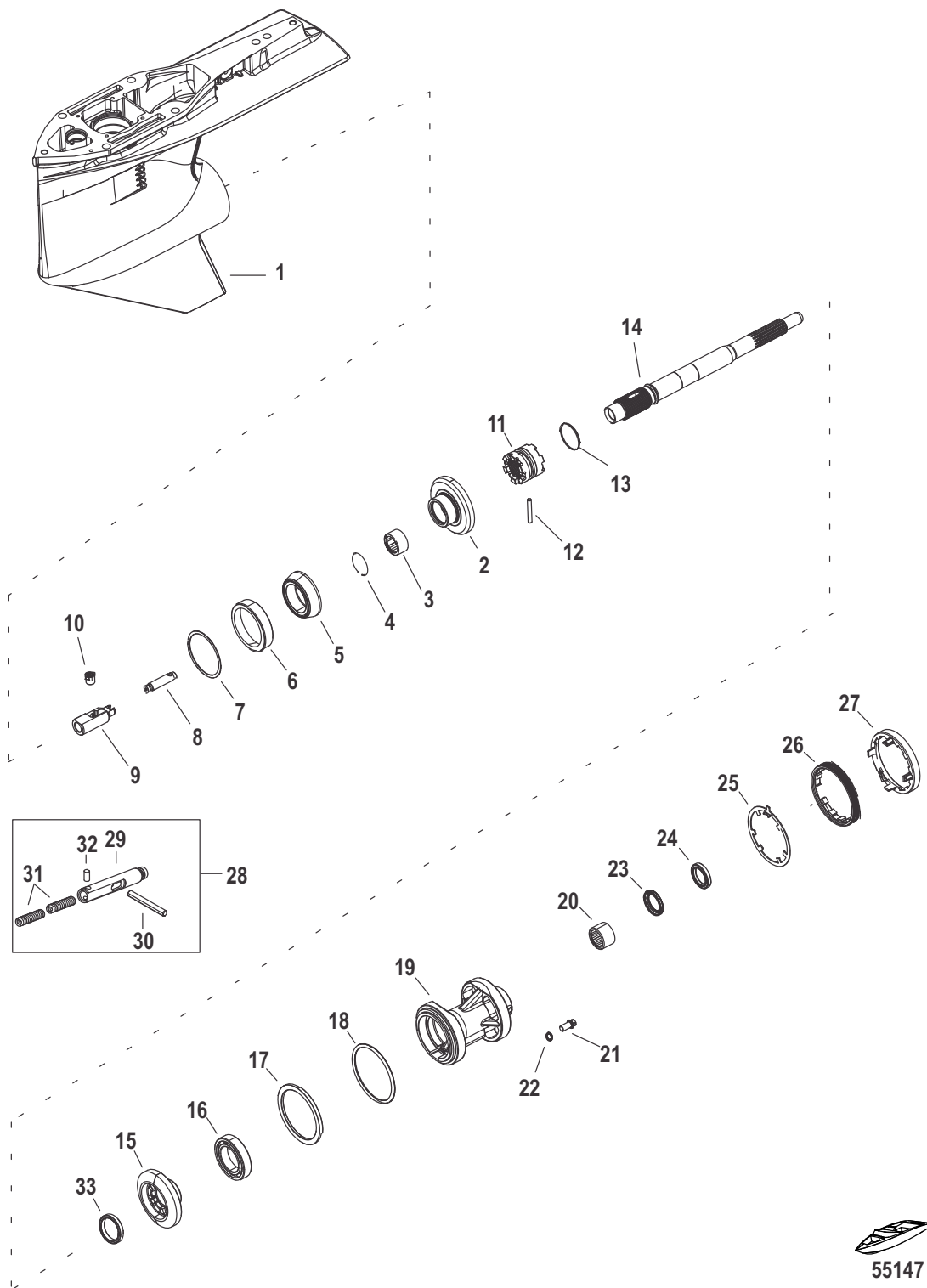
## Gear Housing, Propeller Shaft 2.07:1 Standard Rotation

Ref #	Part Class	Part Number	Description	Comments	Qty	Note
-	1600	8M0088072	GEARCASE Complete Long		1	
-	1600	8M0088074	GEARCASE Complete X-Long		1	
1	1600	8M0091538	GEARCASE Basic		1	
1	1600	8M0099907	GEAR HOUSING Basic	SeaPro	1	
2	0043	8M0094470	GEAR SET Forward/Pinion		1	
3	0031	8M0057742	BEARING Needle		1	
4	0053	8M0071554	RING Retaining		1	
5	0031	8M0094472	TAPERED ROLLER BEARING, SET		1	
6		NSS	NOT SOLD SEPARATE		1	
7	0015	8M0063266	SHIM SET		1	
8	0000	8M0057749	ROD Clutch Actuator		1	
9	0000	8M0072550	FOLLOWER Cam, (RH)		1	
10	0000	8M0077490	CAM Shift		1	
11	0052	8M0065168	CLUTCH Sliding		1	
12	0017	8M0065417	PIN Cross		1	
13	0024	30893	SPRING		1	
14	0044	8M0088077	SHAFT Propeller (RH)		1	
15	0043	8M0090832	GEAR Reverse 29T		1	
16	0030	8M0065430	BEARING Ball		1	
17	0000	8M0053099	THRUST RING		1	
18	0025	8M0065566	O-RING		1	[1]
19	0000	8M0065046	SPOOL Bearing Carrier		1	
20	0031	30956T	BEARING Needle		1	
21	0010	8M0077071	SCREW/SEAL KIT		1	
22	0026	830749	SEAL		1	[1]
23	0026	14077	SEAL Oil		1	[1]
24	0026	76868	SEAL		1	[1]
24	0026	12224	SEAL Fish Line Cutting		1	
25	0014	8M0032502	WASHER Keyed		1	
26	0000	8M0069653	BEARING CARRIER Retainer		1	
27	0023	8M0070256	SLEEVE Prop Bore		1	
-	0000	8M0090442	SKEG		1	
-	0000	8M0088080	GEARCASE SEAL KIT		1	

## PART NOTES:

[1] - COMPONENT OF GEARCASE SEAL KIT 8M0088080

# Gear Housing, Propeller Shaft 2.38:1 Standard Rotation



Gear Housing, Propeller Shaft 2.38:1 Standard Rotation

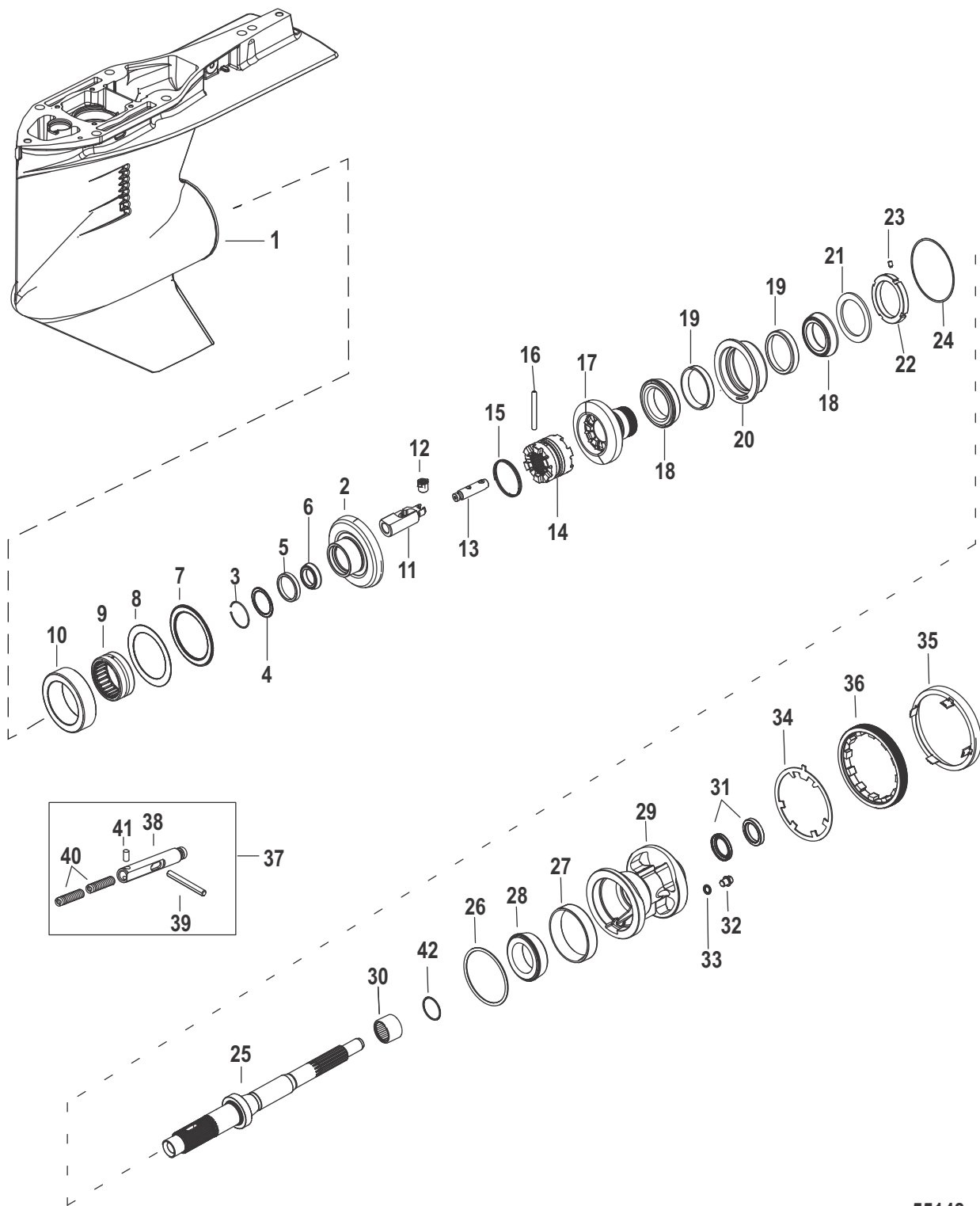
## Gear Housing, Propeller Shaft 2.38:1 Standard Rotation

Ref #	Part Class	Part Number	Description	Comments	Qty	Note
-	1600	8M0088073	GEARCASE Complete CT Long		1	
-	1600	8M0088075	GEARCASE Complete CT X-Long		1	
-	1600	8M0099915	GEARCASE Complete CT L	SeaPro	1	
-	1600	8M0099916	GEARCASE Complete CT XL	SeaPro	1	
1	1600	8M0057747	GEAR HOUSING Basic		1	
1	1600	8M0099907	GEAR HOUSING Basic	SeaPro	1	
2	0043	8M0094474	GEAR SET Forward/Pinion		1	
3	0031	8M0057742	BEARING Needle		1	
4	0053	8M0071554	RING Retaining		1	
5	0031	8M0057724	BEARING ASSY Roller, Tapered		1	
6		NSS	NOT SOLD SEPARATE Cup		1	
7	0015	8M0063269	SHIM SET		1	
8	0000	8M0057749	ROD Clutch Actuator Design 1	[2B384874] & Below	1	
9	0000	8M0072550	FOLLOWER Cam, (RH)		1	
10	0000	8M0077490	CAM Shift		1	
11	0052	8M0094479	CLUTCH Sliding, 6 Jaw		1	
12	0017	8M0045759	PIN Cross		1	
13	0024	8M0047945	SPRING Retaining		1	
14	0044	8M0088077	SHAFT Propeller (RH)		1	
15	0043	8M0094481	GEAR Reverse 31T		1	
16	0030	860081	BEARING		1	
17	0000	8M0030779	THRUST RING		1	
18	0025	8M0030845	O-RING 3.975X.210		1	[1]
19	0000	8M0030856	SPOOL Bearing Carrier		1	
19	0000	8M0098463	SPOOL Bearing Carrier		1	
20	0031	30956T	BEARING Needle		1	
21	0010	8M0071653	SCREW Special		1	
22	0026	830749	SEAL		1	[1]
23	0026	14077	SEAL Oil		1	[1]
24	0026	76868	SEAL		1	[1]
24	0026	12224	SEAL Fish Line Cutting		1	
25	0000	8M0030784	WASHER Keyed		1	
26	0000	8M0030785	RETAINER Bearing Carrier		1	
27	0023	8M0054695	SLEEVE Propeller Bore		1	
28	0098	8M0120367	ACTUATOR KIT Double Acting Shift Design 2	SeaPro [2B384875] & Up	1	
29	0000	8M0102962	ROD CLUTCH ACTUATOR		1	
30	0017	8M0029113	PIN Cross		1	
31	0024	8M0096707	SPRING Compression		2	
32	0017	8M0084245	PIN Spring Locator		1	
33	0023	824108	SPACER		1	
-	0000	8M0060147	SKEG		1	
-	0000	8M0088081	GEARCASE SEAL KIT		1	

## PART NOTES:

[1] - COMPONENT OF GEARCASE SEAL KIT 8M0088080

# Gear Housing, Propeller Shaft 2.38:1 Counter Rotation



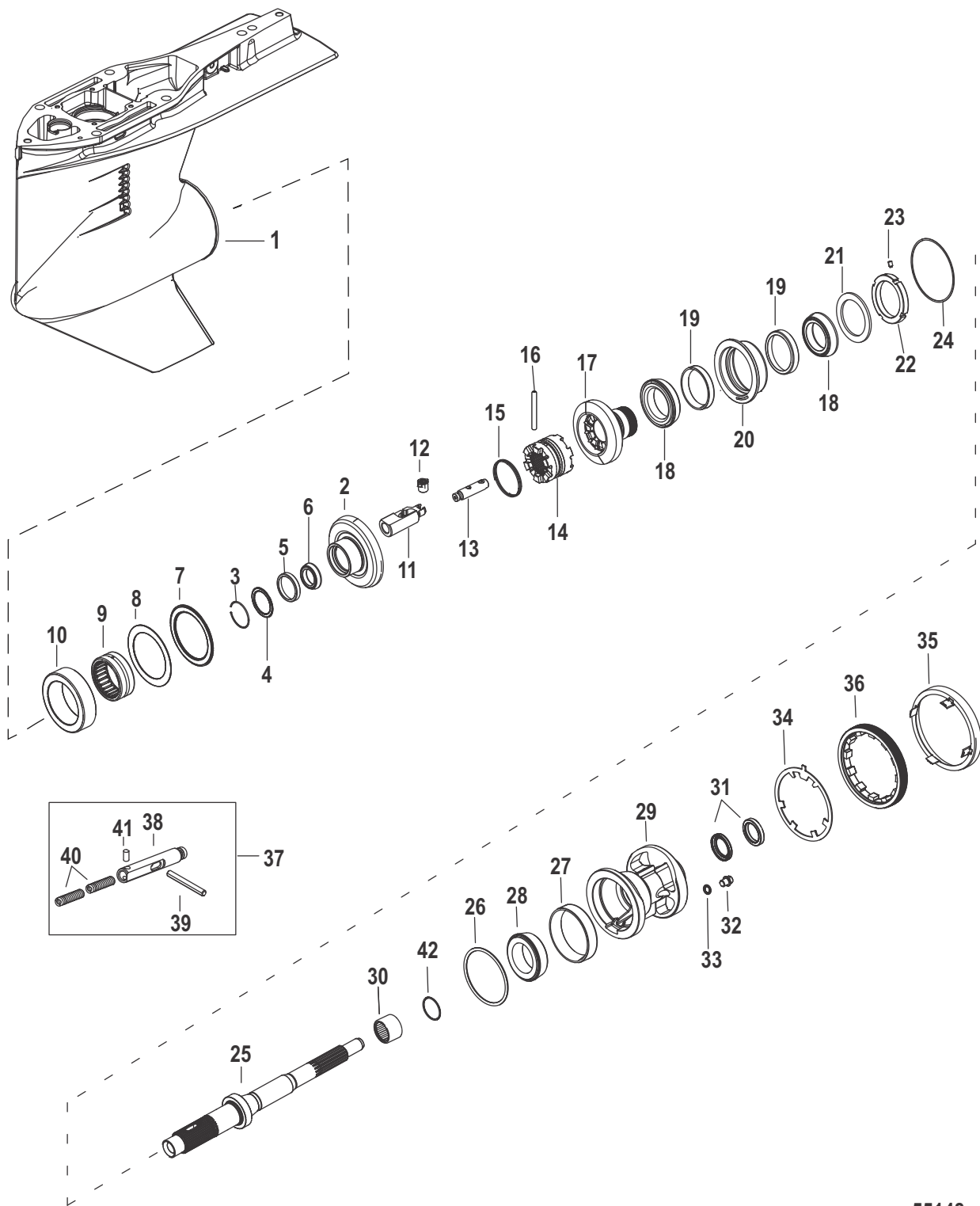
55148

## Gear Housing, Propeller Shaft 2.38:1 Counter Rotation

Ref #	Part Class	Part Number	Description	Comments	Qty	Note
-	1600	8M0102751	GEARCASE Complete, CT CL		1	
-	1600	8M0088076	GEARCASE Complete CT CXL		1	
-	1600	8M0099917	GEARCASE Complete, CT CXL	SeaPro	1	
1	1600	8M0057747	GEAR HOUSING Basic		1	
1	1600	8M0099907	GEAR HOUSING Basic	SeaPro	1	
2	0043	8M0094500	GEAR Reverse 31T		1	
3	0053	8M0094502	RING Internal Retaining		1	
4	0012	8M0064432	WASHER Thrust		1	
5	0031	8M0094499	BEARING SET Tapered Roller		1	
6		NSS	NOT SOLD SEPARATE		1	
7	0031	815480	BEARING Thrust		1	
8	0012	815481	THRUST WASHER		1	
9	0031	8M0094497	BEARING Needle Roller		1	
10	0000	8M0064369	BEARING ADAPTER Reverse Gear		1	
11	0000	8M0031018	FOLLOWER Cam (LH)		1	
12	0000	8M0077490	CAM Shift		1	
13	0000	8M0057749	ROD Clutch Actuator Design 1	[2B384875] & Below	1	
14	0052	8M0094479	CLUTCH Sliding, 6 Jaw		1	
15	0024	8M0047945	SPRING Retaining		1	
16	0017	8M0045759	PIN Cross		1	
17	0043	8M0094483	GEAR SET FORWARD/PINION (31T LH)		1	
18	0031	8M0094485	TAPERED ROLLER BEARING SET		2	
19		NSS	NOT SOLD SEPARATE		2	
20	0000	8M0094486	ADAPTER Bearing, Forward Gear		1	
21	0012	8M0064177	WASHER Thrust		1	
22	0011	8M0094488	LOCK NUT		1	
23	0010	8M0066130	SCREW- HALF DOG POINT SET		1	
24	0015	8M0094490	SHIM SET		1	
25	0044	8M0088079	SHAFT - PROPELLER LH		1	
26	0025	8M0030845	O-RING 3.975X.210		1	
27	0031	884330T01	BEARING ASSEMBLY Tapered		1	
28		NSS	NOT SOLD SEPARATE		1	
29	0000	8M0094495	BEARING CARRIER C/R		1	
30	0023	8M0064306	SPACER		1	
31	0026	888483	SEAL Oil		2	
32	0010	8M0071653	SCREW Special		1	
33	0026	830749	SEAL		1	
34	0000	8M0030784	WASHER Keyed		1	
35	0023	8M0054695	SLEEVE Propeller Bore		1	
36	0000	8M0030785	RETAINER Bearing Carrier		1	
37	0098	8M0120367	ACTUATOR KIT Double Acting Shift Design 2	SeaPro [2B384875] & Up	1	
38	0000	8M0102962	ROD CLUTCH ACTUATOR		1	
39	0017	8M0029113	PIN Cross		1	
40	0024	8M0096707	SPRING Compression		2	

Gear Housing, Propeller Shaft 2.38:1 Counter Rotation

# Gear Housing, Propeller Shaft 2.38:1 Counter Rotation



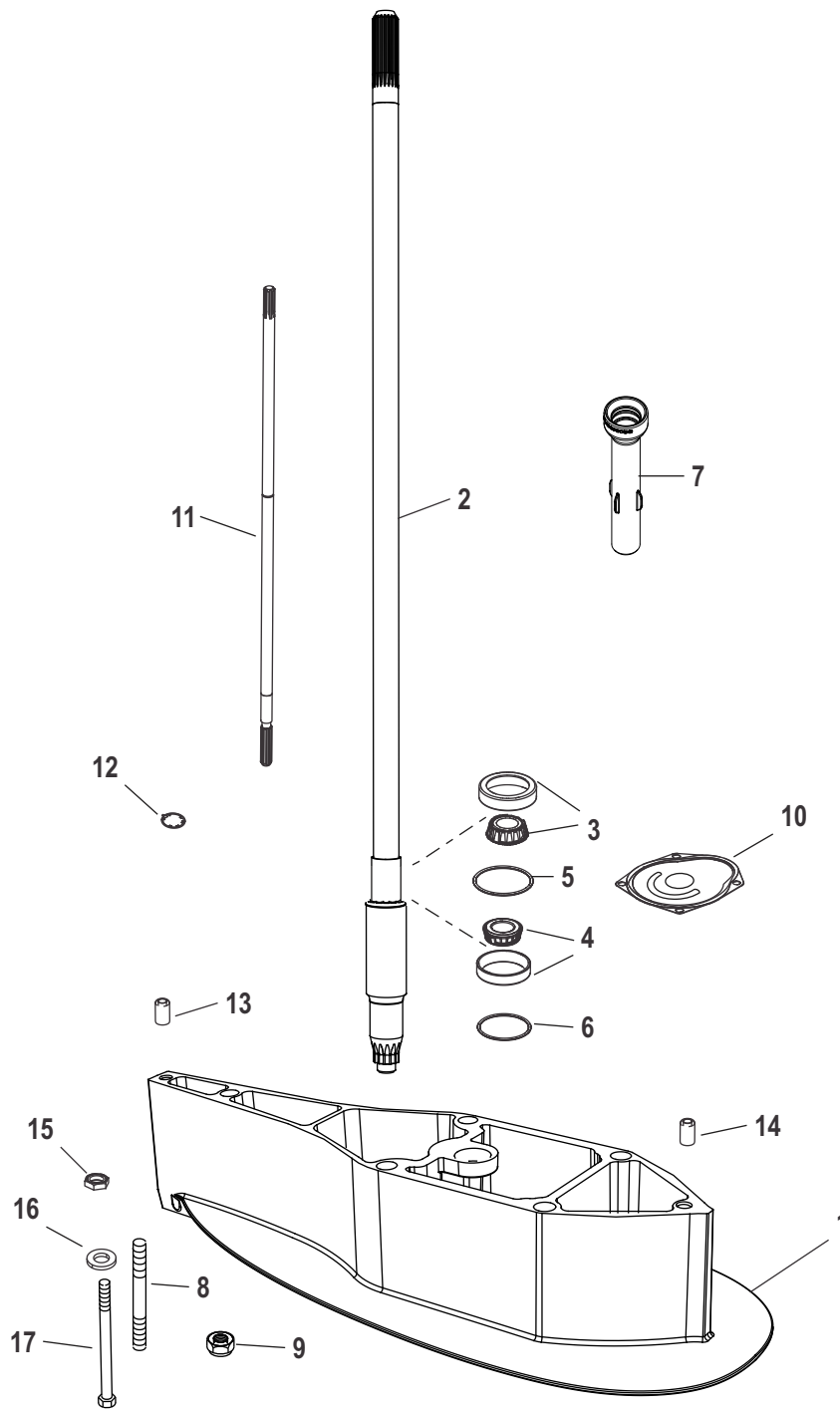
55148



## Gear Housing, Propeller Shaft 2.38:1 Counter Rotation

Ref #	Part Class	Part Number	Description	Comments	Qty	Note
41	0017	8M0084245	PIN Spring Locator		1	
42	0015	8M0076745	SHIM SET		1	
42	0012	8M0050423	WASHER .020		AR	
42	0012	8M0050424	WASHER .022		AR	
42	0012	8M0050425	WASHER .024		AR	
42	0012	8M0050427	WASHER .026		AR	
42	0012	8M0050428	WASHER .028		AR	
42	0012	8M0050429	WASHER .030		AR	
42	0012	8M0050430	WASHER .032		AR	
42	0012	8M0050431	WASHER .034		AR	
42	0012	8M0050432	WASHER .036		AR	
42	0012	8M0050433	WASHER .038		AR	
42	0012	8M0050434	WASHER .040		AR	
42	0012	8M0050435	WASHER .042		AR	
42	0012	8M0050436	WASHER .044		AR	
42	0012	8M0050437	WASHER .046		AR	
42	0012	8M0050438	WASHER .048		AR	
42	0012	8M0050439	WASHER .050		AR	

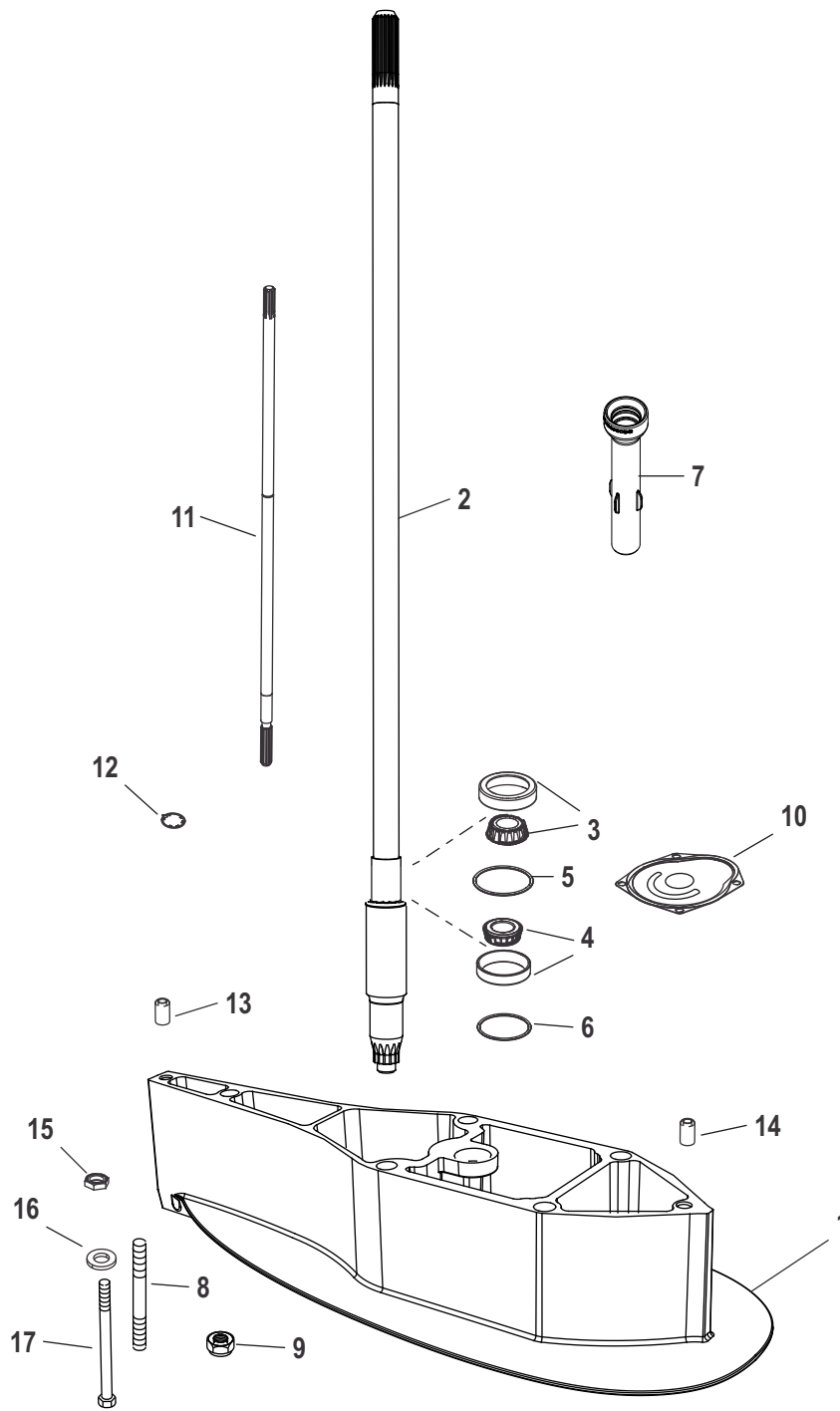
# DriveShaft Housing Extension Kit Standard 2.07:1



## DriveShaft Housing Extension Kit Standard 2.07:1

Ref #	Part Class	Part Number	Description	Comments	Qty	Note
-	0000	8M0092054	EXTENSION KIT		1	
1	0000	8M0071622	SPACER Driveshaft Housing X-Long		1	
2	0045	8M0094341	DRIVESHAFT X-Long		1	
3	0031	33138A1	BEARING ASSEMBLY Tapered Roller		1	
4	0031	77420A1	BEARING ASSEMBLY Roller		1	
5	0015	8M0063267	SHIM SET		1	
6	0015	8M0063268	SHIM SET		1	
7	0022	8M0029215	WATER TUBE		1	
8	0016	8M0008047	STUD (M12 x 179)		4	
9	0011	8M0071654	NUT (.625-18 HX)		1	
10	0000	866233001	FACEPLATE		1	
11	0000	8M0053078	SHIFT SHAFT Lower, X-Long		1	
12	0000	8M0030784	WASHER Keyed		1	
13	0017	43044	PIN Dowel - Without Hole (.375 x .625)		1	
14	0017	8M0084244	PIN Dowel		1	
15	0011	896895	NUT (M12)		4	
16	0012	856982	WASHER (.500 x .810 x .090) Stainless Steel		5	
17	0010	857137	SCREW (M12 x 160)		1	

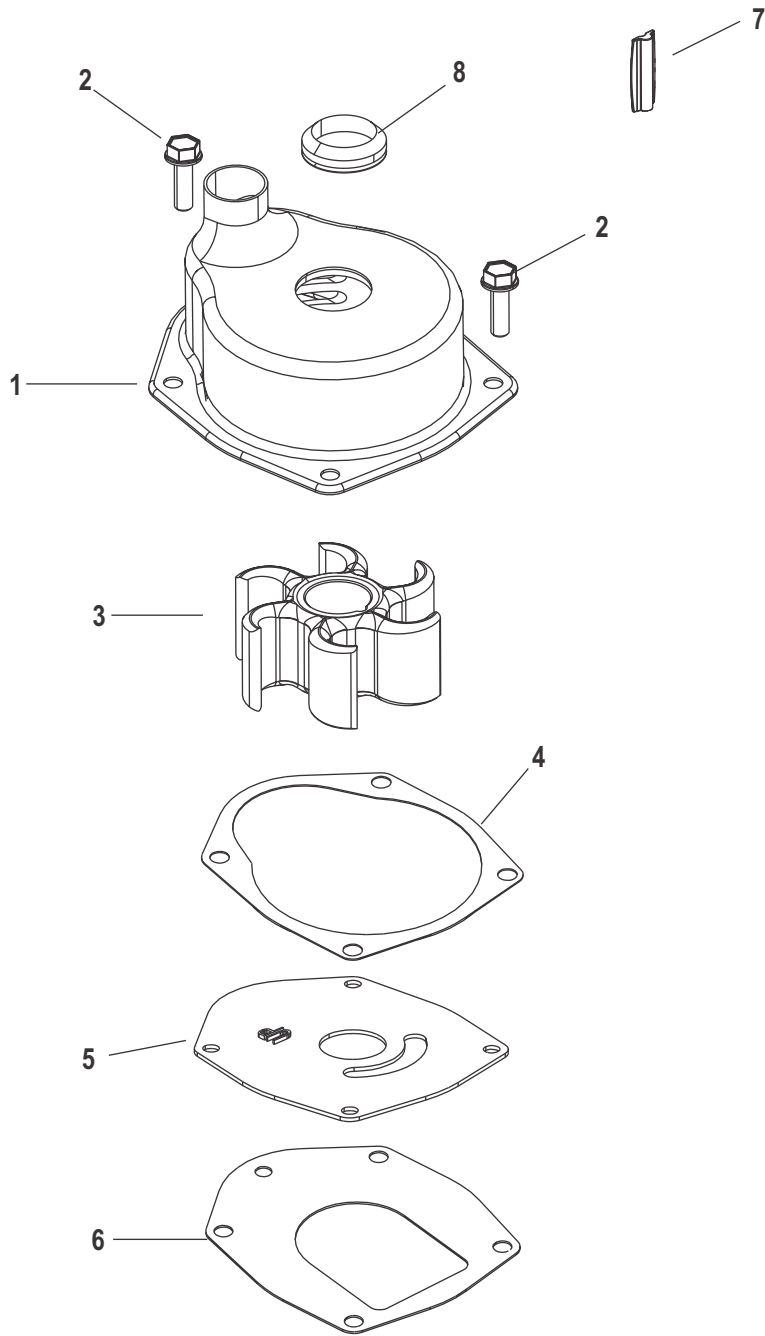
# DriveShaft Housing Extension Kit Command Thrust 2.38:1



## DriveShaft Housing Extension Kit Command Thrust 2.38:1

Ref #	Part Class	Part Number	Description	Comments	Qty	Note
-	0000	8M0092061	EXTENSION KIT		1	
1	0000	8M0071622	SPACER Driveshaft Housing X-Long		1	
2	0045	8M0094340	DRIVESHAFT X-Long		1	
3	0031	33138A1	BEARING ASSEMBLY Tapered Roller		1	
4	0031	77420A1	BEARING ASSEMBLY Roller		1	
5	0015	8M0063267	SHIM SET		1	
6	0015	8M0063268	SHIM SET		1	
7	0022	8M0029215	WATER TUBE		1	
8	0016	8M0008047	STUD (M12 x 179)		4	
9	0011	87364	NUT		1	
10	0000	866233001	FACEPLATE		1	
11	0000	8M0031504	SHIFT SHAFT X-Long		1	
12	0000	8M0030784	WASHER Keyed		1	
13	0017	43044	PIN Dowel - Without Hole (.375 x .625)		1	
14	0017	8M0084244	PIN Dowel		1	
15	0011	896895	NUT (M12)		4	
16	0012	856982	WASHER (.500 x .810 x .090) Stainless Steel		5	
17	0010	857137	SCREW (M12 x 160)		1	

# Jet Pump and Components Jet



56268

## Jet Pump and Components Jet

Ref #	Part Class	Part Number	Description	Comments	Qty	Note
-	0000	817275A08	REPAIR KIT Water Pump-Upper		1	
1	0000	817275A1	HOUSING KIT Water Pump		1	
2	0010	8M4503518	SCREW (M6 X 1.0 X 20)		4	
3	0047	8M0025709	IMPELLER Water Pump		1	
4	0027	8172771	GASKET		1	
5	0000	8172761	FACEPLATE		1	
6	0027	430331	GASKET		1	
7	0028	8M0032833	KEY		1	
8	0026	8M2014338	SEAL Face		1	
-	0000	8M0112712	JET PUMP KIT		1	
-	0000	8M0091607	JET PUMP ASSEMBLY		1	
-	0000	8M0104795	SPACER, SHIFT BRACKET		1	
-	0000	8M0082528	THROTTLE AND SHIFT CABLE GEN2 - 5 ft.		1	
-	0010	806327	SCREW (.437-14 x 1.750)		1	

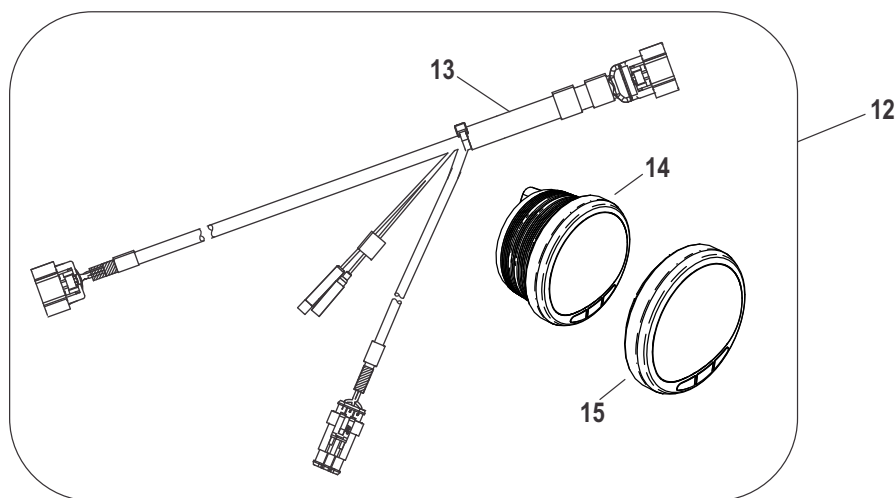
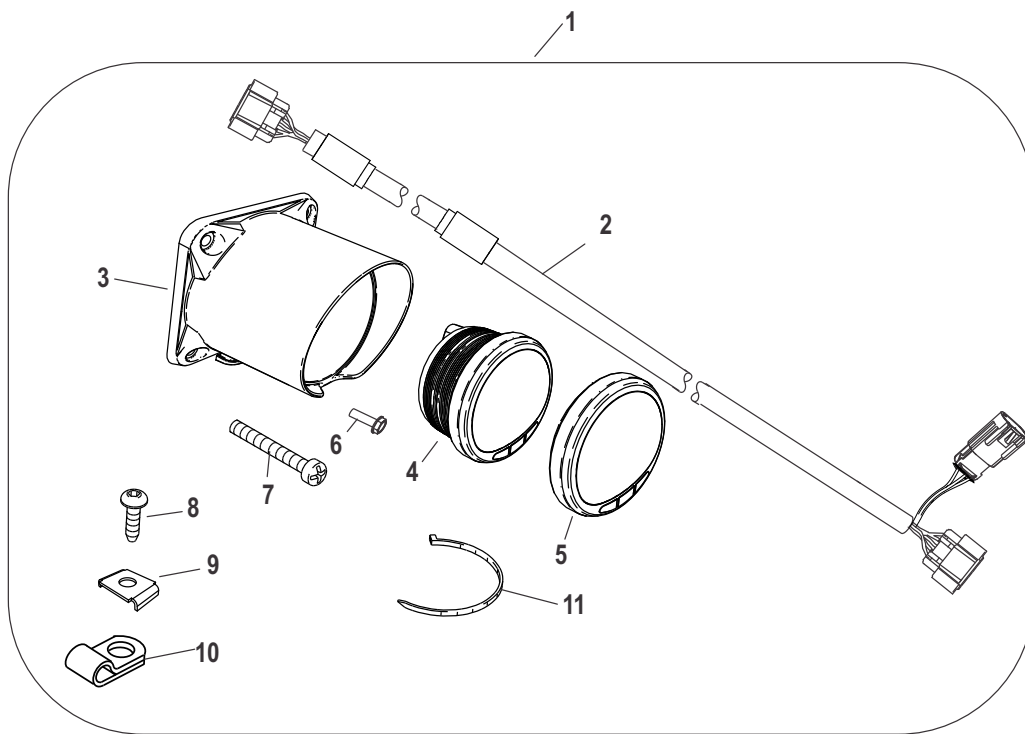




## Accessories

Ref #	Part Class	Part Number	Description	Comments	Qty	Note
-	0000	8M0075215	WATER SEPARATING FUEL FILTER KIT With Electronic Water Sensor Vessel Mounted		1	
-	0000	8M0100102	REMOTE WATER IN FUEL FILTER KIT With Electronic Water Sensor Vessel Mounted		1	
-	0000	8M0091534	TRIM TAB		1	
-	0000	8M0092054	EXTENSION KIT Standard 2.07:1		1	
-	0000	8M0092061	EXTENSION KIT Command Thrust 2.38:1		1	
-	0000	8M0090442	SKEG Standard 2.07:1		1	
-	0000	8M0060147	SKEG Command Thrust 2.38:1		1	
-	0032	8M0088822	HOSE KIT Rigging		1	
-	0000	8M0087542	TRIM LIMIT KIT-A2D Analog to Digital Conversion		1	
-	0000	8M0089111	SENDER Cylinder Block Water Pressure, Digital		1	
-	0032	8M0088855	HOSE ASSEMBLY Cylinder Block Water Pressure, Analog		1	
-	0000	8M0090447	PRESSURE SENSOR KIT Digital Pitot		1	
-	0079	8M0104733	TACHOMETER KIT Transom Mount	SEAPRO ONLY	1	
-	0079	8M0097226	TACHOMETER KIT Helm Mount	SEAPRO ONLY	1	
-	0000	8M0091607	JET PUMP ASSEMBLY		1	
-	0000	8M0082528	THROTTLE AND SHIFT CABLE GEN2 - 5 ft.		1	
-	0000	8M0098513	SPACER Shift Bracket		1	

# Tachometer Kits Transom and Helm Mount



57456

## Tachometer Kits Transom and Helm Mount

Ref #	Part Class	Part Number	Description	Comments	Qty	Note
1	0079	8M0104733	TACHOMETER KIT Transom Mount		1	
1	0098	8M0095036	TACHOMETER KIT Transom Mount		1	
2	0084	8M2100452	HARNESS Data Extension 10 Pin		1	
3	0000	8M0099412	GAUGE HOUSING		1	
4		NSS	NOT SOLD SEPARATE TACHOMETER 7K - Black		1	
5	0000	8590741	BEZEL (85 mm) Black		1	
6	0010	895054	SCREW (M4 x 16 MM)		2	
7	0010	14742	SCREW (.250-20 x 1.25)		4	
8	0010	57807	SCREW (#10-16 x .750) Stainless Steel		8	
9	0000	69205	C WASHER		8	
10	0054	22875	CLIP		8	
11	0000	69355	TIE STRAP (5.50 Inches)		1	
12	0079	8M0097226	TACHOMETER KIT Helm Mount		1	
-	0079	8M0095037	TACHOMETER KIT 7 K -Helm Mount (Black)		1	
13	0084	8M0055044	HARNESS Tachometer, V 6.0		1	
14		NSS	NOT SOLD SEPARATE TACHOMETER 7K - Black		1	
15	0000	8590741	BEZEL (85 mm) Black		1	



# Maintenance Kits

Ref #	Part Class	Part Number	Description	Comments	Qty	Note
-	0000	8M0097854	SERVICE KIT 75-115 HP 4S (100 Hour)		1	
-	0035	8M0162829	FILTER Oil		1	
-	0035	879885Q	FILTER Fuel In-Line		1	[1]
-	0026	830749	SEAL		1	
-	0000	8M0097855	SERVICE KIT 75-115HP 4S (300 Hour)		1	
-	0035	8M0162829	FILTER Oil		1	
-	0035	879885Q	FILTER Fuel In-Line		1	[1]
-	0035	8M0090809	FILTER		1	
-	0054	855697	CLAMP		1	
-	0026	830749	SEAL		2	
-	0033	8M0057936	SPARK PLUG NGK ZFR5F		4	
-	0000	8M0090819	THERMOSTAT ASSEMBLY		1	
-	0000	8M0094529	COMPLETE WATER PUMP REPAIR KIT		1	
-	0097	818298T1	ANODE KIT		1	[2]
-	0097	826134T	ANODE		2	[3]

**PART NOTES:**

- [1] - Alternate part numbers:  
 879885KMPP  
 879885QQS  
 879885TService Part
- [2] - Alternate part numbers:  
 818298A 1Service Part  
 818298Q 1QS  
 818298T 1MPP  
 818298T 3Magnesium  
 8M0059343Bulk Pack
- [3] - Alternate part numbers:  
 826134Service Part  
 826134QQS  
 826134TMPP  
 826134T 3Magnesium  
 8M0059344Bulk Pack

# PARTS INDEX

Part No.	Description	Pg.	Ref.no	Part No.	Description	Pg.	Ref.no
12024	WASHER (.402 x .787 x .039 Bellevi)	60	20	12224	SEAL Fish Line Cutting	84	24
12224	SEAL Fish Line Cutting	86	24	13035002	FITTING	74	14
14077	SEAL Oil	84	23	14077	SEAL Oil	86	23
14742	SCREW (.250-20 x 1.25)	100	7	1993720	SCREW (M6 x 20)	76	21
1993720	SCREW (M6 x 20)	80	21	21836	O-RING (.796 x .139)	76	20
21836	O-RING (.796 x .139)	80	20	22740	CLIP	68	14
22875	CLIP	100	10	26811	COTTER PIN	58	22
26841	BUSHING	62	4	26993	LOCKWASHER (.312)	12	10
26996	LOCKWASHER (#10) Stainless Steel	66	19	27290	RING Retaining	18	6
28421	WASHER (1.5 x 3.05 x 0.13) Stainless Steel	68	18	291112	FITTING	34	27
29245	WASHER (.281 x .500 x .060) Stainless Steel	68	26	29641	E RING	58	29
29641	E RING	76	12	29641	E RING	80	12
29845	O-RING (.924 x .103)	34	12	30893	SPRING	84	13
30956T	BEARING Needle	84	20	30956T	BEARING Needle	86	20
33138A1	BEARING ASSEMBLY Tapered Roller	76	35	33138A1	BEARING ASSEMBLY Tapered Roller	82	35
33138A1	BEARING ASSEMBLY Tapered Roller	92	3	33138A1	BEARING ASSEMBLY Tapered Roller	94	3
35462	WASHER (.2656 x .625 x .0625) Stainless Steel	18	13	36373	PLUG (.375-18) Hex - Steel	30	5
36373	PLUG (.375-18) Hex - Steel	32	5	37828	WASHER (.390 x .625 x .062) Stainless Steel	66	11
38101	O-RING (.674 x .103)	34	9	38106	O-RING	52	6
40003111	SCREW (M12 x 120) Hex HD	66	21	4000330	SCREW (M6 x 25)	68	27
4000333	SCREW (M6 x 40)	76	7	4000333	SCREW (M6 x 40)	80	7
40011106	SCREW (M5 x 13) Stainless Steel	14	2	40011126	SCREW (M6 x 13) Stainless Steel	14	17
40011145	SCREW (M8 x 10) Stainless Steel	12	8	40011148	SCREW (M8 x 20)	14	16
4001186	SCREW (M4 X 13) Hex Wash HD SS	18	9	4001987	SCREW (M4 x 16)	56	22
400211	NUT (M5) Stainless Steel	14	19	400213	NUT (M8) Stainless Steel	12	9
4002316	WASHER (6.60 X 17.0 X 1.5SS)	4	4	4002316	WASHER (6.60 X 17.0 X 1.5SS)	8	15
4002316	WASHER (6.60 X 17.0 X 1.5SS)	34	16	4002316	WASHER (6.60 X 17.0 X 1.5SS)	58	28
4002319	WASHER	58	4	4002319	WASHER	60	14
4002319	WASHER	68	22	400255	LOCKWASHER (M5)	14	18
4010610	SCREW (M6 x 10) Stainless Steel	74	4	4010730	SCREW (M8 x 30)	66	3
4010730	SCREW (M8 x 30)	74	3	40114	NUT (M10 x 1.5)	68	23
401386	NUT (M6) Stainless Steel	18	12	401386	NUT (M6) Stainless Steel	76	8
401386	NUT (M6) Stainless Steel	80	8	401388	NUT (M8) Stainless Steel	14	20
40140	NUT (M10)	60	13	42647A1	BEARING ASSEMBLY Roller	82	40
43026T2	IMPELLER	76	26	43026T2	IMPELLER	80	26
430331	GASKET	96	6	43044	PIN Dowel - Without Hole (.375 x .625)	60	16
43044	PIN Dowel - Without Hole (.375 x .625)	76	5	43044	PIN Dowel - Without Hole (.375 x .625)	80	5
43044	PIN Dowel - Without Hole (.375 x .625)	92	13	43044	PIN Dowel - Without Hole (.375 x .625)	94	13
43430	WASHER	14	13	45258	O-RING (.987 x .103)	76	17
45258	O-RING (.987 x .103)	80	17	45711	O-RING (.612 x .103)	68	9
52148002	PILOT ROD (15.00 Inches)	62	1	52148A08	CO PILOT ASSEMBLY	62	-
54012	WASHER (.530 x .870 x .105) Stainless Steel	68	19	56500	SCREW (.250-28 x 1.250)	62	9
57807	SCREW (#10-16 x .750) Stainless Steel	100	8	62706	O-RING (.426 x .070)	48	7
65567	WASHER (.265 x .750 x .048) Stainless Steel	12	5	65567	WASHER (.265 x .750 x .048) Stainless Steel	24	16
65830	NYLINER	68	4	67684	RING Retaining	66	24
677551	SCREW (.500-20 x 4.500)	68	17	69205	C WASHER	68	13
69205	C WASHER	100	9	69355	TIE STRAP (5.50 Inches)	100	11
73286	SCREW (.250-20 x .500) Stainless Steel	66	35	76214Q5	ANODE KIT	80	10
76629	LOCKWASHER Internal Tooth (.750)	54	11	76868	SEAL	84	24
76868	SEAL	86	24	77420A1	BEARING ASSEMBLY Roller	76	38
77420A1	BEARING ASSEMBLY Roller	82	38	77420A1	BEARING ASSEMBLY Roller	92	4
77420A1	BEARING ASSEMBLY Roller	94	4	77674	WASHER	62	8
77674	WASHER	76	14	77674	WASHER	80	14
79953A04	PLUG ASSEMBLY (.375-16 x .250)	76	2	79953A04	PLUG ASSEMBLY (.375-16 x .250)	80	2
806327	SCREW (.437-14 x 1.750)	76	9	806327	SCREW (.437-14 x 1.750)	80	9
806327	SCREW (.437-14 x 1.750)	96	-	809096	FILTER Fuel-Water Separating Fuel Filter Assembly	32	2
810776A1	PISTON ASSEMBLY Memory	72	12	811613	PLUG ASSEMBLY	72	7
813696A2	BUSHING ASSEMBLY	76	16	813696A2	BUSHING ASSEMBLY	80	16
815480	BEARING Thrust	88	7	815481	THRUST WASHER	88	8
815504105	CLAMP Worm Gear (11-18 mm)	30	7	816311T	TIE STRAP (8.00 Inches)	34	7

# PARTS INDEX

Part No.	Description	Pg.	Ref.no	Part No.	Description	Pg.	Ref.no
816311T	TIE STRAP (8.00 Inches)	54	7	816311T	TIE STRAP (8.00 Inches)	66	12
816432	THRUST WASHER	66	13	8164641	SEAL Oil	76	15
8164641	SEAL Oil	80	15	817275A08	REPAIR KIT Water Pump-Upper	96	-
817275A1	HOUSING KIT Water Pump	76	24	817275A1	HOUSING KIT Water Pump	80	24
817275A1	HOUSING KIT Water Pump	96	1	8172761	FACEPLATE	76	28
8172761	FACEPLATE	80	28	8172761	FACEPLATE	96	5
8172771	GASKET	76	27	8172771	GASKET	80	27
8172771	GASKET	96	4	818298Q1	ANODE KIT	68	25
818298T1	ANODE KIT	102	-	818557001	CLAMP	74	10
818898	PIN Anchor	70	4	821176T02	LEVER ASSEMBLY Tilt Lock	68	5
821207	BUSHING	66	16	821327	PIN Dowel	42	7
821327	PIN Dowel	48	1	821539	PIN Trilobe	70	3
821555001	GROMMET	10	2	821555001	GROMMET	12	18
821555001	GROMMET	52	3	821621	KNOB Prong	62	7
822459	RETAINER	22	18	824108	SPACER	86	33
825677	PUSH NUT	22	17	826125A1	TILT TUBE	68	10
826134Q	ANODE	76	6	826134Q	ANODE	80	6
826134T	ANODE	102	-	826135	NUT (1.00-14) Nylon Insert	68	8
826164	NUT (.875-14)	68	12	826292	NUT (M10) Brass/Nickel Plated	60	10
826709111	NUT (.312-24) Stainless Steel	62	2	82671117	NUT (.500-20)	68	20
828054	COVER Fuse	12	29	830749	SEAL	76	3
830749	SEAL	80	3	830749	SEAL	84	22
830749	SEAL	86	22	830749	SEAL	88	33
830749	SEAL	102	-	830749	SEAL	102	-
830899	SPRING Tension	68	6	830900	SPRING Compression	68	3
833047	SCREW (.250-20 x 2.250)	72	8	833063	O-RING	72	5
834985	GROMMET	12	4	834985	GROMMET	22	27
834985	GROMMET	24	13	849838	SCREW (.375-24 x 1.250)	66	9
85045	O-RING (.551 x .070)	48	6	852368	SCREW (#10-24 x .750)	66	20
853651	RETAINER	76	34	853651	RETAINER	80	34
854445	SENSOR MAP	22	3	855228	CLAMP	20	3
855228	CLAMP	22	29	855697	CLAMP	24	2
855697	CLAMP	32	7	855697	CLAMP	34	19
855697	CLAMP	102	-	856954	BUSHING	12	3
856954	BUSHING	24	14	856954	BUSHING	28	21
856982	WASHER (.500 x .810 x .090) Stainless Steel	74	7	856982	WASHER (.500 x .810 x .090) Stainless Steel	92	16
856982	WASHER (.500 x .810 x .090) Stainless Steel	94	16	857137	SCREW (M12 x 160)	92	17
857137	SCREW (M12 x 160)	94	17	85822T	CONNECTOR Straight	74	12
858754	COVER Fuse	12	16	858771	SCREW (M10 x 30)	68	21
858954	CLIP (.625)	12	12	8590741	BEZEL (85 mm) Black	100	5
8590741	BEZEL (85 mm) Black	100	15	860081	BEARING	86	16
866233001	FACEPLATE	92	10	866233001	FACEPLATE	94	10
873491	ROD	62	5	87364	NUT	82	43
87364	NUT	94	9	875273138	SCREW (.375-24 x 1.38)	62	10
87775610	SCREW (M4 X 10)	22	1	878609	SCREW (#10-16 x .600)	68	15
879885Q	FILTER Fuel In-Line	24	6	879885Q	FILTER Fuel In-Line	102	-
879885Q	FILTER Fuel In-Line	102	-	880515	BOLT (M20 x 68)	10	3
880550	SPROCKET	38	23	880719	RING Retaining	76	30
880719	RING Retaining	80	30	881070T	SENSOR Position	18	8
881070T	SENSOR Position	22	6	88238A13	CABLE ASSEMBLY Ground	72	10
88238A20	CABLE ASSEMBLY	66	31	882751	RELAY	12	14
884330T01	BEARING ASSEMBLY Tapered	88	27	88439A26	CABLE ASSEMBLY Battery - Negative	12	27
88439A35	CABLE ASSEMBLY Battery - Positive	12	26	885342002	SENSOR ASSEMBLY	14	21
885361A01	FITTING ASSEMBLY Flush	8	6	88552512	SCREW (M6 x 12 MM) Stainless Steel	4	3
88552512	SCREW (M6 x 12 MM) Stainless Steel	34	13	88552514	SCREW (M6 x 14 MM) Stainless Steel	16	7
88552516	SCREW (M6 x 16 MM) Stainless Steel	52	15	88552525	SCREW (M6 x 25 MM) Stainless Steel	4	11
88552525	SCREW (M6 x 25 MM) Stainless Steel	8	16	88552525	SCREW (M6 x 25 MM) Stainless Steel	12	6
88552525	SCREW (M6 x 25 MM) Stainless Steel	16	2	88552525	SCREW (M6 x 25 MM) Stainless Steel	18	3
88552525	SCREW (M6 x 25 MM) Stainless Steel	24	15	88552525	SCREW (M6 x 25 MM) Stainless Steel	34	4
88552525	SCREW (M6 x 25 MM) Stainless Steel	36	4	88552525	SCREW (M6 x 25 MM) Stainless Steel	40	30
88552525	SCREW (M6 x 25 MM) Stainless Steel	52	12	88552530	SCREW (M6 x 30 MM) Stainless Steel	10	6

# PARTS INDEX

Part No.	Description	Pg.	Ref.no	Part No.	Description	Pg.	Ref.no
88552530	SCREW (M6 x 30 MM) Stainless Steel	12	21	88552540	SCREW (M6 x 40 MM) Stainless Steel	36	8
88552540	SCREW (M6 x 40 MM) Stainless Steel	48	4	88552545	SCREW (M6 x 45 MM) Stainless Steel	8	18
88552545	SCREW (M6 x 45 MM) Stainless Steel	46	17	88552635	SCREW (M8 x 35 MM)	42	4
88552635	SCREW (M8 x 35 MM)	50	5	88552645	SCREW (M8X45)	14	15
88750	WASHER	68	11	888483	SEAL Oil	88	31
888823001	SHIFT DETENT ASSEMBLY	18	17	888958001	PLUG Flush Port	8	8
888988001	CLAMP (36.1 mm)	34	2	888988022	CLAMP	34	20
889664	NUT (1.500-18) Black Nylon	12	13	889823001	TETHER Flush Plug	8	5
891663001	SENSOR ASSEMBLY Temperature	22	24	892073002	SHOULDER SCREW (M6)	8	12
89238	SEAL Oil	76	32	89238	SEAL Oil	80	32
892454035	BOLT (M6 x 36)	38	9	89302	WASHER (.203 x .406 x .040)	66	18
893540	PIN Dowel, 8x12 long	46	3	893709	PIN	68	7
893902A01	O-RING KIT	72	13	893929A01	VALVE KIT Relief	72	2
895054	SCREW (M4 x 16 MM)	22	25	895054	SCREW (M4 x 16 MM)	100	6
895319	GROMMET	28	20	895810050	SCREW (M8 x 50)	46	9
896523	O-RING (2.175 x .103)	76	33	896523	O-RING (2.175 x .103)	80	33
896895	NUT (M12)	74	8	896895	NUT (M12)	92	15
896895	NUT (M12)	94	15	897445501	SCREW (M6 x 20 MM)	20	4
897445501	SCREW (M6 x 20 MM)	22	4	897526T	IAC VALVE	22	13
897535005	SPRING Throttle Cam Return	22	23	897716001	NUT Plastic-Key Switch	54	9
897716451	KEY SET Ignition (451) with Mercury Logo	54	10	897716457	KEY SET Ignition (457) with Mercury Logo	54	10
897716460	KEY SET Ignition (460) with Mercury Logo	54	10	897716461	KEY SET Ignition (461) with Mercury Logo	54	10
897716462	KEY SET Ignition (462) with Mercury Logo	54	10	897716463	KEY SET Ignition (463) with Mercury Logo	54	10
897716821	KEY SET Ignition (821) with Mercury Logo	54	10	897716830	KEY SET Ignition (830) with Mercury Logo	54	10
897716831	KEY SET Ignition (831) with Mercury Logo	54	10	897716832	KEY SET Ignition (832) with Mercury Logo	54	10
897716841	KEY SET Ignition (841) with Mercury Logo	54	10	897716847	KEY SET Ignition (847) with Mercury Logo	54	10
897716850	KEY SET Ignition (850) with Mercury Logo	54	10	897716851	KEY SET Ignition (851) with Mercury Logo	54	10
897716852	KEY SET Ignition (852) with Mercury Logo	54	10	897716853	KEY SET Ignition (853) with Mercury Logo	54	10
897716K01	SWITCH KIT Ignition (3 Position) With Keys	54	8	897926	NUT (M12), Nylon Insert	66	30
897936	WASHER	22	22	897937	WASHER	22	20
898093	WASHER Wave	22	19	898836	O-RING Brown	38	28
899044	LATCH	18	2	899145	CLIP Tie Strap	12	2
899145	CLIP Tie Strap	34	26	899203	DECAL On/Off/Start	54	13
8M0006054	RETAINER	4	12	8M0008047	STUD (M12 x 179)	92	8
8M0008047	STUD (M12 x 179)	94	8	8M0010459	FILLER BLOCK	76	23
8M0010459	FILLER BLOCK	80	23	8M0012661	SCREW	14	5
8M0012661	SCREW	34	10	8M0021043	SENSOR ASSEMBLY Fuel and Water	32	8
8M0021044	BOWL	30	3	8M0021044	BOWL	32	3
8M0021532	SCREW (M12 x 40 MM)	38	26	8M0022324	SCREW (M6 x 25 MM)	8	2
8M0025709	IMPELLER Water Pump	96	3	8M0029113	PIN Cross	86	30
8M0029113	PIN Cross	88	39	8M0029215	WATER TUBE	92	7
8M0029215	WATER TUBE	94	7	8M0029306	RING Retaining	76	13
8M0030779	THRUST RING	86	17	8M0030784	WASHER Keyed	86	25
8M0030784	WASHER Keyed	88	34	8M0030784	WASHER Keyed	92	12
8M0030784	WASHER Keyed	94	12	8M0030785	RETAINER Bearing Carrier	86	26
8M0030785	RETAINER Bearing Carrier	88	36	8M0030817	SCREW (M6 X 70) Hex Fig	8	27
8M0030845	O-RING 3.975X.210	86	18	8M0030845	O-RING 3.975X.210	88	26
8M0030856	SPOOL Bearing Carrier	86	19	8M0031018	FOLLOWER Cam (LH)	88	11
8M0031370	BUSHING	60	25	8M0031453	ROLLER	18	5
8M0031503	SHIFT SHAFT Long	80	11	8M0031504	SHIFT SHAFT X-Long	80	11
8M0031504	SHIFT SHAFT X-Long	94	11	8M0032502	WASHER Keyed	84	25
8M0032833	KEY	76	25	8M0032833	KEY	80	25
8M0032833	KEY	96	7	8M0032848	RETAINER Switch	8	3
8M0034043	GROMMET Water Tube	52	9	8M0034861	BUSHING Swivel Tube Pivot	66	15
8M0034870	SEAL Swivel Tube	66	14	8M0034874	SCREW (M3 x 0.5)	54	19
8M0034875	NUT (M3 x 0.5 Hex)	56	21	8M0034912	O-RING 3.78 X 21.32	44	10
8M0035249	BUSHING (6.452 MM ID) Flanged	18	14	8M0035476	GROMMET Water Tube	52	2
8M0035700	HOSE ASSEMBLY FLUSH SYSTEM	34	18	8M0036228	O-RING (8.1 X 1.6)	48	8
8M0036238	COUPLING Water Pump	76	19	8M0036238	COUPLING Water Pump	80	19
8M0037098	CLIP Hose	24	9	8M0037204	SCREW Nylon, Push-In (.25-20 x .50)	24	10
8M0037209	GROMMET FSM Retainer	24	11	8M0037225	TRIM SWITCH Round Bezel	8	4



# PARTS INDEX

Part No.	Description	Pg.	Ref.no	Part No.	Description	Pg.	Ref.no
8M0038275	DRAIN Cowl	42	8	8M0039082	CAP Chap Support	74	13
8M0042636	NUT (.375-24) Brass	62	11	8M0042636	NUT (.375-24) Brass	66	10
8M0042642	WASHER (.323 x .562 x .063)	62	3	8M0043174	O-RING	36	3
8M0043365	SEAL Strainer	52	14	8M0043705	DECAL M-Icon, 60 MM Black Cowl-Front, MERCURY	6	10
8M0044991	IGNITION COIL Ignition Dual Output	16	1	8M0045298	HOSE Sprayer	34	17
8M0045759	PIN Cross	86	12	8M0045759	PIN Cross	88	16
8M0047301	SEAL Flush Plug Pocket	8	7	8M0047718	SCREW (M5 X 8MM)	8	20
8M0047885	FUSE COVER With Spares	12	15	8M0047945	SPRING Retaining	86	13
8M0047945	SPRING Retaining	88	15	8M0047992	PLUG (10 MM)	38	7
8M0047995	PLUG (18 MM)	46	6	8M0047995	PLUG (18 MM)	50	2
8M0047996	PLUG (24 MM)	38	6	8M0047997	PLUG (30 MM)	38	5
8M0047997	PLUG (30 MM)	46	8	8M0048146	PLUG (10MM)	46	7
8M0048484	OIL PICKUP TUBE ASSEMBLY	46	12	8M0049906	PLUG Oil Tray	14	4
8M0050013	FITTING Exhaust Cooling	34	15	8M0050423	WASHER .020	90	42
8M0050424	WASHER .022	90	42	8M0050425	WASHER .024	90	42
8M0050427	WASHER .026	90	42	8M0050428	WASHER .028	90	42
8M0050429	WASHER .030	90	42	8M0050430	WASHER .032	90	42
8M0050431	WASHER .034	90	42	8M0050432	WASHER .036	90	42
8M0050433	WASHER .038	90	42	8M0050434	WASHER .040	90	42
8M0050435	WASHER .042	90	42	8M0050436	WASHER .044	90	42
8M0050437	WASHER .046	90	42	8M0050438	WASHER .048	90	42
8M0050439	WASHER .050	90	42	8M0050560	WASHER	18	4
8M0050720	GASKET	76	29	8M0050720	GASKET	80	29
8M0051399	STOPPER	60	23	8M0053078	SHIFT SHAFT Lower, X-Long	76	11
8M0053078	SHIFT SHAFT Lower, X-Long	92	11	8M0053099	THRUST RING	84	17
8M0053512	O-RING	52	5	8M0053725	FSM BOTTOM HOUSING	26	19
8M0053726	FSM TOP HOUSING	26	2	8M0053726	FSM TOP HOUSING	28	1
8M0053727	FSM CAP	26	9	8M0053727	FSM CAP	28	8
8M0053734	TUBE Water	26	17	8M0053735	TUBE Fuel	26	14
8M0053749	REGULATOR ASSEMBLY	26	4	8M0053749	REGULATOR ASSEMBLY	28	5
8M0053755	TUBE Suction	26	15	8M0053755	TUBE Suction	28	10
8M0053756	SCREW Plastite W/ HX WSR HD	26	1	8M0053756	SCREW Plastite W/ HX WSR HD	28	2
8M0054533	GUIDE Valve	38	4	8M0054536	RETAINER Valve	38	14
8M0054537	KEY Valve	38	15	8M0054695	SLEEVE Propeller Bore	86	27
8M0054695	SLEEVE Propeller Bore	88	35	8M0055044	HARNESSTachometer, V 6.0	100	13
8M0055154	STRIKER ASSEMBLY	8	17	8M0055166	HOOK Top Cowl Latch Front	4	2
8M0055179	SEAL Adapter Plate	42	2	8M0055186	LATCH ASSEMBLY	4	10
8M0055189	LINK - LATCH Rear	4	7	8M0055191	HANDLE, LATCH	4	6
8M0055202	PLATE Ingress Mounting	8	19	8M0055208	GROMMET Ingress	8	22
8M0055209	ADAPTER Rigging Hose	8	23	8M0055211	RETAINER - LATCH Top Cowl	8	11
8M0055214	COVER Upper Mount, Port	8	14	8M0055215	TELLTALE	34	8
8M0055216	COVER Upper Mount Starboard	8	13	8M0055260	DOWEL PINS	72	6
8M0055698	HOSE	34	6	8M0055699	HOSE	34	1
8M0056181	COVER Lower Mount	66	27	8M0056483	HOSE	34	25
8M0056564	COVER Upper Mount	66	5	8M0056573	LOWER MOUNT ASSEMBLY	66	26
8M0056610	SEAT Intake Valve	38	3	8M0056611	SEAT Exhaust Valve	38	2
8M0056643	DECAL Read Manual	6	12	8M0056666	GROUND STRAP Starter	14	22
8M0056684	SEAL	52	16	8M0056685	HOSE	34	24
8M0056686	SEAL	52	7	8M0056774	UPPER MOUNT ASSEMBLY	66	4
8M0056839	WASHER Upper Mount Snubber	66	2	8M0056980	SEAL Rear Latch	4	8
8M0057218	GROMMET	52	10	8M0057408	FITTING	34	11
8M0057585	RING Retaining	44	6	8M0057586	SPACER Seal	44	8
8M0057599	TUBING (8 ID X 14 OD X 840 MM)	34	22	8M0057601	HOSE IACV	22	28
8M0057620	HOSE Flush	34	21	8M0057657	TENSIONER ASSEMBLY Timing Chain	38	27
8M0057676	FUEL SUPPLY MODULE Dual Pump	24	12	8M0057676	FUEL SUPPLY MODULE Dual Pump	26	-
8M0057679	FSM SEAL KIT	26	-	8M0057706	HOSE ASSEMBLY Speedometer	74	11
8M0057724	BEARING ASSY Roller, Tapered	86	5	8M0057742	BEARING Needle	84	3
8M0057742	BEARING Needle	86	3	8M0057747	GEAR HOUSING Basic	80	1
8M0057747	GEAR HOUSING Basic	86	1	8M0057747	GEAR HOUSING Basic	88	1
8M0057748	OIL SEAL CARRIER ASSEMBLY	76	31	8M0057748	OIL SEAL CARRIER ASSEMBLY	80	31

# PARTS INDEX

Part No.	Description	Pg.	Ref.no	Part No.	Description	Pg.	Ref.no
8M0057749	ROD Clutch Actuator	84	8	8M0057749	ROD Clutch Actuator Design 1	86	8
8M0057749	ROD Clutch Actuator Design 1	88	13	8M0057936	SPARK PLUG NGK ZFR5F	16	4
8M0057936	SPARK PLUG NGK ZFR5F	102	-	8M0058458	BRACKET ASSEMBLY Shift Link	18	1
8M0058484	GROMMET	42	6	8M0058695	PIN Dowel	38	20
8M0058847	LONG BLOCK ASSEMBLY (75 -100 HP)	46	-	8M0058943	LEVER Sensor	18	11
8M0059003	LONG BLOCK ASSEMBLY	46	-	8M0059235	LINK Throttle Assembly	22	11
8M0059955	SCREW (M10 X 1.5 X 110)	46	4	8M0060147	SKEG	86	-
8M0060147	SKEG Command Thrust 2.38:1	98	-	8M0060213	SHIFT SHAFT ASSEMBLY	18	15
8M0060350	TRAY High Tension Lead	16	6	8M0060353	OIL DIPSTICK ASSEMBLY	46	5
8M0060385	SCREW (M6 X 1 X 37) Hex Flg HD	22	12	8M0060392	STRAINER ASSEMBLY	52	13
8M0060404	TUBE Water, Long	52	11	8M0060420	HARNESS 6 Pin	32	9
8M0060421	HARNESS Adapter	32	10	8M0060503	BRACKET Map Sensor	22	2
8M0060614	HOSE	24	4	8M0061040	REPAIR KIT Water Pump-Upper	78	-
8M0061040	REPAIR KIT Water Pump-Upper	82	-	8M0061165	SCREW - SHOULDER (M8 X 1.25)	38	24
8M0061328	STRAINER Snap Fit	34	14	8M0061361	GASKET	22	9
8M0061362	GASKET	22	10	8M0061494	HOSE	24	8
8M0061853	RESTRICTOR	20	2	8M0061994	CLIP	34	5
8M0062044	PIN Mounting	22	30	8M0062044	PIN Mounting	50	6
8M0062770	PUMP ASSY High Pressure	26	12	8M0062770	PUMP ASSY High Pressure	28	12
8M0062771	PUMP ASSY Low Pressure	26	11	8M0062771	PUMP ASSY Low Pressure	28	13
8M0063266	SHIM SET	84	7	8M0063267	SHIM SET	76	37
8M0063267	SHIM SET	82	37	8M0063267	SHIM SET	92	5
8M0063267	SHIM SET	94	5	8M0063268	SHIM SET	76	39
8M0063268	SHIM SET	82	39	8M0063268	SHIM SET	92	6
8M0063268	SHIM SET	94	6	8M0063269	SHIM SET	86	7
8M0063490	SCREW (M4 X .7 X 16 MM)	22	7	8M0063572	HOSE	24	7
8M0063632	BUSHING Flanged	18	16	8M0064033	WASHER .865 X .635 SPECIAL	82	42
8M0064177	WASHER Thrust	88	21	8M0064306	SPACER	88	30
8M0064369	BEARING ADAPTER Reverse Gear	88	10	8M0064432	WASHER Thrust	88	4
8M0064752	END CAP Cam Tensioner	38	29	8M0064964	OIL PLUG ASSEMBLY	48	5
8M0065046	SPOOL Bearing Carrier	84	19	8M0065093	CAP Oil Fill	36	2
8M0065103	FILTER Oil	14	7	8M0065168	CLUTCH Sliding	84	11
8M0065417	PIN Cross	84	12	8M0065430	BEARING Ball	84	16
8M0065566	O-RING	84	18	8M0066130	SCREW- HALF DOG POINT SET	88	23
8M0068644	THROTTLE CAM ASSEMBLY	22	21	8M0068703	GROMMET	48	9
8M0068703	GROMMET	74	9	8M0069479	SEAL Camshaft Cover	36	6
8M0069653	BEARING CARRIER Retainer	84	26	8M0069658	SHIFT SHAFT Lower, Long	76	11
8M0069690	SCREW (M10 X 1.5 X 60)	42	5	8M0070256	SLEEVE Prop Bore	84	27
8M0070367	MOUNT - TUBULAR 8MM	14	10	8M0070368	SPACER (8.3 I.D. X 11.8 O.D.)	14	12
8M0070369	SPACER (8.3 I.D. X 11.8 O.D.)	14	11	8M0070951	STUD (M12 x 1.75 x 52)	74	6
8M0071039	FITTING - OIL FILTER	14	6	8M0071078	SCREW (M6 X 85) Hex Flg	8	26
8M0071081	CLIP -WIRE	36	7	8M0071176	LATCH Control Cable	18	19
8M0071178	SCREW (M12)	74	5	8M0071509	BOLT (M8 X 80) HEX FLG	14	14
8M0071547	WASHER (66 X 21 X 6.35 MM)	10	4	8M0071554	RING Retaining	80	13
8M0071554	RING Retaining	84	4	8M0071554	RING Retaining	86	4
8M0071622	SPACER Driveshaft Housing X-Long	92	1	8M0071622	SPACER Driveshaft Housing X-Long	94	1
8M0071653	SCREW Special	86	21	8M0071653	SCREW Special	88	32
8M0071654	NUT (.625-18 HX)	78	43	8M0071654	NUT (.625-18 HX)	92	9
8M0071815	BOLT Shoulder, Throttle Lever	22	16	8M0072550	FOLLOWER Cam, (RH)	84	9
8M0072550	FOLLOWER Cam, (RH)	86	9	8M0072563	NUT HEX	40	31
8M0072790	GASKET Voltage Regulator	12	22	8M0072821	COVER Electrical Plate	12	19
8M0073002	SCREW (M6 X 20), Hex Flg	8	10	8M0073102	GROMMET Trim Sensor Wires	8	21
8M0073119	HOSE	24	5	8M0073701	DECAL Jet Power MERCURY	6	3
8M0073719	STUD Ball End, (M9 X 1)	38	13	8M0074531	PLUG Anode Screw	8	28
8M0075152	LINK Shift	18	10	8M0075215	WATER SEPARATING FUEL FILTER KIT With Electronic Water Sensor Vessel Mounted	98	-
8M0075694	CLIP - SNAP	4	9	8M0075735	SCREW (M6 X 30) Hex Flg	8	25
8M0075736	SCREW (M6 X 50) Hex Flg	8	24	8M0075779	FITTING	34	23
8M0075817	WASHER (.50 X 1.75 X .125)	66	29	8M0075859	PIN - SPRING, Slotted	4	5
8M0076452	RETAINER ASSEMBLY	18	7	8M0076745	SHIM SET	90	42
8M0077071	SCREW/SEAL KIT	84	21	8M0077229	BUSHING Swivel	22	15

# PARTS INDEX

Part No.	Description	Pg.	Ref.no	Part No.	Description	Pg.	Ref.no
8M0077490	CAM Shift	84	10	8M0077490	CAM Shift	86	10
8M0077490	CAM Shift	88	12	8M0077655	COVER, COIL	16	5
8M0077848	LEVER ASSEMBLY Throttle Follower	22	14	8M0078540	GASKET	48	2
8M0078615	HOSE - OIL PICKUP	46	14	8M0079640	CABLE ASSEMBLY	66	32
8M0079868	HOSE	24	3	8M0080152	DECAL M-ICON, 29 mm Handle-Rear, MERCURY	6	11
8M0080233	DECAL Rear, 75 HP MERCURY	6	5	8M0080233	DECAL Rear, 75 HP	6	16
8M0080234	DECAL Rear, 80 HP MERCURY	6	6	8M0080235	DECAL Rear, 90 HP MERCURY	6	7
8M0080235	DECAL Rear, 90 HP	6	17	8M0080236	DECAL Rear, 100 HP MERCURY	6	8
8M0080237	DECAL Rear, 115 HP MERCURY	6	9	8M0080237	DECAL Rear, 115 HP	6	18
8M0080425	RAIL ASSEMBLY Fuel	20	5	8M0080470	DECAL Rear, 65 HP MERCURY	6	4
8M0082052	WASHER Snubber	66	28	8M0082326	WASHER Snubber	66	34
8M0082471	SERVICE MANUAL 75/90/115 EFI 4S	2	-	8M0082528	THROTTLE AND SHIFT CABLE GEN2 - 5 ft.	96	-
8M0082528	THROTTLE AND SHIFT CABLE GEN2 - 5 ft.	98	-	8M0082895	SCREW (M10 X 1.5 X 95) HX HD	36	9
8M0082988	SENSOR Crankshaft Position	14	1	8M0084244	PIN Dowel	76	4
8M0084244	PIN Dowel	80	4	8M0084244	PIN Dowel	92	14
8M0084244	PIN Dowel	94	14	8M0084245	PIN Spring Locator	86	32
8M0084245	PIN Spring Locator	90	41	8M0084726	PIN Dowel	38	19
8M0084888	SNUBBER	66	25	8M0085515	SCREW (#8 - 32 x .375)	58	14
8M0085666	GROMMET	52	4	8M0086290	CONNECTOR Barb	30	6
8M0086290	CONNECTOR Barb	32	6	8M0086406	BRACKET Anchor	68	24
8M0087542	TRIM LIMIT KIT-A2D Analog to Digital Conversion	98	-	8M0087844	OPERATION MANUAL 75-115 EFI FourStroke, English	2	-
8M0087850	SEAL Top Cowl	4	13	8M0087973	PARTS MANUAL 75-115 4-Stroke	2	-
8M0087994	TOP COWL ASSEMBLY Mercury Decaled	4	1	8M0087995	TOP COWL ASSEMBLY Gray, Non-Decaled	4	1
8M0088014	SPARK PLUG Wire Set	16	3	8M0088056	DECAL SET - MERCURY	6	1
8M0088057	DECAL SET MARINER	6	19	8M0088058	FLYWHEEL COVER	10	1
8M0088059	STATOR ASSEMBLY Complete	10	7	8M0088060	WIRING HARNESS - MAIN	12	1
8M0088061	ECM 75HP 4S	12	11	8M0088062	ECM 90HP 4S	12	11
8M0088063	ECM 115HP 4S	12	11	8M0088064	STARTER MOTOR	14	9
8M0088065	INTAKE MANIFOLD ASSEMBLY	22	8	8M0088066	THROTTLE BODY ASSEMBLY	22	5
8M0088067	CAMSHAFT COVER ASSEMBLY	36	5	8M0088068	MUFFLER Idle Relief	52	1
8M0088072	GEARCASE Complete Long	76	-	8M0088072	GEARCASE Complete Long	84	-
8M0088073	GEARCASE Complete CT Long	80	-	8M0088073	GEARCASE Complete CT Long	86	-
8M0088074	GEARCASE Complete X-Long	76	-	8M0088074	GEARCASE Complete X-Long	84	-
8M0088075	GEARCASE Complete CT X-Long	80	-	8M0088075	GEARCASE Complete CT X-Long	86	-
8M0088076	GEARCASE Complete CT CXL	80	-	8M0088076	GEARCASE Complete CT CXL	88	-
8M0088077	SHAFT Propeller (RH)	84	14	8M0088077	SHAFT Propeller (RH)	86	14
8M0088079	SHAFT - PROPELLER LH	88	25	8M0088080	GEARCASE SEAL KIT	78	-
8M0088080	GEARCASE SEAL KIT	84	-	8M0088081	GEARCASE SEAL KIT	82	-
8M0088081	GEARCASE SEAL KIT	86	-	8M0088194	SCREW (M12 X 120) Hex Flg HD	66	1
8M0088280	LOWER COWL ASSEMBLY Port and Starboard (NON DECALED)	8	1	8M0088281	LOWER COWL ASSEMBLY Front	8	9
8M0088290	NUT (M12 X 1.75) Hex	66	6	8M0088310	DECAL Command Thrust MERCURY	6	2
8M0088334	DECAL SET Port Starboard and Rear, 75 HP MARINER	6	20	8M0088335	DECAL SET Port Starboard and Rear, 80 HP MARINER	6	21
8M0088336	DECAL SET Port Starboard and Rear, 90 HP MARINER	6	22	8M0088337	DECAL SET Port Starboard and Rear, 100 HP MARINER	6	23
8M0088338	DECAL SET Port Starboard and Rear, 115 HP MARINER	6	24	8M0088351	VOLTAGE REGULATOR	12	20
8M0088745	GASKET Adapter Plate/Block	42	1	8M0088822	HOSE KIT Rigging	98	-
8M0088853	HANDLE, LATCH	4	6	8M0088855	HOSE ASSEMBLY Cylinder Block Water Pressure, Analog	98	-
8M0088881	SWIVEL BRACKET ASSEMBLY	66	33	8M0089111	SENDER Cylinder Block Water Pressure, Digital	98	-
8M0089940	MOTOR KIT	72	16	8M0089941	CYLINDER ASSEMBLY	72	9
8M0089942	SHOCK ROD KIT	72	14	8M0089943	MANIFOLD KIT	72	1
8M0089944	PUMP ASSEMBLY	72	18	8M0089945	VALVE KIT	72	3
8M0089946	SCREW KIT Complete Trim	72	15	8M0089947	O-RING KIT Power Trim	72	-
8M0090335	POWER TRIM ASSEMBLY Standard	70	1	8M0090403	COUPLING Drive	72	17
8M0090404	VALVE KIT Trim Limit	72	4	8M0090442	SKEG	78	-
8M0090442	SKEG	84	-	8M0090442	SKEG Standard 2.07:1	98	-
8M0090447	PRESSURE SENSOR KIT Digital Pitot	98	-	8M0090765	SHORT BLOCK ASSEMBLY	46	-
8M0090772	VALVE Exhaust	38	11	8M0090774	VALVE Intake	38	12
8M0090775	CAMSHAFT ASSEMBLY	38	18	8M0090776	GASKET Cylinder Head	36	10

# PARTS INDEX

Part No.	Description	Pg.	Ref.no	Part No.	Description	Pg.	Ref.no
8M0090777	CRANKSHAFT ASSEMBLY	44	9	8M0090778	CONNECTING ROD ASSEMBLY	44	3
8M0090779	MAIN BEARING Orange	44	11	8M0090780	CONNECTING ROD BEARING Orange	44	5
8M0090781	PISTON ASSEMBLY	44	1	8M0090783	RING SET - PISTON	44	2
8M0090787	BRACKET FSM	74	2	8M0090795	FLYWHEEL ASSEMBLY	10	5
8M0090797	MAIN BEARING White	44	11	8M0090799	CHAIN GUIDE	38	22
8M0090800	CHAIN BLADE	38	21	8M0090806	CHAIN Cam Drive	38	25
8M0090807	OIL PICKUP ASSEMBLY	46	-	8M0090808	OIL PUMP ASSEMBLY	46	10
8M0090809	FILTER	24	1	8M0090809	FILTER	102	-
8M0090812	BELL MOUTH ASSEMBLY	20	1	8M0090814	HOUSING IACV	22	26
8M0090816	TRAY - OIL DRIP	14	3	8M0090819	THERMOSTAT ASSEMBLY	34	3
8M0090819	THERMOSTAT ASSEMBLY	102	-	8M0090822	GASKET	50	4
8M0090823	EXHAUST MANIFOLD ASSEMBLY	50	1	8M0090828	BEARING Needle Roller	76	40
8M0090831	DRIVESHAFT Long	76	18	8M0090832	GEAR Reverse 29T	84	15
8M0090833	TOP COWL ASSEMBLY Mariner Decaled	4	1	8M0091290	CYLINDER HEAD ASSEMBLY	36	1
8M0091290	CYLINDER HEAD ASSEMBLY	38	-	8M0091291	CYLINDER HEAD ASSEMBLY Bare	38	1
8M0091361	CYLINDER BLOCK ASSEMBLY	46	1	8M0091376	CONNECTING ROD BEARING White	44	5
8M0091377	CONNECTING ROD BEARING Blue	44	5	8M0091378	MAIN BEARING Blue	44	11
8M0091379	MAIN BEARING Green	44	11	8M0091526	ADAPTER PLATE	42	3
8M0091527	DRIVESHAFT HOUSING Long	74	1	8M0091528	OIL SUMP	48	3
8M0091529	EXHAUST PIPE	52	8	8M0091530	SWIVEL TUBE ASSEMBLY	66	7
8M0091531	TRANSOM BRACKET Port	68	29	8M0091532	TRANSOM BRACKET Starboard	68	28
8M0091533	YOKE Bottom	66	23	8M0091534	TRIM TAB	76	10
8M0091534	TRIM TAB	98	-	8M0091538	GEARCASE Basic	76	1
8M0091538	GEARCASE Basic	84	1	8M0091607	JET PUMP ASSEMBLY	96	-
8M0091607	JET PUMP ASSEMBLY	98	-	8M0091789	TOP COWL ASSEMBLY Black, Non-Decaled	4	1
8M0092054	EXTENSION KIT	92	-	8M0092054	EXTENSION KIT Standard 2.07:1	98	-
8M0092061	EXTENSION KIT	94	-	8M0092061	EXTENSION KIT Command Thrust 2.38:1	98	-
8M0092349	PLATE - ELECTRICAL	12	7	8M0094340	DRIVESHAFT X-Long	80	18
8M0094340	DRIVESHAFT X-Long	94	2	8M0094341	DRIVESHAFT X-Long	76	18
8M0094341	DRIVESHAFT X-Long	92	2	8M0094357	PIN Shock Rod	70	2
8M0094470	GEAR SET Forward/Pinion	84	2	8M0094472	TAPERED ROLLER BEARING, SET	84	5
8M0094474	GEAR SET Forward/Pinion	86	2	8M0094476	DRIVESHAFT Long	80	18
8M0094479	CLUTCH Sliding, 6 Jaw	86	11	8M0094479	CLUTCH Sliding, 6 Jaw	88	14
8M0094481	GEAR Reverse 31T	86	15	8M0094483	GEAR SET FORWARD/PINION (31T LH)	88	17
8M0094485	TAPERED ROLLER BEARING SET	88	18	8M0094486	ADAPTER Bearing, Forward Gear	88	20
8M0094488	LOCK NUT	88	22	8M0094490	SHIM SET	88	24
8M0094495	BEARING CARRIER C/R	88	29	8M0094497	BEARING Needle Roller	88	9
8M0094499	BEARING SET Tapered Roller	88	5	8M0094500	GEAR Reverse 31T	88	2
8M0094502	RING Internal Retaining	88	3	8M0094529	COMPLETE WATER PUMP REPAIR KIT	78	-
8M0094529	COMPLETE WATER PUMP REPAIR KIT	82	-	8M0094529	COMPLETE WATER PUMP REPAIR KIT	102	-
8M0094530	REPAIR KIT Water Pump Impeller	78	-	8M0094530	REPAIR KIT Water Pump Impeller	82	-
8M0094683	CYLINDER HEAD ASSEMBLY	36	1	8M0094683	CYLINDER HEAD ASSEMBLY	38	-
8M0094684	CAMSHAFT ASSEMBLY	38	18	8M0094686	DECAL Maintenance Schedule	12	24
8M0094923	SENSOR ASSEMBLY Trim	66	17	8M0095036	TACHOMETER KIT Transom Mount	100	1
8M0095037	TACHOMETER KIT 7 K -Helm Mount (Black)	100	-	8M0095297	OPERATIONS MANUAL 75-115 4 Stroke SeaPro	2	-
8M0095674	BASE ASSEMBLY Fuel Filter	30	1	8M0095674	BASE ASSEMBLY Fuel Filter	32	1
8M0096243	MOUNTS - UPPER	66	4	8M0096296	TOP COWL ASSEMBLY Mercury, SeaPro Decaled without Horsepower	4	1
8M0096707	SPRING Compression	86	31	8M0096707	SPRING Compression	88	40
8M0097226	TACHOMETER KIT Helm Mount	98	-	8M0097226	TACHOMETER KIT Helm Mount	100	12
8M0097838	FUEL FILTER KIT	30	-	8M0097854	SERVICE KIT 75-115 HP 4S (100 Hour)	102	-
8M0097855	SERVICE KIT 75-115HP 4S (300 Hour)	102	-	8M0098218	DECAL Maintenance Schedule	12	23
8M0098463	SPOOL Bearing Carrier	86	19	8M0098513	SPACER Shift Bracket	98	-
8M0098515	ECM 80HP 4S	12	11	8M0098517	ECM 100HP 4S	12	11
8M0098614	DECAL SET SeaPro	6	15	8M0098622	ECM 75HP 4S SeaPro	12	11
8M0098623	ECM 90HP 4S SeaPro	12	11	8M0098624	ECM 115HP 4S SeaPro	12	11
8M0098627	CYLINDER HEAD ASSEMBLY	36	1	8M0098627	CYLINDER HEAD ASSEMBLY	38	-
8M0098628	CYLINDER HEAD ASSEMBLY	36	1	8M0098628	CYLINDER HEAD ASSEMBLY	38	-
8M0098630	CAMSHAFT ASSEMBLY	38	18	8M0098631	CAMSHAFT ASSEMBLY	38	18
8M0098632	VALVE Intake	38	12	8M0098633	VALVE Exhaust	38	11
8M0099412	GAUGE HOUSING	100	3	8M0099907	GEAR HOUSING Basic	80	1

# PARTS INDEX

Part No.	Description	Pg.	Ref.no	Part No.	Description	Pg.	Ref.no
8M0099907	GEAR HOUSING Basic	84	1	8M0099907	GEAR HOUSING Basic	86	1
8M0099907	GEAR HOUSING Basic	88	1	8M0099915	GEARCASE Complete CT L	80	-
8M0099915	GEARCASE Complete CT L	86	-	8M0099916	GEARCASE Complete CT XL	80	-
8M0099916	GEARCASE Complete CT XL	86	-	8M0099917	GEARCASE Complete, CT CXL	80	-
8M0099917	GEARCASE Complete, CT CXL	88	-	8M0100102	REMOTE WATER IN FUEL FILTER KIT With Electronic Water Sensor Vessel Mounted	98	-
8M0100266	COVER, Electrical Plate	12	19	8M0100502	POWER TRIM ASSEMBLY	70	-
8M0100509	PISTON ASSEMBLY Memory	72	12	8M0102751	GEARCASE Complete, CT CL	80	-
8M0102751	GEARCASE Complete, CT CL	88	-	8M0102962	ROD CLUTCH ACTUATOR	86	29
8M0102962	ROD CLUTCH ACTUATOR	88	38	8M0103095	FILTER Fuel-Water Separating (11/16-16 Thread)	30	4
8M0103095	FILTER Fuel-Water Separating (11/16-16 Thread)	32	4	8M0103848	NUT ASSEMBLY	62	6
8M0104733	TACHOMETER KIT Transom Mount	98	-	8M0104733	TACHOMETER KIT Transom Mount	100	1
8M0104795	SPACER, SHIFT BRACKET Jet Outboards Only	18	18	8M0104795	SPACER, SHIFT BRACKET	96	-
8M0109543	FUEL FILTER KIT Remote Water Separating	32	-	8M0112712	JET PUMP KIT	96	-
8M0116532	ECM 65HP 4S Jet	12	11	8M0116533	ECM 80HP 4S Jet	12	11
8M0116793	FUEL FILTER KIT	30	2	8M0120073	TUBE Water	28	16
8M0120367	ACTUATOR KIT Double Acting Shift Design 2	86	28	8M0120367	ACTUATOR KIT Double Acting Shift Design 2	88	37
8M0121260	CYLINDER HEAD ASSEMBLY	36	1	8M0121260	CYLINDER HEAD ASSEMBLY	38	-
8M0121261	CAMSHAFT ASSEMBLY	38	18	8M0122427	LONG BLOCK ASSEMBLY	46	-
8M0124369	LANYARD ASSEMBLY 54 in	62	15	8M0127334	POPPET SEAL KIT	72	-
8M0130873	TUBE Fuel	28	17	8M0130878	FSM BOTTOM HOUSING	28	19
8M0132733	FUEL SUPPLY MODULE Dual Pump	28	-	8M0133370	FSM SEAL KIT	28	-
8M0136052	SCREW	60	11	8M0136054	BOLT	60	18
8M0136057	NUT Cap	60	12	8M0136060	E RING	60	19
8M0138447	CLIP Lanyard Fork, Spare	54	17	8M0139007	SHOCK ROD KIT	72	14
8M0144930	ALARM ASSEMBLY Audio Warning	54	18	8M0156748	DECAL SET Mercury 65-150 HP 4S	6	13
8M0157383	WASHER (26.9 MM x 13.5 MM x 2.7)	66	22	8M0158048	GRIP ASSEMBLY Heated	64	1
8M0158400	HEATED GRIP KIT	64	-	8M0159539	TOP COWL ASSEMBLY Mercury Decaled	4	1
8M0159890	DECAL Lenz Mercury	6	14	8M0161094	CHASSIS Tiller	58	1
8M0161096	BRACKET Rear Assembly with Tilt Lock	60	1	8M0161098	CLAMP Toe	60	15
8M0161099	BUSHING Bearing	60	4	8M0161100	BUSHING	60	24
8M0161101	SCREW M10 X 1.5 HEX HD S.S	60	21	8M0161102	SCREW Adjustment	60	22
8M0161103	LEVER Tilt	60	3	8M0161104	SCREW M4X0.7X12, SOC FLAT HD	58	11
8M0161104	SCREW M4X0.7X12, SOC FLAT HD	60	2	8M0161105	SHIFT HANDLE ASSEMBLY	58	5
8M0161106	SCREW	58	3	8M0161107	COVER Shift Handle	58	2
8M0161108	SHIFT LEVER	58	16	8M0161109	BRACKET Shift Mounting	58	12
8M0161110	FLANGE BUSHING	58	6	8M0161111	FLANGE BUSHING	58	15
8M0161112	BRACKET Shift Mounting	58	24	8M0161113	SCREW M6X1.0X10	58	13
8M0161114	DETENT ASSEMBLY	58	18	8M0161115	BRACKET HARNESS	58	35
8M0161116	NEUTRAL SWITCH	56	20	8M0161118	CLIP Cable Tie	54	6
8M0161119	TRIM SWITCH ASSEMBLY	56	23	8M0161120	SWITCH LANYARD ASSEMBLY	54	14
8M0161121	HARNESS ASSEMBLY	54	5	8M0161124	BEZEL Power Trim Switch	58	10
8M0161125	CLAMP	58	32	8M0161126	THROTTLE TUBE	58	7
8M0161127	PIN Split Lock	58	40	8M0161128	PIN Clevis	58	34
8M0161129	THROTTLE SHAFT	58	41	8M0161130	THROTTLE BRACKET	58	33
8M0161131	FRICTION CLAMP	58	23	8M0161132	PILLOW SUPPORT	58	39
8M0161133	BUSHING	58	38	8M0161134	WASHER	58	36
8M0161135	SCREW M4x16	58	37	8M0161136	COTTER PIN	58	27
8M0161137	FRICTION KNOB	58	25	8M0161138	DECAL Throttle Friction	58	26
8M0161139	THROTTLE GEAR ASSEMBLY	58	31	8M0161140	DECAL Tiller Handle	54	2
8M0161141	SCREW M4x0.7x6.0	54	4	8M0161143	CAP Key	54	12
8M0161144	COVER Tiller Handle (SeaPro)	54	1	8M0161145	BEZEL No Power Trim Switch	58	10
8M0161146	HEATED GRIP BUTTON	64	2	8M0161147	LOWER BRACKET	60	17
8M0161150	SHIFT AND THROTTLE CABLE KIT 65-115 Standard	62	16	8M0161157	SCREW	62	14
8M0161158	TAB WASHER	62	13	8M0161159	TAB WASHER	62	12
8M0161258	PINION	58	30	8M0161295	DECAL Spare Clip	54	16
8M0161296	DECAL Attach Lanyard	54	15	8M0161363	DISPLAY No Troll Control	54	3
8M0161683	DENT CAM Tilt	60	5	8M0161684	LOCKING TAB	60	6
8M0161685	SPRING Compression	60	9	8M0161686	TILT SHAFT	60	8
8M0161687	GROOVED PIN	60	7	8M0162829	FILTER Oil	102	-

# PARTS INDEX

Part No.	Description	Pg.	Ref.no	Part No.	Description	Pg.	Ref.no
8M0162829	FILTER Oil	102	-	8M0166001	GRIP ASSEMBLY	58	-
8M2001570	CLIP	20	7	8M2014338	SEAL Face	76	22
8M2014338	SEAL Face	80	22	8M2014338	SEAL Face	96	8
8M2100378	HARNESS Starter	12	25	8M2100452	HARNESS Data Extension 10 Pin	100	2
8M4503518	SCREW (M6 X 1.0 X 20)	96	2	8M6000385	CLAMP (39.6 MM)	46	13
8M6000634	PRESSURE SENSOR	14	8	8M6001398	ELECTRICAL HARNESS ASSEMBLY	26	20
8M6001577	O-RING M6 X 46	46	11	8M6001733	CLIP - RELAY, DOUBLE NAIL	12	17
8M6001923	FUSE 40 AMP	12	28	8M6002064	FITTING 8MM	24	17
8M6002065	FITTING 10MM	24	17	8M6002225	SEAL Top Main Bearing	44	7
8M6002402	BEARING - THRUST	46	16	8M6002428	FUEL INJECTOR	20	6
8M6002637	BOLT Connecting Rod	44	4	8M6002690	SCREW	72	11
8M6003156	CLAMP (34 mm)	46	15	8M6004776	HARNESS ASSEMBLY	28	22
8M6102000	SPRING Valve	38	17	8M6105000	SEAL ASSEMBLY Valve Stem	38	16
8M6106000	ROLLER FINGER FOLLOWER	38	10	91800	KEY Woodruff	44	12
92721	WASHER	78	42	92876A12	LINK ROD ASSEMBLY	66	8
98727	FITTING Grease	68	16	99615	PIN Groove	68	2
99633	KNOB	68	1	NSS	NOT SOLD SEPARATE O-Ring	26	3
NSS	NOT SOLD SEPARATE O-Ring	26	5	NSS	NOT SOLD SEPARATE O-Ring	26	6
NSS	NOT SOLD SEPARATE Seal	26	7	NSS	NOT SOLD SEPARATE O-Ring	26	8
NSS	NOT SOLD SEPARATE Seal	26	10	NSS	NOT SOLD SEPARATE O-Ring	26	13
NSS	NOT SOLD SEPARATE O-Ring	26	16	NSS	NOT SOLD SEPARATE Seal	26	18
NSS	NOT SOLD SEPARATE O-Ring	26	21	NSS	NOT SOLD SEPARATE O-Ring	26	22
NSS	NOT SOLD SEPARATE Spacer	26	23	NSS	NOT SOLD SEPARATE O-Ring	28	3
NSS	NOT SOLD SEPARATE Spacer	28	4	NSS	NOT SOLD SEPARATE O-Ring	28	6
NSS	NOT SOLD SEPARATE Seal	28	7	NSS	NOT SOLD SEPARATE O-Ring	28	9
NSS	NOT SOLD SEPARATE Seal	28	11	NSS	NOT SOLD SEPARATE Seal	28	14
NSS	NOT SOLD SEPARATE O-Ring	28	15	NSS	NOT SOLD SEPARATE Seal	28	18
NSS	NOT SOLD SEPARATE O-Ring	28	23	NSS	NOT SOLD SEPARATE O-Ring	28	24
NSS	NOT SOLD SEPARATE	38	8	NSS	NOT SOLD SEPARATE	46	2
NSS	NOT SOLD SEPARATE O-RING	50	3	NSS	NOT SOLD SEPARATE INNER GRIP	58	8
NSS	NOT SOLD SEPARATE OUTER GRIP	58	9	NSS	NOT SOLD SEPARATE STUD	58	17
NSS	NOT SOLD SEPARATE SPRING	58	19	NSS	NOT SOLD SEPARATE GUIDE	58	20
NSS	NOT SOLD SEPARATE ROLLER	58	21	NSS	NOT SOLD SEPARATE	76	36
NSS	NOT SOLD SEPARATE	78	41	NSS	NOT SOLD SEPARATE	82	36
NSS	NOT SOLD SEPARATE	82	41	NSS	NOT SOLD SEPARATE	84	6
NSS	NOT SOLD SEPARATE Cup	86	6	NSS	NOT SOLD SEPARATE	88	6
NSS	NOT SOLD SEPARATE	88	19	NSS	NOT SOLD SEPARATE	88	28
NSS	NOT SOLD SEPARATE TACHOMETER 7K - Black	100	4	NSS	NOT SOLD SEPARATE TACHOMETER 7K - Black	100	14