

Parts Manual

Cat.# 90-8M0155664

Revised 09-16-2020

TABLE OF CONTENTS

Cat.# 90-8M0155664

Service/Support Material	1
Top Cowl	3
Decals	5
Accent Panel	7
Lower Cowl	9
Flywheel and Tensioner Assembly	13
Electrical Plate	15
PCM/Sensors Electrical	17
Ignition	19
Starter Motor	21
Alternator Mounting/Belt	23
Oil System	25
Fuel System	27
Fuel Supply Module	29
Fuel Filter with WIF- Boat Mounted	31
Intake System Supercharger	33
Cooling System	37
Cylinder Block	41
Cylinder Head and Camshaft	45
Camshaft Cover	49
Crankshaft, Pistons and Connecting Rods	51
Adapter Plate	53
Exhaust	55
Mount Cradle	59
Power Trim/Transom Assembly	61
Power Trim Components	65
Driveshaft Housing	67
Gear Housing, Driveshaft, 5.44 Torpedo, 1.60	69
Gear Housing, Prop Shaft - Standard Rotation, 5.44 Torpedo, 1.60	77
Gear Housing, Prop Shaft - Counter Rotation, 5.44 Torpedo 1.60	83
Gear Housing, Driveshaft, Sport Master 1.60	89
Gear Housing, Prop Shaft-Standard Rotation, Sport Master, 1.60	97
Gear Housing, Prop Shaft-Counter Rotation, Sport Master 1.60	101
Tie Bar	105
Driveshaft Extension Kits	107
Accessories	109
Tools	113

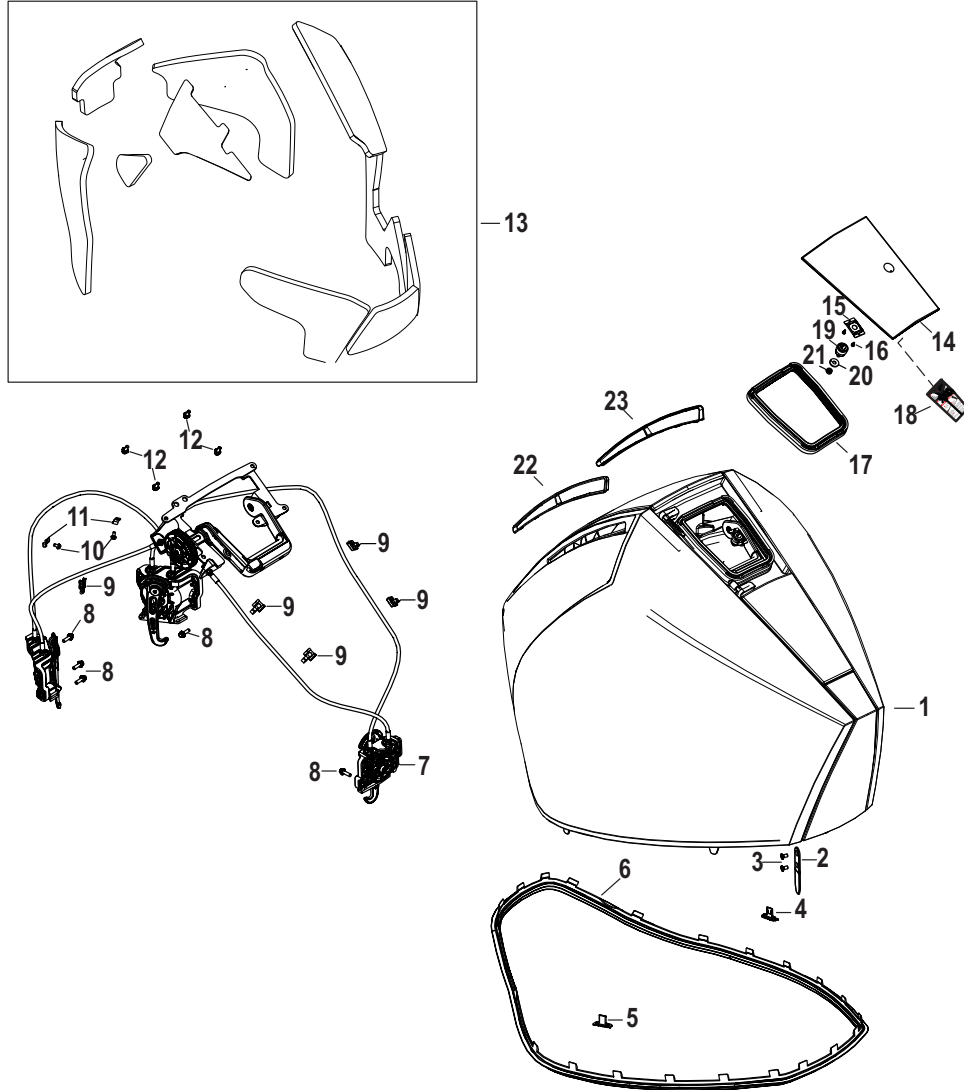
Cat.# 90-8M0155664

Service/Support Material

Ref #	Part Class	Part Number	Description	Comments	Qty	Note
-		8M0155664	PARTS MANUAL 450R 4.6L V8 4 Stroke		1	
-	0090	8M0141650	SERVICE MANUAL 450R HP V8 4 STROKE		1	
-	0090	8M0141651	INSTALLATION MANUAL 450R 4.6L V8 4 STROKE		1	
-	0090	8M0141652	OPERATION MANUAL		1	
-	0090	8M0153888	MANUAL 450R Diagnostic		1	
-		NSS	NOT SOLD SEPARATE DECAL, EPA	(Contact Mercury Marine Warranty Administration for Replacement-Service Bulletin 2009-18)	1	

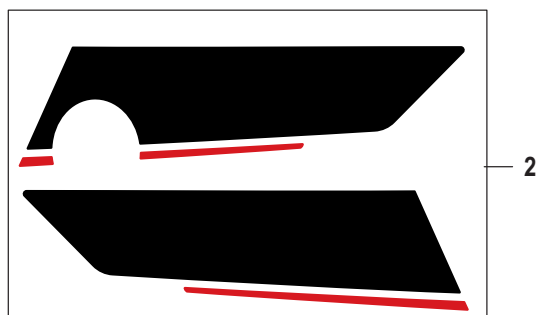
Service/Support Material

Top Cowl



Top Cowl

Ref #	Part Class	Part Number	Description	Comments	Qty	Note
1	0100	8M0159576	TOP COWL ASSEMBLY Black, Decaled without Accent Panel Decal Set		1	
1	0100	8M0159577	TOP COWL ASSY COLD FUSION, White		1	
2	0000	8M0142904	ALIGNMENT LEG		4	
3		NSS	NOT SOLD SEPARATE SCREW		8	
4	0000	8M0142916	BUMPER Port		1	
5	0000	8M0142915	BUMPER Starboard		1	
6	0000	8M0142906	SEAL Top Cowl		1	
7	0000	8M0142242	COWL LATCH ASSEMBLY		1	
8	0010	8M0103806	SCREW (M6 x 20 MM) Stainless Steel		10	
9	0054	8M0142903	CLIP		7	
10	0010	8M0142955	SCREW (M5 x 0.8)		2	
11	0054	8M0142954	CLIP		2	
12	0010	88552514	SCREW (M6 x 14 MM) Stainless Steel		8	
13	0000	8M0159578	SOUND BLANKET KIT		1	
14	0100	8M0142238	DOOR ASSEMBLY Black		1	
14	0100	8M0142239	DOOR ASSEMBLY Cold Fusion, White		1	
15	0000	8M0142913	KEEPER ASSEMBLY		1	
16		NSS	NOT SOLD SEPARATE SCREW		2	
17	0025	8M0142908	SEAL Door		1	
18	0037	8M0148533	DECAL Latch Position		1	
19	0000	8M0142907	LOCK PUSH		1	
20	0015	8M0142914	SHIM LATCH		1	
21	0011	401386	NUT (M6) Stainless Steel		1	
22	0000	8M0159579	BEZEL INTAKE Starboard		1	
23	0000	8M0159580	BEZEL INTAKE Port		1	



68556

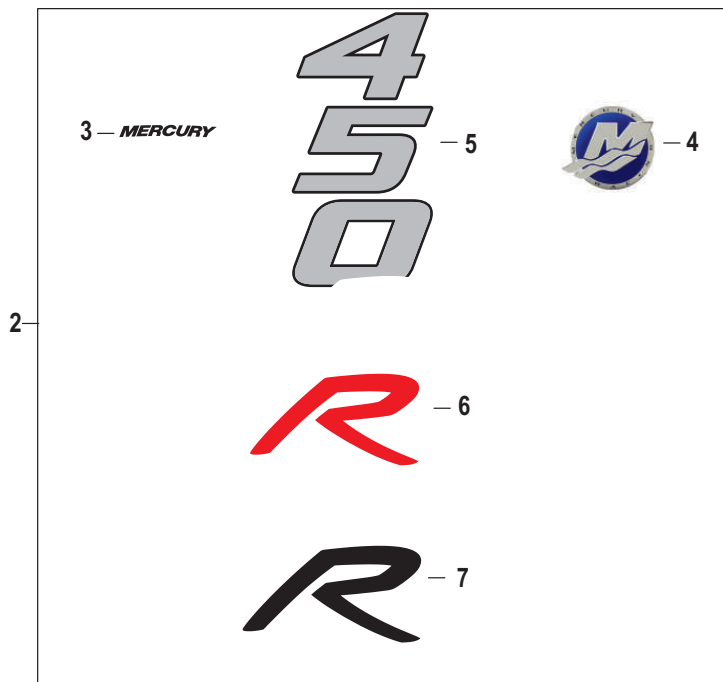
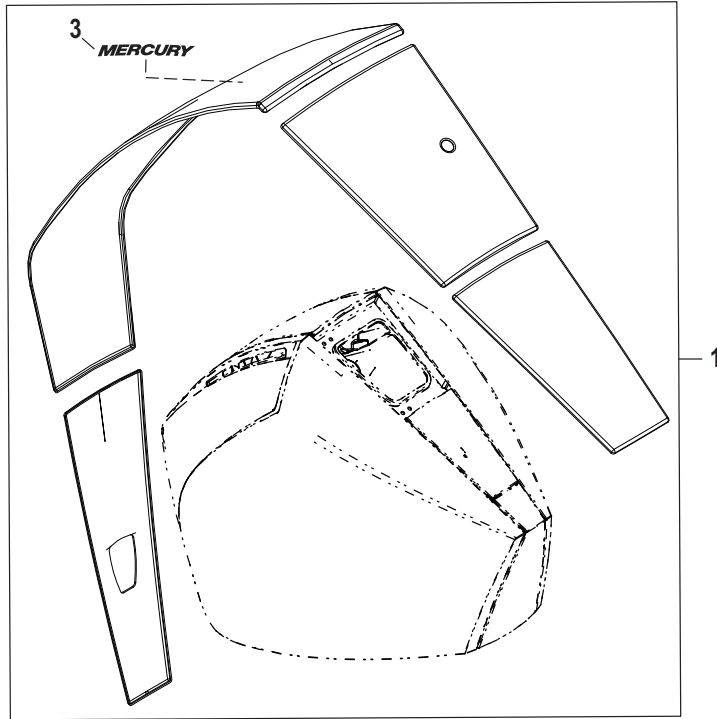
Cat.# 90-8M0155664

Decals

Ref #	Part Class	Part Number	Description	Comments	Qty	Note
1	0037	8M0159581	DECAL SET Top Cowl, 450R		1	
2	0037	8M0143773	DECAL SET	Lower Cowl	1	
3	0037	8M0151525	DECAL MICON 53 MM, Racing		1	
4	0037	8M0080153	M-ICON 66 MM Racing		1	
5	0037	8M0146963	DECAL AMS		1	

Decals

Accent Panel

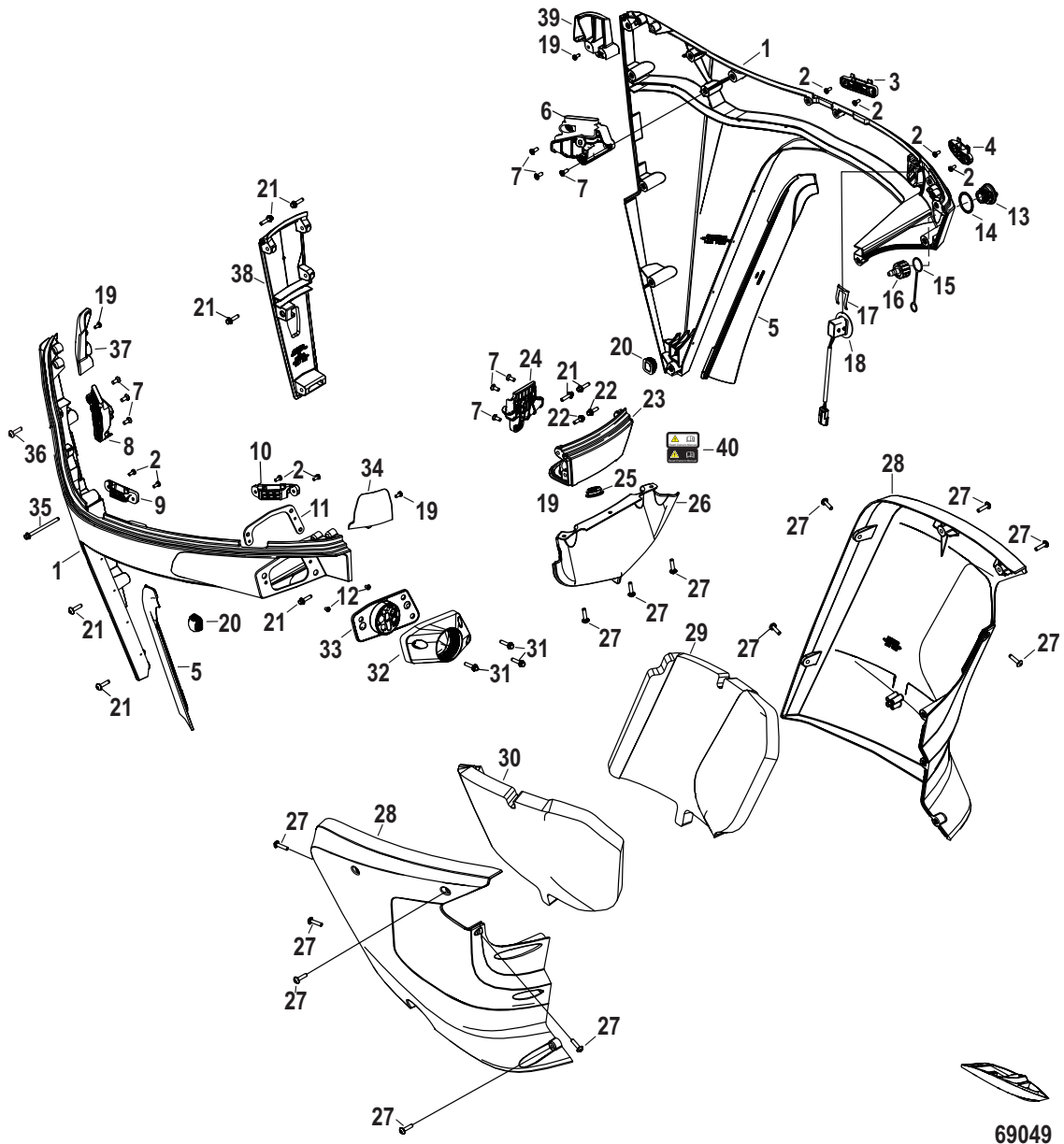


68558

Accent Panel

Ref #	Part Class	Part Number	Description	Comments	Qty	Note
1	0094	8M0147691	ACCENT COWL ASSEMBLY Devil Eye Red		1	
1	0094	8M0147689	ACCENT COWL ASSEMBLY Graphite Grey		1	
1	0094	8M0148622	ACCENT COWL ASSEMBLY Carbon Fiber		1	
1		NSS	NOT SOLD SEPARATE	Accent Cowl Assembly Paint Ready	1	
2	0037	8M0159923	DECAL SET Accent Panel, 450R		1	
3	0037	8M0149565	DECAL Mercury, Black	Devil Eye Red or Graphite Grey	1	
3	0037	8M0147920	DECAL Mercury, Silver	Carbon Fiber	1	
4	0037	8M0080153	M-ICON 66 MM Racing		1	
5	0037	8M0159582	DECAL REAR 450R		1	
6	0037	8M0149566	DECAL Red, R	Graphite Grey or Carbon Fiber option	1	
7	0037	8M0149568	DECAL Black, R	Devil Eye Red	1	

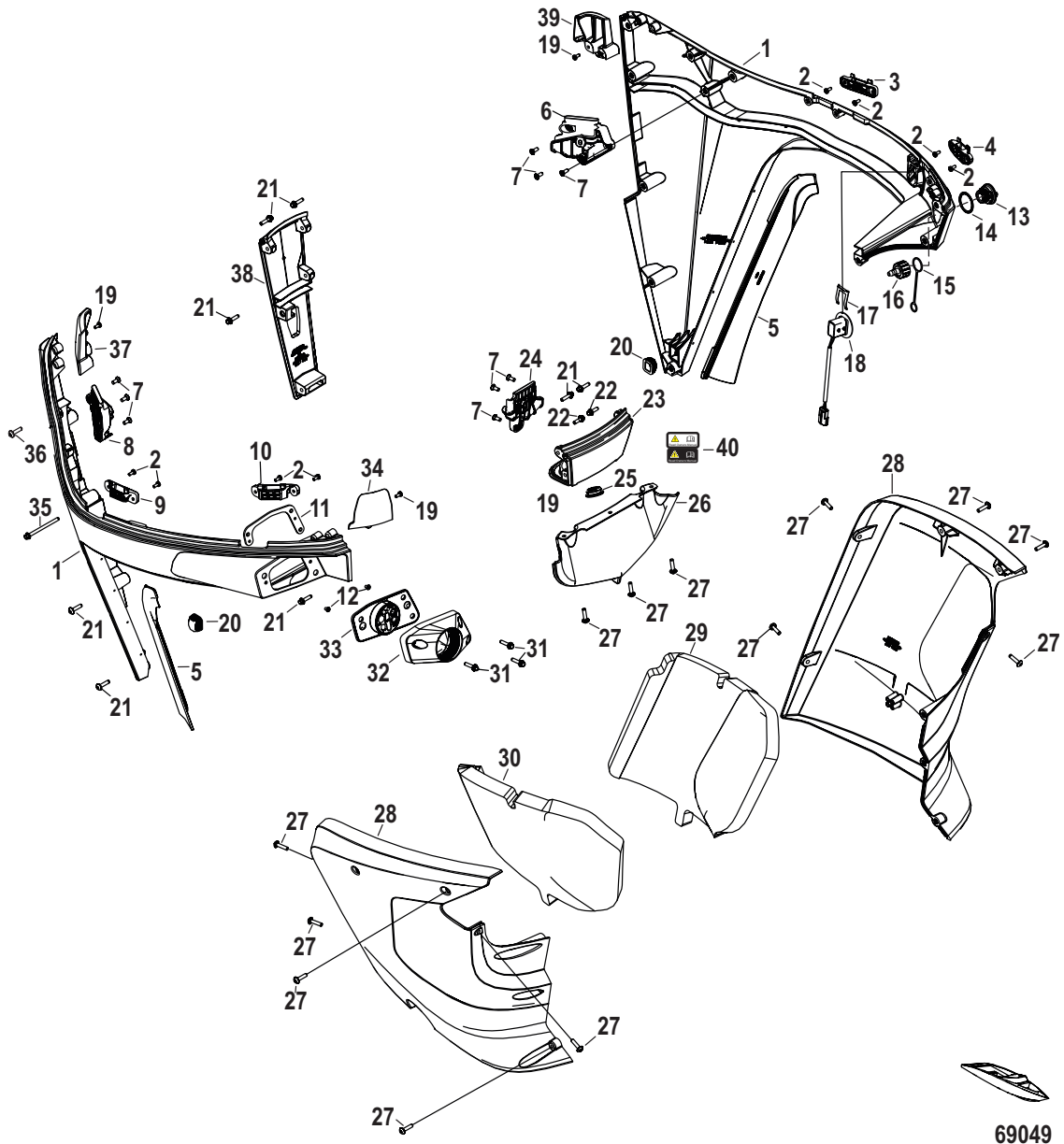
Lower Cowl



Lower Cowl

Ref #	Part Class	Part Number	Description	Comments	Qty	Note
1	0100	8M0159583	LOWER COWL ASSY BLACK Port and Starboard		1	
1	0100	8M0159584	LOWER COWL ASSY COLD FUSION WHITE Port and Starboard		1	
2	0010	8M0142918	SCREW (M5 x 12)		8	
3	0000	8M0142923	RETAINER Rear, Port		1	
4	0000	8M0142922	RETAINER Front, Port		1	
5	0000	8M0159585	SEAL LOWER FRONT SEAL		1	
6	0000	8M0142919	STRIKER ASSEMBLY Port		1	
7	0010	8M0142921	SCREW (M6 X 16)		9	
8	0000	8M0142925	STRIKER ASSEMBLY Starboard		1	
9	0000	8M0142930	RETAINER Rear, Starboard		1	
10	0000	8M0142929	RETAINER Front, Starboard		1	
11	0000	8M0142972	PLATE		1	
12	0010	8M0047718	SCREW (M5 X 8MM)		2	
13	0022	888958001	PLUG Flush Port		1	
14	0025	8M0159588	SEAL FLUSH PLUG		1	
15	0000	889823001	TETHER Flush Plug		1	
16	0022	885361A01	FITTING ASSEMBLY Flush		1	
17	0000	8M0032848	RETAINER Switch		1	
18	0087	8M0037225	TRIM SWITCH Round Bezel		1	
19	0010	8M0142918	SCREW (M5 x 12)		3	
20	0000	8M0142940	BUMPER		2	
21	0010	8M0022324	SCREW (M6 x 25 MM)		8	
22	0010	8M0073002	SCREW (M6 X 20), Hex Flg		2	
23	0100	8M0142709	LOWER FRONT COWL ASSEMBLY Black		1	
23	0100	8M0142717	LOWER FRONT COWL ASSEMBLY Cold Fusion, White		1	
24	0000	8M0142932	STRIKER ASSEMBLY Front		1	
25	0025	8M0142941	GROMMET		1	
26		8M0162572	COVER CRADLE Front, Graphite Grey		1	
26	0100	8M0162573	COVER CRADLE Front, Cold Fusion, White		1	
NS	0000	8M0142960	SOUND BLANKET	Front	1	
27	0010	8M0142822	SCREW (M6 x T30)		16	
28	0100	8M0159591	COVER CRADLE ASSEMBLY Cold Fusion, White		1	
28	0100	8M0159592	COVER CRADLE ASSEMBLY Graphite Grey		1	
29	0000	8M0142939	SOUND BLANKET	Port	1	
30	0000	8M0142957	SOUND BLANKET	Starboard	1	
31	0010	8M0075735	SCREW (M6 X 30) Hex Flg		3	
32	0000	8M0142935	ADAPTER		1	
33	0025	8M0146955	GROMMET Large Hole, DTS		1	
34	0000	8M0142944	GUIDE Front, Starboard		1	
35	0010	8M0071078	SCREW (M6 X 85) Hex Flg		1	

Lower Cowl

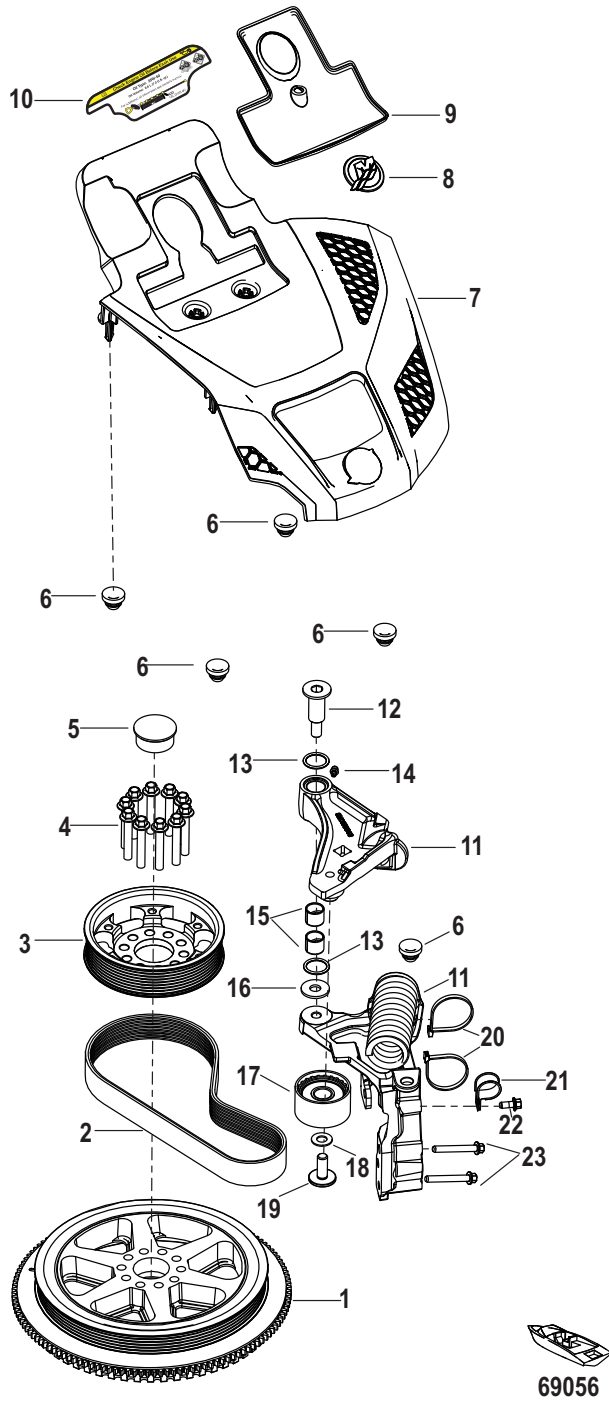


69049

Lower Cowl

Ref #	Part Class	Part Number	Description	Comments	Qty	Note
36	0010	8M0142933	SCREW (M6 x 40)		1	
37	0000	8M0142942	GUIDE Rear, Starboard		1	
38	0100	8M0142223	LOWER REAR COWL ASSEMBLY Black		1	
38	0100	8M0142225	LOWER REAR COWL ASSEMBLY Cold Fusion, White		1	
39	0000	8M0142943	GUIDE Rear, Port		1	
40	0037	8M0142371	DECAL Read Manual, Black	Black Models	1	
40	0037	8M0142577	DECAL Read Manual, Clear	Cold Fusion White Models	1	

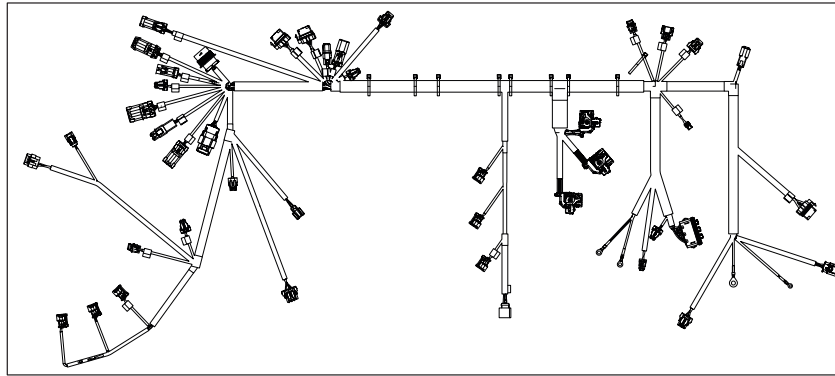
Flywheel and Tensioner Assembly



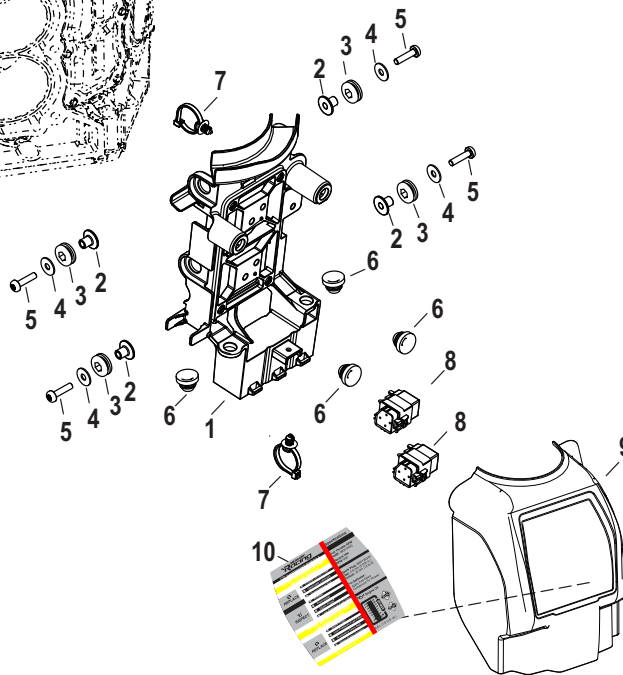
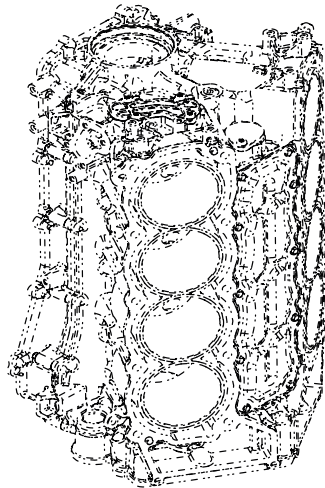
Flywheel and Tensioner Assembly

Ref #	Part Class	Part Number	Description	Comments	Qty	Note
1	0200	8M0159593	FLYWHEEL		1	
2	0057	8M0159595	BELT		1	
3	0000	8M0159594	FLYWHEEL PULLEY		1	
4	0010	8M0159596	SCREW M8 x 1 x 150 HEX FLANGE HD		10	
5	0019	8M0142389	PLUG Flywheel		1	
6	0025	8M0096302	GROMMET		5	
7	0000	8M0159597	COVER, FLYWHEEL ASSEMBLY		1	
8	0037	8M0080154	DECAL M-ICON, Blue		1	
9	0025	8M0142470	GROMMET		1	
10	0037	8M0159598	DECAL Check Engine Oil		1	
11	0000	8M0164060	TENSIONER ASSEMBLY		1	
12		8M0175978	SCREW Tensioner		1	
13	0025	896522	O-RING (799 x .103)		2	
14	0022	98727	FITTING Grease		1	
15	0023	823943	BUSHING		2	
16	0012	4002320	WASHER		1	
17	0000	8M0164261	PULLEY Idler		1	
18	0012	841388	WASHER (.410 x .810 x .050) Stainless Steel		1	
19	0010	885349501	SCREW		1	
20	0054	816311T	TIE STRAP (8.00 Inches)		1	
21	0054	866029	CLAMP		1	
22	0010	88552514	SCREW (M6 x 14 MM) Stainless Steel		1	
23	0010	8M0103817	SCREW (M8 x 60)		1	

Electrical Plate



11

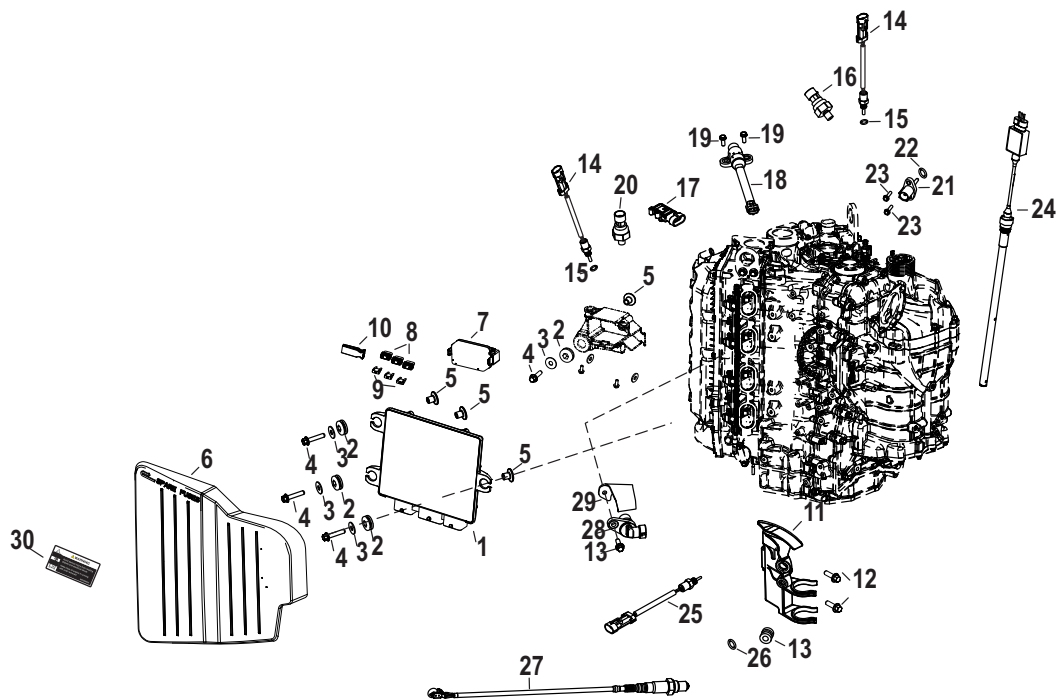


69066

Electrical Plate

Ref #	Part Class	Part Number	Description	Comments	Qty	Note
1	0000	8M0159601	PLATE ELECTRICAL		1	
2	0023	856954	BUSHING		4	
3	0025	834985	GROMMET		4	
4	0012	65567	WASHER (.265 x .750 x .048) Stainless Steel		4	
5	0010	8M0142686	SCREW (M6 x 25)		4	
6	0025	8M0096302	GROMMET		4	
7	0054	899145	CLIP Tie Strap		2	
8	0000	882751	RELAY		2	
9	0000	8M0142479	COVER Electrical Plate		1	
10	0037	8M0159602	DECAL Maintenance Schedule		1	
11	0084	8M0159599	HARNESS Engine Wiring		1	

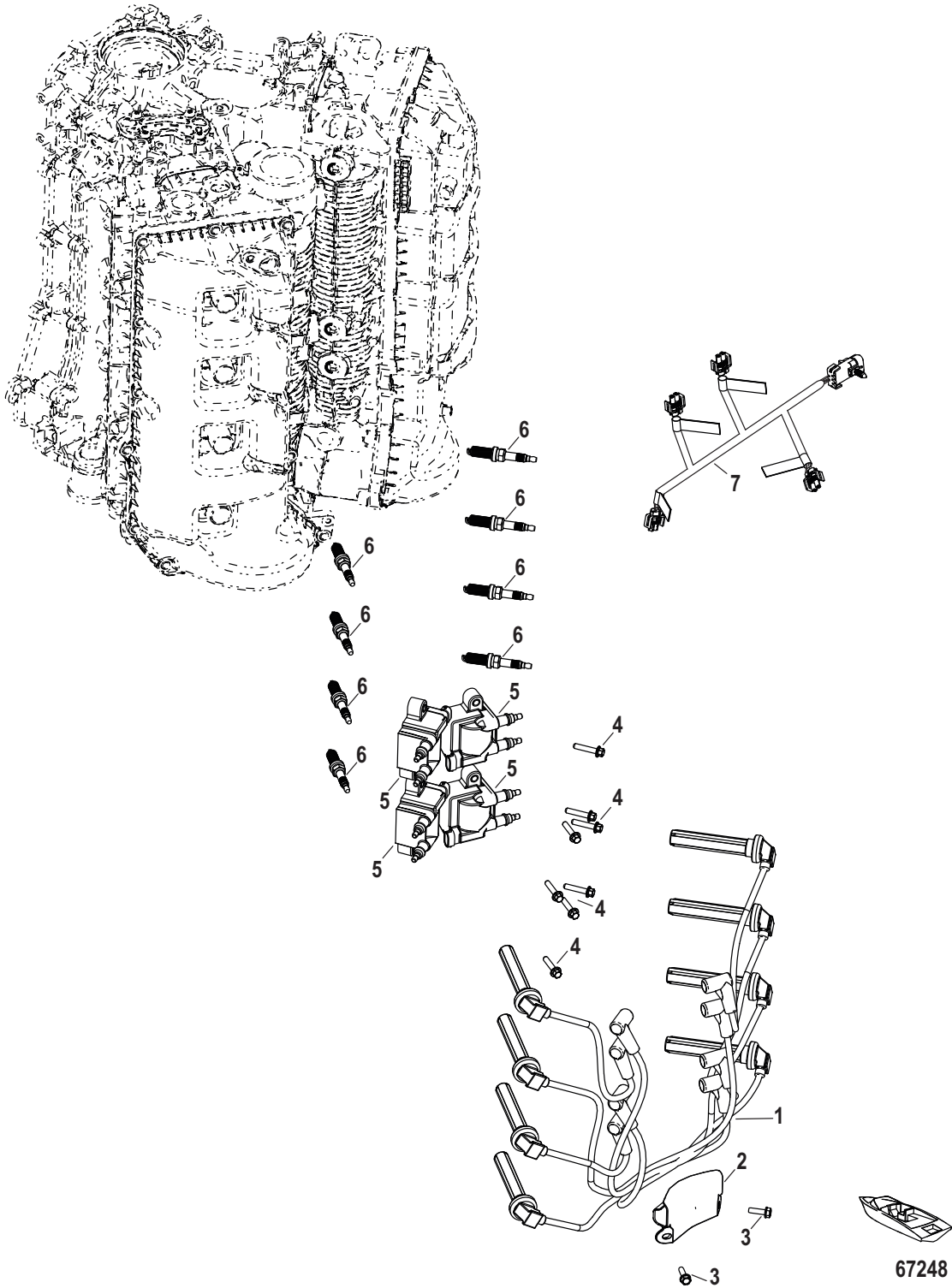
PCM/Sensors Electrical



PCM/Sensors Electrical

Ref #	Part Class	Part Number	Description	Comments	Qty	Note
1		NSS	NOT SOLD SEPARATE	PCM 450R	1	
2	0025	834985	GROMMET		4	
3	0012	65567	WASHER (.265 x .750 x .048) Stainless Steel		4	
4	0010	8M0103807	SCREW (M6 x 25 MM) Stainless Steel		4	
5	0023	856954	BUSHING		4	
6	0000	8M0159607	COVER ECU		1	
7	0000	8M0159606	COVER FUSE BOX		1	
8	0000	8M0047886	HOLDER Spare Fuse		3	
9	0088	8329692	FUSE Mini - Gray - 2 Ampere		1	
9	0088	832969T05	FUSE Mini - Tan - 5 Ampere		1	
9	0088	83296910	FUSE Mini - Red - 10 Ampere		1	
9	0088	832969T15	FUSE Mini - Blue - 15 Ampere		1	
9	0088	832969T20	FUSE Mini - Yellow - 20 Ampere		4	
10	0000	895099	EXTRACTOR Fuse		1	
11	0000	8M0159619	BRACKET 14 PIN MOUNT		1	
12	0010	8M0103806	SCREW (M6 x 20 MM) Stainless Steel		3	
13	0025	8M0153609	GROMMET		1	
14	0000	8M0142542	SENSOR Temperature		2	
15	0025	896699	O-RING (1.78 mm x .08 mm)		2	
16	0071	8M0142688	SENSOR Pressure	Oil and Water	1	
17	0000	8M0142690	SENSOR MAP		1	
18	0000	8M0082988	SENSOR Crankshaft Position		1	
19	0010	40011106	SCREW (M5 x 13) Stainless Steel		2	
20	0000	8M0159600	SENSOR Pressure	Fuel	1	
21	0000	891663001	SENSOR ASSEMBLY Temperature	Intake Air	1	
22	0027	8M0142578	GASKET MAT Sensor		1	
23	0010	40056107	SCREW (M5 x 16)		2	
24	0000	8M0142265	SENSOR Oil Level		1	
25	0000	8M0142689	SENSOR Temperature	Exhaust	1	
26	0025	896699	O-RING (1.78 mm x .08 mm)		1	
27	0000	8M0142695	SENSOR Oxygen		1	
28	0000	8M0011987	SENSOR	Cam Position	1	
29	0000	8M0142691	BRACKET Cam Sensor		1	
30	0037	8M0142569	DECAL Warning	3-in-1	1	
-	0084	8M0159599	HARNESS Engine Wiring		1	

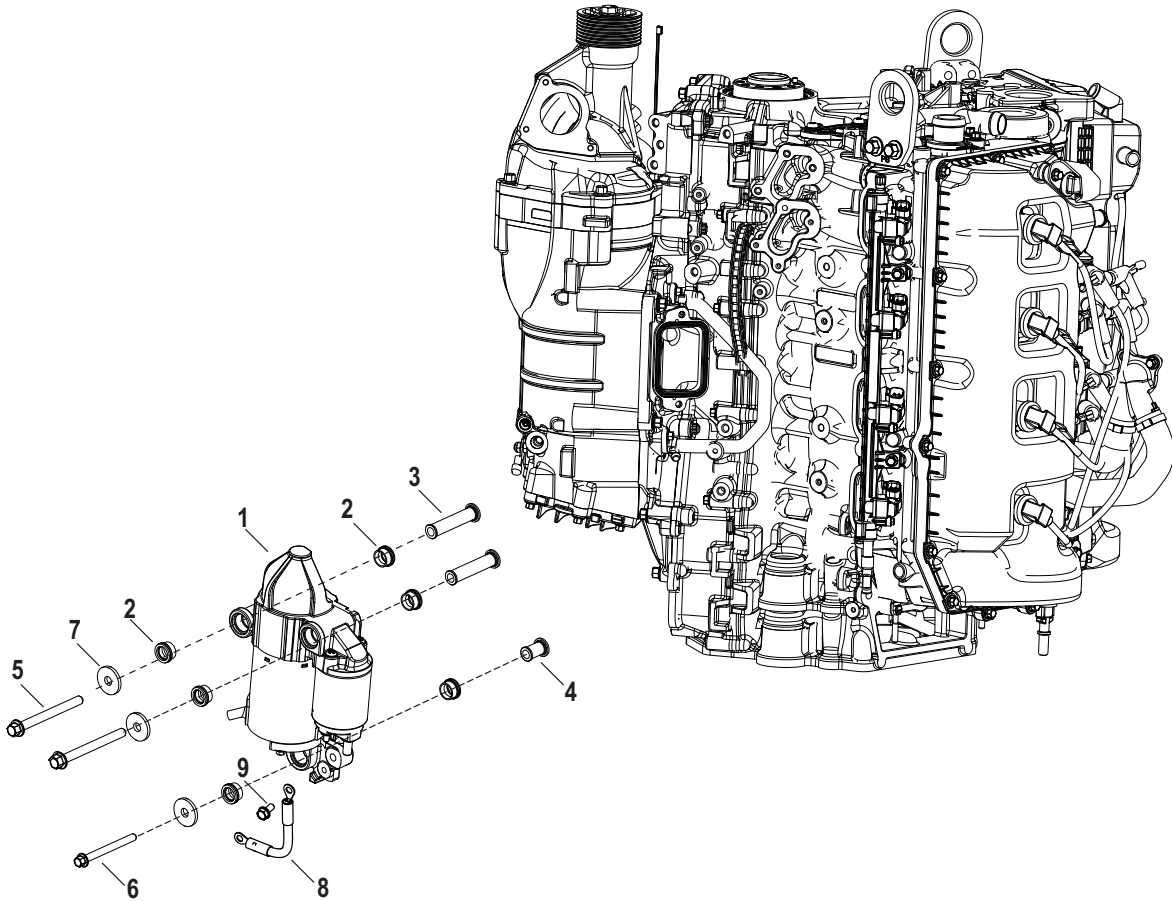
Ignition



Ignition

Ref #	Part Class	Part Number	Description	Comments	Qty	Note
1	0084	8M0159115	SPARK PLUG WIRES		1	
2	0000	8M0142671	GUIDE		1	
3	0010	897445501	SCREW (M6 x 20 MM)		2	
4	0010	8M0103808	SCREW (M6 x 30 MM) Stainless Steel		8	
5	0300	8M0044991	IGNITION COIL Ignition Dual Output		4	
6	0033	8M0135348	SPARK PLUGS		8	
7	0084	8M0142694	WIRE HARNESS Coil Adapter		1	

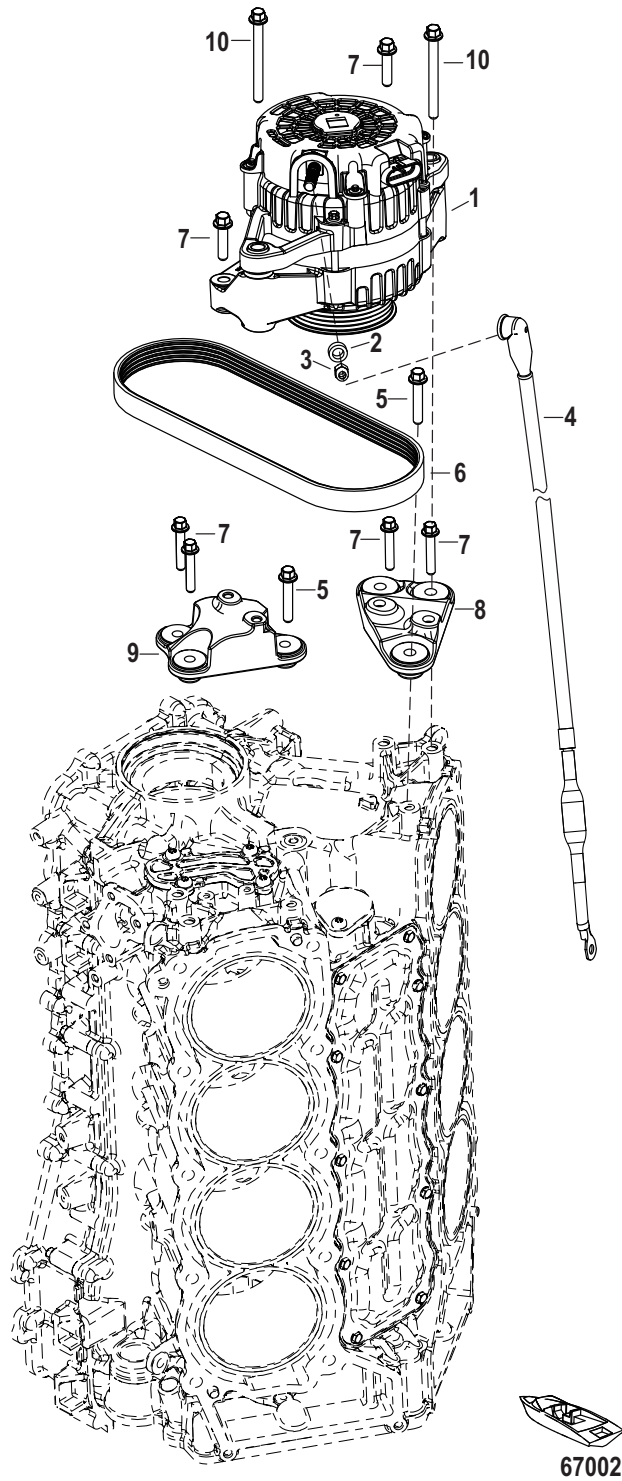
Starter Motor



Starter Motor

Ref #	Part Class	Part Number	Description	Comments	Qty	Note
1	0050	8M0159603	STARTER		1	
2	0023	8M0154659	MOUNT TUBULAR 8 MM		6	
3	0023	8M0070369	SPACER (8.3 I.D. X 11.8 O.D.)		2	
4	0023	8M0070368	SPACER (8.3 I.D. X 11.8 O.D.)		1	
5	0010	8M0142677	SCREW (M8 x 85)		2	
6	0010	88552645	SCREW (M8X45)		1	
7	0012	43430	WASHER		3	
8	0084	8M0159604	GROUND STRAP STARTER		1	
9	0010	88552612	SCREW (M8 x 12)		1	

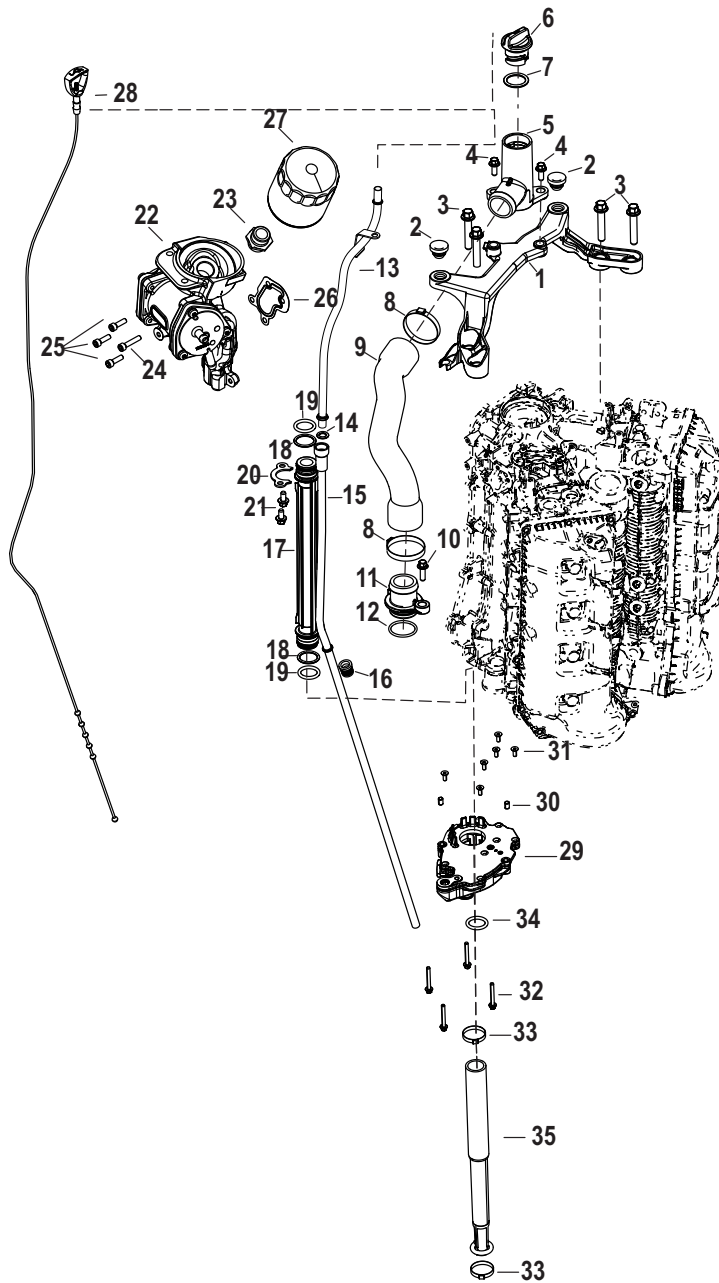
Alternator Mounting/Belt



Alternator Mounting/Belt

Ref #	Part Class	Part Number	Description	Comments	Qty	Note
1	0000	8M0142249	ALTERNATOR 115 AMP		1	
2	0023	8M0151156	SPACER		1	
3	0011	401388	NUT (M8) Stainless Steel		1	
4	0084	8M0142675	CABLE ASSEMBLY Fusable Link		1	
5		8M0145100	SCREW M8 Hex Flange		2	
6	0057	8M0142251	BELT		1	
7	0010	8M0142460	SCREW (M8 x 45) HEX FLG		6	
8	0000	8M0142692	BRACKET Alternator	Starboard	1	
9	0000	8M0142693	BRACKET Alternator	Port	1	
10	0010	8M0142677	SCREW (M8 x 85)		2	

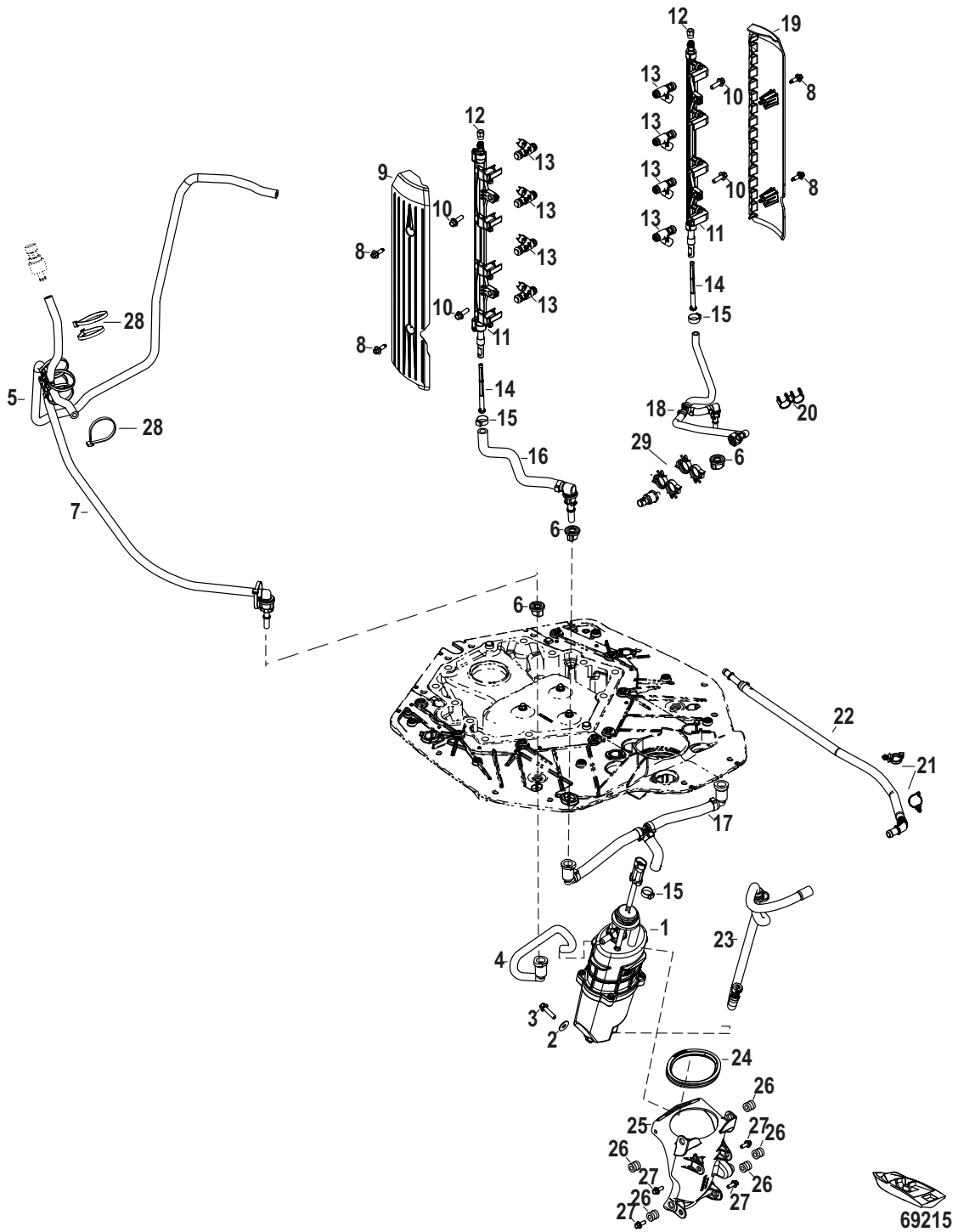
Oil System



Oil System

Ref #	Part Class	Part Number	Description	Comments	Qty	Note
1	0000	8M0142467	BRACKET Oil Fill		1	
2	0025	8M0096302	GROMMET		2	
3	0010	8M0142460	SCREW (M8 x 45) HEX FLG		4	
4	0010	8M0103805	SCREW (M6 x 16MM) Stainless Steel		2	
5	0000	8M0142478	NECK Oil Fill		1	
6	0036	8M0142290	CAP Oil		1	
7	0025	90196	O-RING (.921 x .139)		1	
8	0054	8M6001459	CLAMP (45.5)		2	
9	0032	8M0142469	HOSE Oil Fill		1	
10	0010	8M0103805	SCREW (M6 x 16MM) Stainless Steel		1	
11	0022	8M0142468	TUBE Oil Fill		1	
12	0025	8M0044601	O-RING		1	
13	0000	8M0159624	TUBE DIPSTICK UPPER		1	
14	0025	8M0142481	O-RING (0.362 x 0.103)		1	
15	0000	8M0142463	TUBE Dipstick		1	
16	0025	8M0142471	GROMMET (0.375 IN)		1	
17	0000	8M0158591	OIL TUBE ASSEMBLY Pump to Filter		1	
18	0025	8M0142452	O-RING (70 Durometer)		2	
19	0025	8M0142450	O-RING (70 Durometer)		2	
20	0000	8M0142484	BRACKET Oil Filter		1	
21	0010	8M0103804	SCREW (M6 x 12 MM) Stainless Steel		2	
22	0000	8M0159625	OIL COOLER ASSEMBLY		1	
23	0000	8M0159626	ADAPTER OIL FILTER		1	
24	0010	82494830	SCREW (M6 x 30)		1	
25	0010	4008820	SCREW (M6 x 20)		3	
26	0027	8M0159627	GASKET OIL FILTER APAPTER		1	
27	0035	8M0123025	OIL FILTER		1	
28	0000	8M0142576	DIPSTICK		1	
29	0000	8M0142403	OIL PUMP ASSEMBLY		1	
30	0017	8M0142408	DOWEL Pin		2	
31	0010	8M0142407	SCREW (M6) HEX SOCKET FLAT X 16 LG		6	
32	0010	8M0142401	SCREW (M6) HX FL REDUCED HEAD		4	
33	0054	8M6000385	CLAMP (39.6 MM)		2	
34	0025	8M6001577	O-RING M6 X 46		1	
35	0000	8M0142402	OIL PICK UP ASSEMBLY		1	

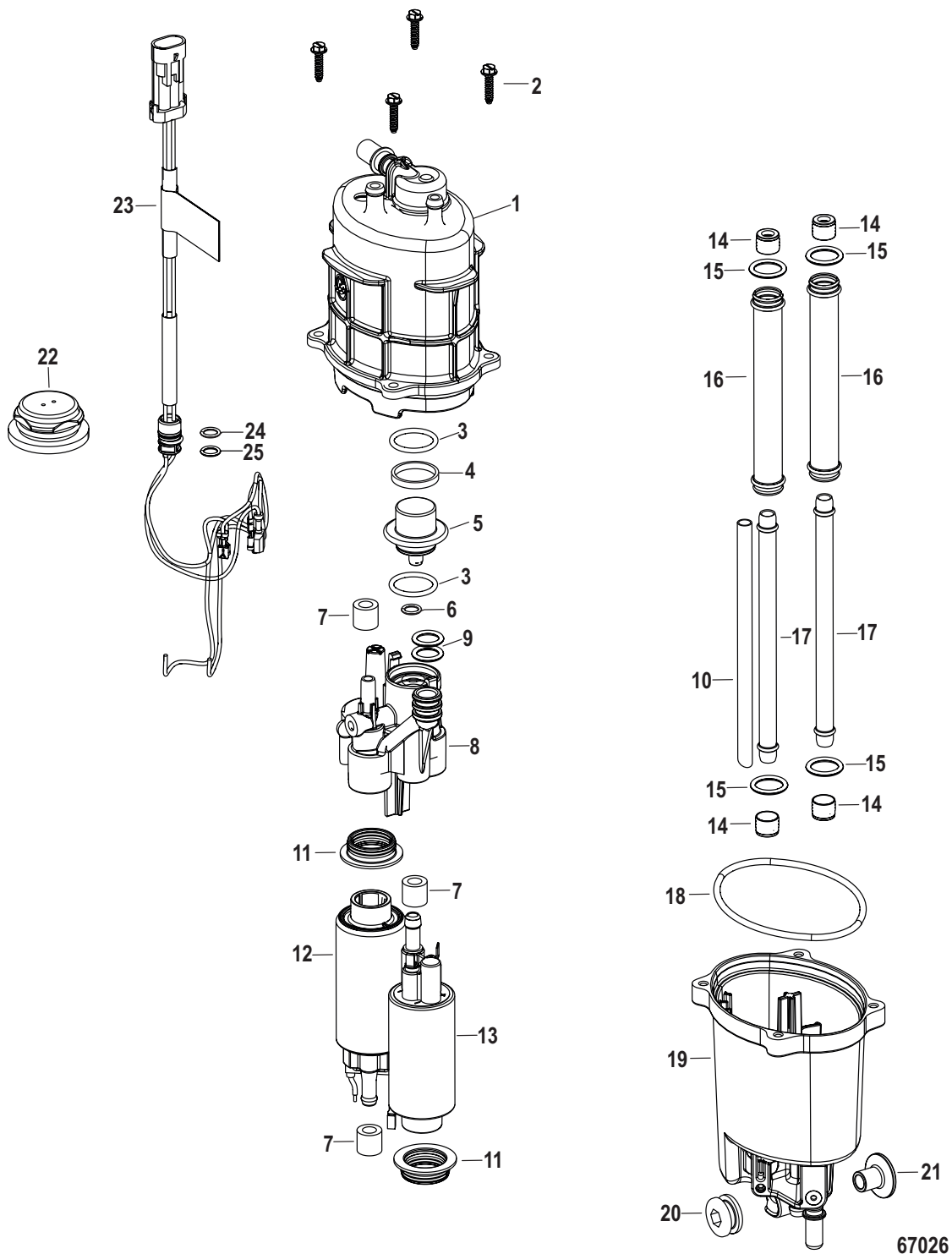
Fuel System



Fuel System

Ref #	Part Class	Part Number	Description	Comments	Qty	Note
1	0000	8M0161387	FUEL SUPPLY MODULE		1	
2	0012	65567	WASHER (.265 x .750 x .048) Stainless Steel		1	
3	0010	8M0103807	SCREW (M6 x 25 MM) Stainless Steel		1	
4	0032	8M0142432	HOSE Intake to FSM		1	
5	0032	8M0161388	HOSE ASSEMBLY MAP SENSOR		1	
6	0025	884546	GROMMET		3	
7		8M0161389	HOSE ASSEMBLY UPPER MANIFOLD REF		1	
8	0000	8M0005773	SCREW (M6)		4	
9	0000	8M0142475	COVER Fuel Rail, Port		1	
10	0010	8M0103806	SCREW (M6 x 20 MM) Stainless Steel		4	
11	0000	8M0161395	FUEL RAIL PORT		1	
11	0000	8M0161396	FUEL RAIL STBD		1	
12	0019	8M0046566	CAP		2	
13	0000	8M0161390	FUEL INJECTOR		8	
14	0035	8M0090809	FILTER		2	
15	0054	8M0142585	CLAMP		3	
16	0032	8M0142442	HOSE ASSEMBLY FSM To Port Rail		1	
17	0032	8M0142437	HOSE ASSEMBLY FSM To Fuel Rail		1	
18	0032	8M0161394	HOSE ASSEMBLY FUEL HP STBD RAIL		1	
19	0000	8M0142476	COVER Fuel Rail, Starboard		1	
20	0054	8M0142445	CLIP		1	
21	0054	899145	CLIP Tie Strap		2	
22	0032	8M0161391	HOSE ASSEMBLY FUEL INLET		1	
23	0032	8M0161393	HOSE ASSEMBLY FUEL FILTER to FSM		1	
24	0000	8M0037209	GROMMET FSM Retainer		1	
25	0000	8M0142722	BRACKET FSM		1	
26	0025	8M0142724	GROMMET		5	
27	0010	8M0103805	SCREW (M6 x 16MM) Stainless Steel		4	
28	0054	816311T	TIE STRAP (8.00 Inches)		3	
29	0054	883066	CLIP (.865)		2	

Fuel Supply Module



67026

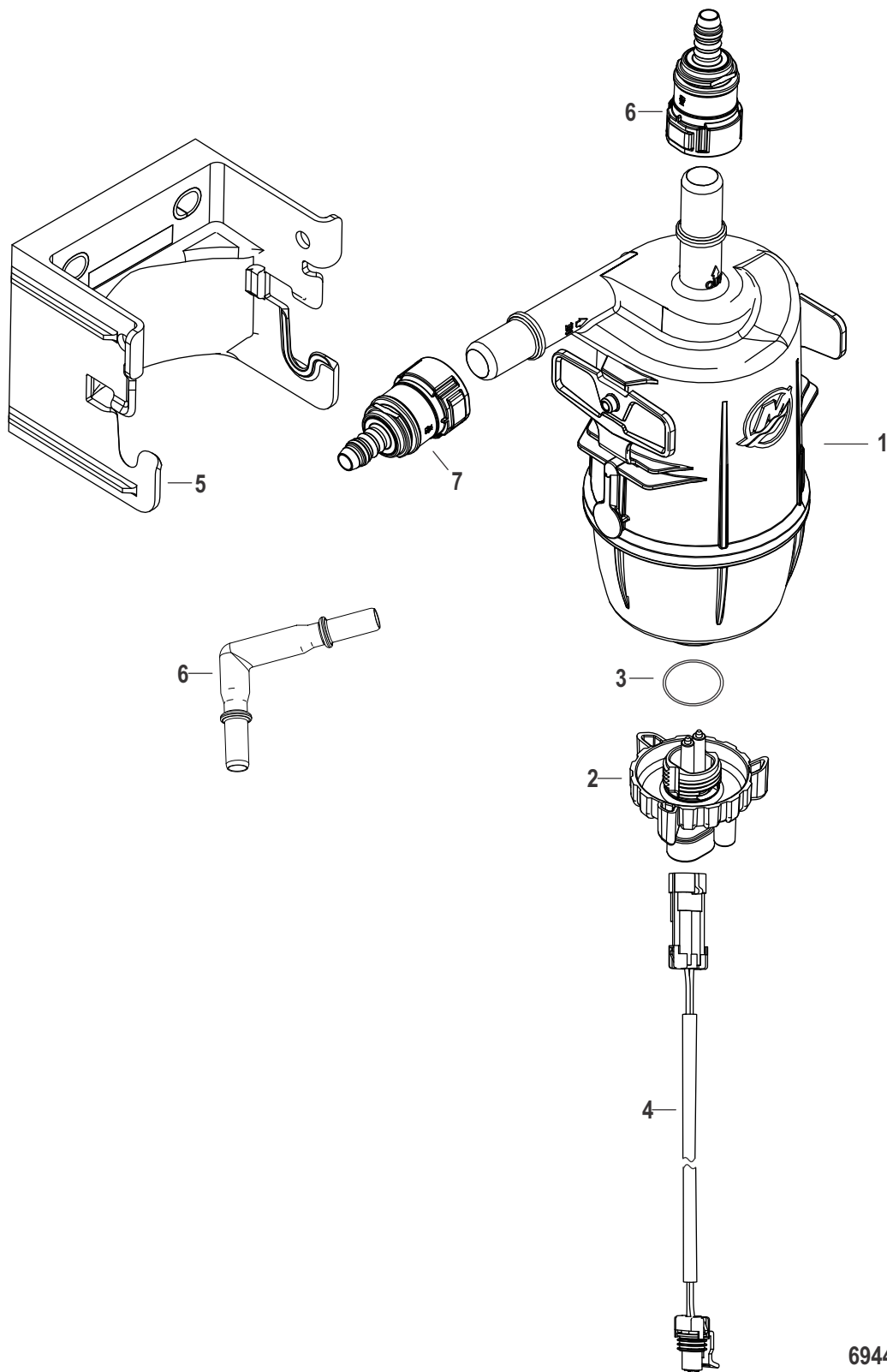
Fuel Supply Module

Ref #	Part Class	Part Number	Description	Comments	Qty	Note
-	0000	8M0161387	FUEL SUPPLY MODULE		1	
1	0000	8M0053726	FSM TOP HOUSING		1	
2	0010	8M0053756	SCREW Plastite W/ HX WSR HD		4	
3		NSS	NOT SOLD SEPARATE O-Ring		2	[1]
4		NSS	NOT SOLD SEPARATE Spacer		1	[1]
5	0000	8M0053749	REGULATOR ASSEMBLY		1	
6		NSS	NOT SOLD SEPARATE O-Ring		1	[1]
7		NSS	NOT SOLD SEPARATE Seal		3	[1]
8	0000	8M0161397	FSM CAP		1	
9		NSS	NOT SOLD SEPARATE O-Ring		2	[1]
10	0032	8M0161398	TUBE SUCTION		1	
11		NSS	NOT SOLD SEPARATE Seal		2	[1]
12	0000	8M0161400	PUMP ASSEMBLY HIGH PRESSURE		1	
13	0000	8M0161399	PUMP ASSEMBLY LOW PRESSURE		1	
14		NSS	NOT SOLD SEPARATE Seal		4	[1]
15		NSS	NOT SOLD SEPARATE O-Ring		4	[1]
16	0032	8M0120073	TUBE Water		2	
17	0000	8M0161401	TUBE FUEL		2	
18		NSS	NOT SOLD SEPARATE Seal		1	
19	0000	8M0130878	FSM BOTTOM HOUSING		1	
20	0025	895319	GROMMET		1	
21	0023	856954	BUSHING		1	
22	0025	8M0086888	GROMMET FSM Harness Spacer		1	[1]
23	0084	8M0161402	HARNESS ASSEMBLY		1	
24		NSS	NOT SOLD SEPARATE O-Ring		1	[1]
25		NSS	NOT SOLD SEPARATE O-Ring		1	[1]
-	0000	8M0133370	FSM SEAL KIT		1	

PART NOTES:

[1] - Component of FSM Seal Kit 8M0133370

Fuel Filter with WIF- Boat Mounted



69442

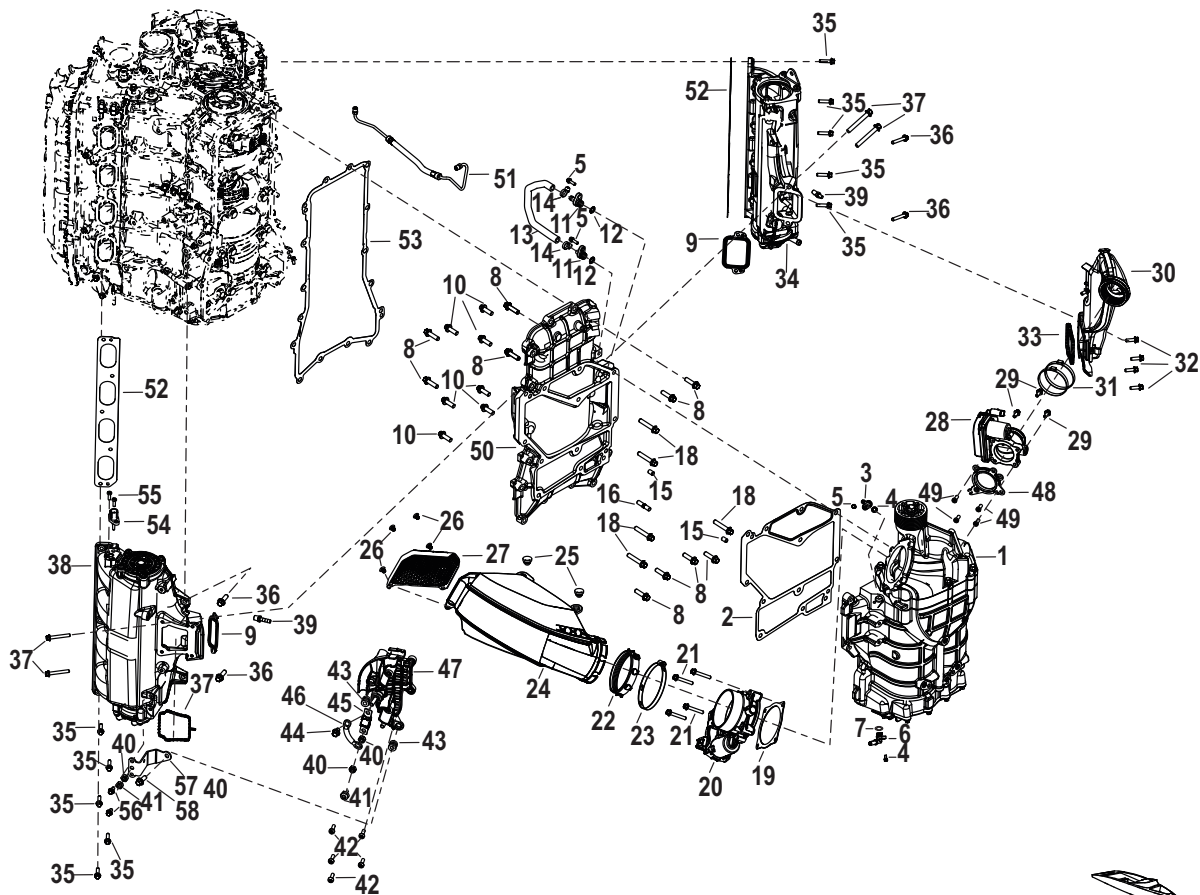
Cat.# 90-8M0155664

Fuel Filter with WIF- Boat Mounted

Ref #	Part Class	Part Number	Description	Comments	Qty	Note
-	0098	8M0150504	FUEL FILTER KIT Boat Mounted		1	
1	0035	8M0126144	FUEL FILTER		1	
2	0000	8M0142649	SENSOR WIF		1	
3	0025	8M0152436	ORING		1	
4	0084	8M0042697	HARNESS Fuel Filter Sensor Extension (144 in)		1	
5	0000	8M0152423	BRACKET Plastic Snap		1	
6	0022	8M0161392	QUICK CONNECT		1	
7	0022	8M0161392	QUICK CONNECT		2	

Fuel Filter with WIF- Boat Mounted

Intake System Supercharger



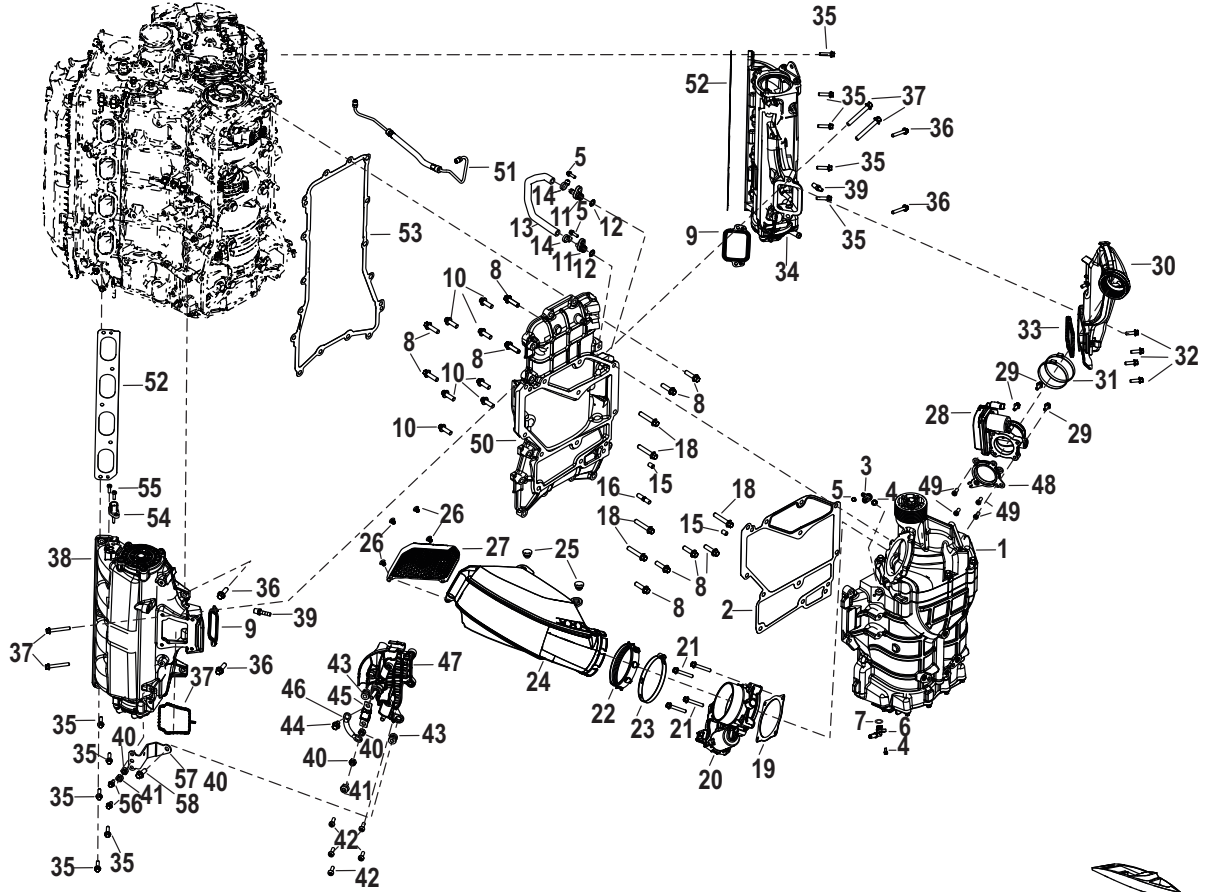
68318

Intake System Supercharger

Ref #	Part Class	Part Number	Description	Comments	Qty	Note
1	0000	8M0159608	SUPERCHARGER		1	
2	0027	8M0159609	GASKET SUPERCHARGER		1	
3	0022	8M0150516	FITTING Water		1	
4	0025	8M0142481	O-RING (0.362 x 0.103)		1	
5	0010	40011107	SCREW (M5 x 16) Stainless Steel		4	
6	0022	8M0159610	FITTING WATER		1	
7	0025	8M0142481	O-RING (0.362 x 0.103)		1	
8	0010	8M0103813	SCREW (M8 x 30)		10	
9	0027	8M0159611	GASKET CAC INLET		2	
10	0010	853219	SCREW (M8 x 25)		7	
11	0022	8M0159612	FITTING ASSY WATER		1	
12	0025	8M0142481	O-RING (0.362 x 0.103)		1	
13	0032	8M0159613	HOSE BEDPLATE COVER		1	
14	0054	816311T	TIE STRAP (8.00 Inches)		2	
15	0017	892228	PIN Dowel		2	
16	0016	8M0159616	STUD		1	
17	0011	401386	NUT (M6) Stainless Steel		1	
18	0010	88552645	SCREW (M8X45)		5	
19	0027	8M0109442	GASKET		1	
20	0000	8M0114805	THROTTLE BODY ASSEMBLY 80 MM		1	
21	0010	8M0103809	SCREW (M6 x 40 MM) Stainless Steel		4	
22	0025	8M0159620	SEAL INLET THROTTLE BODY		1	
23		8M0159621	CLAMP HOSE 80-100 MM 9 MM WIDE		1	
24	0000	8M0159622	ATTENUATOR ASSEMBLY		1	
25	0025	8M0096302	GROMMET		2	
26	0054	8M0159629	CLIP PUSH IN		4	
27	0035	8M0159623	SCREEN INTAKE		1	
28	0000	8M0159630	VALVE Electronic Boost Control		1	
29	0010	88552514	SCREW (M6 x 14 MM) Stainless Steel		3	
30	0000	8M0159631	BYPASS DUCT ASSEMBLY		1	
31	0054	8M0159632	CLAMP OETIKER		2	
32	0010	8M0103806	SCREW (M6 x 20 MM) Stainless Steel		4	
33	0027	8M0159633	GASKET BYPASS DUCT		2	
34	0000	8M0159634	MANIFOLD ASSEMBLY PORT		1	
35	0010	8M0103807	SCREW (M6 x 25 MM) Stainless Steel		10	
36	0010	8M0159635	SCREW M8 x 25 HEX FLANGE HD		4	
37	0010	8M0103810	SCREW (M6 x 45 MM) Stainless Steel		4	
38	0000	8M0159636	MANIFOLD ASSEMBLY STARBOARD		1	
39	0022	16739	CONNECTOR		2	
40	0011	400213	NUT (M8) Stainless Steel		3	

Intake System Supercharger

Intake System Supercharger

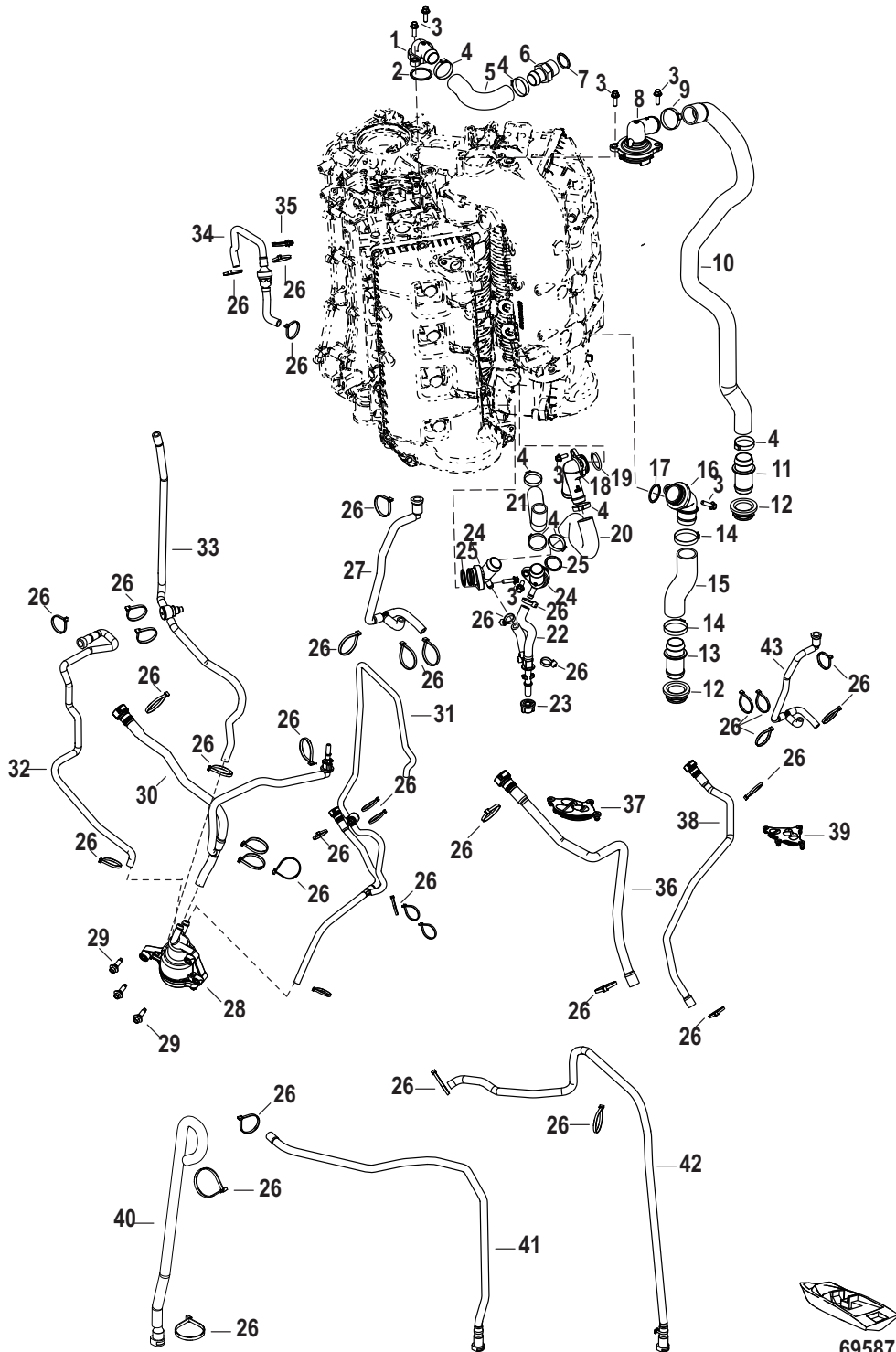


68318

Intake System Supercharger

Ref #	Part Class	Part Number	Description	Comments	Qty	Note
41	0011	401388	NUT (M8) Stainless Steel		2	
42	0010	8M0080651	SCREW (M6 x 20)		5	
43	0025	8M0153609	GROMMET		2	
44	0010	88552612	SCREW (M8 x 12)		1	
45	0088	8M0161644	FUSE 200A Blue		1	
46	0086	8M0161892	BUS BAR ASSEMBLY		1	
47	0000	8M0161893	COVER AIR		1	
48	0000	8M0162821	ISOLATER Bypass		1	
49	0010	8M0161440	SCREW (M6 x 14)		4	
50	0900	8M0167615	COVER Bedplate		1	
51	0032	8M0168882	HOSE Oil, Cylinder Head to Supercharger		1	
52	0027	8M0175149	GASKET Intake		2	
53	0027	8M0159617	GASKET BEDPLATE		1	
54	0000	891663001	SENSOR ASSEMBLY Temperature		1	
55	0010	40056107	SCREW (M5 x 16)		2	
56	0010	8M0103804	SCREW (M6 x 12 MM) Stainless Steel		2	
57		8M0175480	BRACKET Ground Assembly		1	
58	0010	88552620	SCREW (M8 x 20)		1	

Cooling System

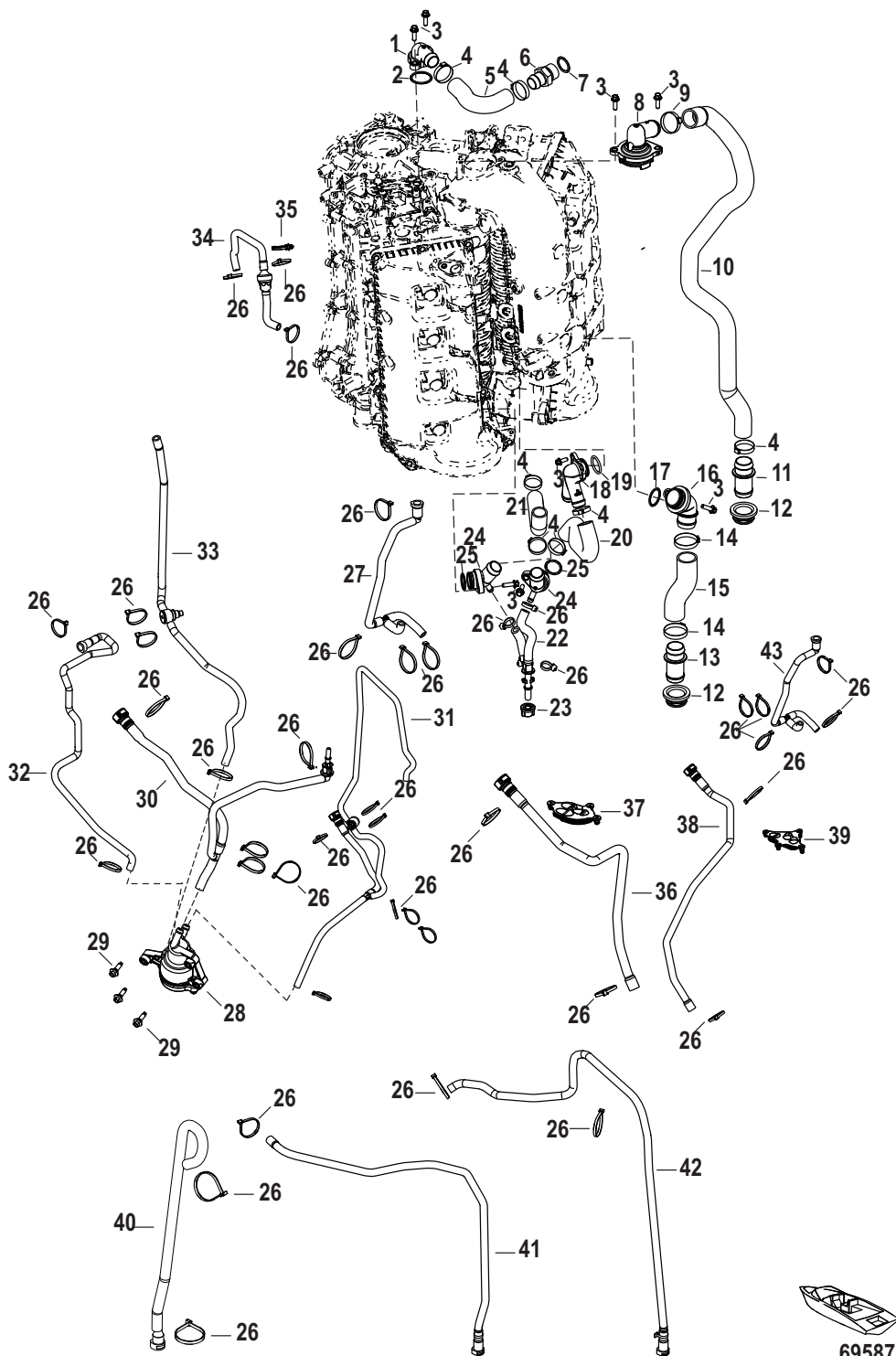


Cooling System

Ref #	Part Class	Part Number	Description	Comments	Qty	Note
1	0022	8M0142494	FITTING	Water Outlet	1	
2	0025	35480	O-RING (1.237 x .103)		1	[1]
3	0010	8M0103806	SCREW (M6 x 20 MM) Stainless Steel		8	
4	0054	8M0028753	CLAMP Oetiker (31.6 Diameter)		6	
5	0032	8M0142503	HOSE Cooling	Port Cylinder to Exhaust	1	
6	0022	8M0142516	FITTING Barbed		1	
7	0025	8M0142517	O-RING (23.6 MM ID X 2.9 MM)		1	[1]
8	0000	8M0161442	THERMOSTAT		1	
9	0054	888988008	CLAMP (34.6 MM)		1	
10	0032	8M0142500	HOSE Thermostat Outlet		1	
11	0022	8M0142509	FITTING Connector		1	
12	0025	8M0142501	GROMMET	Chap Plate	2	
13	0022	8M0142506	FITTING Connector		1	
14	0054	888988011	CLAMP (38.1 MM)		2	
15	0032	8M0142502	HOSE Water Inlet		1	
16		8M0162448	FITTING Water Inlet		1	
17	0025	86614	O-RING (1.049 x .103)		1	
18	0022	8M0142507	YFITTING	Exhaust to Cylinder Head	1	
19	0025	26317	O-RING		1	[1]
20	0032	8M0142505	HOSE	Water to Port Cylinder Head	1	
21	0032	8M0142504	HOSE	Water to Starboard Cylinder Head	1	
22	0032	8M0142518	HOSE ASSEMBLY	Cylinder Head Drain	1	
23	0025	884546	GROMMET		3	
24	0022	8M0142510	FITTING	Water Inlet	2	
25	0025	29845	O-RING (.924 x .103)		2	[1]
26	0054	816311T	TIE STRAP (8.00 Inches)		40	
27		8M0162402	HOSE ASSEMBLY Water Drain		1	
28	0000	8M0161404	POPPET VALVE ASSEMBLY		1	
29	0010	892073002	SHOULDER SCREW (M6)		3	
30		8M0162403	HOSE ASSEMBLY Water Drain		1	
31		8M0162404	HOSE ASSEMBLY Water Out, Starboard		1	
32		8M0162413	HOSE Supercharger Water In		1	
33		8M0162424	HOSE ASSEMBLY Poppet to Oil Cooler, Port		1	
34	0032	8M0161403	HOSE ASSEMBLY FLUSH		1	
35	0054	899145	CLIP Tie Strap		1	
36		8M0162425	HOSE ASSEMBLY Water Inlet, Port		1	
37		8M0162427	GROMMET Water Lines, Port		1	
38		8M0162440	HOSE ASSEMBLY Starboard, Water Inlet		1	
39		8M0162441	GROMMET Water Lines Starboard		1	
40		8M0162442	HOSE Spayer		1	
41		8M0162443	HOSE Oil Cooler Water Out		1	

Cooling System

Cooling System



Cat.# 90-8M0155664

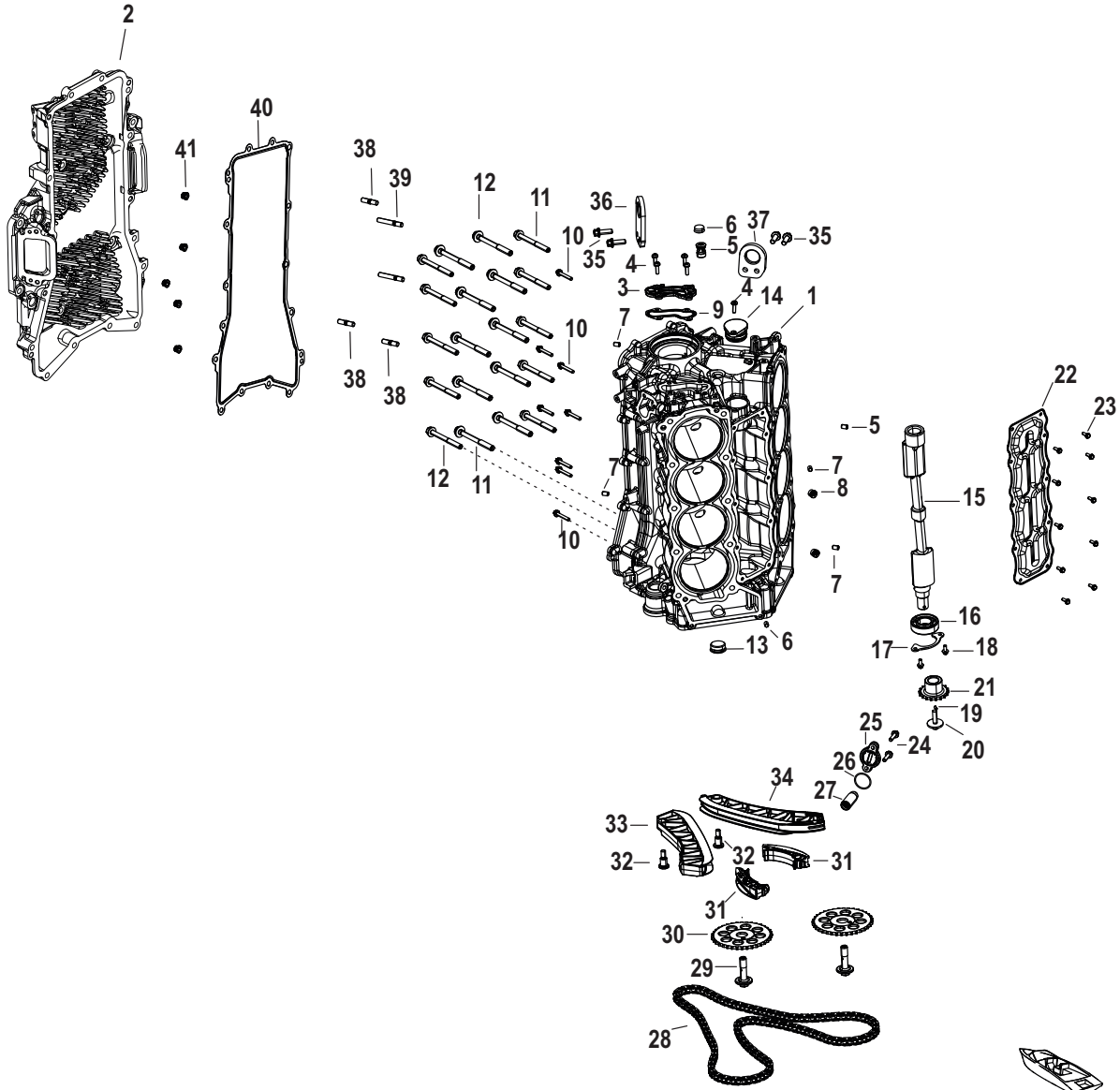
Cooling System

Ref #	Part Class	Part Number	Description	Comments	Qty	Note
42		8M0162444	HOSE Supercharger Water Out		1	
43		8M0162445	HOSE ASSEMBLY Water Drain		1	

PART NOTES:

[1] - Component of Powerhead Gasket Set NSS

Cylinder Block



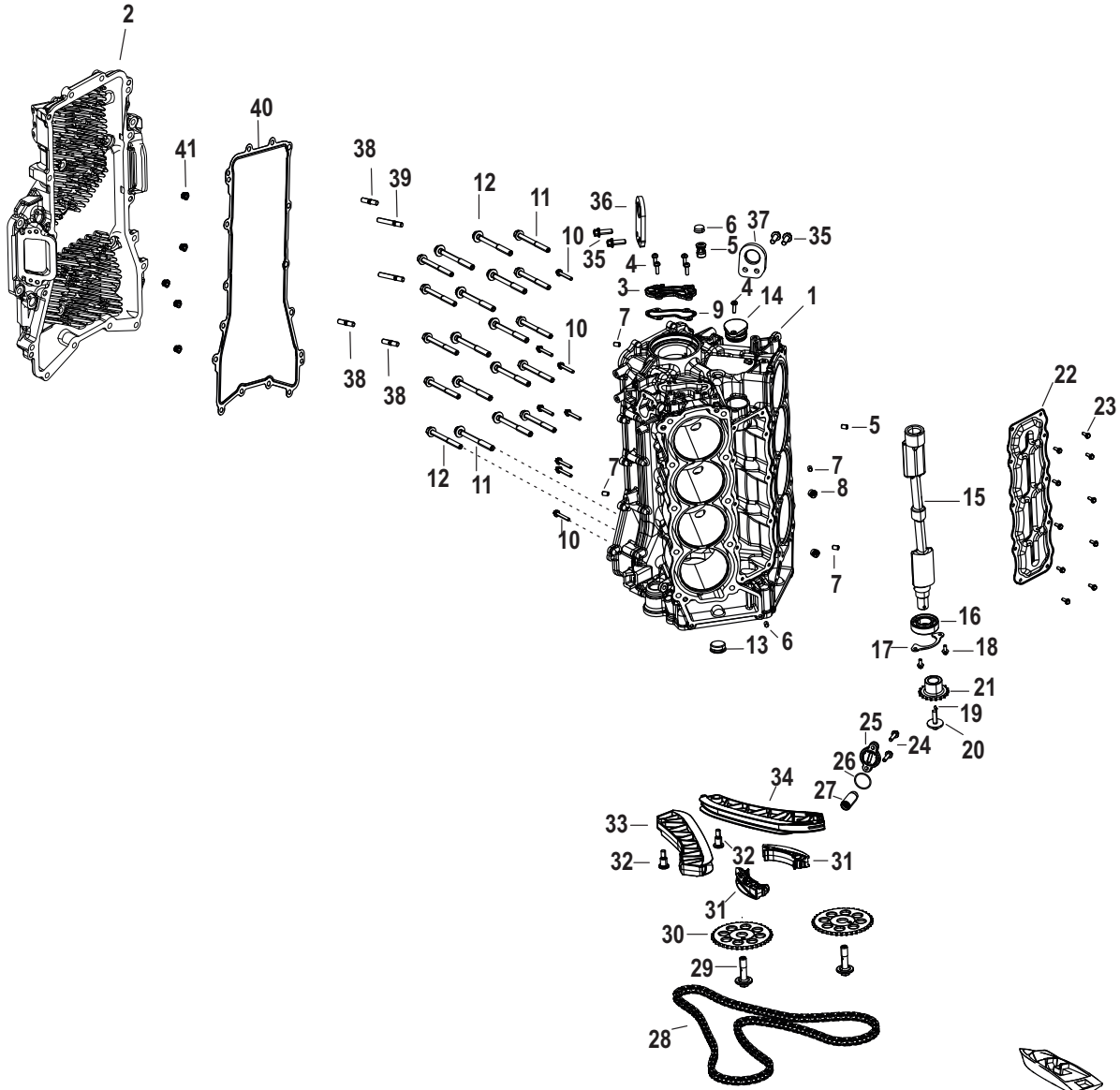
69103

Cylinder Block

Ref #	Part Class	Part Number	Description	Comments	Qty	Note
1		NSS	NOT SOLD SEPARATE	CYLINDER BLOCK	1	
2		NSS	NOT SOLD SEPARATE	Bedplate-Crankcase Cover	1	
3	1000	8M0142349	COVER		1	
4	0010	8M0080651	SCREW (M6 x 20)		5	
5	0019	8M0142352	PLUG 18 MM		1	
6	0025	8M0142353	O-RING (0.614 x 0.070)		1	
7	0017	893540	PIN Dowel, 8x12 long		6	
8	0019	8M0087447	PLUG (10MM)		2	
9	0027	8M0142348	GASKET Cover Plate		1	[1]
10	0010	8M0103809	SCREW (M6 x 40 MM) Stainless Steel		10	
11	0010	8M0142347	SCREW (M10 x 96 MM) HEX FLG HD		10	
12	0010	8M0142346	SCREW (M11 x 107 MM) 12 POINT HEX HEAD		10	
13	0019	8M0087454	PLUG (30 MM)		1	
14	0019	8M0142409	PLUG Balancer		1	
15	0000	8M0142421	BALANCE SHAFT		1	
16	0030	8M0142429	BEARING Ball		1	
17	0000	8M0142427	PLATE Retainer		1	
18	0010	8M0142428	SCREW (M5 x 12) HEX FLG		2	
19	0017	8M0142426	PIN Dowel		1	
20	0010	8M0142423	SCREW (M8 x 1.25) HEX FL SEMS		1	
21	0000	8M0142422	SPROCKET		1	
22	1000	8M0142410	COVER Balancer, Stamped		1	
23	0010	40011106	SCREW (M5 x 13) Stainless Steel		10	
24	0010	8M0103807	SCREW (M6 x 25 MM) Stainless Steel		2	
25	1100	8M0064752	END CAP Cam Tensioner		1	
26	0025	898836	O-RING Brown		1	[1]
27	0000	8M0142394	TENSIONER ASSEMBLY Timing Chain		1	
28	0010	8M0142399	CHAIN CAM DRIVE		1	
29	0010	8M0142395	CAM BOLT M12 Special Left Hand		2	
30	0000	8M0142390	SPROCKET Camshaft		2	
31	0010	8M0142400	GUIDE SHORT SPAN		2	
32	0010	8M0086569	SCREW Shoulder (M8 x 1.25)		2	
33	0000	8M0142393	GUIDE Cam Drive		1	
34	0000	8M0142392	GUIDE Moveable		1	
35	0010	8M0103821	SCREW		4	
36	0000	8M0142459	LIFTING EYE Port		1	
37	0000	8M0142448	LIFTING EYE Starboard		1	
38	0016	8M0159614	STUD		3	
39	0016	8M0159615	STUD		4	
40	0027	8M0159617	GASKET BEDPLATE		1	
41	0011	8M0159618	NUT		1	
-	0061	8M0162824	LONG BLOCK		1	

Cylinder Block

Cylinder Block



69103

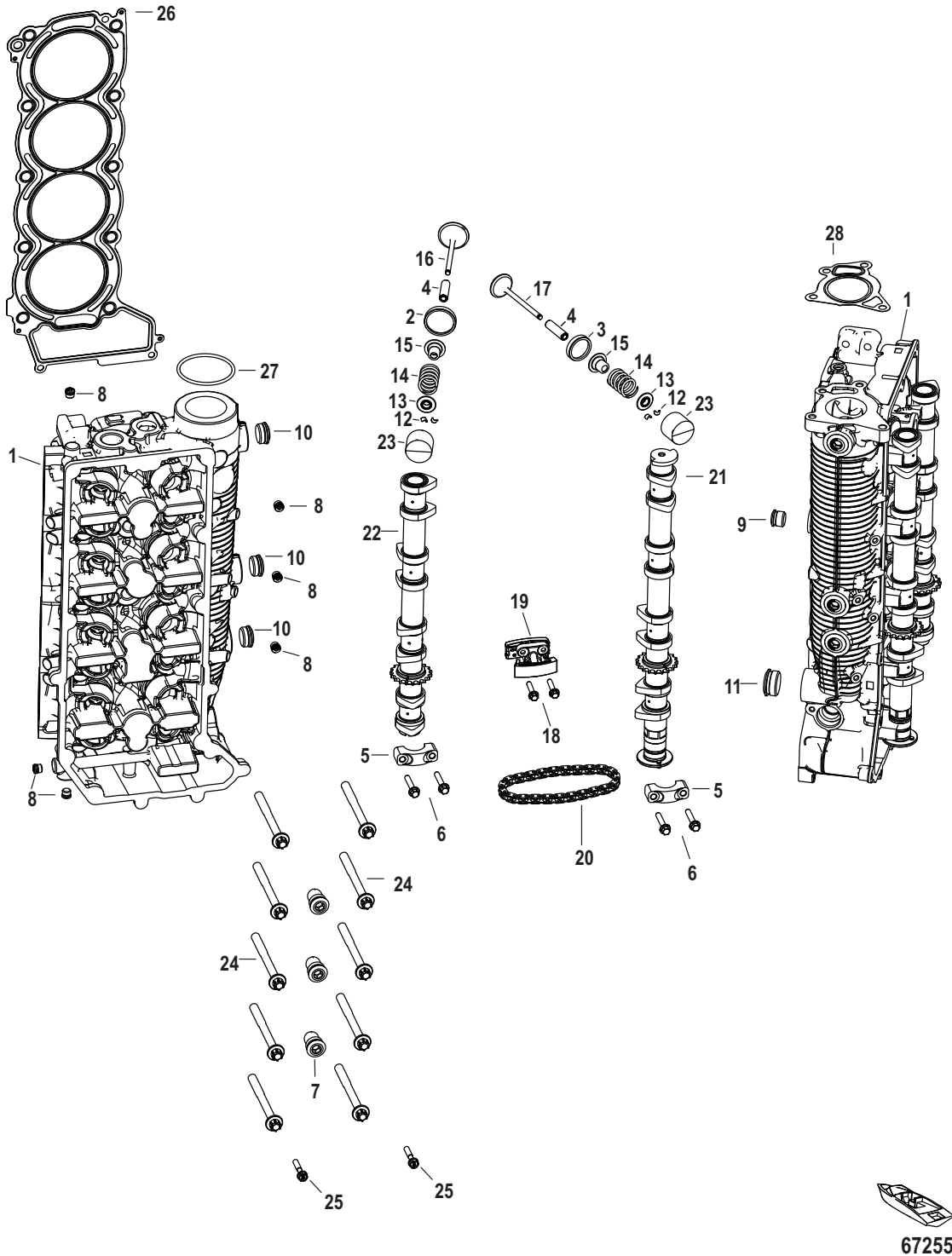
Cat.# 90-8M0155664

Cylinder Block

PART NOTES:

- [1] - Component of Powerhead Gasket Set NSS

Cylinder Head and Camshaft



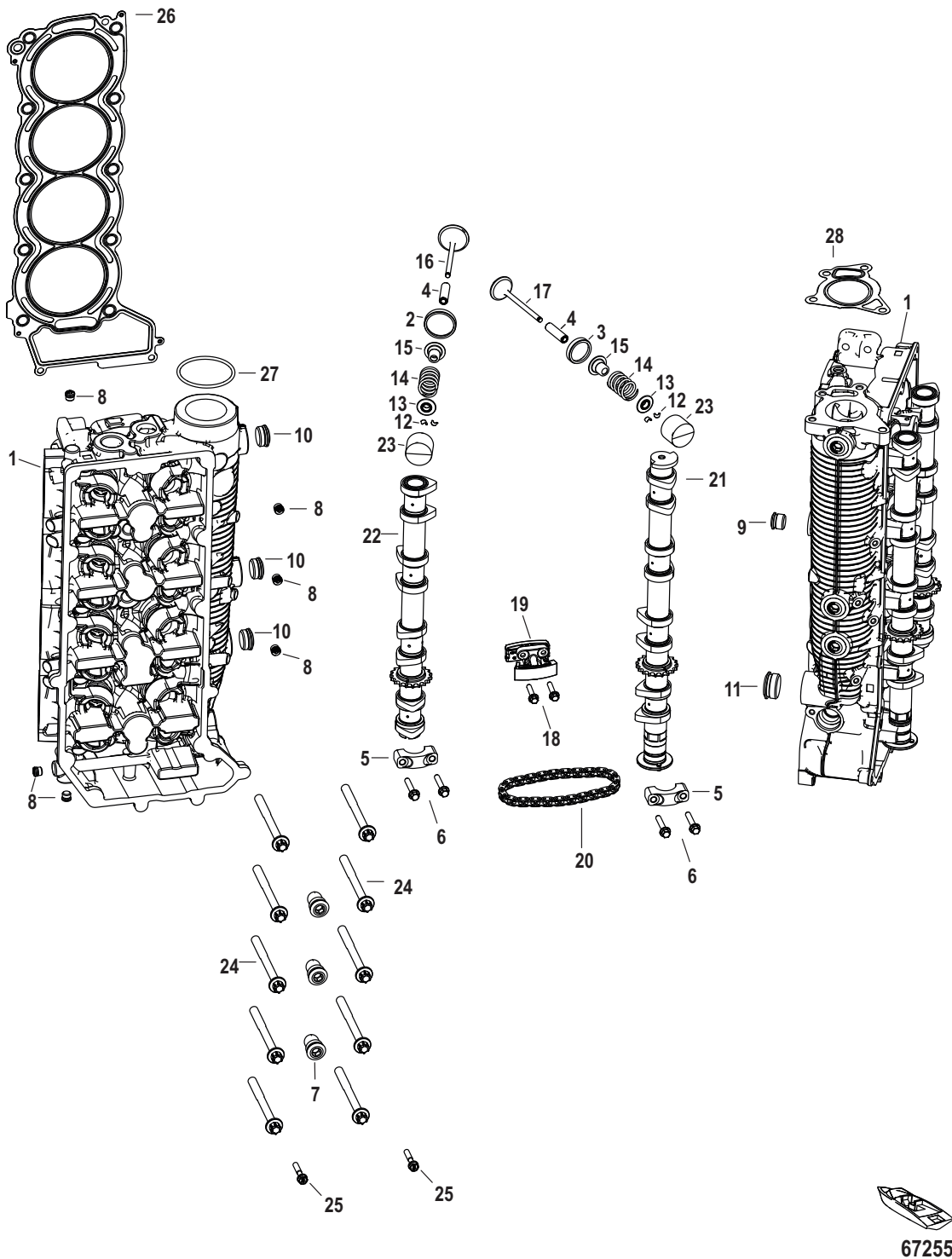
67255

Cylinder Head and Camshaft

Ref #	Part Class	Part Number	Description	Comments	Qty	Note
-	0900	8M0164971	CYLINDER HEAD Starboard		1	
-	0900	8M0164972	CYLINDER HEAD Port		1	
1		NSS	NOT SOLD SEPARATE	CYLINDER HEAD BASIC STBD	1	
1		NSS	NOT SOLD SEPARATE	CYLINDER HEAD BASIC PORT	1	
2	0000	8M0142354	VALVE Seat, Intake		16	
3	0000	8M0142355	VALVE Seat, Exhaust		16	
4	0000	8M0142358	VALVE Guide		32	
5		NSS	NOT SOLD SEPARATE	Cap-Camshaft	18	
6	0010	892454035	BOLT (M6 x 36)		36	
7	0019	8M0142357	PLUG 21 MM Special		6	
8	0019	8M0087447	PLUG (10MM)		12	
9	0019	8M0087451	PLUG (18MM)		2	
10	0019	8M0087453	PLUG (24 MM)		6	
11	0019	8M0087454	PLUG (30 MM)		2	
12	0028	8M0142364	VALVE Key		32	
13	0000	8M0142363	RETAINER		32	
14	0024	8M0142360	SPRING		32	
15	0000	8M0142359	SEAL Valve		32	
16	0000	8M0142361	VALVE Intake		16	
17		8M0159645	VALVE Exhaust		16	
18	0010	892454030	SCREW (M6 x 30)		4	
19	0000	8M0142367	TENSIONER		2	
20	0000	8M0142366	CHAIN Cam to Cam		2	
21	0400	8M0142411	CAMSHAFT Exhaust, Starboard		1	
21	0400	8M0142416	CAMSHAFT Exhaust, Port		1	
22	0400	8M0149556	CAMSHAFT Intake, Starboard		1	
22	0400	8M0149555	CAMSHAFT Intake, Port		1	
23	0000	8M0142365	TAPPET (3.000)		32/AR	
23	0000	8M0142431	TAPPET (3.015)		32/AR	
23	0000	8M0142439	TAPPET (3.030)		32/AR	
23	0000	8M0142440	TAPPET (3.045)		32/AR	
23	0000	8M0142441	TAPPET (3.060)		32/AR	
23	0000	8M0142438	TAPPET (3.075)		32/AR	
23	0000	8M0142495	TAPPET (3.090)		32/AR	
23	0000	8M0142492	TAPPET (3.105)		32/AR	
23	0000	8M0142443	TAPPET (3.120)		32/AR	
23	0000	8M0142447	TAPPET (3.135)		32/AR	
23	0000	8M0142464	TAPPET (3.150)		32/AR	
23	0000	8M0142465	TAPPET (3.165)		32/AR	
23	0000	8M0142466	TAPPET (3.180)		32/AR	
23	0000	8M0142487	TAPPET (3.195)		32/AR	
23	0000	8M0142488	TAPPET (3.210)		32/AR	
23	0000	8M0142489	TAPPET (3.225)		32/AR	
23	0000	8M0142490	TAPPET (3.240)		32/AR	

Cylinder Head and Camshaft

Cylinder Head and Camshaft



67255

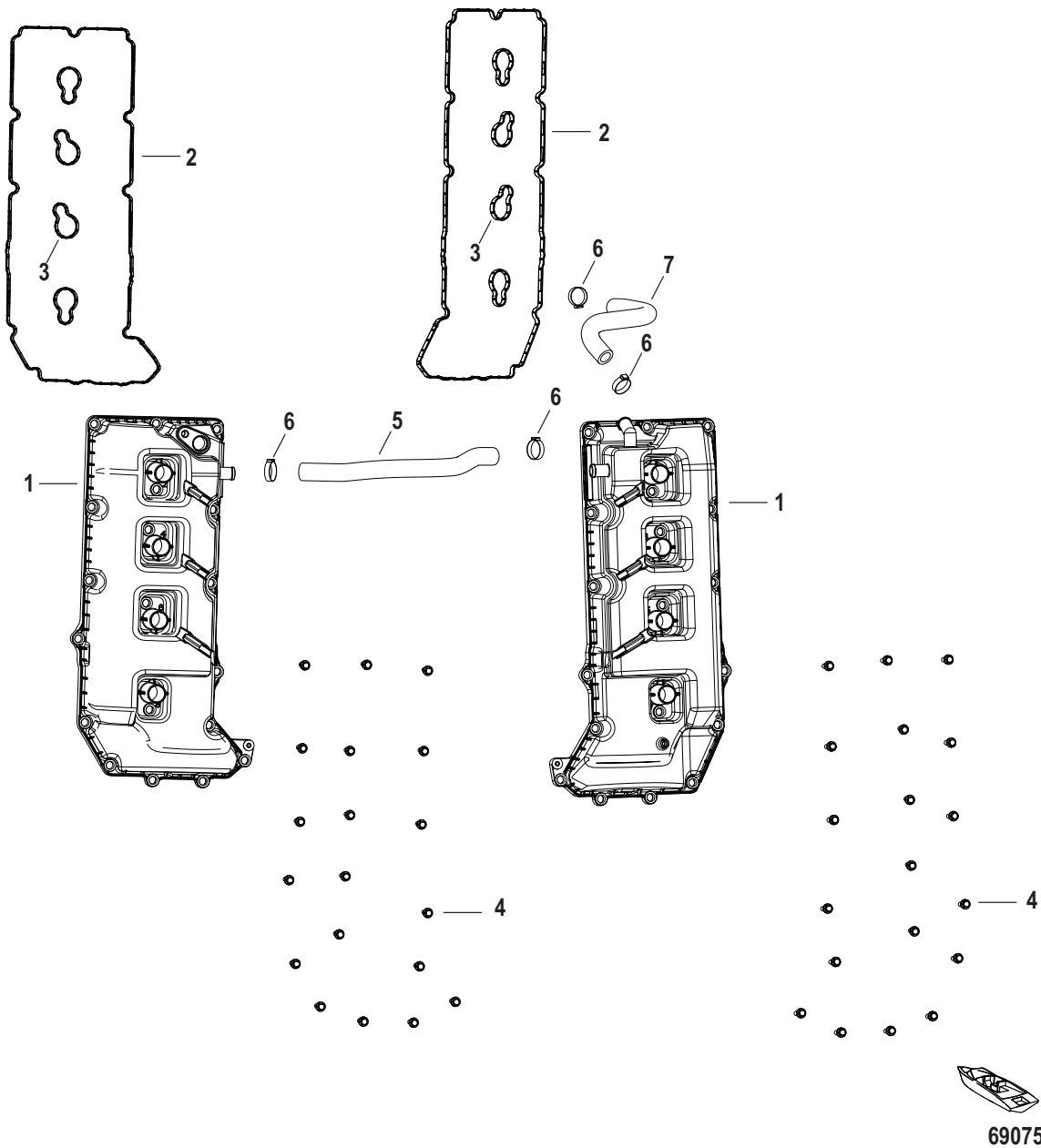
Cylinder Head and Camshaft

Ref #	Part Class	Part Number	Description	Comments	Qty	Note
23	0000	8M0142491	TAPPET (3.255)		32/AR	
23	0000	8M0142519	TAPPET (3.270)		32/AR	
23	0000	8M0142520	TAPPET (3.285)		32/AR	
23	0000	8M0142521	TAPPET (3.300)		32/AR	
23	0000	8M0142525	TAPPET (3.315)		32/AR	
23	0000	8M0142527	TAPPET (3.330)		32/AR	
23	0000	8M0142532	TAPPET (3.345)		32/AR	
23	0000	8M0142613	TAPPET (3.360)		32/AR	
23	0000	8M0142252	TAPPET (3.375)		32/AR	
23	0000	8M0142255	TAPPET (3.390)		32/AR	
23	0000	8M0142256	TAPPET (3.405)		32/AR	
23	0000	8M0142257	TAPPET (3.420)		32/AR	
23	0000	8M0142258	TAPPET (3.435)		32/AR	
23	0000	8M0142261	TAPPET (3.450)		32/AR	
23	0000	8M0142263	TAPPET (3.465)		32/AR	
23	0000	8M0142277	TAPPET (3.480)		32/AR	
23	0000	8M0142291	TAPPET (3.495)		32/AR	
23	0000	8M0142292	TAPPET (3.510)		32/AR	
23	0000	8M0142666	TAPPET (3.525)		32/AR	
23	0000	8M0142667	TAPPET (3.540)		32/AR	
23	0000	8M0142668	TAPPET (3.555)		32/AR	
23	0000	8M0142669	TAPPET (3.570)		32/AR	
23	0000	8M0142670	TAPPET (3.585)		32/AR	
23	0000	8M0142698	TAPPET (3.600)		32/AR	
23	0000	8M0142699	TAPPET (3.615)		32/AR	
23	0000	8M0142700	TAPPET (3.630)		32/AR	
23	0000	8M0142701	TAPPET (3.645)		32/AR	
23	0000	8M0142702	TAPPET (3.660)		32/AR	
23	0000	8M0142703	TAPPET (3.675)		32/AR	
23	0000	8M0142704	TAPPET (3.690)		32/AR	
24	0010	8M0142369	SCREW (M10 x 107) TORX FLG HD		20	
25	0010	893754035	SCREW (M6 X 35)		4	
26	0027	8M0142273	GASKET Cylinder Head	Starboard	1	[1]
26	0027	8M0142272	GASKET Cylinder Head	Port	1	[1]
27	0025	8M0142368	O-RING (230 2.484 x .139)		1	[1]
28	0027	8M0142537	GASKET Exhaust Manifold		1	[1]
-	0061	8M0162824	LONG BLOCK		1	

PART NOTES:

[1] - Component of Powerhead Gasket Set NSS

Camshaft Cover



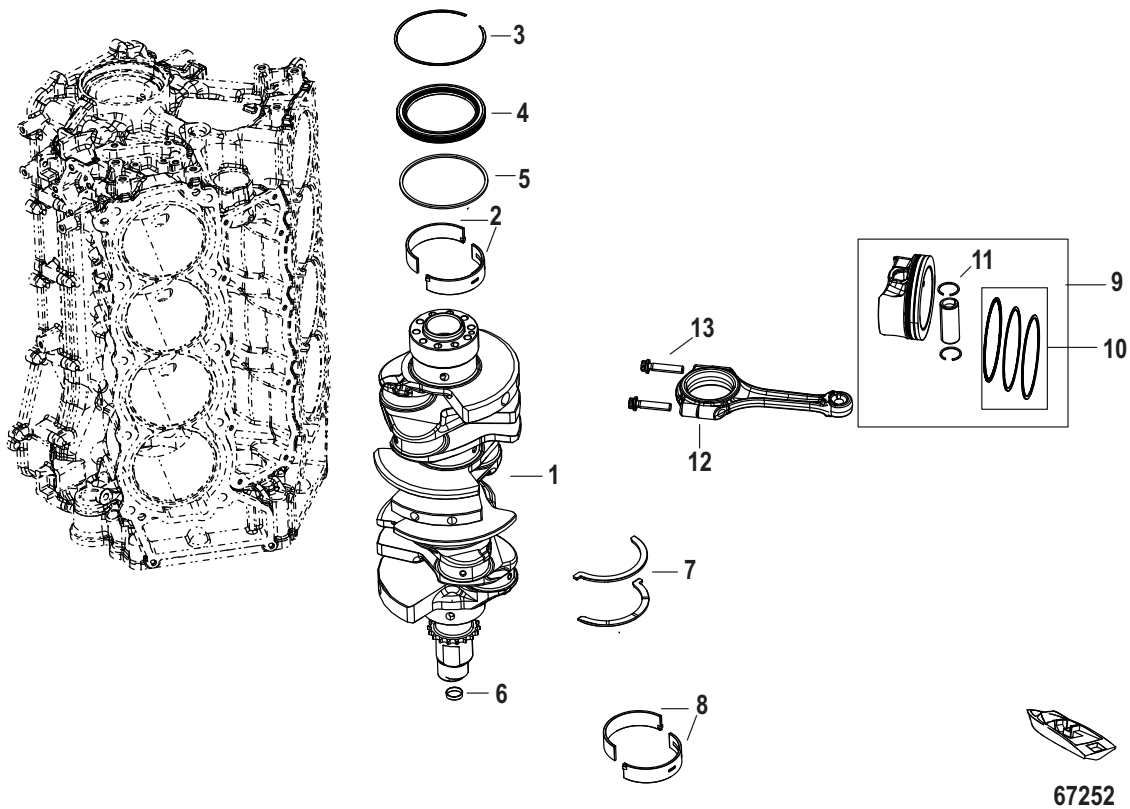
Camshaft Cover

Ref #	Part Class	Part Number	Description	Comments	Qty	Note
1	0000	8M0142282	CAMSHAFT COVER ASSEMBLY Starboard		1	
1	0000	8M0142281	CAMSHAFT COVER ASSEMBLY Port		1	
2	0025	8M0142284	SEAL Camshaft Cover, Starboard		1	[1]
2	0025	8M0142283	SEAL Camshaft Cover, Port		1	[1]
3	0025	8M0142285	SEAL Spark Plug		8	[1]
4	0010	8M0022324	SCREW (M6 x 25 MM)		38	
5	0032	8M0142472	HOSE Port to Starboard Breather		1	
6	0054	855228	CLAMP		4	
7	0032	8M0161895	BREATHER HOSE Starboard to Intake		1	

PART NOTES:

[1] - Component of Powerhead Gasket Set NSS

Crankshaft, Pistons and Connecting Rods



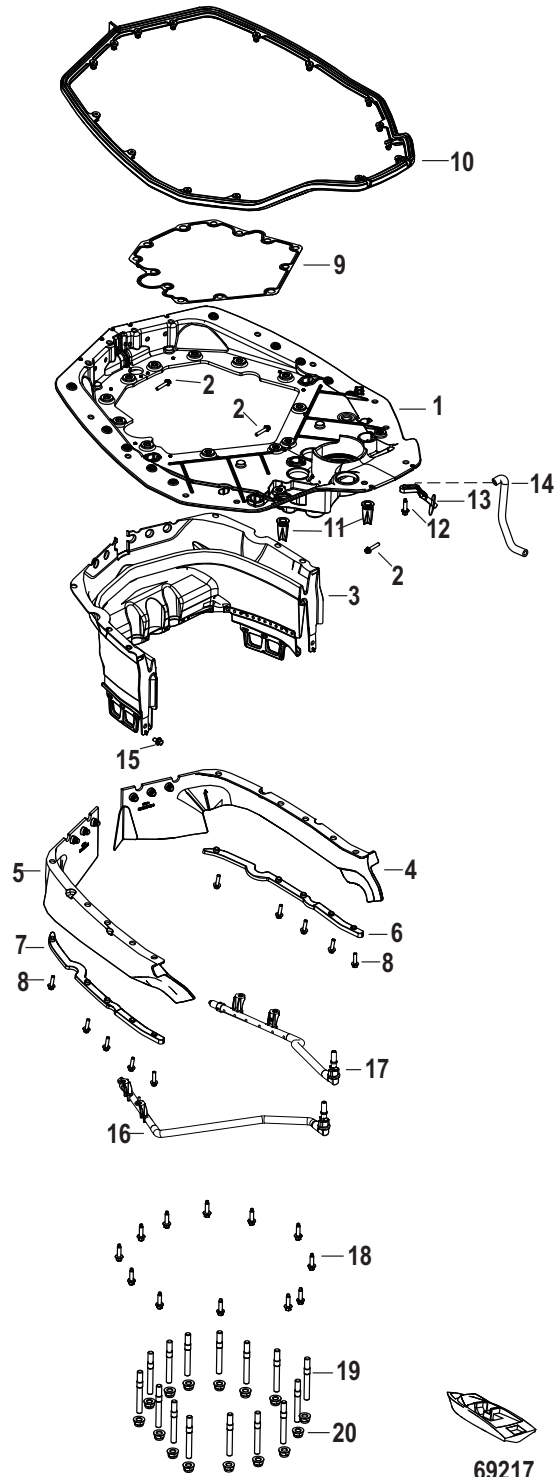
Crankshaft, Pistons and Connecting Rods

Ref #	Part Class	Part Number	Description	Comments	Qty	Note
1	0400	8M0142417	CRANKSHAFT		1	
2	0500	8M0147976	BEARING MAIN Green		AR	
2	0500	8M0147977	BEARING MAIN Blue		AR	
2	0500	8M0147978	BEARING MAIN White		AR	
2	0500	8M0147979	BEARING MAIN Orange		AR	
3	0053	8M0142386	RING RETAINING		1	
4	0026	8M0142379	SEAL Main Bearing		1	[1]
5	0023	8M0142385	SPACER		1	
6	0025	8M0034912	O-RING 3.78 X 21.32		1	[1]
7	0012	8M0142424	WASHER THRUST		2	
8	0500	8M0148077	BEARING Connecting Rod, Green		AR	
8	0500	8M0148078	BEARING Connecting Rod, Blue		AR	
8	0500	8M0148079	BEARING Connecting Rod, White		AR	
9		NSS	NOT SOLD SEPARATE	PISTON ASSEMBLY	8	
10	0039	8M0142381	PISTON RING ASSEMBLY		8	
11		NSS	NOT SOLD SEPARATE	CIRCLIP	16	
12	0600	8M0159647	CONNECTING ROD		8	
13	0010	8M0159648	BOLT, CONNECTING ROD		16	
-	0061	8M0162824	LONG BLOCK		1	

PART NOTES:

[1] - Component of Powerhead Gasket Set NSS

Adapter Plate



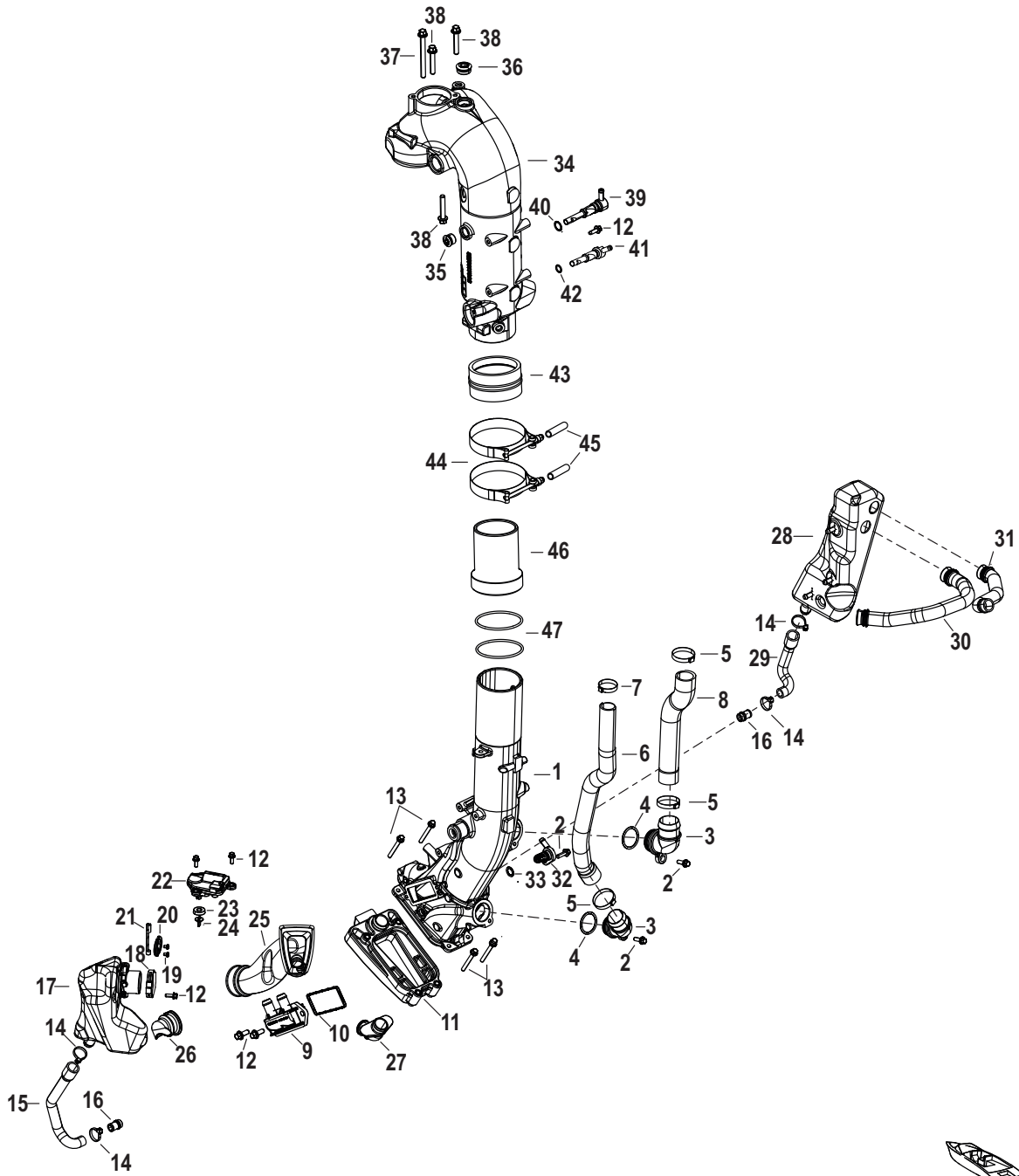
Adapter Plate

Ref #	Part Class	Part Number	Description	Comments	Qty	Note
1	0000	8M0161405	CHAP PLATE ASSEMBLY		1	
2	0010	8M0103808	SCREW (M6 x 30 MM) Stainless Steel		3	
3	0000	8M0142755	SOUND BLOCK		1	
4		8M0161406	SEAL LOWER COWL FRONT Starboard		1	
5	0000	8M0142751	SEAL Lower Cowl-Port		1	
6	0000	8M0142754	PLATE Lower Cowl-Port		1	
7	0000	8M0142753	PLATE Lower Cowl-Starboard		1	
8	0010	8M0161407	SCREW (M5 X 18)		10	
9	0027	8M0142274	GASKET	Adapter Plate to Cylinder Block	1	[1]
10	0000	8M0142962	SEAL Adapter Plate		1	
11	0000	8M0142710	DRAIN Cowl		2	
12	0010	8M0142708	SCREW (M6)		1	
13	0000	8M0142748	FITTING	Tell Tale	1	
14	0032	8M0161408	HOSE (FSM TO TELL TALE)		1	
15	0000	8M0151155	SCREW Nylon Push In		2	
16	0032	8M0161409	SPRAYER HOSE ASSEMBLY Port		1	
17	0032	8M0161410	SPRAYER HOSE ASSEMBLY Starboard		1	
18	0010	8M0142708	SCREW (M6)		12	
19	0016	8M0158595	STUD (M10)		13	
20	0011	8M0142743	NUT (M10 x 1.5)		13	

PART NOTES:

- [1] - Component of Powerhead Gasket Set NSS

Exhaust



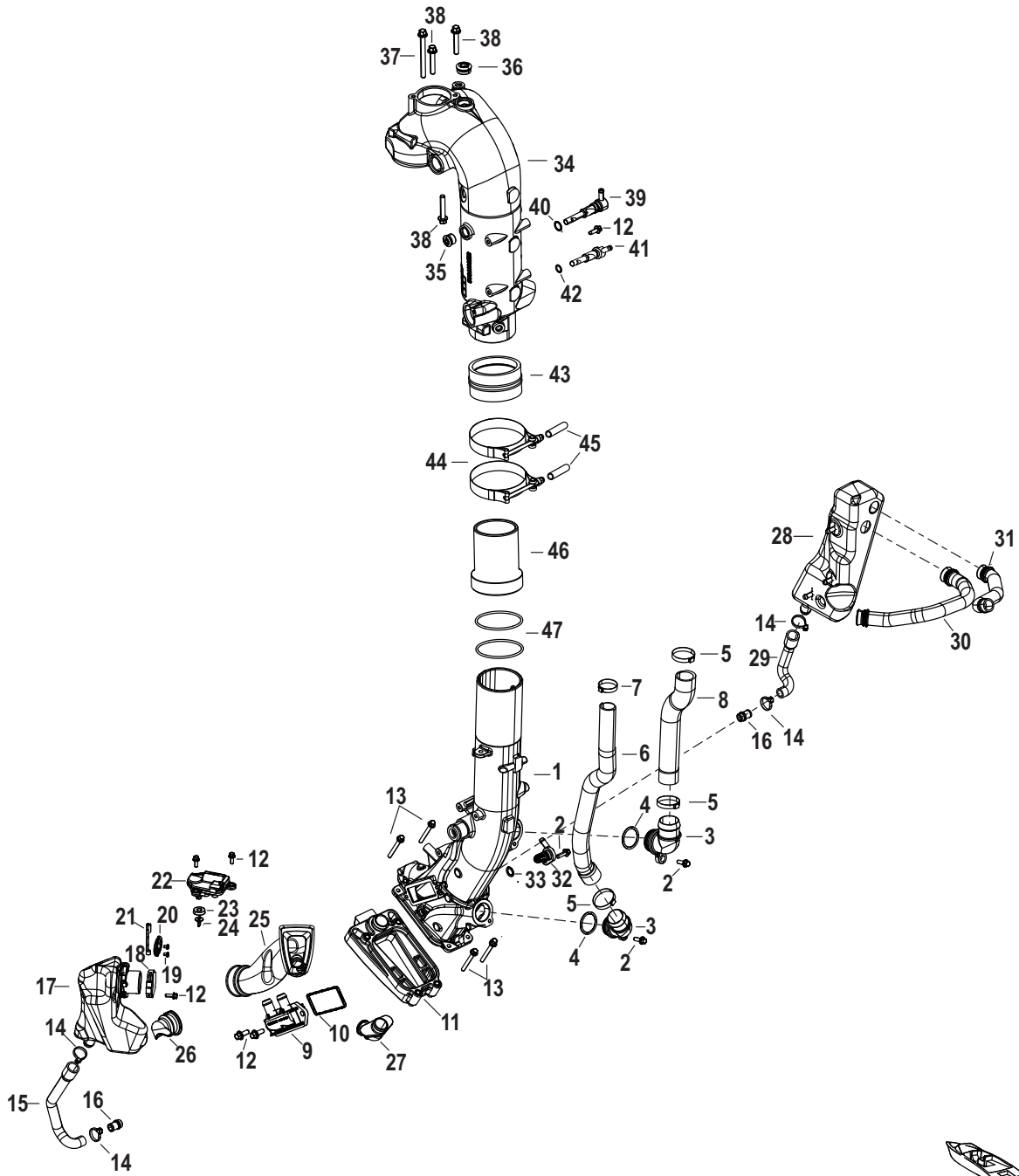
69225

Exhaust

Ref #	Part Class	Part Number	Description	Comments	Qty	Note
1	0000	8M0142728	PIPE Exhaust		1	
2	0010	8M0103806	SCREW (M6 x 20 MM) Stainless Steel		3	
3	0022	8M0142731	FITTING ELBOW		2	
4	0025	86614	O-RING (1.049 x .103)		2	[1]
5	0054	888988011	CLAMP (38.1 MM)		3	
6	0032	8M0142727	TUBE Water Outlet		1	
7	0054	8M0028753	CLAMP Oetiker (31.6 Diameter)		1	
8	0032	8M0142725	TUBE Water Inlet		1	
9	0000	8M0161411	STRAINER ASSEMBLY		1	
10	0026	8M0142720	SEAL		1	
11	0025	8M0142721	GROMMET Exhaust		1	
12	0010	8M0103805	SCREW (M6 x 16MM) Stainless Steel		6	
13	0010	8M0142726	SCREW (M6)		4	
14	0054	816311T	TIE STRAP (8.00 Inches)		4	
15	0032	8M0142738	HOSE	Drain-Port	1	
16	0022	8M0142729	FITTING		2	
17	0042	8M0142770	MUFFLER ASSEMBLY		1	
18	0054	8M0150862	CLAMP Pinch Ear		1	
19	0010	8M0142356	SCREW (M5 x 6)		2	
20	0000	8M0142596	PLATE Exhaust Valve		1	
21	0000	8M0142595	SHAFT Exhaust Valve		1	
22	0000	8M0142768	ACTUATOR		1	
23	0000	8M0142769	SEAL		1	
24	0000	8M0142773	COUPLER		1	
25	0000	8M0157304	GROMMET TUBE OUTLET		1	
26	0000	8M0142740	GROMMET		1	
27	0022	8M0142732	FITTING ELBOW		1	
28	0042	8M0142735	MUFFLER ASSEMBLY Starboard		1	
29	0032	8M0142739	HOSE	Drain-Starboard	1	
30	0032	8M0142741	HOSE Crossover, Idle Relief		1	
31	0032	8M0142766	HOSE	Idle Relief	1	
32	0022	8M0157112	FITTING STRAINER		1	
33	0025	201951	O-RING (.487 x .103)		1	
34	0000	8M0142535	MANIFOLD Exhaust		1	
35	0019	8M0087451	PLUG (18MM)		1	
36	0019	8M0087453	PLUG (24 MM)		1	
37	0010	8M0142533	SCREW (M8 x 85)		1	
38	0010	88552645	SCREW (M8X45)		3	
39	0000	8M0142534	FITTING Sprayer		1	
40	0025	892446	O-RING (14 X 1.78 MM)		1	[1]
41	0022	8M0161412	FITTING SPRAYER		1	
42	0025	863006	O-RING (10.82 x 1.78)		1	[1]
43	0000	8M0142538	COUPLING		2	
44	0054	8M0142541	CLAMP (93.7 MM DIA)		4	

Exhaust

Exhaust



69225

Cat.# 90-8M0155664

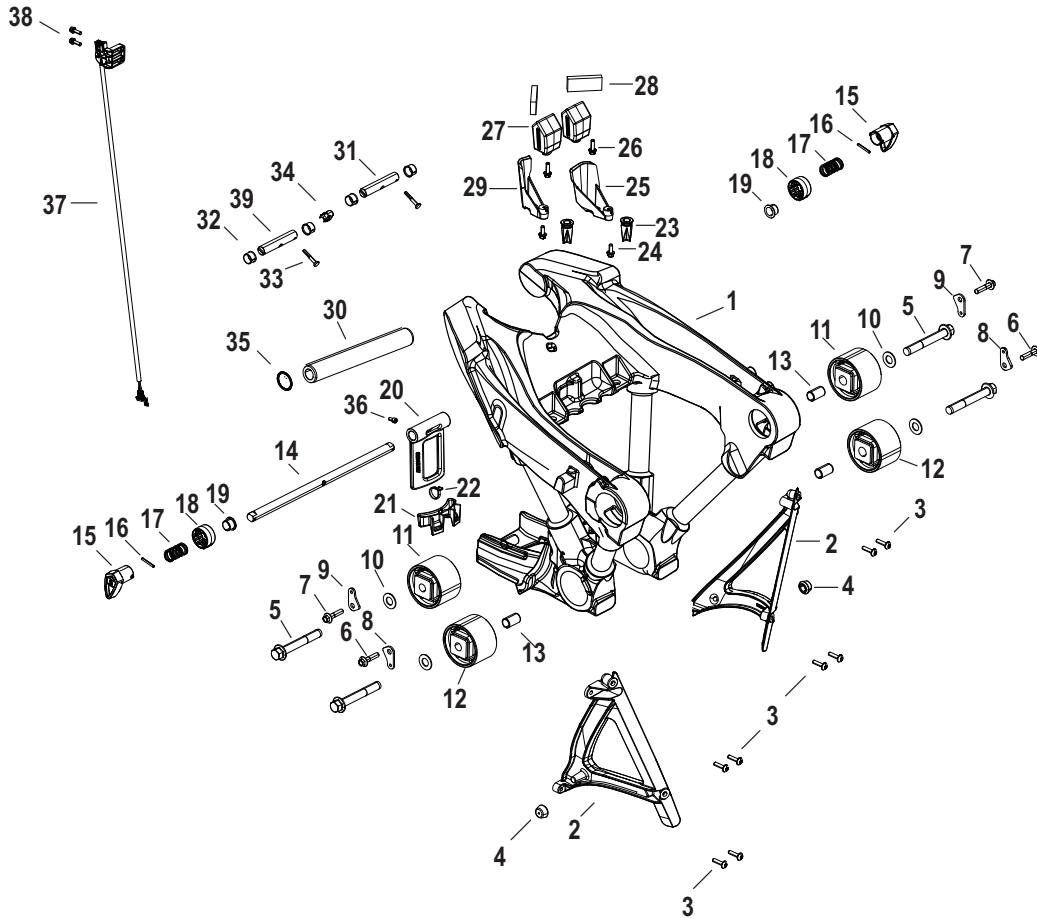
Exhaust

Ref #	Part Class	Part Number	Description	Comments	Qty	Note
45	0019	8M0148727	CAP Vinyl		4	
46	0000	8M0161413	EXHAUST COUPLER		1	
47	0025	8M0161414	ORING		2	

PART NOTES:

[1] - Component of Powerhead Gasket Set NSS

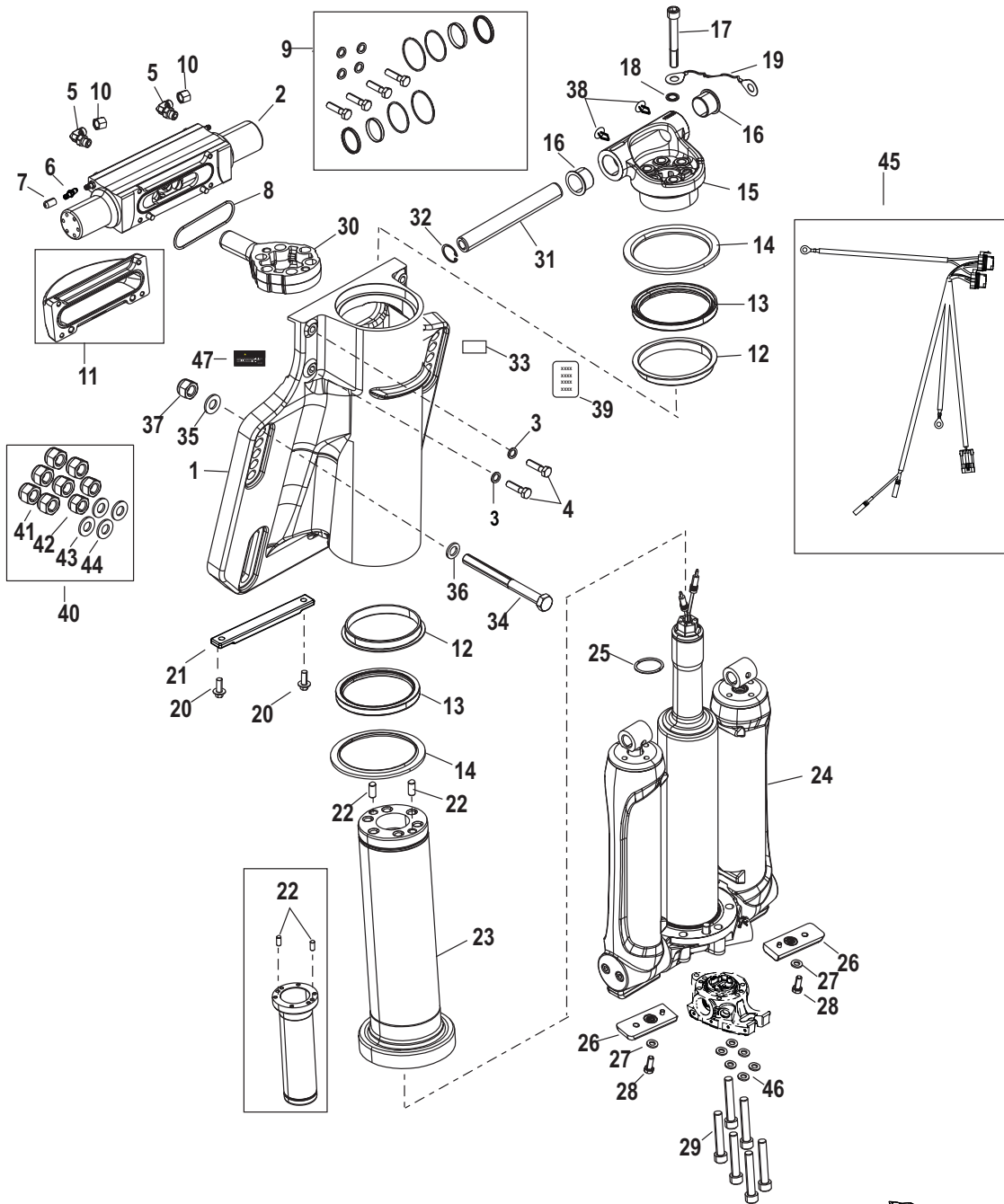
Mount Cradle



Mount Cradle

Ref #	Part Class	Part Number	Description	Comments	Qty	Note
1	0000	8M0161416	MOUNT CRADLE Graphite Grey		1	
1	0000	8M0161415	MOUNT CRADLE Cold Fusion, White		1	
2		8M0162853	BRACKET COVER		2	
3	0010	8M0142822	SCREW (M6 x T30)		8	
4	0000	8M0142713	CAP Chap Support		2	
5	0010	8M0154651	SCREW M14 x 2 x 100 HX FLG		4	
6	0010	4010735	SCREW (M8 x 35)		2	
7	0010	4010725	SCREW (M8 x 25)		2	
8	0014	8M0142816	WASHER Mount		2	
9	0000	8M0161417	WASHER MOUNT		2	
10	0012	8M0142711	WASHER (28.4 MM x 1.6 MM)		4	
11	0000	8M0142813	MOUNT Upper		2	
12	0000	8M0161418	MOUNT LOWER		2	
13	0017	8M0147872	PIN DOWEL		4	
14	0000	880650003	SHAFT Tilt Lock		1	
15	0000	880649002	LEVER Tilt Lock		2	
16	0017	73194	PIN Roll (.125 x 1.12)		2	
17	0024	47968	SPRING		2	
18	0000	889540A03	CLUTCH KIT		2	
19	0031	8806641	BEARING (.625 Inch)		2	
20	0000	8M0109693	BRACKET Tilt Lock		1	
21	0000	8M0076907	PAD Tilt Lock		1	
22	0054	816311T	TIE STRAP (8.00 Inches)		1	
23	0000	8M0142710	DRAIN Cowl		2	
24	0010	8M0103805	SCREW (M6 x 16MM) Stainless Steel		2	
25	0000	8M0147884	INSERT SEAL STBD		2	
26	0010	8M0103806	SCREW (M6 x 20 MM) Stainless Steel		2	
27	0000	8M0142817	SNUBBER		2	
28	0000	8M0147892	FOAM CRADLE		2	
29	0000	8M0147883	INSERT SEAL PORT		2	
30	0017	895390	TILT PIN		1	
31	0017	8M0142821	PIN Rodeye		2	
32	0031	8M0161419	BEARING W SHOULDER		4	
33	0017	821539	PIN Trilobe		2	
34	0019	8M0142818	CAP		1	
35	0053	8M0038931	RING Retaining		1	
36	0010	889546	SCREW (M5 x 10)		1	
37	0000	8M0142815	TRIM POSITION SENSOR		1	
38	0010	40011107	SCREW (M5 x 16) Stainless Steel		2	
39	0000	8M0151153	RODEYE PIN CAP		1	

Power Trim/Transom Assembly



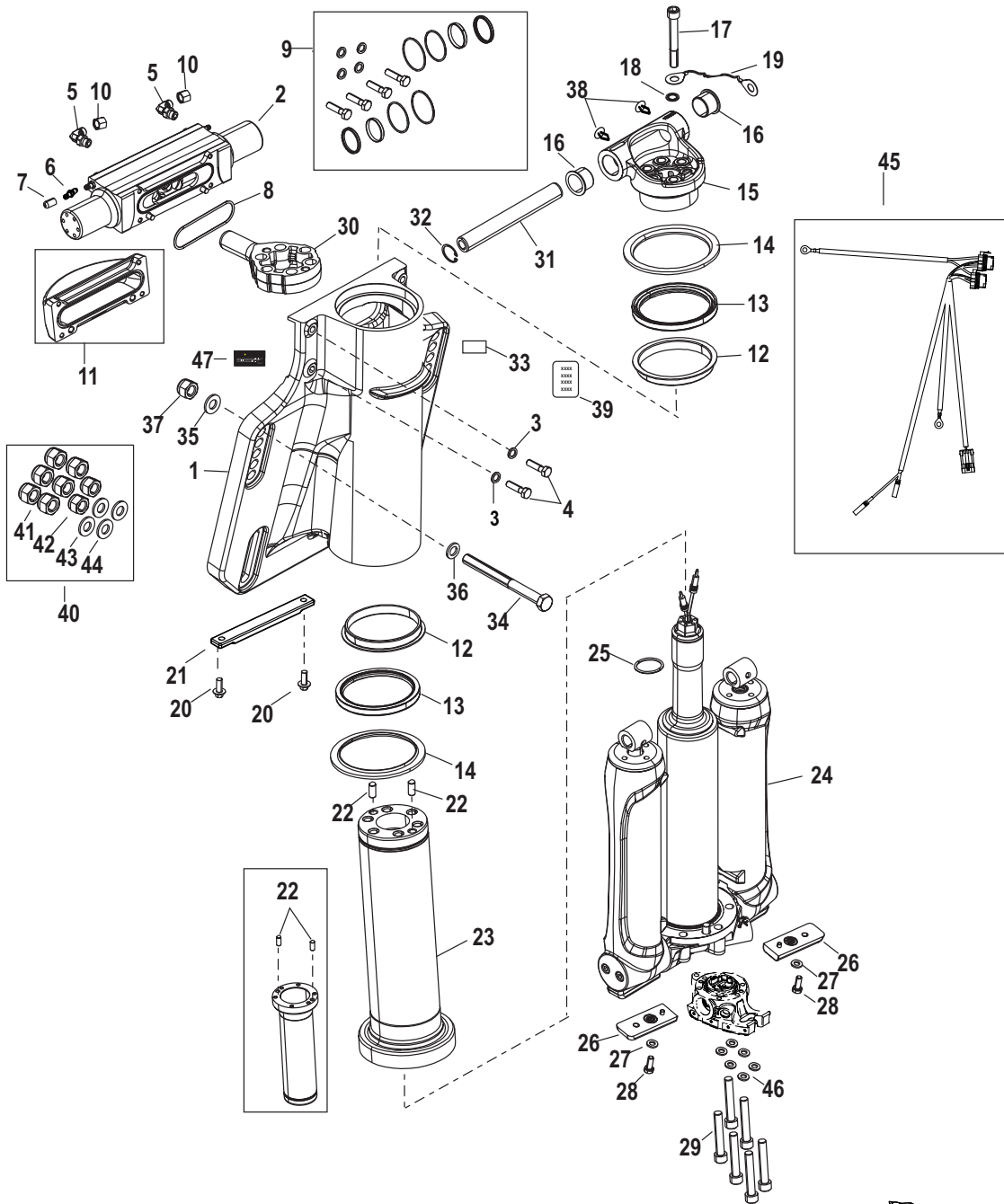
69232

Power Trim/Transom Assembly

Ref #	Part Class	Part Number	Description	Comments	Qty	Note
1		8M0164956	PEDESTAL Graphite Grey		1	
1		8M0164955	PEDESTAL Cold Fusion White		1	
2		NSS	NOT SOLD SEPARATE	STEERING CYLINDER KIT - STANDARD ROTATION ONLY	1	
3	0012	8M0042642	WASHER (.323 x .562 x .063)		4	
4	0010	8M0076906	SCREW (M8)		4	
5	0022	889552	FITTING -6 ORB to -6 ORFS (90 Degree)	Standard	1	
6	0000	8M0141330	FITTING Bleeder		2	
7	0000	889550	CAP Bleeder - Vinyl		2	
8	0026	880667	SEAL		1	
9		NSS	NOT SOLD SEPARATE	SEAL KIT STEERING CYLINDER	1	
10	0022	892524	FITTING		2	
11	0000	893405T	COVER	COUNTER ROTATION ONLY	1	
12	0031	8806621	BEARING		2	
13	0026	880661	SEAL		2	
14	0031	8806561	BEARING		2	
15	0000	8M0174099	STEERING HEAD Gray		1	
16	0031	8M0161423	BEARING SHOULDER		2	
17	0010	885094105	SCREW (M14 x 105)		6	
18	0012	885112	WASHER		7	
19	0000	8M0155769	GROUND STRAP		1	
20	0010	4010720	SCREW (M8 x 20)		2	
21	0097	8M0012083	ANODE		1	
22	0017	885111	PIN Dowel (.375 x .875)		6/8	
23	0000	880660T02	TUBE Steering		1	
24	0000	8M0161425	POWER TRIM ASSEMBLY		1	
25	0025	895854	O-RING		1	
26	0097	893404	ANODE		2	
27	0012	8M0161430	WASHER Flat		2	
28	0010	889543016	BOLT		2	
29	0010	8M0007798	SCREW (M10 x 65)		6	
30	0000	880665T01	ARM Steering		1	
31	0017	895390	TILT PIN		1	
32	0053	8M0038931	RING Retaining		1	
33		NSS	NOT SOLD SEPARATE Decal-Serial Overlaminate		1	
34	0010	8M0038370	SCREW (.500-20 x 5.50)		4	
35	0012	28421	WASHER (1.5 x 3.05 x 0.13) Stainless Steel		4	
36	0012	895062	WASHER		4	
37	0011	82671117	NUT (.500-20)		4	
38	0019	95925	PLUG		2	
39	0037	8M0043059	DECAL Warning		1	
40	0011	8M0109756	DOUBLE NUT KIT Transom Bolt		1	

Power Trim/Transom Assembly

Power Trim/Transom Assembly

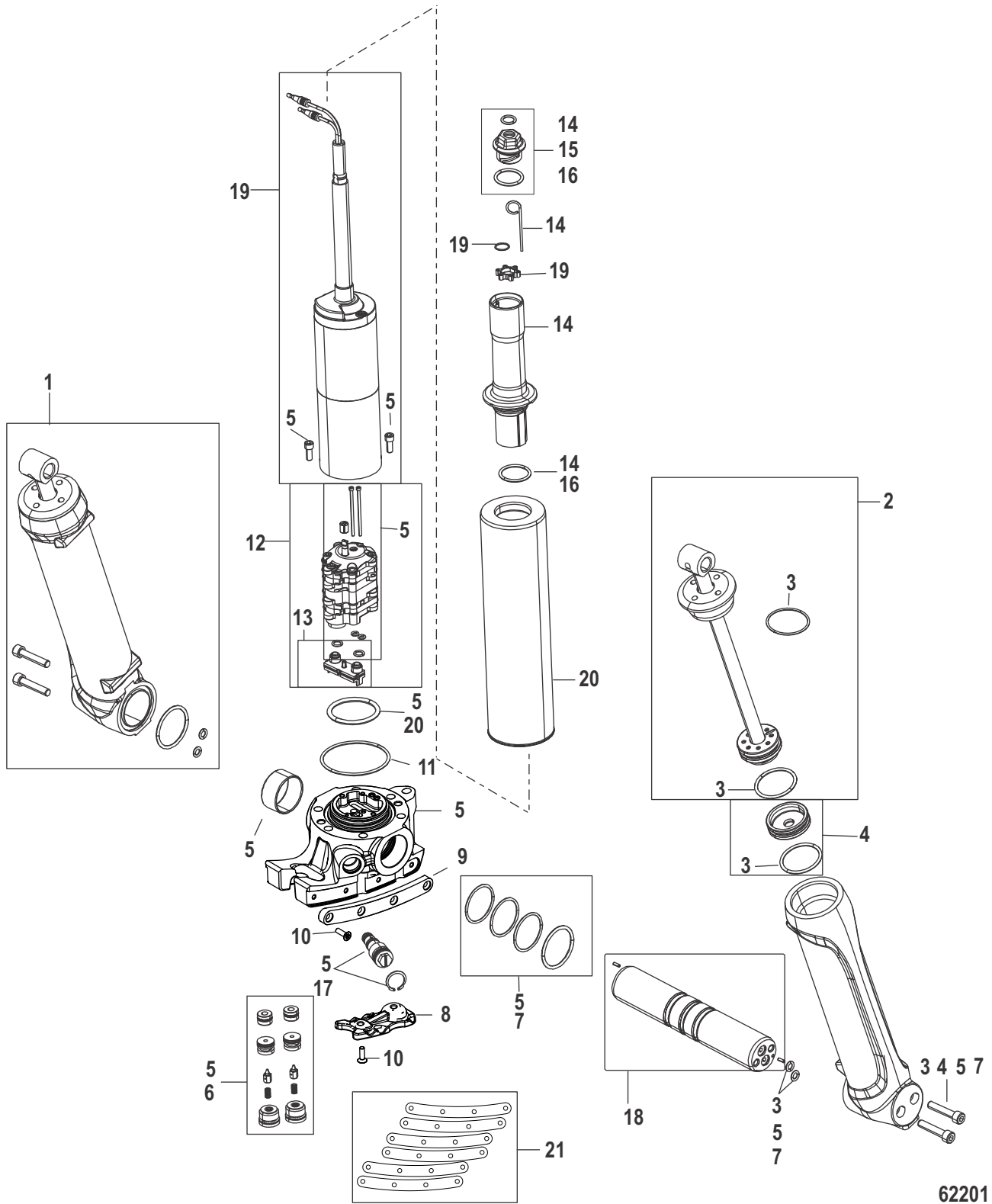


69232

Power Trim/Transom Assembly

Ref #	Part Class	Part Number	Description	Comments	Qty	Note
41	0011	8M0104274	NUT (.500-20) HEX, Brass		6	
42	0011	82671117	NUT (.500-20)		2	
43	0012	28421	WASHER (1.5 x 3.05 x 0.13) Stainless Steel		2	
44	0012	54012	WASHER (.530 x .870 x .105) Stainless Steel		2	
45	0084	8M0142682	WIRE HARNESS Trim		1	
46	0012	889549	WASHER		6	
47	0037	8M0161427	DECAL Caution Multiple Engine		1	

Power Trim Components

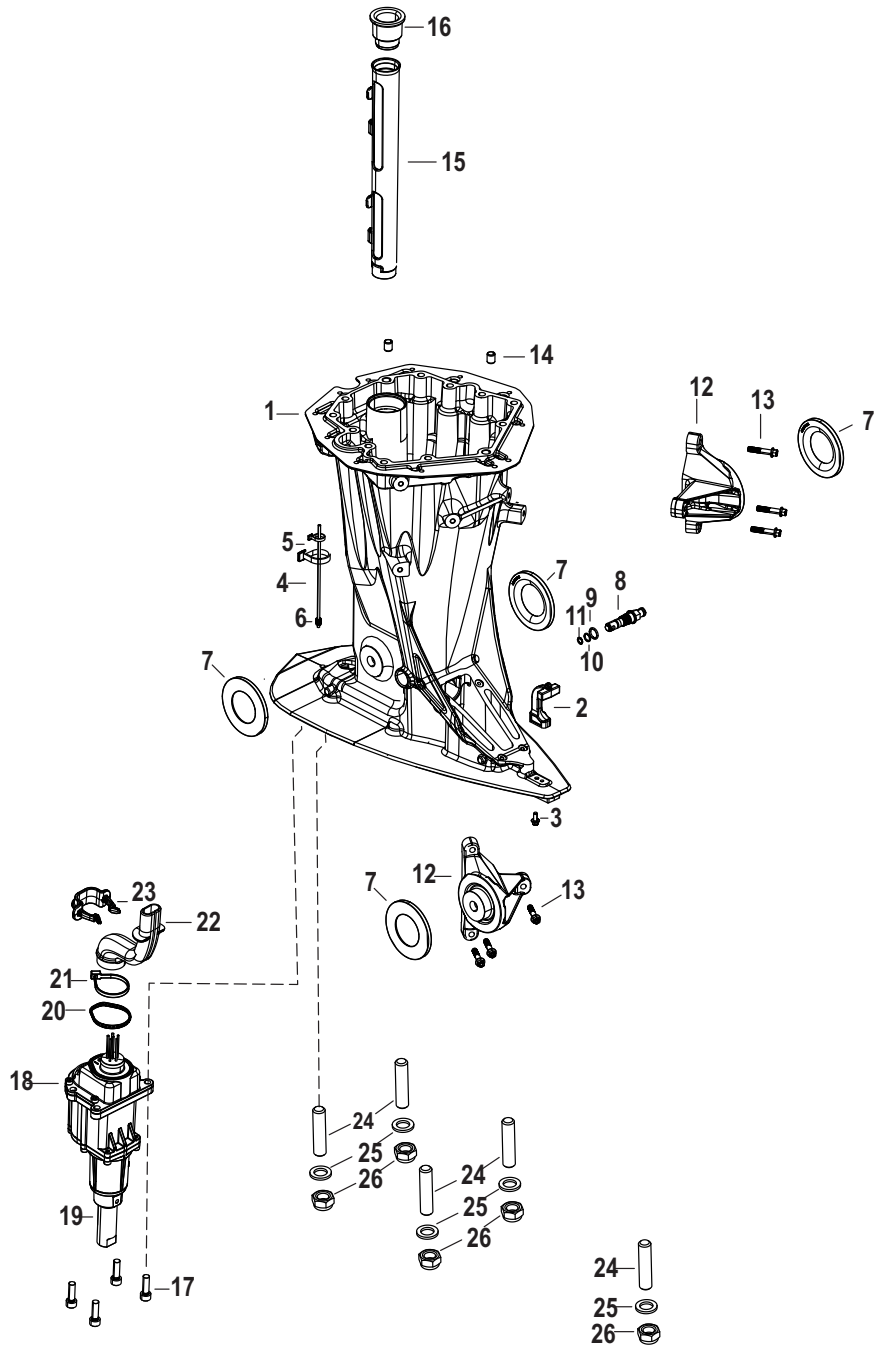


62201

Power Trim Components

Ref #	Part Class	Part Number	Description	Comments	Qty	Note
1	0000	8M0118298	TRIM CYLINDER KIT		2	
2	0000	8M0118299	TRIM ROD KIT		2	
3	0000	896158A01	O-RING KIT		2	
4	0000	896159A01	PISTON KIT		2	
5	0000	896166A01	MANIFOLD KIT Trim		1	
6	0000	896165A01	CHECK KIT Trim PO		1	
7	0000	896160A01	O-RING KIT		1	
8	0097	8M0001734	ANODE		1	
9	0000	8M0105447	PAD Wear		1	
10	0010	832838	SCREW (M6 x 20)		10	
11	0025	8M0010183	O-RING		1	
12		NSS	NOT SOLD SEPARATE	PUMP TRIM KIT	1	
13	0035	896164A01	TRIM FILTER KIT		1	
14	0000	896162A01	TRIM NECK KIT		1	
15	0025	895854A01	O-RING KIT		1	
16	0019	893419	CAP KIT		1	
17	0000	893420A01	MANUAL RELEASE KIT		1	
18		NSS	NOT SOLD SEPARATE	PIN TRIM KIT	1	
19	0000	896161A02	TRIM MOTOR KIT		1	
20	0000	896167A01	RESERVOIR KIT		1	
21	0015	8M0163866	SHIM SET		1	

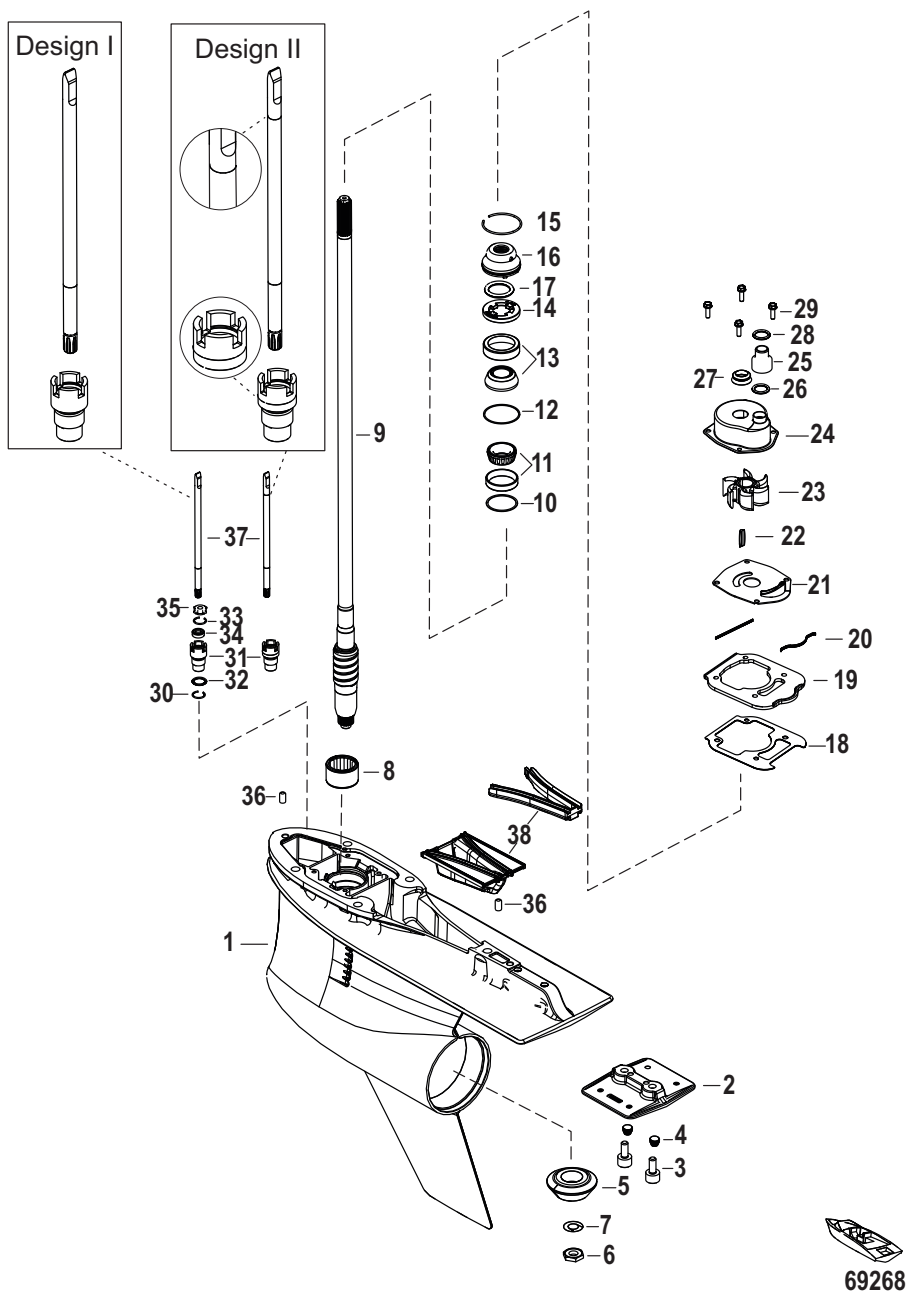
Driveshaft Housing



Driveshaft Housing

Ref #	Part Class	Part Number	Description	Comments	Qty	Note
1	1500	8M0161431	HOUSING DRIVESHAFT Graphite Grey		1	
1	1500	8M0161432	HOUSING DRIVESHAFT Cold Fusion White		1	
2	0000	8M0164308	Bracket Assembly Graphite Grey		1	
2	0000	8M0164309	Bracket Assembly Cold Fusion White		1	
3	0010	88552514	SCREW (M6 x 14 MM) Stainless Steel		1	
4	0032	85944975	TUBING (72.00 Inches Bulk)		1	
5	0054	816311T	TIE STRAP (8.00 Inches)		2	
6	0022	8M0142714	FITTING		1	
7	0012	8M0142778	WASHER Mount Snubber		4	
8	0019	8M0112869	OIL PLUG ASSEMBLY		1	
9	0025	85045	O-RING (.551 x .070)		1	
10	0025	863006	O-RING (10.82 x 1.78)		1	
11	0025	8M0036228	O-RING (8.1 X 1.6)		1	
12	0000	8M0154653	BRACKET MOUNT SUPPORT		2	
13	0010	8M0084475	SCREW (M8 x 40)		6	
14	0017	821327	PIN Dowel		2	
15	0000	8M0142784	BRACKET Shift Harness		1	
16	0000	8M0142785	BRACKET Shift Harness		1	
17	0010	8M0142829	SCREW (M6 x 20)		4	
18	0000	8M0142253	SHIFT ACTUATOR		1	
19	0000	8M0147857	SHAFT Coupling		1	
20	0025	8M0142978	SEAL ACTUATOR		1	
21	0000	69355	TIE STRAP (5.50 Inches)		1	
22	0085	8M0147674	BOOT Shift Actuator Wires		1	
23	0054	8M0147675	CLIP		1	
24	0016	8M0008031	STUD (M12 x 1.75 x 52)	Long	5	
24	0016	8M0142781	STUD (M12 x 179)	XLong	5	
24	0016	8M0142788	STUD (M12 x 306)	XXLong	5	
25	0012	856982	WASHER (.500 x .810 x .090) Stainless Steel		5	
26	0011	896895	NUT (M12)		5	

Gear Housing, Driveshaft, 5.44 Torpedo, 1.60

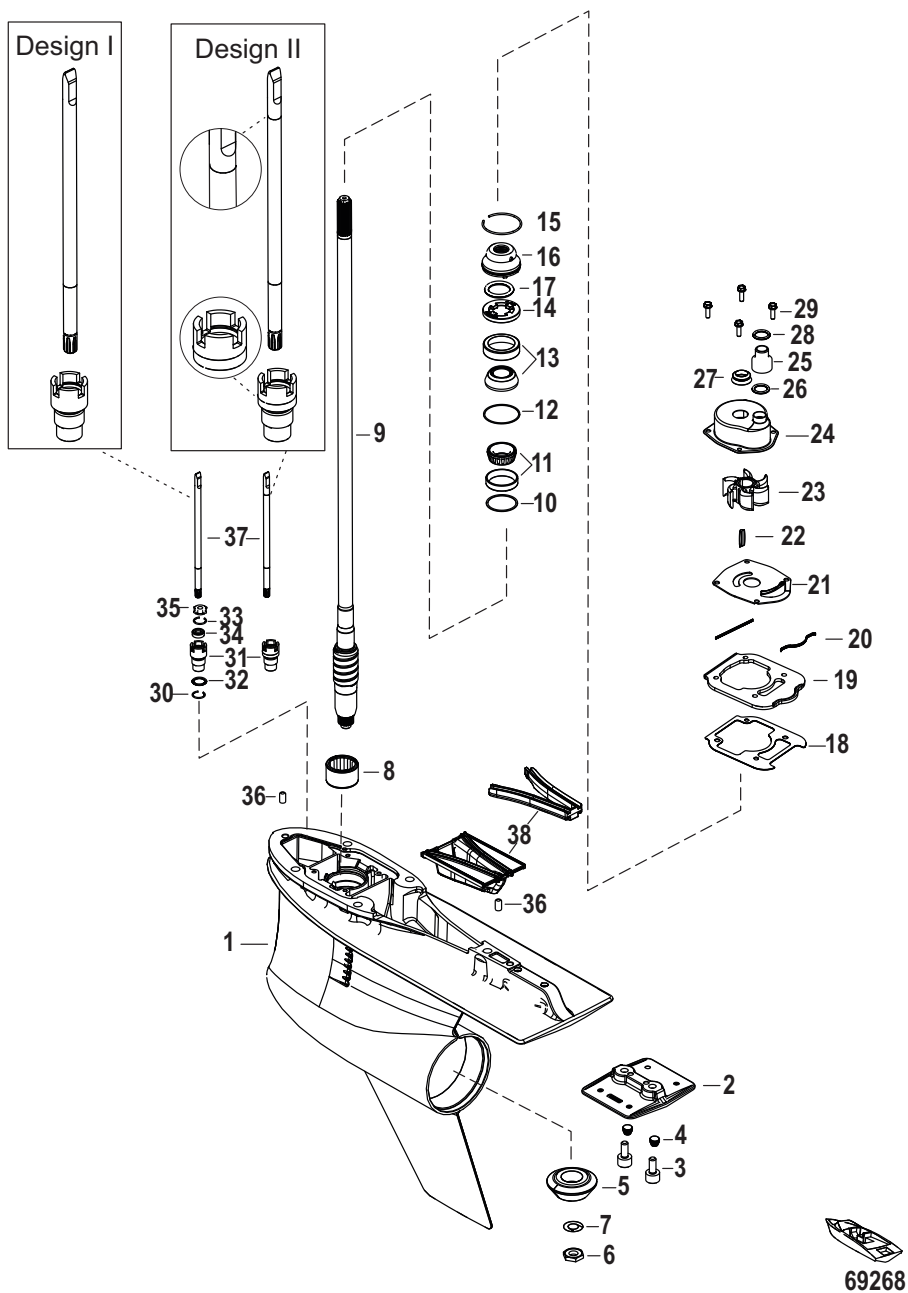


Gear Housing, Driveshaft, 5.44 Torpedo, 1.60

Ref #	Part Class	Part Number	Description	Comments	Qty	Note
-	1600	8M0159649	GEAR HOUSING ASSEMBLY Complete (Standard Long) 5.44 1.60 GRAPHITE GREY		1	
-	1600	8M0159650	GEAR HOUSING ASSEMBLY Complete (Counter Rotation Long) 5.44 1.60 GRAPHITE GREY		1	
-	1600	8M0159651	GEAR HOUSING ASSEMBLY Complete (Standard X-Long) 5.44 1.60 GRAPHITE GREY		1	
-	1600	8M0159652	GEAR HOUSING ASSEMBLY Complete (Counter Rotation X-Long) 5.44 1.60 GRAPHITE GREY		1	
-	1600	8M0159653	GEAR HOUSING ASSEMBLY Complete (Standard XX-Long) 5.44 1.60 GRAPHITE GREY		1	
-	1600	8M0159654	GEAR HOUSING ASSEMBLY Complete (Counter Rotation XX- Long) 5.44 1.60 GRAPHITE GREY		1	
-	1600	8M0159655	GEAR HOUSING ASSEMBLY Complete (Standard Long) 5.44 1.60 Cambered Skeg GRAPHITE GREY		1	
-	1600	8M0159656	GEAR HOUSING ASSEMBLY Complete (Standard X-Long) 5.44 1.60 Cambered GRAPHITE GREY		1	
-	1600	8M0159657	GEAR HOUSING ASSEMBLY Complete (Standard XX-Long) 5.44 1.60 Cambered GRAPHITE GREY		1	
-	1600	8M0159658	GEAR HOUSING ASSEMBLY Complete (Counter Rotation Long) 5.44 1.60 Cambered Skeg GRAPHITE GREY		1	
-	1600	8M0159659	GEAR HOUSING ASSEMBLY Complete (Counter Rotation X-Long) 5.44 1.60 Cambered GRAPHITE GREY		1	
-	1600	8M0159660	GEAR HOUSING ASSEMBLY Complete (Counter Rotation XX- Long) 5.44 1.60 Cambered Skeg GRAPHITE GREY		1	
-	1600	8M0159673	GEAR HOUSING ASSEMBLY Complete (Standard Long) 5.44 1.60 COLD FUSION WHITE		1	
-	1600	8M0159674	GEAR HOUSING ASSEMBLY Complete (Counter Rotation Long) 5.44 1.60 COLD FUSION WHITE		1	
-	1600	8M0159675	GEAR HOUSING ASSEMBLY Complete (Standard X-Long) 5.44 1.60 COLD FUSION WHITE		1	
-	1600	8M0159676	GEAR HOUSING ASSEMBLY Complete (Counter Rotation X-Long) 5.44 1.60 COLD FUSION WHITE		1	
-	1600	8M0159677	GEAR HOUSING ASSEMBLY Complete (Standard XX-Long) 5.44 1.60 COLD FUSION WHITE		1	
-	1600	8M0159678	GEAR HOUSING ASSEMBLY Complete (Counter Rotation XX- Long) 5.44 1.60 COLD FUSION WHITE		1	

Gear Housing, Driveshaft, 5.44 Torpedo, 1.60

Gear Housing, Driveshaft, 5.44 Torpedo, 1.60

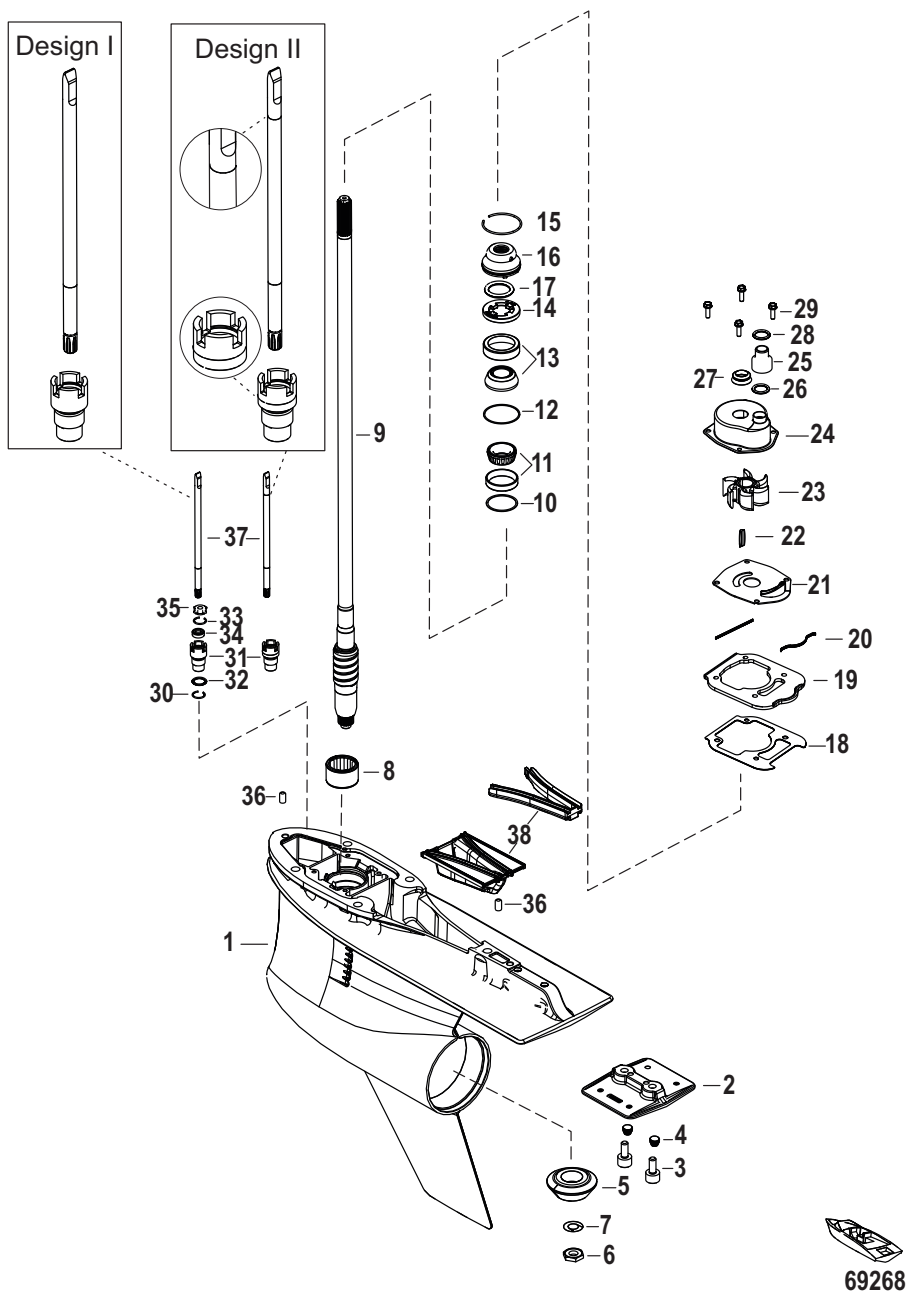


Gear Housing, Driveshaft, 5.44 Torpedo, 1.60

Ref #	Part Class	Part Number	Description	Comments	Qty	Note
-	1600	8M0159679	GEAR HOUSING ASSEMBLY Complete (Standard Long) 5.44 1.60 Cambered Skeg COLD FUSION WHITE		1	
-	1600	8M0159680	GEAR HOUSING ASSEMBLY Complete (Standard X-Long) 5.44 1.60 Cambered Skeg COLD FUSION WHITE		1	
-	1600	8M0159681	GEAR HOUSING ASSEMBLY Complete (Standard XX-Long) 5.44 1.60 Cambered Skeg COLD FUSION WHITE		1	
-	1600	8M0159682	GEAR HOUSING ASSEMBLY Complete (Counter Rotation Long) 5.44 1.60 Cambered Skeg COLD FUSION WHITE		1	
-	1600	8M0159683	GEAR HOUSING ASSEMBLY Complete (Counter Rotation X-Long) 5.44 1.60 Cambered Skeg COLD FUSION WHITE		1	
-	1600	8M0159684	GEAR HOUSING ASSEMBLY Complete (Standard Rotation XX- Long) 5.44 1.60 Cambered Skeg COLD FUSION WHITE		1	
1	1600	8M0159704	GEAR ASSEMBLY Basic, 5.44 1.60 COLD FUSION WHITE		1	
1	1600	8M0159705	GEAR HOUSING ASSEMBLY Basic, 5.44 1.60 GRAPHITE GREY		1	
1	1600	8M0159706	GEAR HOUSING ASSEMBLY Basic, 5.44 1.60 Cambered Skeg COLD FUSION WHITE		1	
1	1600	8M0159707	GEAR HOUSING ASSEMBLY Basic 5.44 1.60 Cambered Skeg GRAPHITE GREY		1	
1	1600	8M0159708	GEAR HOUSING ASSEMBLY Basic, (Counter Rotation) 5.44 1.60 Cambered Skeg COLD FUSION WHITE		1	
1	1600	8M0159709	GEAR HOUSING ASSEMBLY Basic, (Counter Rotation) 5.44 1.60 Cambered Skeg GRAPHITE GREY		1	
2	0097	8M0137814	ANODE ANTIVENT PLATE		1	
3	0010	8M0142850	SCREW (M10 X 25)		2	
4	0019	8M0142878	PLUG Screw		2	
5	0043	8M0158926	GEAR SET 1.60 Rev/Fwd/Pinion		1	
6	0011	8M0046636	NUT		1	[1]
7	0012	8M0062703	WASHER		2	
8	0031	8M0045676	BEARING Roller		1	
9	0045	8M0149608	DRIVESHAFT ASSEMBLY Long		1	[2]
9	0045	8M0141337	DRIVESHAFT ASSEMBLY X-Long		1	[3]
9	0045	8M0141338	DRIVESHAFT ASSEMBLY XX- Long		1	[4]
10	0015	8M0063268	SHIM SET		1	[1]
11	0031	8M0146553	BEARING ASSEMBLY Cup/Cone		1	[1]
12	0015	8M0063267	SHIM SET		1	[1]

Gear Housing, Driveshaft, 5.44 Torpedo, 1.60

Gear Housing, Driveshaft, 5.44 Torpedo, 1.60



Gear Housing, Driveshaft, 5.44 Torpedo, 1.60

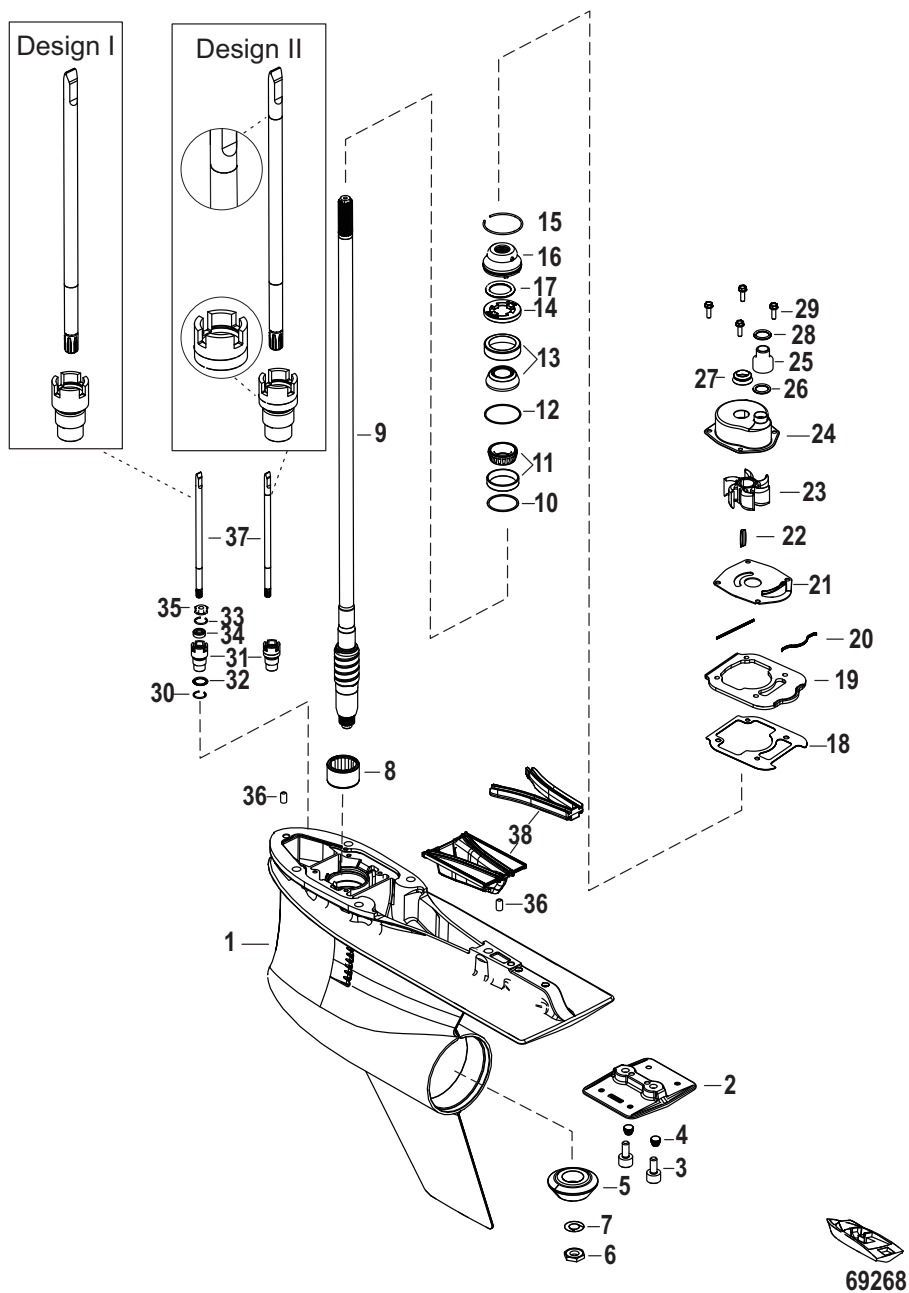
Ref #	Part Class	Part Number	Description	Comments	Qty	Note
13	0031	8M0146566	BEARING ASSEMBLY Cup/Cone		1	[1]
14	0000	8245191	RETAINER		1	
15	0053	880719	RING Retaining		1	
16	0000	8M0161436	OIL SEAL CARRIER ASSEMBLY		1	
17	0025	8M0142854	O RING (2.175 x .103)		1	
18	0027	8M0146938	GASKET Water Pump Base		1	
19	0000	8M0142869	COVER HOUSING Gearcase		1	
20	0025	8M0142659	SEAL		2	
21	0000	8M0161897	FACEPLATE GASKET		1	
22	0028	8M0032833	KEY		1	
23	0047	43026T2	IMPELLER		1	[5]
24	0000	817275A1	HOUSING KIT Water Pump		1	
25	0000	8M0166309	COUPLING Water Pump		1	
26	0025	21836	O-RING (.796 x .139)		1	
27	0026	8M0142851	VRING Face Seal		1	
28	0025	8M0142712	O-RING (0.796 x 0.139)		1	
29	0010	1993720	SCREW (M6 x 20)		4	
30	0053	8M0142866	RING Retaining		1	[1]
31	0023	8M0142859	BUSHING Shift Shaft	Design I	1	
31	0023	8M0164967	BUSHING Shift Shaft	Design II	1	[6]
32	0025	8M0142860	O-RING		1	
33	0053	8M0046563	RETAINING RING		1	
34	0026	8164641	SEAL Oil		1	
35	0012	77674	WASHER		1	
36	0017	8M0084244	PIN Dowel		2	
37	0000	8M0142858	SHIFT SHAFT Long	Design I	1	[7]
37		8M0164968	SHIFT SHAFT Long Includes Bushing Design II	Design II	1	[8]
37	0000	8M0142865	SHIFT SHAFT X-Long	Design I	1	[9]
37	0000	8M0164969	SHIFT SHAFT X-Long Includes Bushing Design II	Design II	1	[10]
37	0000	8M0142885	SHIFT SHAFT XX-Long	Design I	1	[11]
37	0000	8M0164970	SHIFT SHAFT XX-Long Includes Bushing Design II	Design II	1	[12]
38	0042	8M0142786	MUFFLER Lower Exhaust	Cambered	1	
38	0019	8M0142587	PLUG Lower Relief Muffler	Standard	1	
-	0026	8M0166531	GEARCASE SEAL KIT		1	

PART NOTES:

- [1] - Component of Driveshaft Kit 5.44 8M0161433
Component of Driveshaft Kit 5.44 8M0146066
Component of Driveshaft Kit 5.44 8M0146067
Component of Driveshaft Kit 5.44 8M0168205
Component of Driveshaft Kit 5.44 8M0168208
Component of Driveshaft Kit 5.44 8M0168210
- [2] - Component of Driveshaft Kit 5.44 8M0161433
Component of Driveshaft Kit 5.44 8M0168205
- [3] - Component of Driveshaft Kit 5.44 8M0146066
Component of Driveshaft Kit 5.44 8M0168208

Gear Housing, Driveshaft, 5.44 Torpedo, 1.60

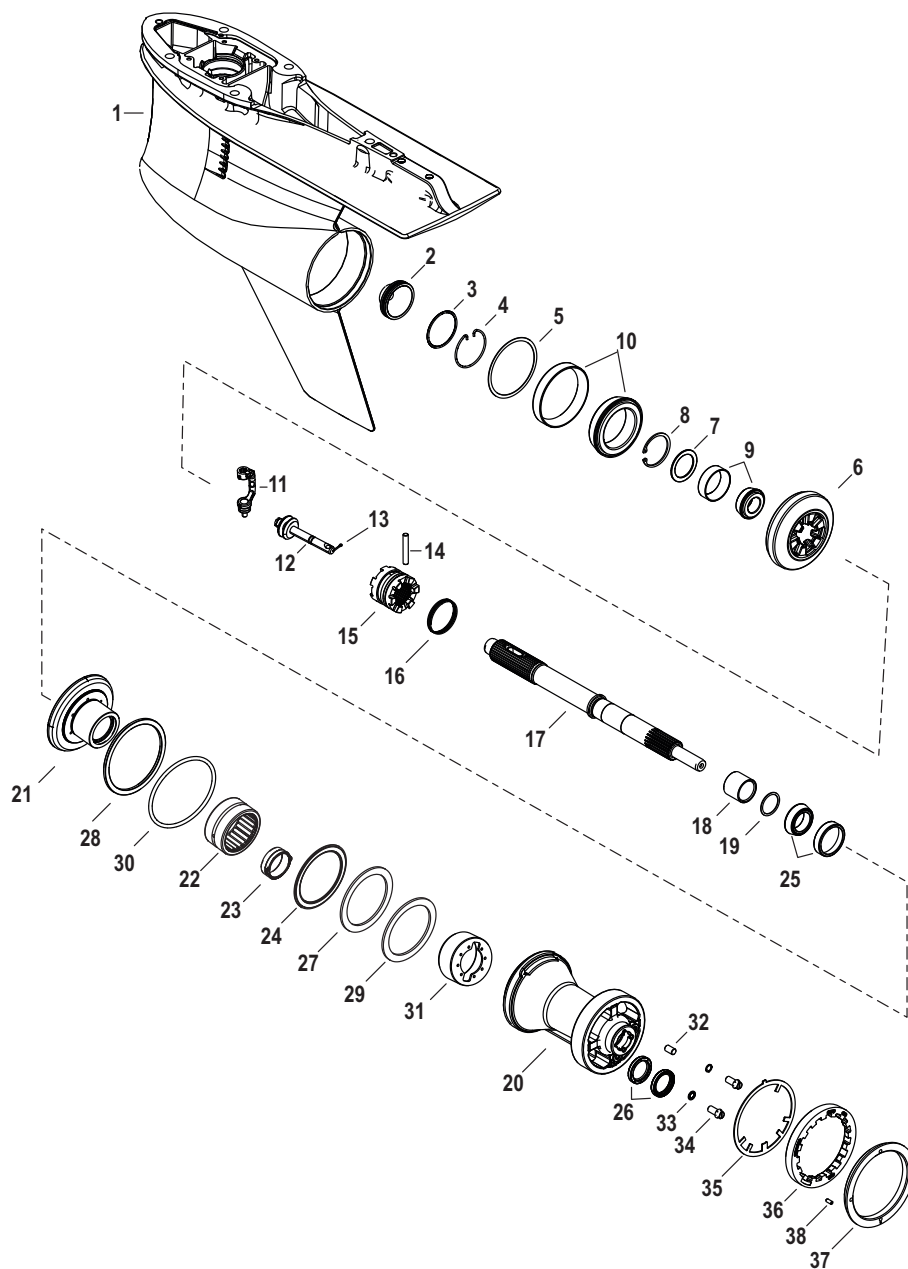
Gear Housing, Driveshaft, 5.44 Torpedo, 1.60



Gear Housing, Driveshaft, 5.44 Torpedo, 1.60

- [4] - Component of Driveshaft Kit 5.44 8M0146067
Component of Driveshaft Kit 5.44 8M0168210
- [5] - Alternate part numbers:
43026Q02QS
43026T 2Service Part
- [6] - Component of Driveshaft Kit 5.44 8M0168205
Component of Driveshaft Kit 5.44 8M0168208
Component of Driveshaft Kit 5.44 8M0168210
- [7] - Component of Driveshaft Kit 5.44 8M0161433
- [8] - Component of Driveshaft Kit 5.44 8M0168205
- [9] - Component of Driveshaft Kit 5.44 8M0146066
- [10] - Component of Driveshaft Kit 5.44 8M0168208
- [11] - Component of Driveshaft Kit 5.44 8M0146067
- [12] - Component of Driveshaft Kit 5.44 8M0168210

Gear Housing, Prop Shaft - Standard Rotation, 5.44 Torpedo, 1.60

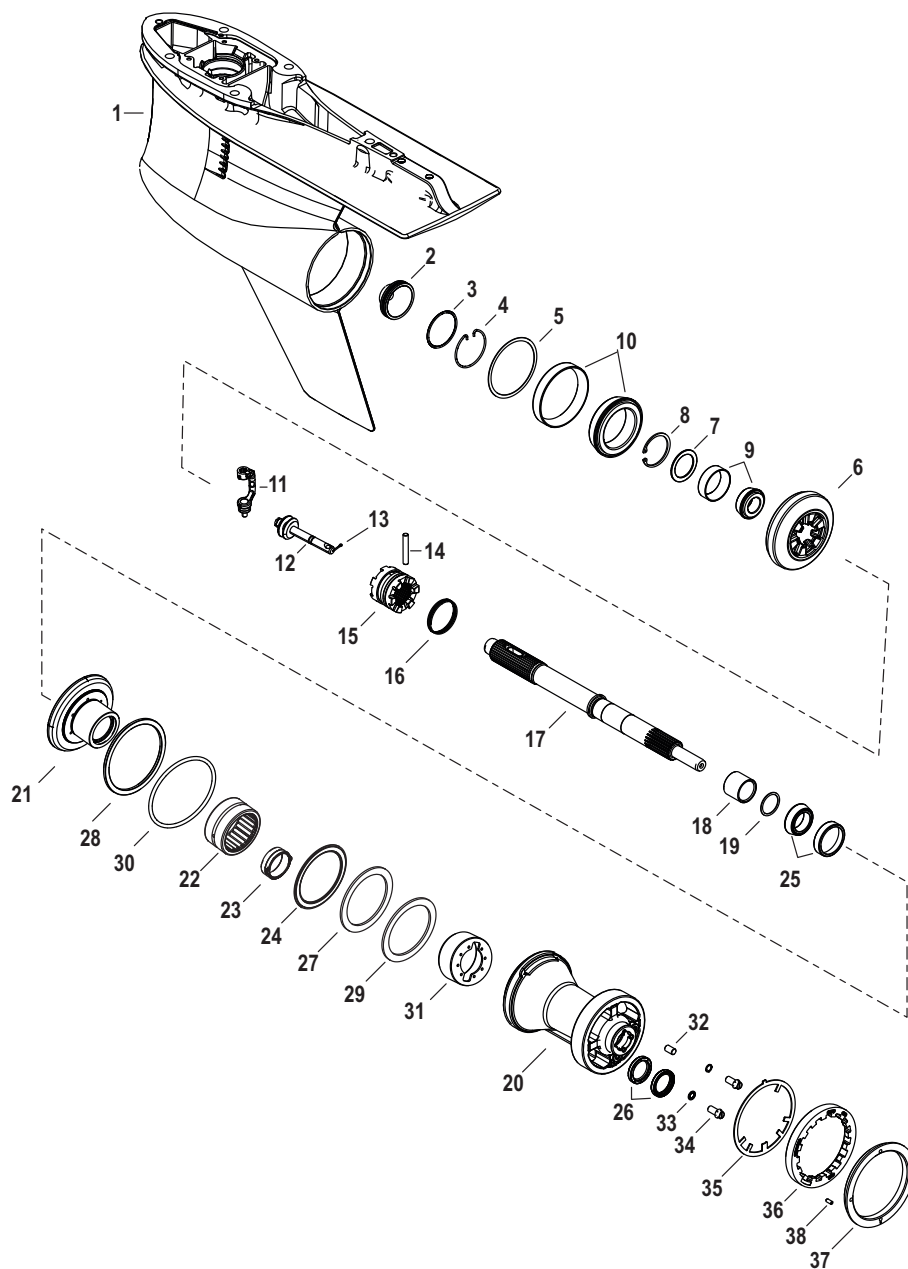


Gear Housing, Prop Shaft - Standard Rotation, 5.44 Torpedo, 1.60

Ref #	Part Class	Part Number	Description	Comments	Qty	Note
-	1600	8M0159649	GEAR HOUSING ASSEMBLY Complete (Standard Long) 5.44 1.60 GRAPHITE GREY		1	
-	1600	8M0159651	GEAR HOUSING ASSEMBLY Complete (Standard X-Long) 5.44 1.60 GRAPHITE GREY		1	
-	1600	8M0159653	GEAR HOUSING ASSEMBLY Complete (Standard XX-Long) 5.44 1.60 GRAPHITE GREY		1	
-	1600	8M0159655	GEAR HOUSING ASSEMBLY Complete (Standard Long) 5.44 1.60 Cambered Skeg GRAPHITE GREY		1	
-	1600	8M0159656	GEAR HOUSING ASSEMBLY Complete (Standard X-Long) 5.44 1.60 Cambered GRAPHITE GREY		1	
-	1600	8M0159657	GEAR HOUSING ASSEMBLY Complete (Standard XX-Long) 5.44 1.60 Cambered GRAPHITE GREY		1	
-	1600	8M0159673	GEAR HOUSING ASSEMBLY Complete (Standard Long) 5.44 1.60 COLD FUSION WHITE		1	
-	1600	8M0159675	GEAR HOUSING ASSEMBLY Complete (Standard X-Long) 5.44 1.60 COLD FUSION WHITE		1	
-	1600	8M0159677	GEAR HOUSING ASSEMBLY Complete (Standard XX-Long) 5.44 1.60 COLD FUSION WHITE		1	
-	1600	8M0159679	GEAR HOUSING ASSEMBLY Complete (Standard Long) 5.44 1.60 Cambered Skeg COLD FUSION WHITE		1	
-	1600	8M0159680	GEAR HOUSING ASSEMBLY Complete (Standard X-Long) 5.44 1.60 Cambered Skeg COLD FUSION WHITE		1	
-	1600	8M0159681	GEAR HOUSING ASSEMBLY Complete (Standard XX-Long) 5.44 1.60 Cambered Skeg COLD FUSION WHITE		1	
1	1600	8M0159704	GEAR ASSEMBLY Basic, 5.44 1.60 COLD FUSION WHITE		1	
1	1600	8M0159705	GEAR HOUSING ASSEMBLY Basic, 5.44 1.60 GRAPHITE GREY		1	
1	1600	8M0159706	GEAR HOUSING ASSEMBLY Basic, 5.44 1.60 Cambered Skeg COLD FUSION WHITE		1	
1	1600	8M0159707	GEAR HOUSING ASSEMBLY Basic 5.44 1.60 Cambered Skeg GRAPHITE GREY		1	
1	1600	8M0159708	GEAR HOUSING ASSEMBLY Basic, (Counter Rotation) 5.44 1.60 Cambered Skeg COLD FUSION WHITE		1	
1	1600	8M0159709	GEAR HOUSING ASSEMBLY Basic, (Counter Rotation) 5.44 1.60 Cambered Skeg GRAPHITE GREY		1	
2	0019	8M0157111	PLUG Torpedo		1	

Gear Housing, Prop Shaft - Standard Rotation, 5.44 Torpedo, 1.60

Gear Housing, Prop Shaft - Standard Rotation, 5.44 Torpedo, 1.60

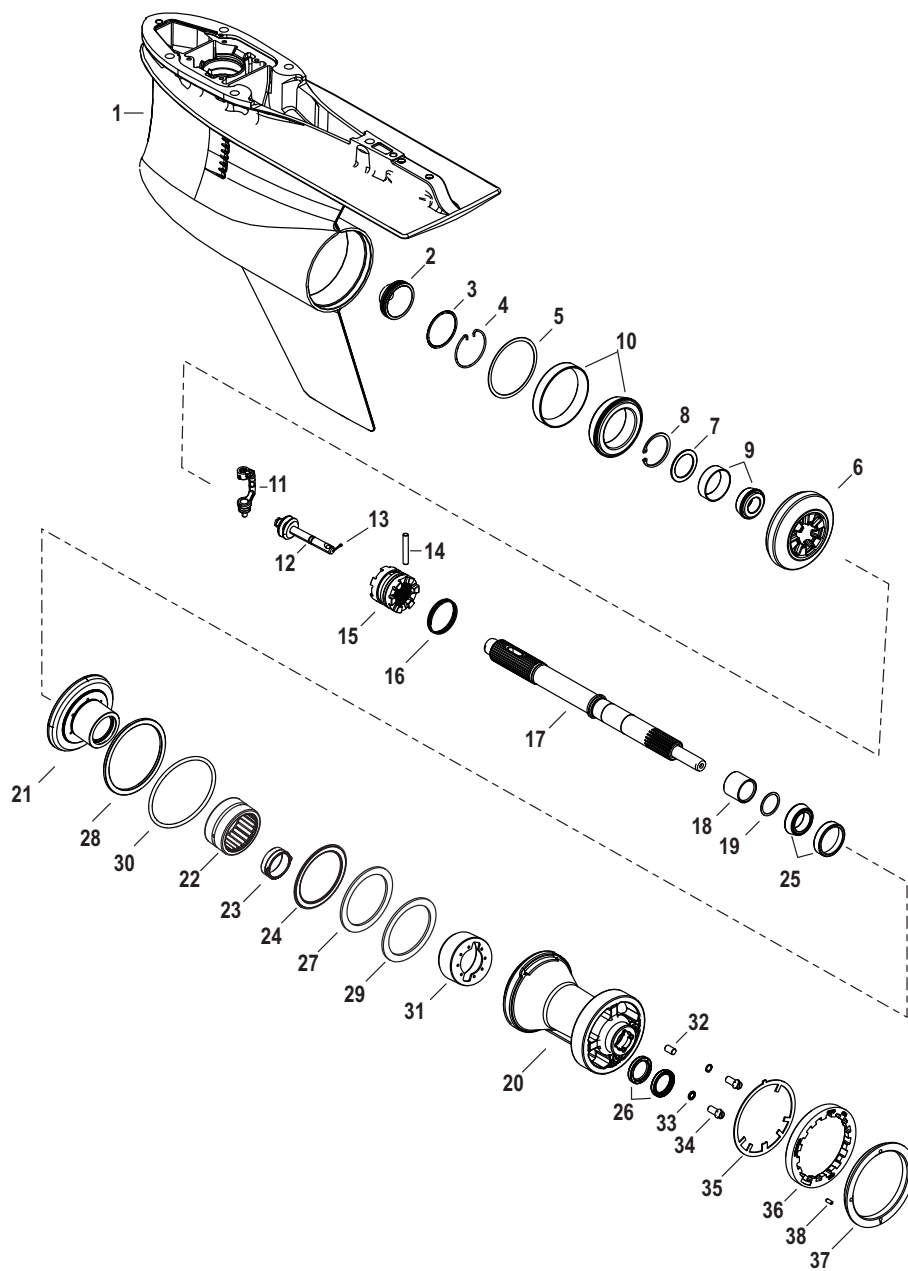


Gear Housing, Prop Shaft - Standard Rotation, 5.44 Torpedo, 1.60

Ref #	Part Class	Part Number	Description	Comments	Qty	Note
3	0053	8M0046563	RETAINING RING		1	
4	0053	880719	RING Retaining		1	
5	0015	8M0063270	SHIM SET		1	
6	0043	8M0158926	GEAR SET 1.60 Rev/Fwd/Pinion		1	
7	0012	8M0053823	THRUST WASHER		1	
8	0053	8M0051043	RETAINING RING		1	
9	0031	8M0142835	BEARING Roller Tapered		1	
10	0031	8M0142836	BEARING Roller Tapered		1	
11	0000	8M0046215	CRANK, Shifter 1/4 Pivot Pin		1	
12	0000	8M0142857	SPOOL		1	
13	0018	469501	COTTER PIN		1	
14	0017	8M0045493	PIN		1	
15	0052	8M0142871	CLUTCH Sliding 6 Jaw		1	
16	0024	8M0050575	SPRING		1	
17	0044	8M0142877	SHAFT PROPELLER		1	
18	0023	8M0064306	SPACER		1	
19	0015	8M0076745	SHIM SET		1	
19	0012	8M0050423	WASHER .020		AR	
19	0012	8M0050424	WASHER .022		AR	
19	0012	8M0050425	WASHER .024		AR	
19	0012	8M0050427	WASHER .026		AR	
19	0012	8M0050428	WASHER .028		AR	
19	0012	8M0050429	WASHER .030		AR	
19	0012	8M0050430	WASHER .032		AR	
19	0012	8M0050431	WASHER .034		AR	
19	0012	8M0050432	WASHER .036		AR	
19	0012	8M0050433	WASHER .038		AR	
19	0012	8M0050434	WASHER .040		AR	
19	0012	8M0050435	WASHER .042		AR	
19	0012	8M0050436	WASHER .044		AR	
19	0012	8M0050437	WASHER .046		AR	
19	0012	8M0050438	WASHER .048		AR	
19	0012	8M0050439	WASHER .050		AR	
20	0000	8M0161449	BEARING CARRIER ASSEMBLY		1	
21	0043	8M0158926	GEAR SET 1.60 Rev/Fwd/Pinion		1	
22	0031	8M0050704	BEARING Needle		1	
23	0000	8M0053183	ADAPTER		1	
24	0012	8M0046569	RING Thrust		1	
25	0031	8M0148319	BEARING Cup/Cone		1	
26	0026	888483	SEAL Oil		2	
27	0025	8M0000190	O-RING (4.475 x .210)		1	
28	0031	8M0050692	BEARING		1	
29	0015	8M0053116	SHIM SET		1	
30	0012	8M0050688	WASHER		1	
31		8M0165801	BEARING Adaptor		1	
32	0017	8M0109164	PIN		1	

Gear Housing, Prop Shaft - Standard Rotation, 5.44 Torpedo, 1.60

Gear Housing, Prop Shaft - Standard Rotation, 5.44 Torpedo, 1.60



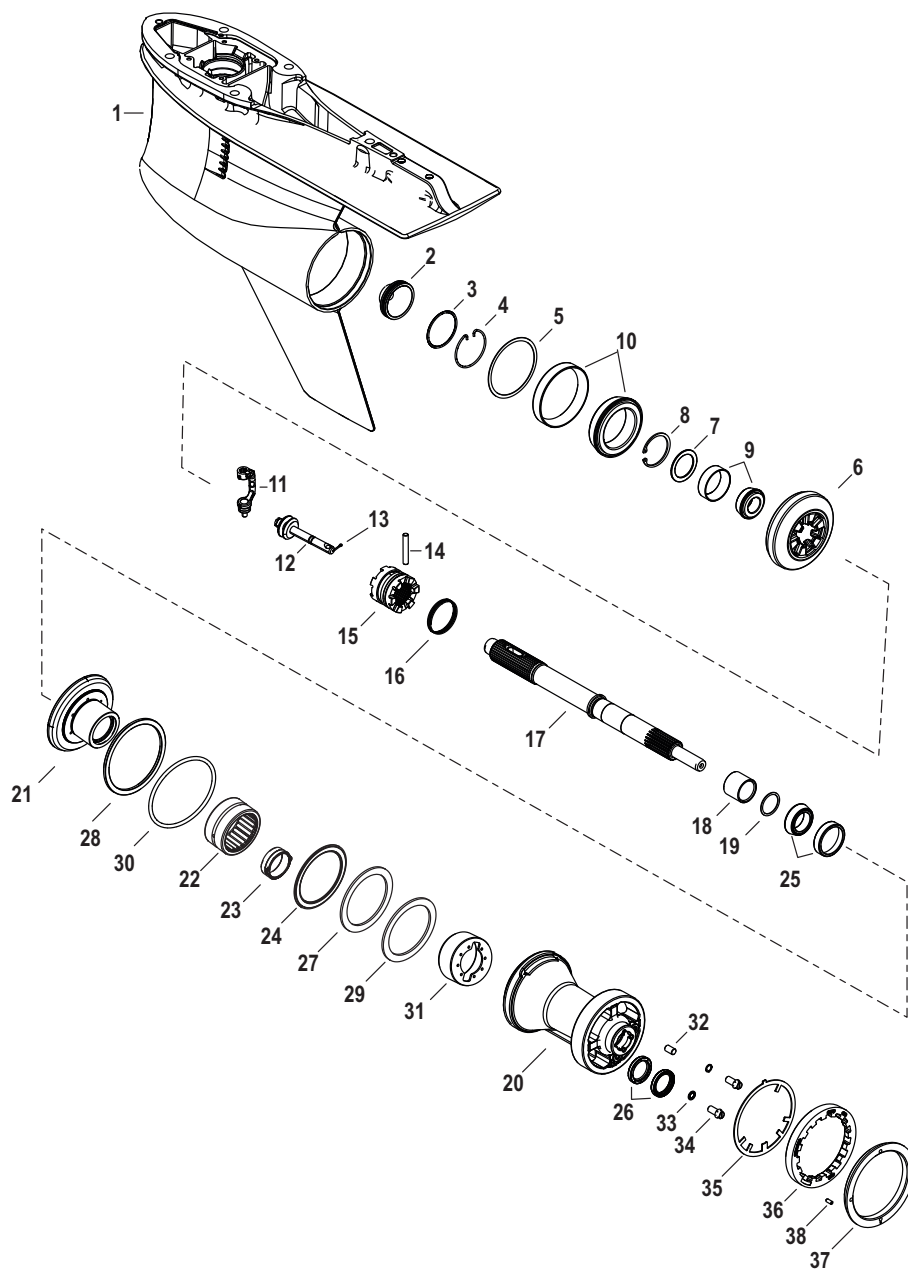
Gear Housing, Prop Shaft - Standard Rotation, 5.44 Torpedo, 1.60

Ref #	Part Class	Part Number	Description	Comments	Qty	Note
33	0026	830749	SEAL		2	[1]
34	0010	8M0071653	SCREW Special		2	
35	0014	8M0108527	WASHER Tab		1	[1]
36	0000	8M0162798	RETAINER Bearing Carrier		1	
37	0000	8M0050821	COVER KIT Flush, Standard		1	
38	0010	8M0036819	SET SCREW (10-32)		1	
-	0026	8M0166531	GEARCASE SEAL KIT		1	

PART NOTES:

- [1] - Component of Driveshaft Kit 5.44 8M0161433
- Component of Driveshaft Kit 5.44 8M0146066
- Component of Driveshaft Kit 5.44 8M0146067
- Component of Driveshaft Kit 5.44 8M0168205
- Component of Driveshaft Kit 5.44 8M0168208
- Component of Driveshaft Kit 5.44 8M0168210

Gear Housing, Prop Shaft - Counter Rotation, 5.44 Torpedo 1.60

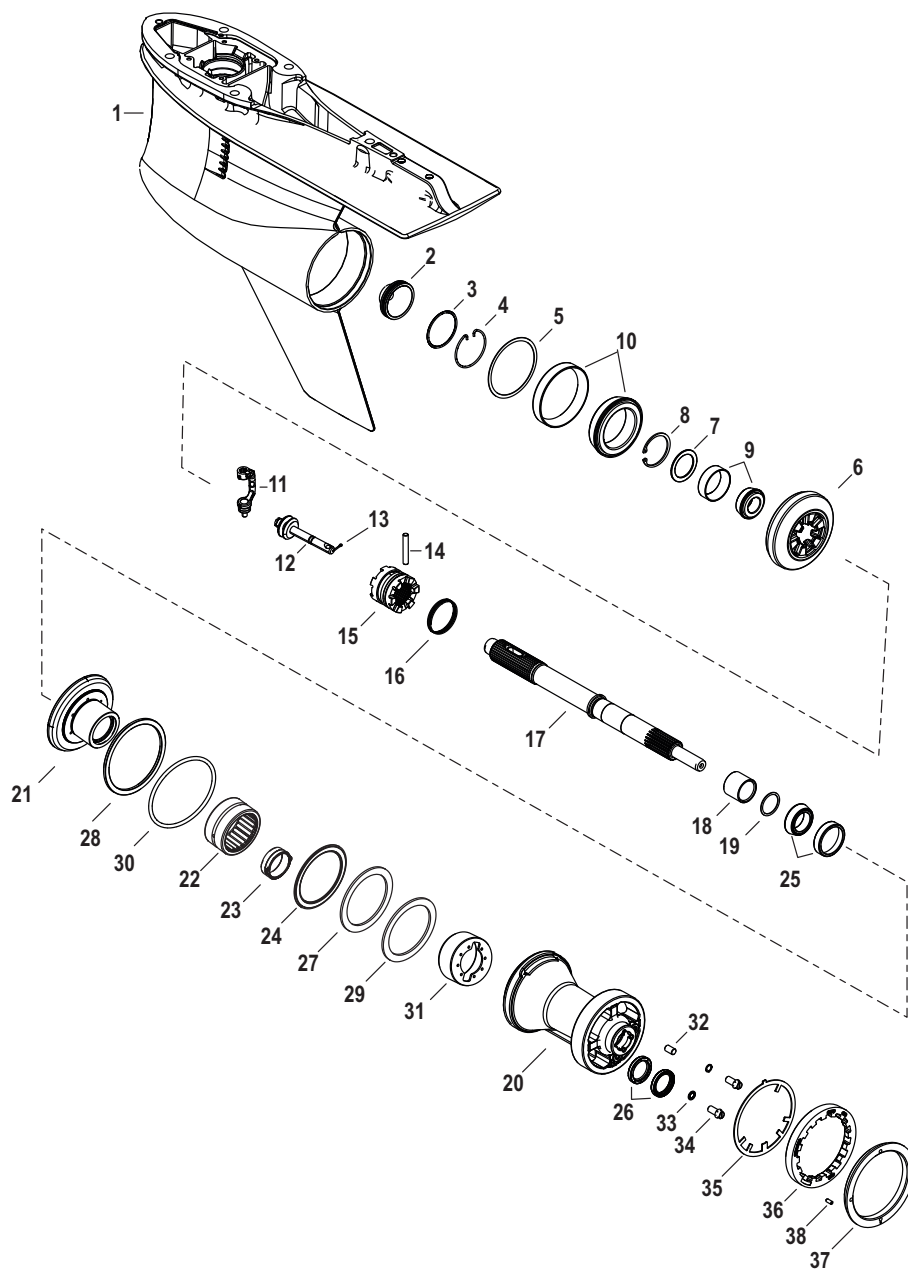


Gear Housing, Prop Shaft - Counter Rotation, 5.44 Torpedo 1.60

Ref #	Part Class	Part Number	Description	Comments	Qty	Note
-	1600	8M0159650	GEAR HOUSING ASSEMBLY Complete (Counter Rotation Long) 5.44 1.60 GRAPHITE GREY		1	
-	1600	8M0159652	GEAR HOUSING ASSEMBLY Complete (Counter Rotation X-Long) 5.44 1.60 GRAPHITE GREY		1	
-	1600	8M0159654	GEAR HOUSING ASSEMBLY Complete (Counter Rotation XX-Long) 5.44 1.60 GRAPHITE GREY		1	
-	1600	8M0159658	GEAR HOUSING ASSEMBLY Complete (Counter Rotation Long) 5.44 1.60 Cambered Skeg GRAPHITE GREY		1	
-	1600	8M0159659	GEAR HOUSING ASSEMBLY Complete (Counter Rotation X-Long) 5.44 1.60 Cambered GRAPHITE GREY		1	
-	1600	8M0159660	GEAR HOUSING ASSEMBLY Complete (Counter Rotation XX-Long) 5.44 1.60 Cambered Skeg GRAPHITE GREY		1	
-	1600	8M0159674	GEAR HOUSING ASSEMBLY Complete (Counter Rotation Long) 5.44 1.60 COLD FUSION WHITE		1	
-	1600	8M0159676	GEAR HOUSING ASSEMBLY Complete (Counter Rotation X-Long) 5.44 1.60 COLD FUSION WHITE		1	
-	1600	8M0159678	GEAR HOUSING ASSEMBLY Complete (Counter Rotation XX-Long) 5.44 1.60 COLD FUSION WHITE		1	
-	1600	8M0159682	GEAR HOUSING ASSEMBLY Complete (Counter Rotation Long) 5.44 1.60 Cambered Skeg COLD FUSION WHITE		1	
-	1600	8M0159683	GEAR HOUSING ASSEMBLY Complete (Counter Rotation X-Long) 5.44 1.60 Cambered Skeg COLD FUSION WHITE		1	
-	1600	8M0159684	GEAR HOUSING ASSEMBLY Complete (Standard Rotation XX-Long) 5.44 1.60 Cambered Skeg COLD FUSION WHITE		1	
1	1600	8M0159704	GEAR ASSEMBLY Basic, 5.44 1.60 COLD FUSION WHITE		1	
1	1600	8M0159705	GEAR HOUSING ASSEMBLY Basic, 5.44 1.60 GRAPHITE GREY		1	
1	1600	8M0159706	GEAR HOUSING ASSEMBLY Basic, 5.44 1.60 Cambered Skeg COLD FUSION WHITE		1	
1	1600	8M0159707	GEAR HOUSING ASSEMBLY Basic 5.44 1.60 Cambered Skeg GRAPHITE GREY		1	
1	1600	8M0159708	GEAR HOUSING ASSEMBLY Basic, (Counter Rotation) 5.44 1.60 Cambered Skeg COLD FUSION WHITE		1	

Gear Housing, Prop Shaft - Counter Rotation, 5.44 Torpedo 1.60

Gear Housing, Prop Shaft - Counter Rotation, 5.44 Torpedo 1.60

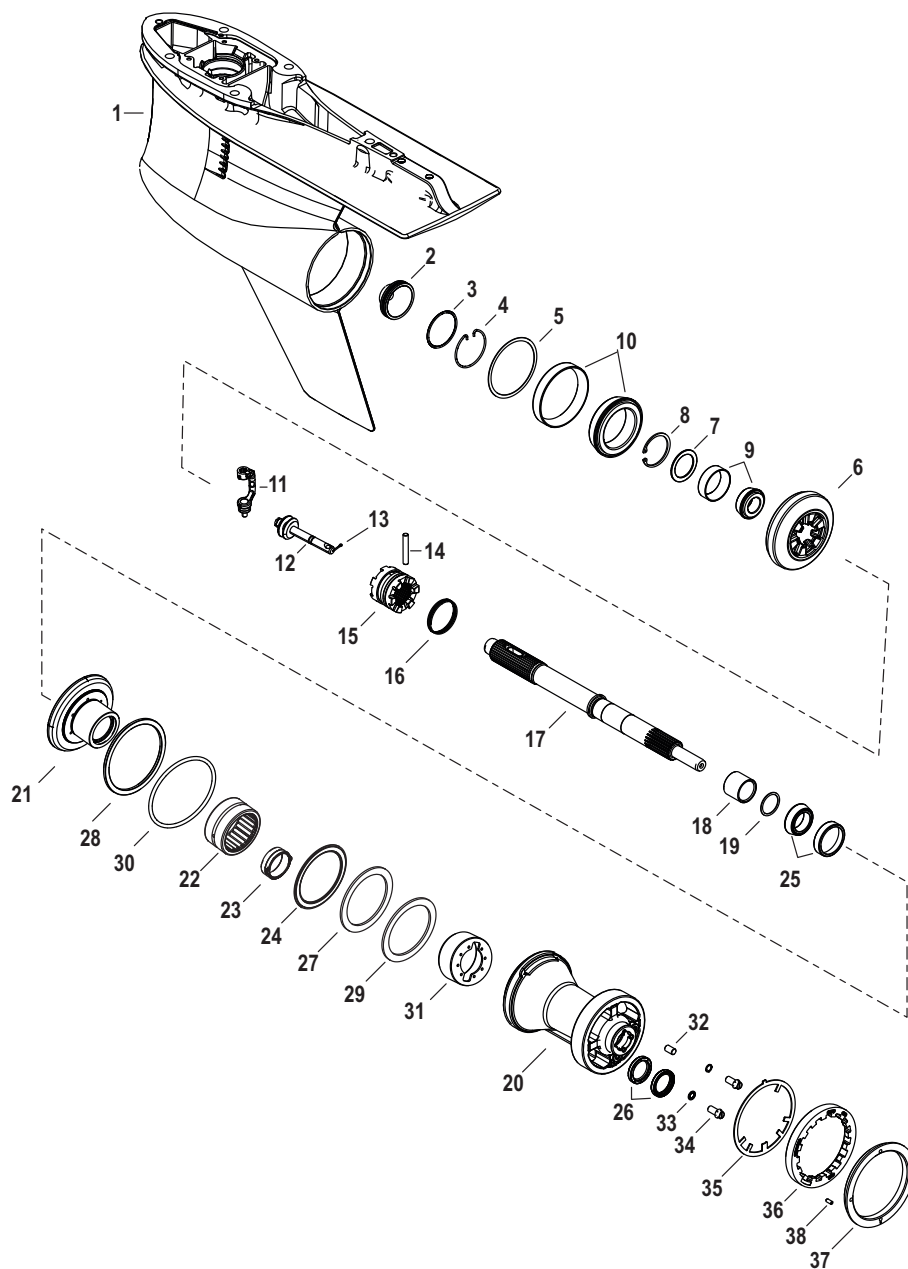


Gear Housing, Prop Shaft - Counter Rotation, 5.44 Torpedo 1.60

Ref #	Part Class	Part Number	Description	Comments	Qty	Note
1	1600	8M0159709	GEAR HOUSING ASSEMBLY Basic, (Counter Rotation) 5.44 1.60 Cambered Skeg GRAPHITE GREY		1	
2	0019	8M0157111	PLUG Torpedo		1	
3	0053	8M0046563	RETAINING RING		1	
4	0053	880719	RING Retaining		1	
5	0015	8M0063270	SHIM SET		1	
6	0043	8M0158926	GEAR SET 1.60 Rev/Fwd/Pinion		1	
7	0012	8M0053823	THRUST WASHER		1	
8	0053	8M0051043	RETAINING RING		1	
9	0031	8M0142835	BEARING Roller Tapered		1	
10	0031	8M0142836	BEARING Roller Tapered		1	
11	0000	8M0046215	CRANK, Shifter 1/4 Pivot Pin		1	
12	0000	8M0142857	SPOOL		1	
13	0018	469501	COTTER PIN		1	
14	0017	8M0045493	PIN		1	
15	0052	8M0142871	CLUTCH Sliding 6 Jaw		1	
16	0024	8M0050575	SPRING		1	
17	0044	8M0142877	SHAFT PROPELLER		1	
18	0023	8M0064306	SPACER		1	
19	0015	8M0076745	SHIM SET		1	
19	0012	8M0050423	WASHER .020		AR	
19	0012	8M0050424	WASHER .022		AR	
19	0012	8M0050425	WASHER .024		AR	
19	0012	8M0050427	WASHER .026		AR	
19	0012	8M0050428	WASHER .028		AR	
19	0012	8M0050429	WASHER .030		AR	
19	0012	8M0050430	WASHER .032		AR	
19	0012	8M0050431	WASHER .034		AR	
19	0012	8M0050432	WASHER .036		AR	
19	0012	8M0050433	WASHER .038		AR	
19	0012	8M0050434	WASHER .040		AR	
19	0012	8M0050435	WASHER .042		AR	
19	0012	8M0050436	WASHER .044		AR	
19	0012	8M0050437	WASHER .046		AR	
19	0012	8M0050438	WASHER .048		AR	
19	0012	8M0050439	WASHER .050		AR	
20	0000	8M0161449	BEARING CARRIER ASSEMBLY		1	
21	0043	8M0158926	GEAR SET 1.60 Rev/Fwd/Pinion		1	
22	0031	8M0050704	BEARING Needle		1	
23	0000	8M0053183	ADAPTER		1	
24	0012	8M0046569	RING Thrust		1	
25	0031	8M0148319	BEARING Cup/Cone		1	
26	0026	888483	SEAL Oil		2	
27	0025	8M0000190	O-RING (4.475 x .210)		1	
28	0031	8M0050692	BEARING		1	

Gear Housing, Prop Shaft - Counter Rotation, 5.44 Torpedo 1.60

Gear Housing, Prop Shaft - Counter Rotation, 5.44 Torpedo 1.60



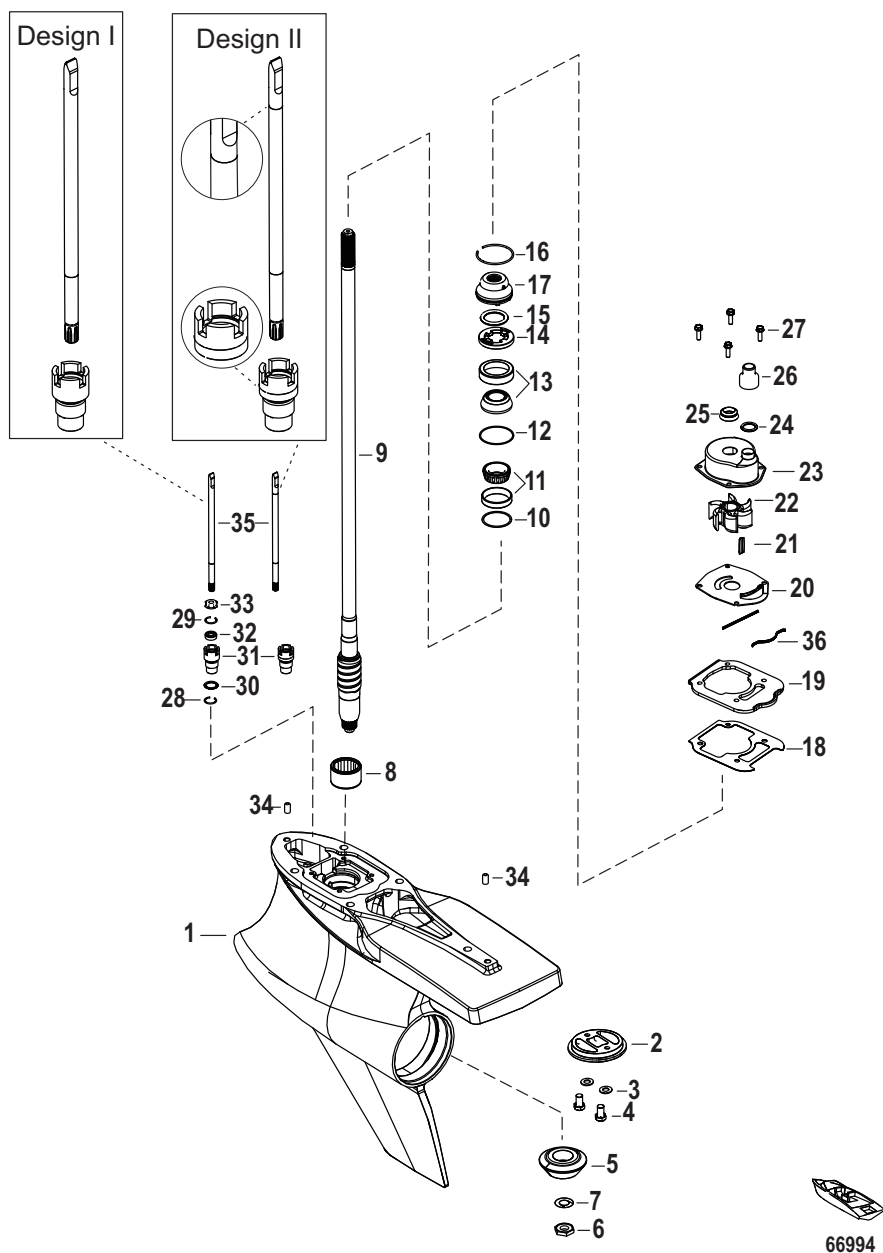
Gear Housing, Prop Shaft - Counter Rotation, 5.44 Torpedo 1.60

Ref #	Part Class	Part Number	Description	Comments	Qty	Note
29	0015	8M0053116	SHIM SET		1	
30	0012	8M0050688	WASHER		1	
31		8M0165801	BEARING Adaptor		1	
32	0017	8M0109164	PIN		1	
33	0026	830749	SEAL		2	[1]
34	0010	8M0071653	SCREW Special		2	
35	0014	8M0108527	WASHER Tab		1	[1]
36	0000	8M0162798	RETAINER Bearing Carrier		1	
37	0000	8M0050821	COVER KIT Flush, Standard		1	
38	0010	8M0036819	SET SCREW (10-32)		1	
-	0026	8M0166531	GEARCASE SEAL KIT		1	

PART NOTES:

- [1] - Component of Driveshaft Kit 5.44 8M0161433
- Component of Driveshaft Kit 5.44 8M0146066
- Component of Driveshaft Kit 5.44 8M0146067
- Component of Driveshaft Kit 5.44 8M0168205
- Component of Driveshaft Kit 5.44 8M0168208
- Component of Driveshaft Kit 5.44 8M0168210

Gear Housing, Driveshaft, Sport Master 1.60

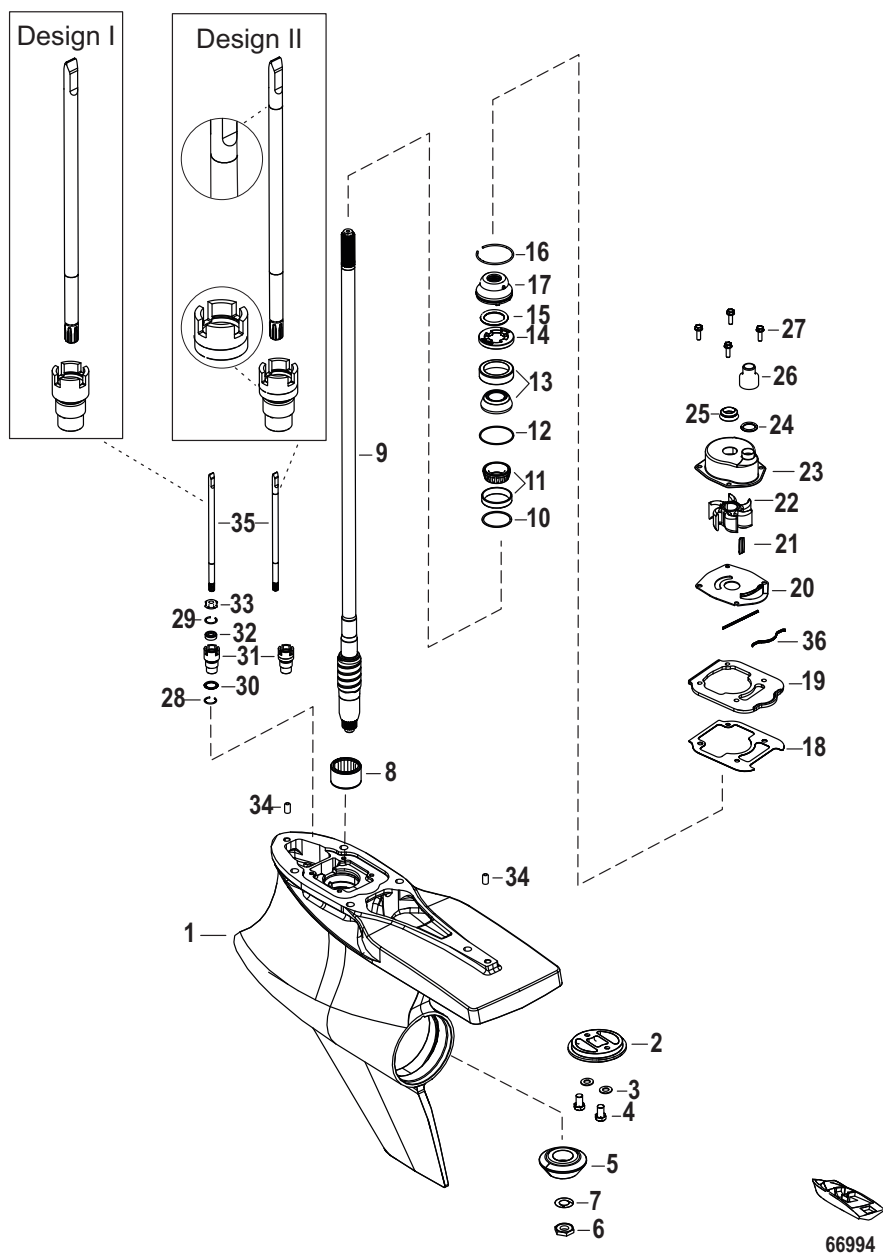


Gear Housing, Driveshaft, Sport Master 1.60

Ref #	Part Class	Part Number	Description	Comments	Qty	Note
-	1600	8M0159661	GEAR HOUSING ASSEMBLY Complete, SportMaster Standard Long 1.60 Graphite Gray		1	
-	1600	8M0159662	GEAR HOUSING ASSEMBLY Complete, SportMaster Counter Rotation Long 1.60 Graphite Gray		1	
-	1600	8M0159663	GEAR HOUSING ASSEMBLY Complete, SportMaster Standard Rotation X-Long 1.60 Graphite Gray		1	
-	1600	8M0159664	GEAR HOUSING ASSEMBLY Complete, SportMaster Counter Rotation X-Long 1.60 Graphite Gray		1	
-	1600	8M0159665	GEAR HOUSING ASSEMBLY Complete, SportMaster Standard Rotation XX-Long 1.60 Graphite Gray		1	
-	1600	8M0159666	GEAR HOUSING ASSEMBLY Complete, SportMaster Counter Rotation XX-Long 1.60 Graphite Gray		1	
-	1600	8M0159667	GEAR HOUSING ASSEMBLY Complete SportMaster Standard Long Cambered Skeg 1.60 Graphite Gray		1	
-	1600	8M0159668	GEAR HOUSING ASSEMBLY Complete SportMaster Standard Rotation X-Long Cambered Skeg Graphite Gray		1	
-	1600	8M0159669	GEAR HOUSING ASSEMBLY Complete SportMaster Standard Rotation XX-Long Cambered Skeg Graphite Gray		1	
-	1600	8M0159670	GEAR HOUSING ASSEMBLY Complete SportMaster Counter Rotation Long Cambered Skeg 1.60 Graphite Gray		1	
-	1600	8M0159671	GEAR HOUSING ASSEMBLY Complete SportMaster Counter Rotation X-Long Cambered Skeg 1.60 Graphite Gray		1	
-	1600	8M0159672	GEAR HOUSING ASSEMBLY Complete SportMaster Counter Rotation XX-Long Cambered Skeg 1.60 Graphite Gray		1	
-	1600	8M0159685	GEAR HOUSING ASSEMBLY Complete SportMaster Long 1.60 Cold Fusion White		1	
-	1600	8M0159687	GEAR HOUSING ASSEMBLY Completely SportMaster Counter Rotation Long 1.60 Cold Fusion White		1	
-	1600	8M0159689	GEAR HOUSING ASSEMBLY Complete SportMaster Standard Rotation X-Long 1.60 Cold Fusion White		1	
-	1600	8M0159691	GEAR HOUSING ASSEMBLY Complete SportMaster Counter Rotation X-Long 1.60 Cold Fusion White		1	

Gear Housing, Driveshaft, Sport Master 1.60

Gear Housing, Driveshaft, Sport Master 1.60

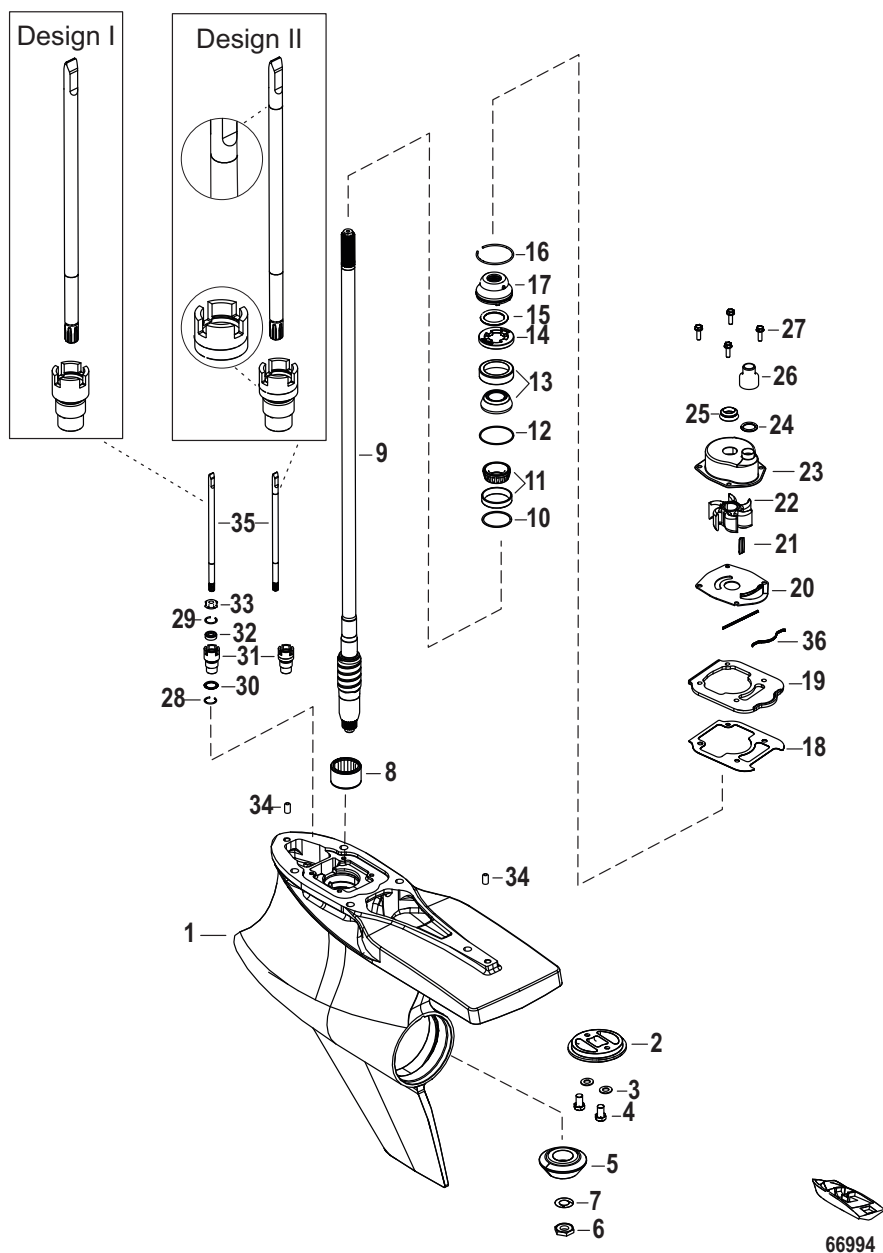


Gear Housing, Driveshaft, Sport Master 1.60

Ref #	Part Class	Part Number	Description	Comments	Qty	Note
-	1600	8M0159693	GEAR HOUSING ASSEMBLY Complete SportMaster Standard Rotation XX-Long 1.60 Cold Fusion White		1	
-	1600	8M0159694	GEAR HOUSING ASSEMBLY Complete SportMaster Counter Rotation XX-Long 1.60 Cold Fusion White		1	
-	1600	8M0159696	GEAR HOUSING ASSEMBLY Complete SportMaster Standard Rotation Long Cambered Skeg 1.60 Cold Fusion White		1	
-	1600	8M0159697	GEAR HOUSING ASSEMBLY Complete SportMaster Standard Rotation X-Long Cambered Skeg 1.60 Cold Fusion White		1	
-	1600	8M0159700	GEAR HOUSING ASSEMBLY Complete SportMaster Counter Rotation Long Cambered Skeg 1.60 Cold Fusion White		1	
-	1600	8M0159701	GEAR HOUSING ASSEMBLY Complete SportMaster Counter Rotation X-Long Cambered Skeg 1.60 Cold Fusion White		1	
-	1600	8M0159699	GEAR HOUSING ASSEMBLY Complete SportMaster Standard Rotation XX-Long Cambered Skeg 1.60 Cold Fusion White		1	
-	1600	8M0159703	GEAR HOUSING ASSEMBLY Complete SportMaster Counter Rotation XX-Long Cambered Skeg 1.60 Cold Fusion White		1	
1	1600	8M0159710	GEAR HOUSING ASSEMBLY Basic SportMaster Cold Fusion White		1	
1	1600	8M0159711	GEAR HOUSING ASSEMBLY Basic SportMaster Graphite Gray		1	
1	1600	8M0159712	GEAR HOUSING ASSEMBLY Basic SportMaster Cold Fusion White Cambered Skeg		1	
1	1600	8M0159713	GEAR HOUSING ASSEMBLY Basic, SportMaster Cambered Skeg Graphite Grey		1	
1	1600	8M0159714	GEAR HOUSING ASSEMBLY Basic SportMaster Counter Rotation Cambered Skeg Cold Fusion White		1	
1	1600	8M0159715	GEAR HOUSING ASSEMBLY Basic SportMaster Counter Rotation Cambered Skeg Graphite Grey		1	
2	0000	847635001	ANODE		1	
3	0010	8M0036047	SCREW (.375 x .62)		2	
4	0012	841388	WASHER (.410 x .810 x .050) Stainless Steel		2	
5		NSS	NOT SOLD SEPARATE	GEAR SET	1	
6	0011	8M0046636	NUT		1	
7	0012	8M0062703	WASHER		1	
8	0031	8M0045676	BEARING Roller		1	

Gear Housing, Driveshaft, Sport Master 1.60

Gear Housing, Driveshaft, Sport Master 1.60

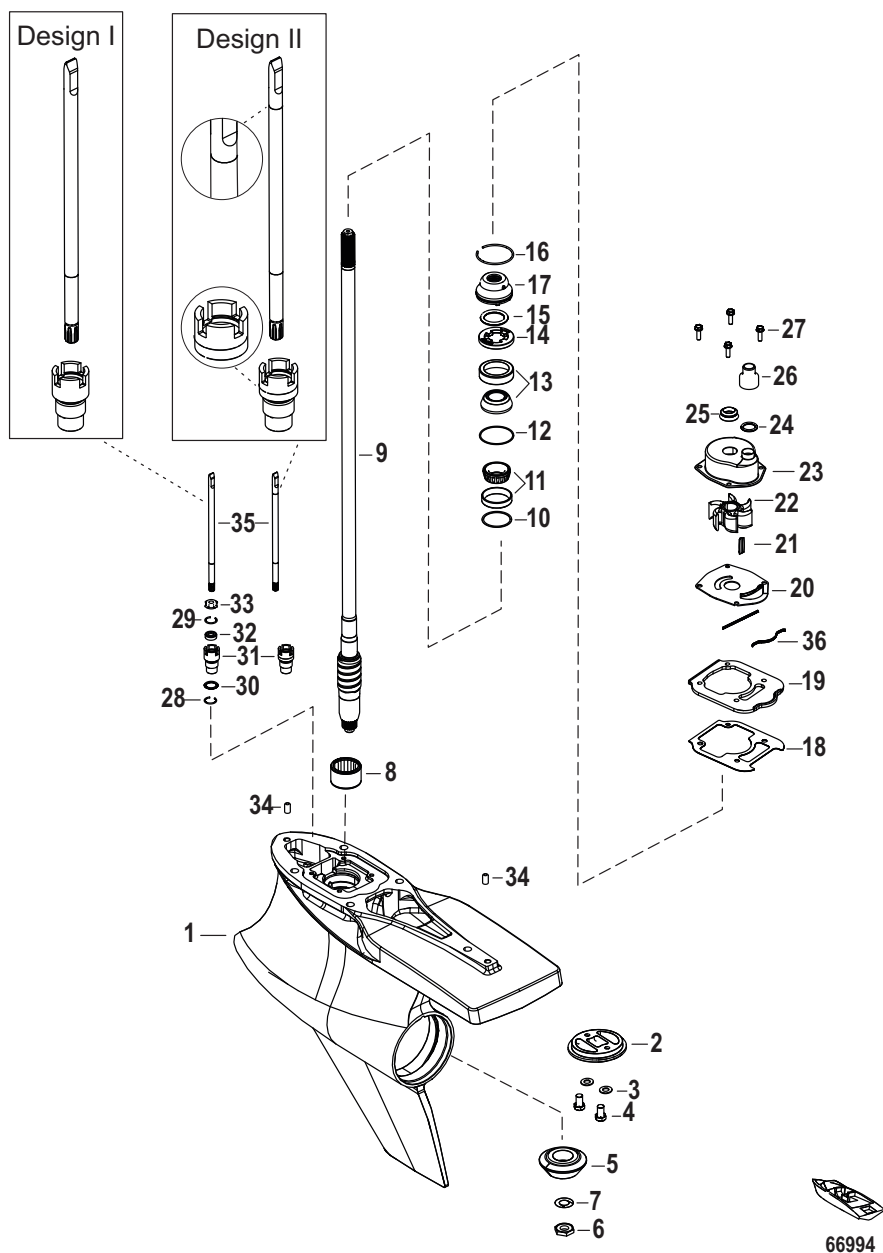


66994

Gear Housing, Driveshaft, Sport Master 1.60

Ref #	Part Class	Part Number	Description	Comments	Qty	Note
9	0045	8M0149608	DRIVESHAFT ASSEMBLY Long		1	
9	0045	8M0141337	DRIVESHAFT ASSEMBLY X-Long		1	
9	0045	8M0141338	DRIVESHAFT ASSEMBLY XX-Long		1	
10	0015	8M0063268	SHIM SET		1	
11	0031	8M0146553	BEARING ASSEMBLY Cup/Cone		1	
12	0015	8M0063267	SHIM SET		1	
13	0031	8M0146566	BEARING ASSEMBLY Cup/Cone		1	
14	0000	8245191	RETAINER		1	
15	0025	8M0142854	O RING (2.175 x .103)		1	
16	0053	880719	RING Retaining		1	
17		NSS	NOT SOLD SEPARATE	OIL SEAL CARRIER ASSY	1	
18	0027	8M0146938	GASKET Water Pump Base		1	
19	0000	8M0142869	COVER HOUSING Gearcase		1	
20	0000	8M0161897	FACEPLATE GASKET		1	
21	0028	8M0032833	KEY		1	
22	0047	43026Q02	IMPELLER		1	[1]
23	0000	817275A1	HOUSING KIT Water Pump		1	
24	0025	21836	O-RING (.796 x .139)		1	
25		NSS	NOT SOLD SEPARATE		1	
26		NSS	NOT SOLD SEPARATE	COUPLING WATER PUMP	1	
27	0010	1993720	SCREW (M6 x 20)		4	
28	0053	8M0142866	RING Retaining		1	
29	0053	8M0046563	RETAINING RING		1	
30	0025	8M0142860	O-RING		1	
31	0023	8M0142859	BUSHING Shift Shaft	Design I	1	
31	0023	8M0164967	BUSHING Shift Shaft	Design II	1	
32	0026	8164641	SEAL Oil		1	
33	0012	77674	WASHER		1	
34	0017	43044	PIN Dowel - Without Hole (.375 x .625)		2	
35	0000	8M0142858	SHIFT SHAFT Long	Design I	1	
35		8M0164968	SHIFT SHAFT Long Includes Bushing Design II	Design II	1	
35	0000	8M0142865	SHIFT SHAFT X-Long	Design I	1	
35	0000	8M0164969	SHIFT SHAFT X-Long Includes Bushing Design II	Design II	1	
35	0000	8M0142885	SHIFT SHAFT XX-Long	Design I	1	
35	0000	8M0164970	SHIFT SHAFT XX-Long Includes Bushing Design II	Design II	1	
36	0025	8M0142659	SEAL		2	
-	0047	8M0142980	IMPELLER REPAIR KIT		1	
-	0026	8M0166531	GEARCASE SEAL KIT		1	

Gear Housing, Driveshaft, Sport Master 1.60



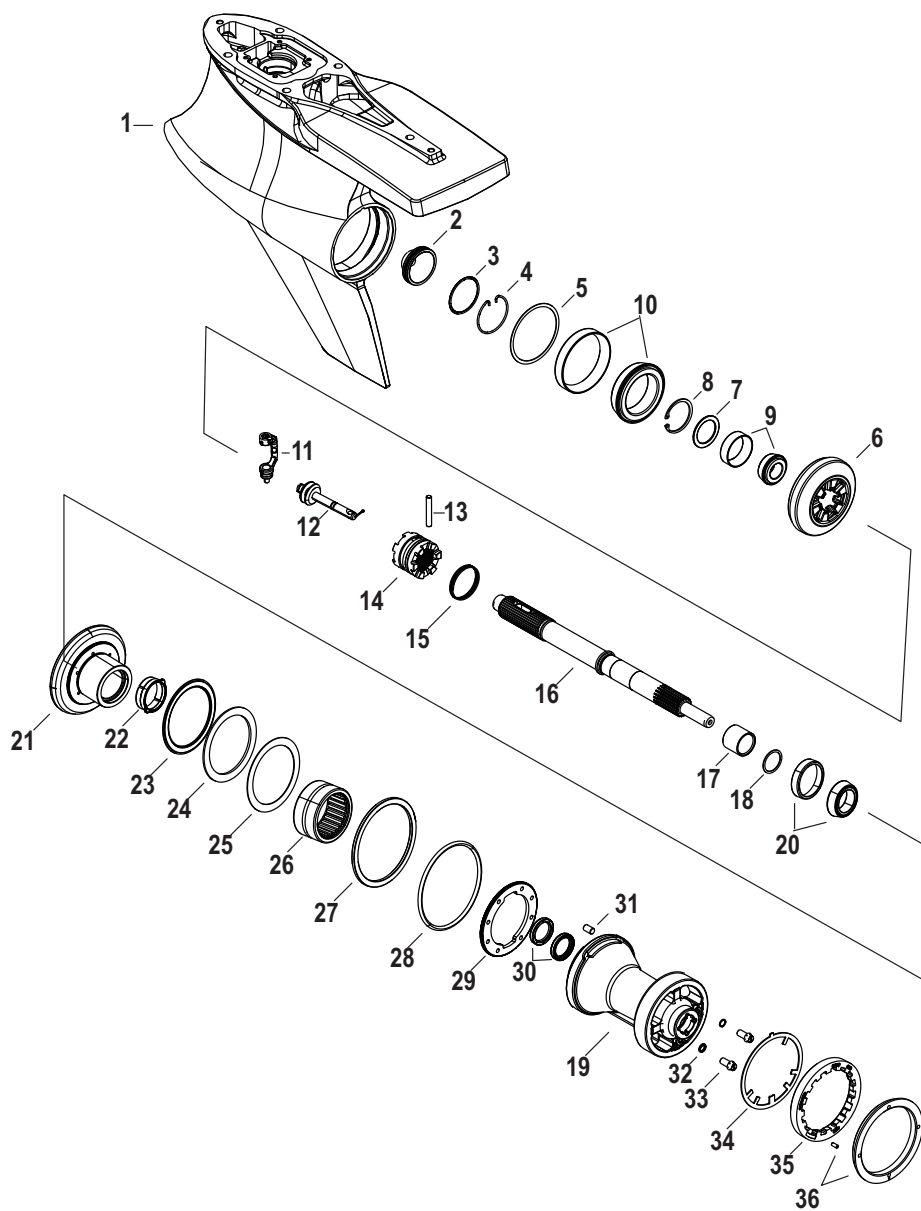
Cat.# 90-8M0155664

Gear Housing, Driveshaft, Sport Master 1.60

PART NOTES:

- [1] - Alternate part numbers:
43026Q02QS
43026T 2Service Part

Gear Housing, Prop Shaft-Standard Rotation, Sport Master, 1.60

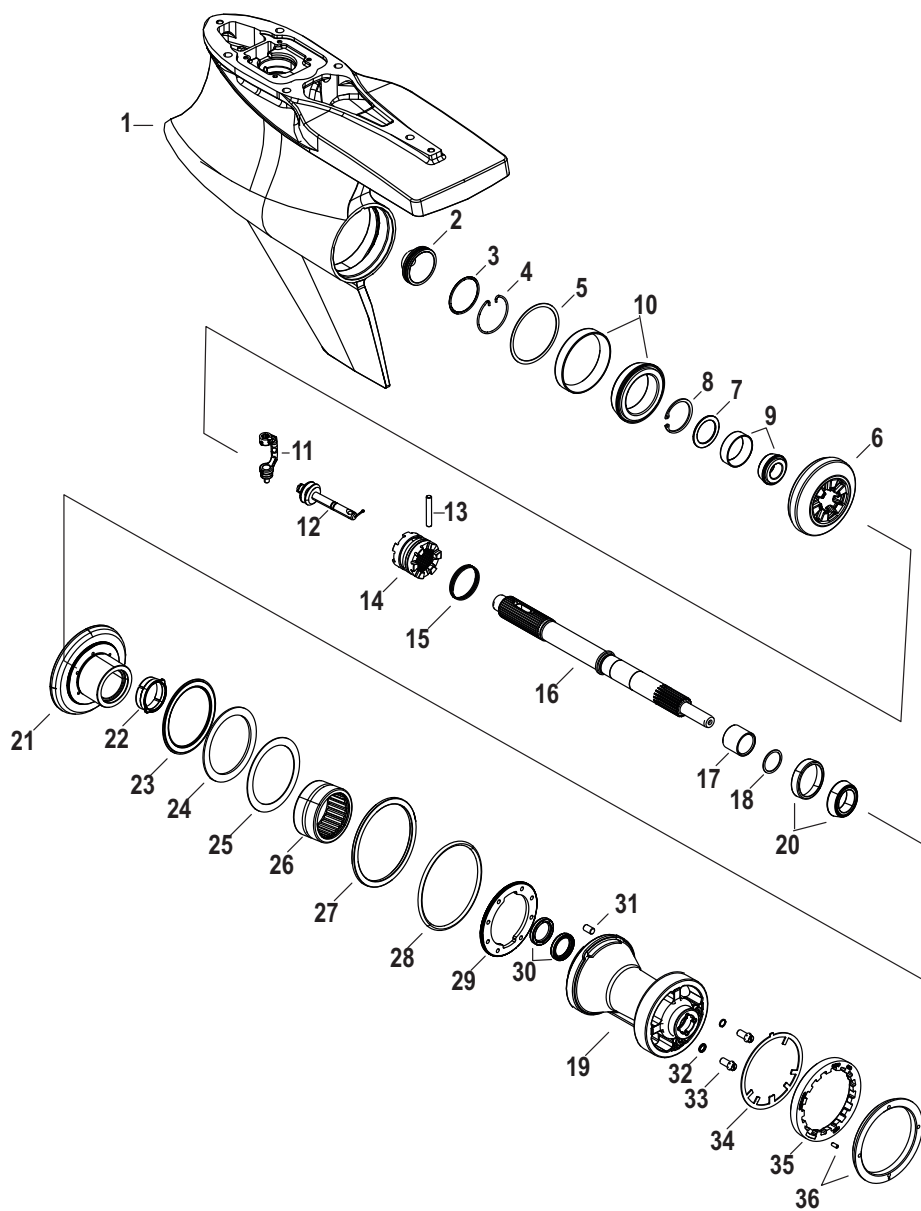


Gear Housing, Prop Shaft-Standard Rotation, Sport Master, 1.60

Ref #	Part Class	Part Number	Description	Comments	Qty	Note
-	1600	8M0159661	GEAR HOUSING ASSEMBLY Complete, SportMaster Standard Long 1.60 Graphite Gray		1	
-	1600	8M0159663	GEAR HOUSING ASSEMBLY Complete, SportMaster Standard Rotation X-Long 1.60 Graphite Gray		1	
-	1600	8M0159665	GEAR HOUSING ASSEMBLY Complete, SportMaster Standard Rotation XX-Long 1.60 Graphite Gray		1	
-	1600	8M0159667	GEAR HOUSING ASSEMBLY Complete SportMaster Standard Long Cambered Skeg 1.60 Graphite Gray		1	
-	1600	8M0159668	GEAR HOUSING ASSEMBLY Complete SportMaster Standard Rotation X-Long Cambered Skeg Graphite Gray		1	
-	1600	8M0159669	GEAR HOUSING ASSEMBLY Complete SportMaster Standard Rotation XX-Long Cambered Skeg Graphite Gray		1	
-	1600	8M0159685	GEAR HOUSING ASSEMBLY Complete SportMaster Long 1.60 Cold Fusion White		1	
-	1600	8M0159689	GEAR HOUSING ASSEMBLY Complete SportMaster Standard Rotation X-Long 1.60 Cold Fusion White		1	
-	1600	8M0159693	GEAR HOUSING ASSEMBLY Complete SportMaster Standard Rotation XX-Long 1.60 Cold Fusion White		1	
-	1600	8M0159696	GEAR HOUSING ASSEMBLY Complete SportMaster Standard Rotation Long Cambered Skeg 1.60 Cold Fusion White		1	
-	1600	8M0159697	GEAR HOUSING ASSEMBLY Complete SportMaster Standard Rotation X-Long Cambered Skeg 1.60 Cold Fusion White		1	
-	1600	8M0159699	GEAR HOUSING ASSEMBLY Complete SportMaster Standard Rotation XX-Long Cambered Skeg 1.60 Cold Fusion White		1	
1	1600	8M0159710	GEAR HOUSING ASSEMBLY Basic SportMaster Cold Fusion White		1	
1	1600	8M0159711	GEAR HOUSING ASSEMBLY Basic SportMaster Graphite Gray		1	
1	1600	8M0159712	GEAR HOUSING ASSEMBLY Basic SportMaster Cold Fusion White Cambered Skeg		1	
1	1600	8M0159713	GEAR HOUSING ASSEMBLY Basic, SportMaster Cambered Skeg Graphite Grey		1	
1	1600	8M0159714	GEAR HOUSING ASSEMBLY Basic SportMaster Counter Rotation Cambered Skeg Cold Fusion White		1	

Gear Housing, Prop Shaft-Standard Rotation, Sport Master, 1.60

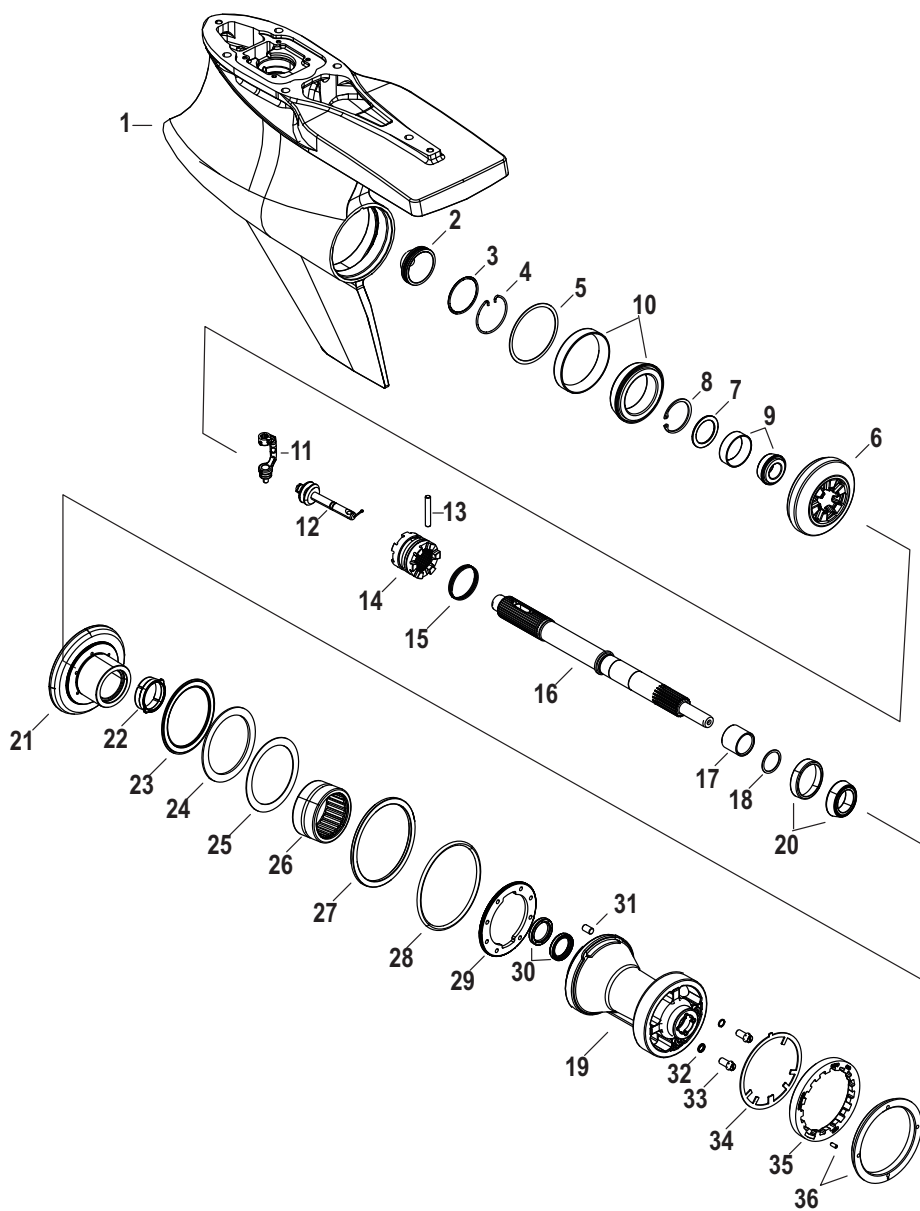
Gear Housing, Prop Shaft-Standard Rotation, Sport Master, 1.60



Gear Housing, Prop Shaft-Standard Rotation, Sport Master, 1.60

Ref #	Part Class	Part Number	Description	Comments	Qty	Note
1	1600	8M0159715	GEAR HOUSING ASSEMBLY Basic SportMaster Counter Rotation Cambered Skeg Graphite Grey		1	
2	0019	8M0157111	PLUG Torpedo		1	
3	0053	8M0046563	RETAINING RING		1	
4	0053	880719	RING Retaining		1	
5	0015	8M0063270	SHIM SET		1	
6		NSS	NOT SOLD SEPARATE	GEAR SET	1	
7	0012	8M0053823	THRUST WASHER		1	
8	0053	8M0051043	RETAINING RING		1	
9	0031	884325T01	BEARING ASSEMBLY Roller- Tapered		1	
10	0031	884323T01	BEARING ASSEMBLY Roller		1	
11	0000	8M0046215	CRANK, Shifter 1/4 Pivot Pin		1	
12	0000	8M0142857	SPOOL		1	
13	0017	8M0045493	PIN		1	
14	0052	8M0142871	CLUTCH Sliding 6 Jaw		1	
15	0024	8M0050575	SPRING		1	
16	0044	8M0156191	SHAFT Propeller		1	
17	0023	8M0064306	SPACER		1	
18	0012	8M0050434	WASHER .040		1	
19	0000	8M0167590	BEARING CARRIER RH 1.60		1	
20	0031	8M0148319	BEARING Cup/Cone		1	
21	0043	8M0053124	GEAR KIT		1	
22	0000	8M0053183	ADAPTER		1	
23	0031	8M0050692	BEARING		1	
24	0012	8M0050688	WASHER		1	
25	0015	8M0053116	SHIM SET		1	
26	0031	8M0050704	BEARING Needle		1	
27	0012	8M0046569	RING Thrust		1	
28	0025	8M0000190	O-RING (4.475 x .210)		1	
29	0053	8M0056639	RING Retainer		1	
30	0026	888483	SEAL Oil		2	
31	0017	8M0109164	PIN		1	
32	0026	830749	SEAL		2	
33	0010	8M0071653	SCREW Special		2	
34	0014	8M0108527	WASHER Tab		1	
35	0000	8M0111653	NUT Retainer		1	
36	0000	8M0050821	COVER KIT Flush, Standard		1	
-	0026	8M0166531	GEARCASE SEAL KIT		1	

Gear Housing, Prop Shaft-Counter Rotation, Sport Master 1.60

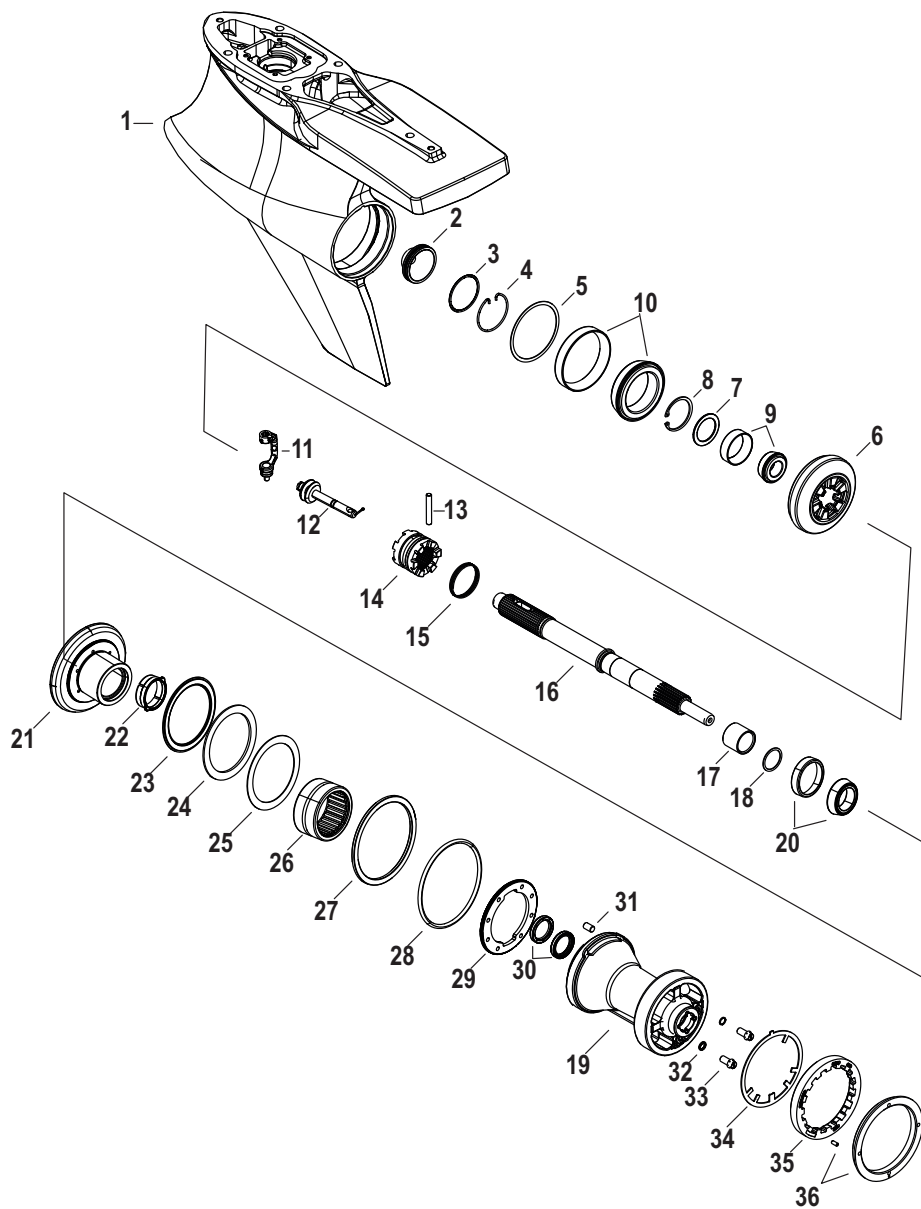


Gear Housing, Prop Shaft-Counter Rotation, Sport Master 1.60

Ref #	Part Class	Part Number	Description	Comments	Qty	Note
-	1600	8M0159662	GEAR HOUSING ASSEMBLY Complete, SportMaster Counter Rotation Long 1.60 Graphite Gray		1	
-	1600	8M0159664	GEAR HOUSING ASSEMBLY Complete, SportMaster Counter Rotation X-Long 1.60 Graphite Gray		1	
-	1600	8M0159666	GEAR HOUSING ASSEMBLY Complete, SportMaster Counter Rotation XX-Long 1.60 Graphite Gray		1	
-	1600	8M0159670	GEAR HOUSING ASSEMBLY Complete SportMaster Counter Rotation Long Cambered Skeg 1.60 Graphite Gray		1	
-	1600	8M0159671	GEAR HOUSING ASSEMBLY Complete SportMaster Counter Rotation X-Long Cambered Skeg 1.60 Graphite Gray		1	
-	1600	8M0159672	GEAR HOUSING ASSEMBLY Complete SportMaster Counter Rotation XX-Long Cambered Skeg 1.60 Graphite Gray		1	
-	1600	8M0159687	GEAR HOUSING ASSEMBLY Completely SportMaster Counter Rotation Long 1.60 Cold Fusion White		1	
-	1600	8M0159691	GEAR HOUSING ASSEMBLY Complete SportMaster Counter Rotation X-Long 1.60 Cold Fusion White		1	
-	1600	8M0159694	GEAR HOUSING ASSEMBLY Complete SportMaster Counter Rotation XX-Long 1.60 Cold Fusion White		1	
-	1600	8M0159700	GEAR HOUSING ASSEMBLY Complete SportMaster Counter Rotation Long Cambered Skeg 1.60 Cold Fusion White		1	
-	1600	8M0159701	GEAR HOUSING ASSEMBLY Complete SportMaster Counter Rotation X-Long Cambered Skeg 1.60 Cold Fusion White		1	
-	1600	8M0159703	GEAR HOUSING ASSEMBLY Complete SportMaster Counter Rotation XX-Long Cambered Skeg 1.60 Cold Fusion White		1	
1	1600	8M0159714	GEAR HOUSING ASSEMBLY Basic SportMaster Counter Rotation Cambered Skeg Cold Fusion White		1	
1	1600	8M0159715	GEAR HOUSING ASSEMBLY Basic SportMaster Counter Rotation Cambered Skeg Graphite Grey		1	
2	0019	8M0142853	PLUG Torpedo		1	
3	0025	8M0142854	O RING (2.175 x .103)		1	
4	0053	880719	RING Retaining		1	
5	0015	8M0063270	SHIM SET		1	
6	0043	8M0053121	GEAR KIT		1	

Gear Housing, Prop Shaft-Counter Rotation, Sport Master 1.60

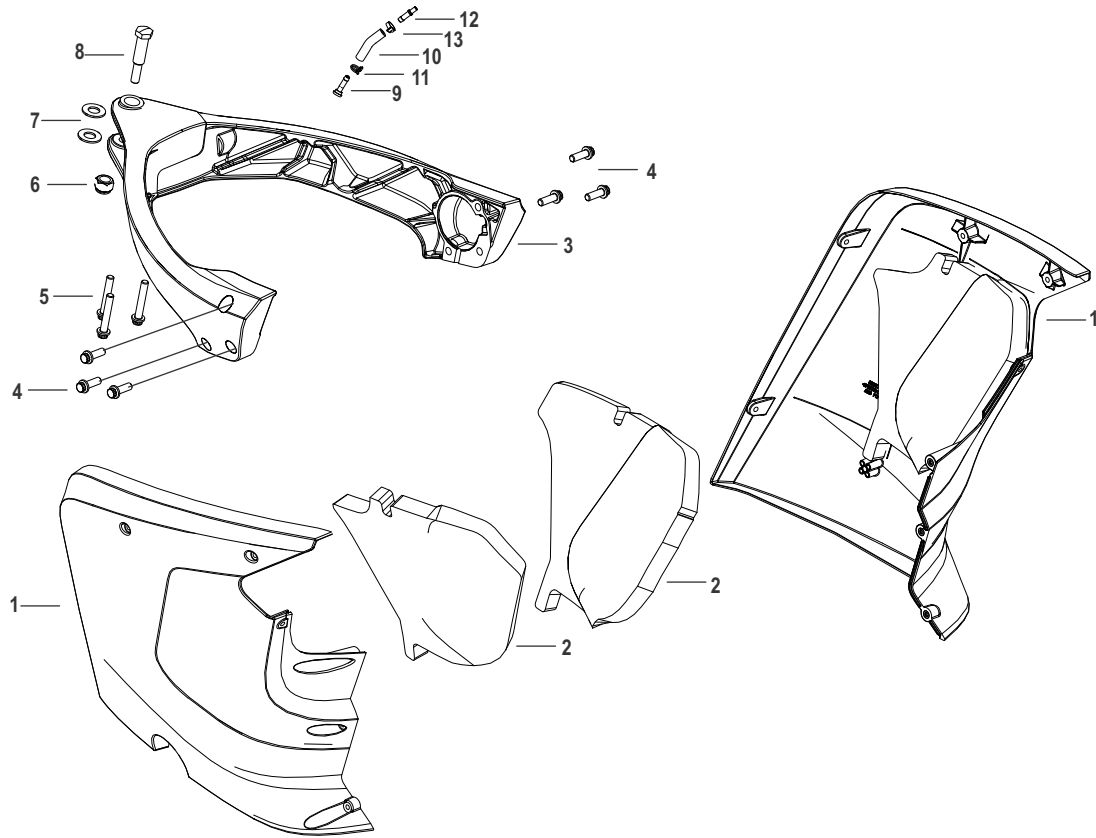
Gear Housing, Prop Shaft-Counter Rotation, Sport Master 1.60



Gear Housing, Prop Shaft-Counter Rotation, Sport Master 1.60

Ref #	Part Class	Part Number	Description	Comments	Qty	Note
7	0012	8M0053823	THRUST WASHER		1	
8	0053	8M0051043	RETAINING RING		1	
9	0031	884325T01	BEARING ASSEMBLY Roller-Tapered		1	
10	0031	884323T01	BEARING ASSEMBLY Roller		1	
11	0000	8M0046215	CRANK, Shifter 1/4 Pivot Pin		1	
12	0000	8M0142857	SPOOL		1	
13	0017	8M0045493	PIN		1	
14	0052	8M0142871	CLUTCH Sliding 6 Jaw		1	
15	0024	8M0050575	SPRING		1	
16	0044	8M0156191	SHAFT Propeller		1	
17	0023	8M0064306	SPACER		1	
18	0012	8M0050434	WASHER .040		1	
19	0000	8M0167591	BEARING CARRIER LH 1.60		1	
20	0031	8M0148319	BEARING Cup/Cone		1	
21	0043	8M0053120	GEAR SET 12/21 (1.75:1)		1	
22	0000	8M0053183	ADAPTER		1	
23	0031	8M0050692	BEARING		1	
24	0012	8M0050688	WASHER		1	
25	0015	8M0053116	SHIM SET		1	
26	0031	8M0050704	BEARING Needle		1	
27	0012	8M0046569	RING Thrust		1	
28	0025	8M0000190	O-RING (4.475 x .210)		1	
29	0053	8M0056639	RING Retainer		1	
30	0026	888483	SEAL Oil		2	
31	0017	8M0109164	PIN		1	
32	0026	830749	SEAL		2	
33	0010	8M0071653	SCREW Special		2	
34	0014	8M0108527	WASHER Tab		1	
35	0000	8M0111653	NUT Retainer		1	
36	0000	8M0050821	COVER KIT Flush, Standard		1	
-	0026	8M0166531	GEARCASE SEAL KIT		1	

Tie Bar

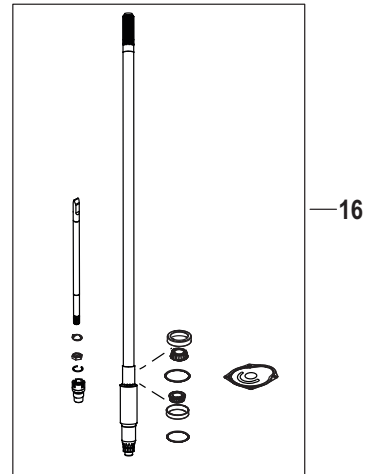
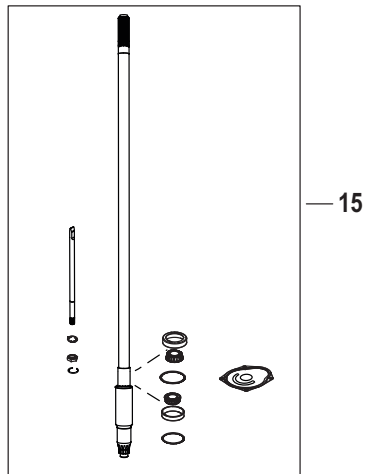
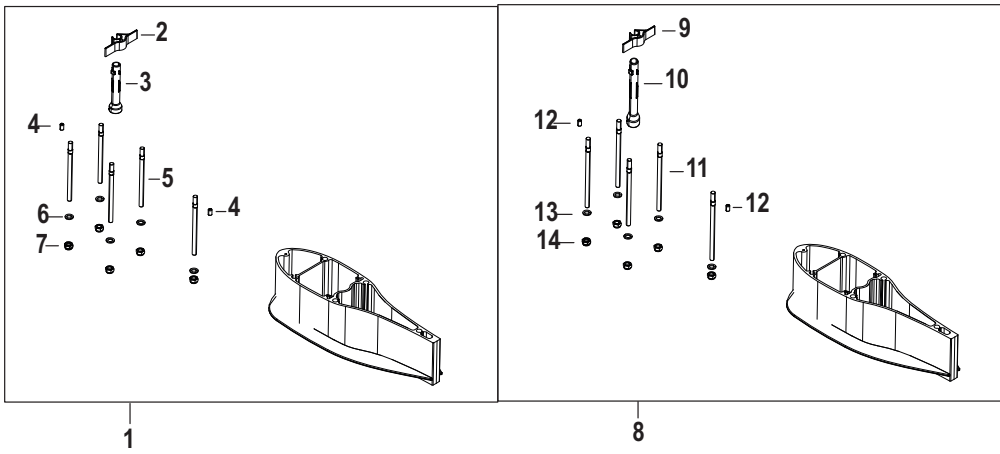


70080

Tie Bar

Ref #	Part Class	Part Number	Description	Comments	Qty	Note
1		8M0164950	COVER CRADLE ASSEMBLY Black, Tie Bar		1	
1	0100	8M0161421	COVER CRADLE ASSEMBLY Cold Fusion Tie Bar		1	
1	0100	8M0161420	COVER CRADLE ASSEMBLY Graphite Grey Tie Bar		1	
2		8M0164954	SOUND BLANKET Port/Starboard		1	
3	0000	8M0161446	TIEBAR ASSEMBLY Cold Fusion		1	
3	0000	8M0161447	TIEBAR ASSEMBLY Graphite Grey		1	
4	0010	8M0161437	SCREW (M10x1.5x30)		6	
5	0010	8M0161438	SCREW (M10x1.5x60)		3	
6	0011	47379	NUT (.625-18) Stainless Steel		1	
7	0010	8M0161439	BOLT		1	
8	0012	844850	WASHER (.660 x 1.310 x .09) Stainless Steel		2	
9	0022	895797001	FITTING		1	
10	0000	8M0161443	TUBING		1	
11	0054	895851	CLAMP (8.00 Inches)		1	
12	0022	8M0161441	FITTING BARB		1	
13	0054	816311T	TIE STRAP (8.00 Inches)		1	

Driveshaft Extension Kits



67125

Driveshaft Extension Kits

Ref #	Part Class	Part Number	Description	Comments	Qty	Note
1	0000	8M0161444	SPACER ASSEMBLY 5 IN Silver		1	
1	0000	8M0161445	SPACER ASSEMBLY 5 IN Cold Fusion		1	
2	0000	8M0042271	GUIDE Water Tube		1	
3	0000	8M0161448	WATER TUBE		1	
4	0017	8M0084244	PIN Dowel		2	
5	0016	8M0008047	STUD (M12 x 179)		5	
6	0012	856982	WASHER (.500 x .810 x .090) Stainless Steel		5	
7	0011	897926	NUT (M12), Nylon Insert		5	
8	0000	8M0161898	SPACER ASSEMBLY 10 IN, Grey		1	
8	0000	8M0161899	SPACER ASSEMBLY 10 IN, White		1	
9	0000	8M0042271	GUIDE Water Tube		2	
10	0000	8M0161448	WATER TUBE		2	
11	0016	8M0142788	STUD (M12 x 306)		5	
12	0017	8M0084244	PIN Dowel		2	
13	0012	856982	WASHER (.500 x .810 x .090) Stainless Steel		5	
14	0011	897926	NUT (M12), Nylon Insert		5	
15	0045	8M0161433	DRIVESHAFT KIT Long	5.44	1	
15	0045	8M0146066	DRIVESHAFT KIT X-Long	5.44	1	
15	0045	8M0146067	DRIVESHAFT KIT XX-Long	5.44	1	
16	0045	8M0168205	DRIVESHAFT KIT Long	5.44	1	
16	0045	8M0168208	DRIVESHAFT KIT X-Long	5.44	1	
16	0045	8M0168210	DRIVESHAFT KIT XX-Long	5.44	1	

Accessories

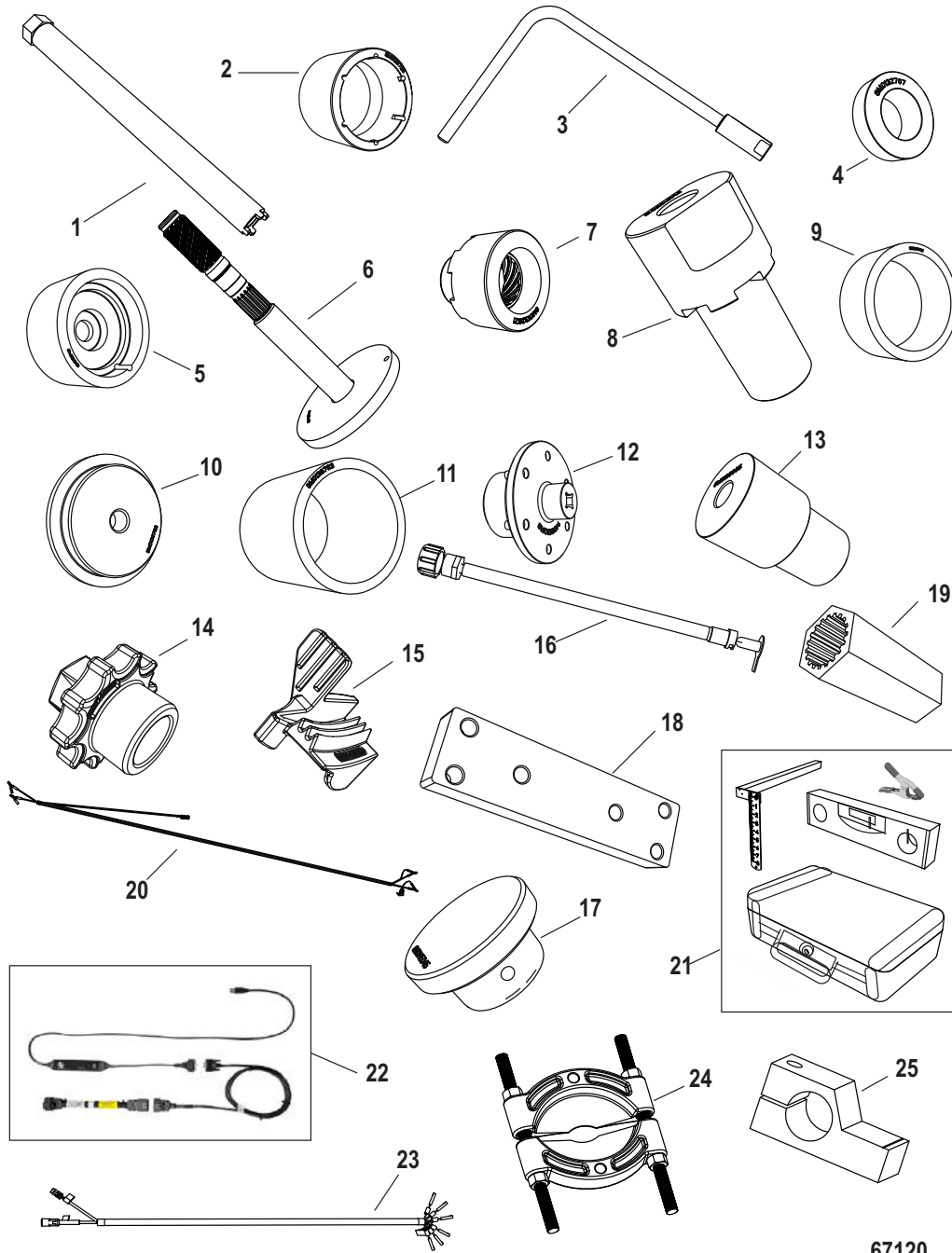
Ref #	Part Class	Part Number	Description	Comments	Qty	Note
-	0000	893395A01	PLATE Flush Mount		1	
-	0000	892486K08	CONVERSION KIT Analog		1	
-	0084	899785K04	HARNESS ASSEMBLY Accessory Power (30 Feet)		1	
-	0010	880717A01	SCREW/SEAL KIT Gearcase		1	
-	0084	88439A50	CABLE SET Battery		1	
-	0084	8M0133542	CABLE KIT (12 ft) Battery		1	
-	0000	44357Q2	FLUSHING ATTACHMENT	(Quicksilver)	1	[1]
-	0000	44357T2	FLUSHING ATTACHMENT	(Mercury Precision Parts)	1	[1]
-	0000	881150Q1	FLUSH KIT Dual Water Pick Up	(Quicksilver)	1	[2]
-	0000	881150K1	SEAL KIT Flush - Dual Water Pickup	(Mercury Precision Parts)	1	[2]
-	0000	899712A01	CABLE KIT Continuity		1	
-	0000	8M0141907	CABLE KIT - THROTTLE AND SHIFT GEN II		1	
-	0000	8M0131810	MP ALERT COWL KIT (Chrome Bezel)		1	
-	0000	8M0072341	BEZEL MP Alert - Oval (Chrome)		1	
-	0000	8M0143359	SOUND CONTROL KIT Advanced	AMS Only	1	
-	0000	8M0142265	SENSOR Oil Level		1	
-	0084	8M0145987	HARNESS KIT Re-power Plan		1	
-	0071	8M0142696	SENSOR Pressure		1	
-	0025	8M0146955	GROMMET Large Hole, DTS		1	
-	0032	825191A03	HOSE KIT Rigging		1	
-	0098	8M0150504	FUEL FILTER KIT Boat Mounted		1	
-	0035	8M0126144	FUEL FILTER		1	
-	0084	8M0113732	HARNESS ASSEMBLY DTS, Clean Power, 14 Feet		1	
-	0084	889244T01	HARNESS ASSEMBLY DTS Clean Power (25 Feet)		1	
-	0084	8M0127682	POWER HARNESS ASSEMBLY Helm (15 feet)		1	
-	0084	8M0127681	POWER HARNESS ASSEMBLY Helm (10 feet)		1	
-	0084	896333T25	HARNESS ASSEMBLY (25 Feet)		1	
-	0067	896305001	BRACKET		1	
-	0067	896392	WASHER		1	
-	0010	67755A22	BOLT KIT Transom (2.50 Inch)		1	
-	0010	67755A26	BOLT KIT Transom (3.50 Inch)		1	
-	0000	67755A13	BOLT KIT Transom (4.50 Inch)		1	
-	0010	67755A14	BOLT KIT Transom (5.50 Inch)		1	
-	0010	67755A15	BOLT KIT Transom (6.50 Inch)		1	
-	0010	67755A17	BOLT KIT Transom (7.50 Inch)		1	
-	0010	67755A18	BOLT KIT Transom (8.00 Inches)		1	
-	0010	8M0149614	BOLT KIT Transom (8.00 Inches)	Two Bolts	1	
-	0011	8M0109756	DOUBLE NUT KIT Transom Bolt		1	
-	0012	28421	WASHER (1.5 x 3.05 x 0.13) Stainless Steel		1	
-	0012	895062	WASHER		1	

Accessories

Ref #	Part Class	Part Number	Description	Comments	Qty	Note
-	0011	82671117	NUT (.500-20)		1	
-	0079	8M0097226	TACHOMETER KIT Helm Mount		1	
-	0022	8M0150994	FITTING CONNECTOR KIT		1	

PART NOTES:

- [1] - Alternate part numbers:
44357A 2Service Part
44357Q 2QS
44357T 2MPP
- [2] - Alternate part numbers:
881150K 1MPP
881150Q 1QS



67120

Tools

Ref #	Part Class	Part Number	Description	Comments	Qty	Note
1	0091	8M0142969	SHIFT SHAFT TOOL		1	
2	0091	8M0142970	ALIGNMENT TOOL Preload Driver		1	
3	0091	8M0142973	SHIFT SHAFT HANDLE TOOL		1	
4	0091	8M0142974	RETAINER PRESS FIXTURE		1	
5	0091	8M0142976	TOOL Press Fixture Base		1	
6	0091	8M0142983	SHAFT TOOL Bearing Carrier Assembly		1	
7	0091	8M0145393	TOOL Threaded Clutch Assembly		1	
8	0091	8M0142559	HOLDING FIXTURE Gear Assembly		1	
9	0091	8M0142615	MANDREL Press Spacer		1	
10	0091	8M0142624	GUIDE PLATE Bearing Carrier		1	
11	0091	8M0142413	MANDREL Rear Gear Bearing Cone		1	
12	0091	8M0142414	TOOL Gear Assembly Driver		1	
13	0091	8M0142636	BEARING MANDREL		1	
14	0091	8M0146861	TOOL Flywheel		1	
15	0091	8M0146862	TOOL Stretch Belt		1	
16	0032	8M0129230	HOSE Oil Drain		1	
17	0091	8M0146935	INSTALLATION TOOL Bearing Spool		1	
18	0091	8M0146936	BAR MOUNT PULLER Upper		1	
19	0091	8M0147118	TOOL Propshaft		1	
20	0091	8M0147078	INSTALLATION TOOL Trim Harness		1	
21	0091	8M0130705	GEARCASE HEIGHT TOOL KIT		1	
22	0091	8M0153916	DIAGNOSTIC TOOL KIT CDS G3		1	
23	0091	8M0150597	TOOL-SHIFT ACTUATOR Test TEE Harness		1	
24	0091	8M0160428	PULLER PLATE		1	
25	0091	8M0156950	TOOL Backlash Indicator 1.60 Ratio Gearcase		1	
NS	0091	883705T01	STRAP TOOL Engine Lifting		1	
NS	0091	98234A2	DRILL FIXTURE KIT Transom		1	
NS	0091	8M0147671	TOOL ALIGNMENT PIN UPPER MOUNT		1	
NS	0091	8M0145607	TOOL Bar Puller		1	
NS	0091	8M0147116	TOOL GUIDE SEAL DRIVER		1	
NS	0091	8M0149553	TOOL Upper Mount Rod Installation		1	
NS	0091	8M0148868	WRENCH AMS Mount		1	
NS	0091	8M0148865	TOOL Install Gear		1	

Tools

PARTS INDEX

Part No.	Description	Pg.	Ref.no	Part No.	Description	Pg.	Ref.no
16739	CONNECTOR	34	39	1993720	SCREW (M6 x 20)	74	29
1993720	SCREW (M6 x 20)	94	27	201951	O-RING (.487 x .103)	56	33
21836	O-RING (.796 x .139)	74	26	21836	O-RING (.796 x .139)	94	24
26317	O-RING	38	19	28421	WASHER (1.5 x 3.05 x 0.13) Stainless Steel	62	35
28421	WASHER (1.5 x 3.05 x 0.13) Stainless Steel	64	43	28421	WASHER (1.5 x 3.05 x 0.13) Stainless Steel	110	-
29845	O-RING (.924 x .103)	38	25	35480	O-RING (1.237 x .103)	38	2
40011106	SCREW (M5 x 13) Stainless Steel	18	19	40011106	SCREW (M5 x 13) Stainless Steel	42	23
40011107	SCREW (M5 x 16) Stainless Steel	34	5	40011107	SCREW (M5 x 16) Stainless Steel	60	38
400213	NUT (M8) Stainless Steel	34	40	4002320	WASHER	14	16
40056107	SCREW (M5 x 16)	18	23	40056107	SCREW (M5 x 16)	36	55
4008820	SCREW (M6 x 20)	26	25	4010720	SCREW (M8 x 20)	62	20
4010725	SCREW (M8 x 25)	60	7	4010735	SCREW (M8 x 35)	60	6
401386	NUT (M6) Stainless Steel	4	21	401386	NUT (M6) Stainless Steel	34	17
401388	NUT (M8) Stainless Steel	24	3	401388	NUT (M8) Stainless Steel	36	41
43026Q02	IMPELLER	94	22	43026T2	IMPELLER	74	23
43044	PIN Dowel - Without Hole (.375 x .625)	94	34	43430	WASHER	22	7
44357Q2	FLUSHING ATTACHMENT	110	-	44357T2	FLUSHING ATTACHMENT	110	-
469501	COTTER PIN	80	13	469501	COTTER PIN	86	13
47379	NUT (.625-18) Stainless Steel	106	6	47968	SPRING	60	17
54012	WASHER (.530 x .870 x .105) Stainless Steel	64	44	65567	WASHER (.265 x .750 x .048) Stainless Steel	16	4
65567	WASHER (.265 x .750 x .048) Stainless Steel	18	3	65567	WASHER (.265 x .750 x .048) Stainless Steel	28	2
67755A13	BOLT KIT Transom (4.50 Inch)	110	-	67755A14	BOLT KIT Transom (5.50 Inch)	110	-
67755A15	BOLT KIT Transom (6.50 Inch)	110	-	67755A17	BOLT KIT Transom (7.50 Inch)	110	-
67755A18	BOLT KIT Transom (8.00 Inches)	110	-	67755A22	BOLT KIT Transom (2.50 Inch)	110	-
67755A26	BOLT KIT Transom (3.50 Inch)	110	-	69355	TIE STRAP (5.50 Inches)	68	21
73194	PIN Roll (.125 x 1.12)	60	16	77674	WASHER	74	35
77674	WASHER	94	33	816311T	TIE STRAP (8.00 Inches)	14	20
816311T	TIE STRAP (8.00 Inches)	28	28	816311T	TIE STRAP (8.00 Inches)	34	14
816311T	TIE STRAP (8.00 Inches)	38	26	816311T	TIE STRAP (8.00 Inches)	56	14
816311T	TIE STRAP (8.00 Inches)	60	22	816311T	TIE STRAP (8.00 Inches)	68	5
816311T	TIE STRAP (8.00 Inches)	106	13	8164641	SEAL Oil	74	34
8164641	SEAL Oil	94	32	817275A1	HOUSING KIT Water Pump	74	24
817275A1	HOUSING KIT Water Pump	94	23	821327	PIN Dowel	68	14
821539	PIN Trilobe	60	33	823943	BUSHING	14	15
8245191	RETAINER	74	14	8245191	RETAINER	94	14
82494830	SCREW (M6 x 30)	26	24	825191A03	HOSE KIT Rigging	110	-
82671117	NUT (.500-20)	62	37	82671117	NUT (.500-20)	64	42
82671117	NUT (.500-20)	112	-	830749	SEAL	82	33
830749	SEAL	88	33	830749	SEAL	100	32
830749	SEAL	104	32	832838	SCREW (M6 x 20)	66	10
83296910	FUSE Mini - Red - 10 Ampere	18	9	8329692	FUSE Mini - Gray - 2 Ampere	18	9
832969T05	FUSE Mini - Tan - 5 Ampere	18	9	832969T15	FUSE Mini - Blue - 15 Ampere	18	9
832969T20	FUSE Mini - Yellow - 20 Ampere	18	9	834985	GROMMET	16	3
834985	GROMMET	18	2	841388	WASHER (.410 x .810 x .050) Stainless Steel	14	18
841388	WASHER (.410 x .810 x .050) Stainless Steel	92	4	844850	WASHER (.660 x 1.310 x .09) Stainless Steel	106	8
847635001	ANODE	92	2	85045	O-RING (.551 x .070)	68	9
853219	SCREW (M8 x 25)	34	10	855228	CLAMP	50	6
856954	BUSHING	16	2	856954	BUSHING	18	5
856954	BUSHING	30	21	856982	WASHER (.500 x .810 x .090) Stainless Steel	68	25
856982	WASHER (.500 x .810 x .090) Stainless Steel	108	6	856982	WASHER (.500 x .810 x .090) Stainless Steel	108	13
85944975	TUBING (72.00 Inches Bulk)	68	4	863006	O-RING (10.82 x 1.78)	56	42
863006	O-RING (10.82 x 1.78)	68	10	866029	CLAMP	14	21
86614	O-RING (1.049 x .103)	38	17	86614	O-RING (1.049 x .103)	56	4
880649002	LEVER Tilt Lock	60	15	880650003	SHAFT Tilt Lock	60	14
8806561	BEARING	62	14	880660T02	TUBE Steering	62	23
880661	SEAL	62	13	8806621	BEARING	62	12
8806641	BEARING (.625 Inch)	60	19	880665T01	ARM Steering	62	30
880667	SEAL	62	8	880717A01	SCREW/SEAL KIT Gearcase	110	-
880719	RING Retaining	74	15	880719	RING Retaining	80	4
880719	RING Retaining	86	4	880719	RING Retaining	94	16
880719	RING Retaining	100	4	880719	RING Retaining	102	4

PARTS INDEX

Part No.	Description	Pg.	Ref.no	Part No.	Description	Pg.	Ref.no
881150K1	SEAL KIT Flush - Dual Water Pickup	110	-	881150Q1	FLUSH KIT Dual Water Pick Up	110	-
882751	RELAY	16	8	883066	CLIP (.865)	28	29
883705T01	STRAP TOOL Engine Lifting	114	NS	884323T01	BEARING ASSEMBLY Roller	100	10
884323T01	BEARING ASSEMBLY Roller	104	10	884325T01	BEARING ASSEMBLY Roller-Tapered	100	9
884325T01	BEARING ASSEMBLY Roller-Tapered	104	9	88439A50	CABLE SET Battery	110	-
884546	GROMMET	28	6	884546	GROMMET	38	23
885094105	SCREW (M14 x 105)	62	17	885111	PIN Dowel (.375 x .875)	62	22
885112	WASHER	62	18	885349501	SCREW	14	19
885361A01	FITTING ASSEMBLY Flush	10	16	88552514	SCREW (M6 x 14 MM) Stainless Steel	4	12
88552514	SCREW (M6 x 14 MM) Stainless Steel	14	22	88552514	SCREW (M6 x 14 MM) Stainless Steel	34	29
88552514	SCREW (M6 x 14 MM) Stainless Steel	68	3	88552612	SCREW (M8 x 12)	22	9
88552612	SCREW (M8 x 12)	36	44	88552620	SCREW (M8 x 20)	36	58
88552645	SCREW (M8X45)	22	6	88552645	SCREW (M8X45)	34	18
88552645	SCREW (M8X45)	56	38	888483	SEAL Oil	80	26
888483	SEAL Oil	86	26	888483	SEAL Oil	100	30
888483	SEAL Oil	104	30	888958001	PLUG Flush Port	10	13
888988008	CLAMP (34.6 MM)	38	9	888988011	CLAMP (38.1 MM)	38	14
888988011	CLAMP (38.1 MM)	56	5	889244T01	HARNESS ASSEMBLY DTS Clean Power (25 Feet)	110	-
889540A03	CLUTCH KIT	60	18	889543016	BOLT	62	28
889546	SCREW (M5 x 10)	60	36	889549	WASHER	64	46
889550	CAP Bleeder - Vinyl	62	7	889552	FITTING -6 ORB to -6 ORFS (90 Degree)	62	5
889823001	TETHER Flush Plug	10	15	891663001	SENSOR ASSEMBLY Temperature	18	21
891663001	SENSOR ASSEMBLY Temperature	36	54	892073002	SHOULDER SCREW (M6)	38	29
892228	PIN Dowel	34	15	892446	O-RING (14 X 1.78 MM)	56	40
892454030	SCREW (M6 x 30)	46	18	892454035	BOLT (M6 x 36)	46	6
892486K08	CONVERSION KIT Analog	110	-	892524	FITTING	62	10
893395A01	PLATE Flush Mount	110	-	893404	ANODE	62	26
893405T	COVER	62	11	893419	CAP KIT	66	16
893420A01	MANUAL RELEASE KIT	66	17	893540	PIN Dowel, 8x12 long	42	7
893754035	SCREW (M6 X 35)	48	25	895062	WASHER	62	36
895062	WASHER	110	-	895099	EXTRACTOR Fuse	18	10
895319	GROMMET	30	20	895390	TILT PIN	60	30
895390	TILT PIN	62	31	895797001	FITTING	106	9
895851	CLAMP (8.00 Inches)	106	11	895854	O-RING	62	25
895854A01	O-RING KIT	66	15	896158A01	O-RING KIT	66	3
896159A01	PISTON KIT	66	4	896160A01	O-RING KIT	66	7
896161A02	TRIM MOTOR KIT	66	19	896162A01	TRIM NECK KIT	66	14
896164A01	TRIM FILTER KIT	66	13	896165A01	CHECK KIT Trim PO	66	6
896166A01	MANIFOLD KIT Trim	66	5	896167A01	RESERVOIR KIT	66	20
896305001	BRACKET	110	-	896333T25	HARNESS ASSEMBLY (25 Feet)	110	-
896392	WASHER	110	-	896522	O-RING (799 x .103)	14	13
896699	O-RING (1.78 mm x .08 mm)	18	15	896699	O-RING (1.78 mm x .08 mm)	18	26
896895	NUT (M12)	68	26	897445501	SCREW (M6 x 20 MM)	20	3
897926	NUT (M12), Nylon Insert	108	7	897926	NUT (M12), Nylon Insert	108	14
898836	O-RING Brown	42	26	899145	CLIP Tie Strap	16	7
899145	CLIP Tie Strap	28	21	899145	CLIP Tie Strap	38	35
899712A01	CABLE KIT Continuity	110	-	899785K04	HARNESS ASSEMBLY Accessory Power (30 Feet)	110	-
8M0000190	O-RING (4.475 x .210)	80	27	8M0000190	O-RING (4.475 x .210)	86	27
8M0000190	O-RING (4.475 x .210)	100	28	8M0000190	O-RING (4.475 x .210)	104	28
8M0001734	ANODE	66	8	8M0005773	SCREW (M6)	28	8
8M0007798	SCREW (M10 x 65)	62	29	8M0008031	STUD (M12 x 1.75 x 52)	68	24
8M0008047	STUD (M12 x 179)	108	5	8M0010183	O-RING	66	11
8M0011987	SENSOR	18	28	8M0012083	ANODE	62	21
8M0022324	SCREW (M6 x 25 MM)	10	21	8M0022324	SCREW (M6 x 25 MM)	50	4
8M0028753	CLAMP Oetiker (31.6 Diameter)	38	4	8M0028753	CLAMP Oetiker (31.6 Diameter)	56	7
8M0032833	KEY	74	22	8M0032833	KEY	94	21
8M0032848	RETAINER Switch	10	17	8M0034912	O-RING 3.78 X 21.32	52	6
8M0036047	SCREW (.375 x .62)	92	3	8M0036228	O-RING (8.1 X 1.6)	68	11
8M0036819	SET SCREW (10-32)	82	38	8M0036819	SET SCREW (10-32)	88	38
8M0037209	GROMMET FSM Retainer	28	24	8M0037225	TRIM SWITCH Round Bezel	10	18
8M0038370	SCREW (.500-20 x 5.50)	62	34	8M0038931	RING Retaining	60	35

PARTS INDEX

Part No.	Description	Pg.	Ref.no	Part No.	Description	Pg.	Ref.no
8M0038931	RING Retaining	62	32	8M0042271	GUIDE Water Tube	108	2
8M0042271	GUIDE Water Tube	108	9	8M0042642	WASHER (.323 x .562 x .063)	62	3
8M0042697	HARNESS Fuel Filter Sensor Extension (144 in)	32	4	8M0043059	DECAL Warning	62	39
8M0044601	O-RING	26	12	8M0044991	IGNITION COIL Ignition Dual Output	20	5
8M0045493	PIN	80	14	8M0045493	PIN	86	14
8M0045493	PIN	100	13	8M0045493	PIN	104	13
8M0045676	BEARING Roller	72	8	8M0045676	BEARING Roller	92	8
8M0046215	CRANK, Shifter 1/4 Pivot Pin	80	11	8M0046215	CRANK, Shifter 1/4 Pivot Pin	86	11
8M0046215	CRANK, Shifter 1/4 Pivot Pin	100	11	8M0046215	CRANK, Shifter 1/4 Pivot Pin	104	11
8M0046563	RETAINING RING	74	33	8M0046563	RETAINING RING	80	3
8M0046563	RETAINING RING	86	3	8M0046563	RETAINING RING	94	29
8M0046563	RETAINING RING	100	3	8M0046566	CAP	28	12
8M0046569	RING Thrust	80	24	8M0046569	RING Thrust	86	24
8M0046569	RING Thrust	100	27	8M0046569	RING Thrust	104	27
8M0046636	NUT	72	6	8M0046636	NUT	92	6
8M0047718	SCREW (M5 X 8MM)	10	12	8M0047886	HOLDER Spare Fuse	18	8
8M0050423	WASHER .020	80	19	8M0050423	WASHER .020	86	19
8M0050424	WASHER .022	80	19	8M0050424	WASHER .022	86	19
8M0050425	WASHER .024	80	19	8M0050425	WASHER .024	86	19
8M0050427	WASHER .026	80	19	8M0050427	WASHER .026	86	19
8M0050428	WASHER .028	80	19	8M0050428	WASHER .028	86	19
8M0050429	WASHER .030	80	19	8M0050429	WASHER .030	86	19
8M0050430	WASHER .032	80	19	8M0050430	WASHER .032	86	19
8M0050431	WASHER .034	80	19	8M0050431	WASHER .034	86	19
8M0050432	WASHER .036	80	19	8M0050432	WASHER .036	86	19
8M0050433	WASHER .038	80	19	8M0050433	WASHER .038	86	19
8M0050434	WASHER .040	80	19	8M0050434	WASHER .040	86	19
8M0050434	WASHER .040	100	18	8M0050434	WASHER .040	104	18
8M0050435	WASHER .042	80	19	8M0050435	WASHER .042	86	19
8M0050436	WASHER .044	80	19	8M0050436	WASHER .044	86	19
8M0050437	WASHER .046	80	19	8M0050437	WASHER .046	86	19
8M0050438	WASHER .048	80	19	8M0050438	WASHER .048	86	19
8M0050439	WASHER .050	80	19	8M0050439	WASHER .050	86	19
8M0050575	SPRING	80	16	8M0050575	SPRING	86	16
8M0050575	SPRING	100	15	8M0050575	SPRING	104	15
8M0050688	WASHER	80	30	8M0050688	WASHER	88	30
8M0050688	WASHER	100	24	8M0050688	WASHER	104	24
8M0050692	BEARING	80	28	8M0050692	BEARING	86	28
8M0050692	BEARING	100	23	8M0050692	BEARING	104	23
8M0050704	BEARING Needle	80	22	8M0050704	BEARING Needle	86	22
8M0050704	BEARING Needle	100	26	8M0050704	BEARING Needle	104	26
8M0050821	COVER KIT Flush, Standard	82	37	8M0050821	COVER KIT Flush, Standard	88	37
8M0050821	COVER KIT Flush, Standard	100	36	8M0050821	COVER KIT Flush, Standard	104	36
8M0051043	RETAINING RING	80	8	8M0051043	RETAINING RING	86	8
8M0051043	RETAINING RING	100	8	8M0051043	RETAINING RING	104	8
8M0053116	SHIM SET	80	29	8M0053116	SHIM SET	88	29
8M0053116	SHIM SET	100	25	8M0053116	SHIM SET	104	25
8M0053120	GEAR SET 12/21 (1.75:1)	104	21	8M0053121	GEAR KIT	102	6
8M0053124	GEAR KIT	100	21	8M0053183	ADAPTER	80	23
8M0053183	ADAPTER	86	23	8M0053183	ADAPTER	100	22
8M0053183	ADAPTER	104	22	8M0053726	FSM TOP HOUSING	30	1
8M0053749	REGULATOR ASSEMBLY	30	5	8M0053756	SCREW Plastite W/ HX WSR HD	30	2
8M0053823	THRUST WASHER	80	7	8M0053823	THRUST WASHER	86	7
8M0053823	THRUST WASHER	100	7	8M0053823	THRUST WASHER	104	7
8M0056639	RING Retainer	100	29	8M0056639	RING Retainer	104	29
8M0062703	WASHER	72	7	8M0062703	WASHER	92	7
8M0063267	SHIM SET	72	12	8M0063267	SHIM SET	94	12
8M0063268	SHIM SET	72	10	8M0063268	SHIM SET	94	10
8M0063270	SHIM SET	80	5	8M0063270	SHIM SET	86	5
8M0063270	SHIM SET	100	5	8M0063270	SHIM SET	102	5
8M0064306	SPACER	80	18	8M0064306	SPACER	86	18

PARTS INDEX

Part No.	Description	Pg.	Ref.no	Part No.	Description	Pg.	Ref.no
8M0064306	SPACER	100	17	8M0064306	SPACER	104	17
8M0064752	END CAP Cam Tensioner	42	25	8M0070368	SPACER (8.3 I.D. X 11.8 O.D.)	22	4
8M0070369	SPACER (8.3 I.D. X 11.8 O.D.)	22	3	8M0071078	SCREW (M6 X 85) Hex Flg	10	35
8M0071653	SCREW Special	82	34	8M0071653	SCREW Special	88	34
8M0071653	SCREW Special	100	33	8M0071653	SCREW Special	104	33
8M0072341	BEZEL MP Alert - Oval (Chrome)	110	-	8M0073002	SCREW (M6 X 20), Hex Flg	10	22
8M0075735	SCREW (M6 X 30) Hex Flg	10	31	8M0076745	SHIM SET	80	19
8M0076745	SHIM SET	86	19	8M0076906	SCREW (M8)	62	4
8M0076907	PAD Tilt Lock	60	21	8M0080153	M-ICON 66 MM Racing	6	4
8M0080153	M-ICON 66 MM Racing	8	4	8M0080154	DECAL M-ICON, Blue	14	8
8M0080651	SCREW (M6 x 20)	36	42	8M0080651	SCREW (M6 x 20)	42	4
8M0082988	SENSOR Crankshaft Position	18	18	8M0084244	PIN Dowel	74	36
8M0084244	PIN Dowel	108	4	8M0084244	PIN Dowel	108	12
8M0084475	SCREW (M8 x 40)	68	13	8M0086569	SCREW Shoulder (M8 x 1.25)	42	32
8M0086888	GROMMET FSM Harness Spacer	30	22	8M0087447	PLUG (10MM)	42	8
8M0087447	PLUG (10MM)	46	8	8M0087451	PLUG (18MM)	46	9
8M0087451	PLUG (18MM)	56	35	8M0087453	PLUG (24 MM)	46	10
8M0087453	PLUG (24 MM)	56	36	8M0087454	PLUG (30 MM)	42	13
8M0087454	PLUG (30 MM)	46	11	8M0090809	FILTER	28	14
8M0096302	GROMMET	14	6	8M0096302	GROMMET	16	6
8M0096302	GROMMET	26	2	8M0096302	GROMMET	34	25
8M0097226	TACHOMETER KIT Helm Mount	112	-	8M0103804	SCREW (M6 x 12 MM) Stainless Steel	26	21
8M0103804	SCREW (M6 x 12 MM) Stainless Steel	36	56	8M0103805	SCREW (M6 x 16MM) Stainless Steel	26	4
8M0103805	SCREW (M6 x 16MM) Stainless Steel	26	10	8M0103805	SCREW (M6 x 16MM) Stainless Steel	28	27
8M0103805	SCREW (M6 x 16MM) Stainless Steel	56	12	8M0103805	SCREW (M6 x 16MM) Stainless Steel	60	24
8M0103806	SCREW (M6 x 20 MM) Stainless Steel	4	8	8M0103806	SCREW (M6 x 20 MM) Stainless Steel	18	12
8M0103806	SCREW (M6 x 20 MM) Stainless Steel	28	10	8M0103806	SCREW (M6 x 20 MM) Stainless Steel	34	32
8M0103806	SCREW (M6 x 20 MM) Stainless Steel	38	3	8M0103806	SCREW (M6 x 20 MM) Stainless Steel	56	2
8M0103806	SCREW (M6 x 20 MM) Stainless Steel	60	26	8M0103807	SCREW (M6 x 25 MM) Stainless Steel	18	4
8M0103807	SCREW (M6 x 25 MM) Stainless Steel	28	3	8M0103807	SCREW (M6 x 25 MM) Stainless Steel	34	35
8M0103807	SCREW (M6 x 25 MM) Stainless Steel	42	24	8M0103808	SCREW (M6 x 30 MM) Stainless Steel	20	4
8M0103808	SCREW (M6 x 30 MM) Stainless Steel	54	2	8M0103809	SCREW (M6 x 40 MM) Stainless Steel	34	21
8M0103809	SCREW (M6 x 40 MM) Stainless Steel	42	10	8M0103810	SCREW (M6 x 45 MM) Stainless Steel	34	37
8M0103813	SCREW (M8 x 30)	34	8	8M0103817	SCREW (M8 x 60)	14	23
8M0103821	SCREW	42	35	8M0104274	NUT (.500-20) HEX, Brass	64	41
8M0105447	PAD Wear	66	9	8M0108527	WASHER Tab	82	35
8M0108527	WASHER Tab	88	35	8M0108527	WASHER Tab	100	34
8M0108527	WASHER Tab	104	34	8M0109164	PIN	80	32
8M0109164	PIN	88	32	8M0109164	PIN	100	31
8M0109164	PIN	104	31	8M0109442	GASKET	34	19
8M0109693	BRACKET Tilt Lock	80	20	8M0109756	DOUBLE NUT KIT Transom Bolt	62	40
8M0109756	DOUBLE NUT KIT Transom Bolt	110	-	8M0111653	NUT Retainer	100	35
8M0111653	NUT Retainer	104	35	8M0112869	OIL PLUG ASSEMBLY	68	8
8M0113732	HARNESS ASSEMBLY DTS, Clean Power, 14 Feet	110	-	8M0114805	THROTTLE BODY ASSEMBLY 80 MM	34	20
8M0118298	TRIM CYLINDER KIT	66	1	8M0118299	TRIM ROD KIT	66	2
8M0120073	TUBE Water	30	16	8M0123025	OIL FILTER	26	27
8M0126144	FUEL FILTER	32	1	8M0126144	FUEL FILTER	110	-
8M0127681	POWER HARNESS ASSEMBLY Helm (10 feet)	110	-	8M0127682	POWER HARNESS ASSEMBLY Helm (15 feet)	110	-
8M0129230	HOSE Oil Drain	114	16	8M0130705	GEARCASE HEIGHT TOOL KIT	114	21
8M0130878	FSM BOTTOM HOUSING	30	19	8M0131810	MP ALERT COWL KIT (Chrome Bezel)	110	-
8M0133370	FSM SEAL KIT	30	-	8M0133542	CABLE KIT (12 ft) Battery	110	-
8M0135348	SPARK PLUGS	20	6	8M0137814	ANODE ANTIVENT PLATE	72	2
8M0141330	FITTING Bleeder	62	6	8M0141337	DRIVESHAFT ASSEMBLY X-Long	72	9
8M0141337	DRIVESHAFT ASSEMBLY X-Long	94	9	8M0141338	DRIVESHAFT ASSEMBLY XX-Long	72	9
8M0141338	DRIVESHAFT ASSEMBLY XX-Long	94	9	8M0141650	SERVICE MANUAL 450R HP V8 4 STROKE	2	-
8M0141651	INSTALLATION MANUAL 450R 4.6L V8 4 STROKE	2	-	8M0141652	OPERATION MANUAL	2	-
8M0141907	CABLE KIT - THROTTLE AND SHIFT GEN II	110	-	8M0142223	LOWER REAR COWL ASSEMBLY Black	12	38
8M0142225	LOWER REAR COWL ASSEMBLY Cold Fusion, White	12	38	8M0142238	DOOR ASSEMBLY Black	4	14
8M0142239	DOOR ASSEMBLY Cold Fusion, White	4	14	8M0142242	COWL LATCH ASSEMBLY	4	7
8M0142249	ALTERNATOR 115 AMP	24	1	8M0142251	BELT	24	6

PARTS INDEX

Part No.	Description	Pg.	Ref.no	Part No.	Description	Pg.	Ref.no
8M0142252	TAPPET (3.375)	48	23	8M0142253	SHIFT ACTUATOR	68	18
8M0142255	TAPPET (3.390)	48	23	8M0142256	TAPPET (3.405)	48	23
8M0142257	TAPPET (3.420)	48	23	8M0142258	TAPPET (3.435)	48	23
8M0142261	TAPPET (3.450)	48	23	8M0142263	TAPPET (3.465)	48	23
8M0142265	SENSOR Oil Level	18	24	8M0142265	SENSOR Oil Level	110	-
8M0142272	GASKET Cylinder Head	48	26	8M0142273	GASKET Cylinder Head	48	26
8M0142274	GASKET	54	9	8M0142277	TAPPET (3.480)	48	23
8M0142281	CAMSHAFT COVER ASSEMBLY Port	50	1	8M0142282	CAMSHAFT COVER ASSEMBLY Starboard	50	1
8M0142283	SEAL Camshaft Cover, Port	50	2	8M0142284	SEAL Camshaft Cover, Starboard	50	2
8M0142285	SEAL Spark Plug	50	3	8M0142290	CAP Oil	26	6
8M0142291	TAPPET (3.495)	48	23	8M0142292	TAPPET (3.510)	48	23
8M0142346	SCREW (M11 x 107 MM) 12 POINT HEX HEAD	42	12	8M0142347	SCREW (M10 x 96 MM) HEX FLG HD	42	11
8M0142348	GASKET Cover Plate	42	9	8M0142349	COVER	42	3
8M0142352	PLUG 18 MM	42	5	8M0142353	O-RING (0.614 x 0.070)	42	6
8M0142354	VALVE Seat, Intake	46	2	8M0142355	VALVE Seat, Exhaust	46	3
8M0142356	SCREW (M5 x 6)	56	19	8M0142357	PLUG 21 MM Special	46	7
8M0142358	VALVE Guide	46	4	8M0142359	SEAL Valve	46	15
8M0142360	SPRING	46	14	8M0142361	VALVE Intake	46	16
8M0142363	RETAINER	46	13	8M0142364	VALVE Key	46	12
8M0142365	TAPPET (3.000)	46	23	8M0142366	CHAIN Cam to Cam	46	20
8M0142367	TENSIONER	46	19	8M0142368	O-RING (230 2.484 x .139)	48	27
8M0142369	SCREW (M10 x 107) TORX FLG HD	48	24	8M0142371	DECAL Read Manual, Black	12	40
8M0142379	SEAL Main Bearing	52	4	8M0142381	PISTON RING ASSEMBLY	52	10
8M0142385	SPACER	52	5	8M0142386	RING RETAINING	52	3
8M0142389	PLUG Flywheel	14	5	8M0142390	SPROCKET Camshaft	42	30
8M0142392	GUIDE Moveable	42	34	8M0142393	GUIDE Cam Drive	42	33
8M0142394	TENSIONER ASSEMBLY Timing Chain	42	27	8M0142395	CAM BOLT M12 Special Left Hand	42	29
8M0142399	CHAIN CAM DRIVE	42	28	8M0142400	GUIDE SHORT SPAN	42	31
8M0142401	SCREW (M6) HX FL REDUCED HEAD	26	32	8M0142402	OIL PICK UP ASSEMBLY	26	35
8M0142403	OIL PUMP ASSEMBLY	26	29	8M0142407	SCREW (M6) HEX SOCKET FLAT X 16 LG	26	31
8M0142408	DOWEL Pin	26	30	8M0142409	PLUG Balancer	42	14
8M0142410	COVER Balancer, Stamped	42	22	8M0142411	CAMSHAFT Exhaust, Starboard	46	21
8M0142413	MANDREL Rear Gear Bearing Cone	114	11	8M0142414	TOOL Gear Assembly Driver	114	12
8M0142416	CAMSHAFT Exhaust, Port	46	21	8M0142417	CRANKSHAFT	52	1
8M0142421	BALANCE SHAFT	42	15	8M0142422	SPROCKET	42	21
8M0142423	SCREW (M8 x 1.25) HEX FL SEMS	42	20	8M0142424	WASHER THRUST	52	7
8M0142426	PIN Dowel	42	19	8M0142427	PLATE Retainer	42	17
8M0142428	SCREW (M5 x 12) HEX FLG	42	18	8M0142429	BEARING Ball	42	16
8M0142431	TAPPET (3.015)	46	23	8M0142432	HOSE Intake to FSM	28	4
8M0142437	HOSE ASSEMBLY FSM To Fuel Rail	28	17	8M0142438	TAPPET (3.075)	46	23
8M0142439	TAPPET (3.030)	46	23	8M0142440	TAPPET (3.045)	46	23
8M0142441	TAPPET (3.060)	46	23	8M0142442	HOSE ASSEMBLY FSM To Port Rail	28	16
8M0142443	TAPPET (3.120)	46	23	8M0142445	CLIP	28	20
8M0142447	TAPPET (3.135)	46	23	8M0142448	LIFTING EYE Starboard	42	37
8M0142450	O-RING (70 Durometer)	26	19	8M0142452	O-RING (70 Durometer)	26	18
8M0142459	LIFTING EYE Port	42	36	8M0142460	SCREW (M8 x 45) HEX FLG	24	7
8M0142460	SCREW (M8 x 45) HEX FLG	26	3	8M0142463	TUBE Dipstick	26	15
8M0142464	TAPPET (3.150)	46	23	8M0142465	TAPPET (3.165)	46	23
8M0142466	TAPPET (3.180)	46	23	8M0142467	BRACKET Oil Fill	26	1
8M0142468	TUBE Oil Fill	26	11	8M0142469	HOSE Oil Fill	26	9
8M0142470	GROMMET	14	9	8M0142471	GROMMET (0.375 IN)	26	16
8M0142472	HOSE Port to Starboard Breather	50	5	8M0142475	COVER Fuel Rail, Port	28	9
8M0142476	COVER Fuel Rail, Starboard	28	19	8M0142478	NECK Oil Fill	26	5
8M0142479	COVER Electrical Plate	16	9	8M0142481	O-RING (0.362 x 0.103)	26	14
8M0142481	O-RING (0.362 x 0.103)	34	4	8M0142481	O-RING (0.362 x 0.103)	34	7
8M0142481	O-RING (0.362 x 0.103)	34	12	8M0142484	BRACKET Oil Filter	26	20
8M0142487	TAPPET (3.195)	46	23	8M0142488	TAPPET (3.210)	46	23
8M0142489	TAPPET (3.225)	46	23	8M0142490	TAPPET (3.240)	46	23
8M0142491	TAPPET (3.255)	48	23	8M0142492	TAPPET (3.105)	46	23
8M0142494	FITTING	38	1	8M0142495	TAPPET (3.090)	46	23
8M0142500	HOSE Thermostat Outlet	38	10	8M0142501	GROMMET	38	12

PARTS INDEX

Part No.	Description	Pg.	Ref.no	Part No.	Description	Pg.	Ref.no
8M0142502	HOSE Water Inlet	38	15	8M0142503	HOSE Cooling	38	5
8M0142504	HOSE	38	21	8M0142505	HOSE	38	20
8M0142506	FITTING Connector	38	13	8M0142507	YFITTING	38	18
8M0142509	FITTING Connector	38	11	8M0142510	FITTING	38	24
8M0142516	FITTING Barbed	38	6	8M0142517	O-RING (23.6 MM ID X 2.9 MM)	38	7
8M0142518	HOSE ASSEMBLY	38	22	8M0142519	TAPPET (3.270)	48	23
8M0142520	TAPPET (3.285)	48	23	8M0142521	TAPPET (3.300)	48	23
8M0142525	TAPPET (3.315)	48	23	8M0142527	TAPPET (3.330)	48	23
8M0142532	TAPPET (3.345)	48	23	8M0142533	SCREW (M8 x 85)	56	37
8M0142534	FITTING Sprayer	56	39	8M0142535	MANIFOLD Exhaust	56	34
8M0142537	GASKET Exhaust Manifold	48	28	8M0142538	COUPLING	56	43
8M0142541	CLAMP (93.7 MM DIA)	56	44	8M0142542	SENSOR Temperature	18	14
8M0142559	HOLDING FIXTURE Gear Assembly	114	8	8M0142569	DECAL Warning	18	30
8M0142576	DIPSTICK	26	28	8M0142577	DECAL Read Manual, Clear	12	40
8M0142578	GASKET MAT Sensor	18	22	8M0142585	CLAMP	28	15
8M0142587	PLUG Lower Relief Muffler	74	38	8M0142595	SHAFT Exhaust Valve	56	21
8M0142596	PLATE Exhaust Valve	56	20	8M0142613	TAPPET (3.360)	48	23
8M0142615	MANDREL Press Spacer	114	9	8M0142624	GUIDE PLATE Bearing Carrier	114	10
8M0142636	BEARING MANDREL	114	13	8M0142649	SENSOR WIF	32	2
8M0142659	SEAL	74	20	8M0142659	SEAL	94	36
8M0142666	TAPPET (3.525)	48	23	8M0142667	TAPPET (3.540)	48	23
8M0142668	TAPPET (3.555)	48	23	8M0142669	TAPPET (3.570)	48	23
8M0142670	TAPPET (3.585)	48	23	8M0142671	GUIDE	20	2
8M0142675	CABLE ASSEMBLY Fusible Link	24	4	8M0142677	SCREW (M8 x 85)	22	5
8M0142677	SCREW (M8 x 85)	24	10	8M0142682	WIRE HARNESS Trim	64	45
8M0142686	SCREW (M6 x 25)	16	5	8M0142688	SENSOR Pressure	18	16
8M0142689	SENSOR Temperature	18	25	8M0142690	SENSOR MAP	18	17
8M0142691	BRACKET Cam Sensor	18	29	8M0142692	BRACKET Alternator	24	8
8M0142693	BRACKET Alternator	24	9	8M0142694	WIRE HARNESS Coil Adapter	20	7
8M0142695	SENSOR Oxygen	18	27	8M0142696	SENSOR Pressure	110	-
8M0142698	TAPPET (3.600)	48	23	8M0142699	TAPPET (3.615)	48	23
8M0142700	TAPPET (3.630)	48	23	8M0142701	TAPPET (3.645)	48	23
8M0142702	TAPPET (3.660)	48	23	8M0142703	TAPPET (3.675)	48	23
8M0142704	TAPPET (3.690)	48	23	8M0142708	SCREW (M6)	54	12
8M0142708	SCREW (M6)	54	18	8M0142709	LOWER FRONT COWL ASSEMBLY Black	10	23
8M0142710	DRAIN Cowl	54	11	8M0142710	DRAIN Cowl	60	23
8M0142711	WASHER (28.4 MM x 1.6 MM)	60	10	8M0142712	O-RING (0.796 x 0.139)	74	28
8M0142713	CAP Chap Support	60	4	8M0142714	FITTING	68	6
8M0142717	LOWER FRONT COWL ASSEMBLY Cold Fusion, White	10	23	8M0142720	SEAL	56	10
8M0142721	GROMMET Exhaust	56	11	8M0142722	BRACKET FSM	28	25
8M0142724	GROMMET	28	26	8M0142725	TUBE Water Inlet	56	8
8M0142726	SCREW (M6)	56	13	8M0142727	TUBE Water Outlet	56	6
8M0142728	PIPE Exhaust	56	1	8M0142729	FITTING	56	16
8M0142731	FITTING ELBOW	56	3	8M0142732	FITTING ELBOW	56	27
8M0142735	MUFFLER ASSEMBLY Starboard	56	28	8M0142738	HOSE	56	15
8M0142739	HOSE	56	29	8M0142740	GROMMET	56	26
8M0142741	HOSE Crossover, Idle Relief	56	30	8M0142743	NUT (M10 x 1.5)	54	20
8M0142748	FITTING	54	13	8M0142751	SEAL Lower Cowl-Port	54	5
8M0142753	PLATE Lower Cowl-Starboard	54	7	8M0142754	PLATE Lower Cowl-Port	54	6
8M0142755	SOUND BLOCK	54	3	8M0142766	HOSE	56	31
8M0142768	ACTUATOR	56	22	8M0142769	SEAL	56	23
8M0142770	MUFFLER ASSEMBLY	56	17	8M0142773	COUPLER	56	24
8M0142778	WASHER Mount Snubber	68	7	8M0142781	STUD (M12 x 179)	68	24
8M0142784	BRACKET Shift Harness	68	15	8M0142785	BRACKET Shift Harness	68	16
8M0142786	MUFFLER Lower Exhaust	74	38	8M0142788	STUD (M12 x 306)	68	24
8M0142788	STUD (M12 x 306)	108	11	8M0142813	MOUNT Upper	60	11
8M0142815	TRIM POSITION SENSOR	60	37	8M0142816	WASHER Mount	60	8
8M0142817	SNUBBER	60	27	8M0142818	CAP	60	34
8M0142821	PIN Rodeye	60	31	8M0142822	SCREW (M6 x T30)	10	27
8M0142822	SCREW (M6 x T30)	60	3	8M0142829	SCREW (M6 x 20)	68	17

PARTS INDEX

Part No.	Description	Pg.	Ref.no	Part No.	Description	Pg.	Ref.no
8M0142835	BEARING Roller Tapered	80	9	8M0142835	BEARING Roller Tapered	86	9
8M0142836	BEARING Roller Tapered	80	10	8M0142836	BEARING Roller Tapered	86	10
8M0142850	SCREW (M10 X 25)	72	3	8M0142851	VRING Face Seal	74	27
8M0142853	PLUG Torpedo	102	2	8M0142854	O RING (2.175 x .103)	74	17
8M0142854	O RING (2.175 x .103)	94	15	8M0142854	O RING (2.175 x .103)	102	3
8M0142857	SPOOL	80	12	8M0142857	SPOOL	86	12
8M0142857	SPOOL	100	12	8M0142857	SPOOL	104	12
8M0142858	SHIFT SHAFT Long	74	37	8M0142858	SHIFT SHAFT Long	94	35
8M0142859	BUSHING Shift Shaft	74	31	8M0142859	BUSHING Shift Shaft	94	31
8M0142860	O-RING	74	32	8M0142860	O-RING	94	30
8M0142865	SHIFT SHAFT X-Long	74	37	8M0142865	SHIFT SHAFT X-Long	94	35
8M0142866	RING Retaining	74	30	8M0142866	RING Retaining	94	28
8M0142869	COVER HOUSING Gearcase	74	19	8M0142869	COVER HOUSING Gearcase	94	19
8M0142871	CLUTCH Sliding 6 Jaw	80	15	8M0142871	CLUTCH Sliding 6 Jaw	86	15
8M0142871	CLUTCH Sliding 6 Jaw	100	14	8M0142871	CLUTCH Sliding 6 Jaw	104	14
8M0142877	SHAFT PROPELLER	80	17	8M0142877	SHAFT PROPELLER	86	17
8M0142878	PLUG Screw	72	4	8M0142885	SHIFT SHAFT XX-Long	74	37
8M0142885	SHIFT SHAFT XX-Long	94	35	8M0142903	CLIP	4	9
8M0142904	ALIGNMENT LEG	4	2	8M0142906	SEAL Top Cowl	4	6
8M0142907	LOCK PUSH	4	19	8M0142908	SEAL Door	4	17
8M0142913	KEEPER ASSEMBLY	4	15	8M0142914	SHIM LATCH	4	20
8M0142915	BUMPER Starboard	4	5	8M0142916	BUMPER Port	4	4
8M0142918	SCREW (M5 x 12)	10	2	8M0142918	SCREW (M5 x 12)	10	19
8M0142919	STRIKER ASSEMBLY Port	10	6	8M0142921	SCREW (M6 X 16)	10	7
8M0142922	RETAINER Front, Port	10	4	8M0142923	RETAINER Rear, Port	10	3
8M0142925	STRIKER ASSEMBLY Starboard	10	8	8M0142929	RETAINER Front, Starboard	10	10
8M0142930	RETAINER Rear, Starboard	10	9	8M0142932	STRIKER ASSEMBLY Front	10	24
8M0142933	SCREW (M6 x 40)	12	36	8M0142935	ADAPTER	10	32
8M0142939	SOUND BLANKET	10	29	8M0142940	BUMPER	10	20
8M0142941	GROMMET	10	25	8M0142942	GUIDE Rear, Starboard	12	37
8M0142943	GUIDE Rear, Port	12	39	8M0142944	GUIDE Front, Starboard	10	34
8M0142954	CLIP	4	11	8M0142955	SCREW (M5 x 0.8)	4	10
8M0142957	SOUND BLANKET	10	30	8M0142960	SOUND BLANKET	10	NS
8M0142962	SEAL Adapter Plate	54	10	8M0142969	SHIFT SHAFT TOOL	114	1
8M0142970	ALIGNMENT TOOL Preload Driver	114	2	8M0142972	PLATE	10	11
8M0142973	SHIFT SHAFT HANDLE TOOL	114	3	8M0142974	RETAINER PRESS FIXTURE	114	4
8M0142976	TOOL Press Fixture Base	114	5	8M0142978	SEAL ACTUATOR	68	20
8M0142980	IMPELLER REPAIR KIT	94	-	8M0142983	SHAFT TOOL Bearing Carrier Assembly	114	6
8M0143359	SOUND CONTROL KIT Advanced	110	-	8M0143773	DECAL SET	6	2
8M0145100	SCREW M8 Hex Flange	24	5	8M0145393	TOOL Threaded Clutch Assembly	114	7
8M0145607	TOOL Bar Puller	114	NS	8M0145987	HARNES KIT Re-power Plan	110	-
8M0146066	DRIVESHAFT KIT X-Long	108	15	8M0146067	DRIVESHAFT KIT XX-Long	108	15
8M0146553	BEARING ASSEMBLY Cup/Cone	72	11	8M0146553	BEARING ASSEMBLY Cup/Cone	94	11
8M0146566	BEARING ASSEMBLY Cup/Cone	74	13	8M0146566	BEARING ASSEMBLY Cup/Cone	94	13
8M0146861	TOOL Flywheel	114	14	8M0146862	TOOL Stretch Belt	114	15
8M0146935	INSTALLATION TOOL Bearing Spool	114	17	8M0146936	BAR MOUNT PULLER Upper	114	18
8M0146938	GASKET Water Pump Base	74	18	8M0146938	GASKET Water Pump Base	94	18
8M0146955	GROMMET Large Hole, DTS	10	33	8M0146955	GROMMET Large Hole, DTS	110	-
8M0146963	DECAL AMS	6	5	8M0147078	INSTALLATION TOOL Trim Harness	114	20
8M0147116	TOOL GUIDE SEAL DRIVER	114	NS	8M0147118	TOOL Propshaft	114	19
8M0147671	TOOL ALIGNMENT PIN UPPER MOUNT	114	NS	8M0147674	BOOT Shift Actuator Wires	68	22
8M0147675	CLIP	68	23	8M0147689	ACCENT COWL ASSEMBLY Graphite Grey	8	1
8M0147691	ACCENT COWL ASSEMBLY Devil Eye Red	8	1	8M0147857	SHAFT Coupling	68	19
8M0147872	PIN DOWEL	60	13	8M0147883	INSERT SEAL PORT	60	29
8M0147884	INSERT SEAL STBD	60	25	8M0147892	FOAM CRADLE	60	28
8M0147920	DECAL Mercury, Silver	8	3	8M0147976	BEARING MAIN Green	52	2
8M0147977	BEARING MAIN Blue	52	2	8M0147978	BEARING MAIN White	52	2
8M0147979	BEARING MAIN Orange	52	2	8M0148077	BEARING Connecting Rod, Green	52	8
8M0148078	BEARING Connecting Rod, Blue	52	8	8M0148079	BEARING Connecting Rod, White	52	8
8M0148319	BEARING Cup/Cone	80	25	8M0148319	BEARING Cup/Cone	86	25
8M0148319	BEARING Cup/Cone	100	20	8M0148319	BEARING Cup/Cone	104	20

PARTS INDEX

Part No.	Description	Pg.	Ref.no	Part No.	Description	Pg.	Ref.no
8M0148533	DECAL Latch Position	4	18	8M0148622	ACCENT COWL ASSEMBLY Carbon Fiber	8	1
8M0148727	CAP Vinyl	58	45	8M0148865	TOOL Install Gear	114	NS
8M0148868	WRENCH AMS Mount	114	NS	8M0149553	TOOL Upper Mount Rod Installation	114	NS
8M0149555	CAMSHAFT Intake, Port	46	22	8M0149556	CAMSHAFT Intake, Starboard	46	22
8M0149565	DECAL Mercury, Black	8	3	8M0149566	DECAL Red, R	8	6
8M0149568	DECAL Black, R	8	7	8M0149608	DRIVESHAFT ASSEMBLY Long	72	9
8M0149608	DRIVESHAFT ASSEMBLY Long	94	9	8M0149614	BOLT KIT Transom (8.00 Inches)	110	-
8M0150504	FUEL FILTER KIT Boat Mounted	32	-	8M0150504	FUEL FILTER KIT Boat Mounted	110	-
8M0150516	FITTING Water	34	3	8M0150597	TOOL-SHIFT ACTUATOR Test TEE Harness	114	23
8M0150862	CLAMP Pinch Ear	56	18	8M0150994	FITTING CONNECTOR KIT	112	-
8M0151153	RODEYE PIN CAP	60	39	8M0151155	SCREW Nylon Push In	54	15
8M0151156	SPACER	24	2	8M0151525	DECAL MICON 53 MM, Racing	6	3
8M0152423	BRACKET Plastic Snap	32	5	8M0152436	ORING	32	3
8M0153609	GROMMET	18	13	8M0153609	GROMMET	36	43
8M0153888	MANUAL 450R Diagnostic	2	-	8M0153916	DIAGNOSTIC TOOL KIT CDS G3	114	22
8M0154651	SCREW M14 x 2 x 100 HX FLG	60	5	8M0154653	BRACKET MOUNT SUPPORT	68	12
8M0154659	MOUNT TUBULAR 8 MM	22	2	8M0155664	PARTS MANUAL 450R 4.6L V8 4 Stroke	2	-
8M0155769	GROUND STRAP	62	19	8M0156191	SHAFT Propeller	100	16
8M0156191	SHAFT Propeller	104	16	8M0156950	TOOL Backlash Indicator 1.60 Ratio Gearcase	114	25
8M0157111	PLUG Torpedo	78	2	8M0157111	PLUG Torpedo	86	2
8M0157111	PLUG Torpedo	100	2	8M0157112	FITTING STRAINER	56	32
8M0157304	GROMMET TUBE OUTLET	56	25	8M0158591	OIL TUBE ASSEMBLY Pump to Filter	26	17
8M0158595	STUD (M10)	54	19	8M0158926	GEAR SET 1.60 Rev/Fwd/Pinion	72	5
8M0158926	GEAR SET 1.60 Rev/Fwd/Pinion	80	6	8M0158926	GEAR SET 1.60 Rev/Fwd/Pinion	80	21
8M0158926	GEAR SET 1.60 Rev/Fwd/Pinion	86	6	8M0158926	GEAR SET 1.60 Rev/Fwd/Pinion	86	21
8M0159115	SPARK PLUG WIRES	20	1	8M0159576	TOP COWL ASSEMBLY Black, Decaled without Accent Panel Decal Set	4	1
8M0159577	TOP COWL ASSY COLD FUSION, White	4	1	8M0159578	SOUND BLANKET KIT	4	13
8M0159579	BEZEL INTAKE Starboard	4	22	8M0159580	BEZEL INTAKE Port	4	23
8M0159581	DECAL SET Top Cowl, 450R	6	1	8M0159582	DECAL REAR 450R	8	5
8M0159583	LOWER COWL ASSY BLACK Port and Starboard	10	1	8M0159584	LOWER COWL ASSY COLD FUSION WHITE Port and Starboard	10	1
8M0159585	SEAL LOWER FRONT SEAL	10	5	8M0159588	SEAL FLUSH PLUG	10	14
8M0159591	COVER CRADLE ASSEMBLY Cold Fusion, White	10	28	8M0159592	COVER CRADLE ASSEMBLY Graphite Grey	10	28
8M0159593	FLYWHEEL	14	1	8M0159594	FLYWHEEL PULLEY	14	3
8M0159595	BELT	14	2	8M0159596	SCREW M8 x 1 x 150 HEX FLANGE HD	14	4
8M0159597	COVER, FLYWHEEL ASSEMBLY	14	7	8M0159598	DECAL Check Engine Oil	14	10
8M0159599	HARNESS Engine Wiring	16	11	8M0159599	HARNESS Engine Wiring	18	-
8M0159600	SENSOR Pressure	18	20	8M0159601	PLATE ELECTRICAL	16	1
8M0159602	DECAL Maintenance Schedule	16	10	8M0159603	STARTER	22	1
8M0159604	GROUND STRAP STARTER	22	8	8M0159606	COVER FUSE BOX	18	7
8M0159607	COVER ECU	18	6	8M0159608	SUPERCHARGER	34	1
8M0159609	GASKET SUPERCHARGER	34	2	8M0159610	FITTING WATER	34	6
8M0159611	GASKET CAC INLET	34	9	8M0159612	FITTING ASSY WATER	34	11
8M0159613	HOSE BEDPLATE COVER	34	13	8M0159614	STUD	42	38
8M0159615	STUD	42	39	8M0159616	STUD	34	16
8M0159617	GASKET BEDPLATE	36	53	8M0159617	GASKET BEDPLATE	42	40
8M0159618	NUT	42	41	8M0159619	BRACKET 14 PIN MOUNT	18	11
8M0159620	SEAL INLET THROTTLE BODY	34	22	8M0159621	CLAMP HOSE 80-100 MM 9 MM WIDE	34	23
8M0159622	ATTENUATOR ASSEMBLY	34	24	8M0159623	SCREEN INTAKE	34	27
8M0159624	TUBE DIPSTICK UPPER	26	13	8M0159625	OIL COOLER ASSEMBLY	26	22
8M0159626	ADAPTER OIL FILTER	26	23	8M0159627	GASKET OIL FILTER APAPTER	26	26
8M0159629	CLIP PUSH IN	34	26	8M0159630	VALVE Electronic Boost Control	34	28
8M0159631	BYPASS DUCT ASSEMBLY	34	30	8M0159632	CLAMP OETIKER	34	31
8M0159633	GASKET BYPASS DUCT	34	33	8M0159634	MANIFOLD ASSEMBLY PORT	34	34
8M0159635	SCREW M8 x 25 HEX FLANGE HD	34	36	8M0159636	MANIFOLD ASSEMBLY STARBOARD	34	38
8M0159645	VALVE Exhaust	46	17	8M0159647	CONNECTING ROD	52	12
8M0159648	BOLT, CONNECTING ROD	52	13	8M0159649	GEAR HOUSING ASSEMBLY Complete (Standard Long) 5.44 1.60 GRAPHITE GREY	70	-
8M0159649	GEAR HOUSING ASSEMBLY Complete (Standard Long) 5.44 1.60 GRAPHITE GREY	78	-	8M0159650	GEAR HOUSING ASSEMBLY Complete (Counter Rotation Long) 5.44 1.60 GRAPHITE GREY	70	-
8M0159650	GEAR HOUSING ASSEMBLY Complete (Counter Rotation Long) 5.44 1.60 GRAPHITE GREY	84	-	8M0159651	GEAR HOUSING ASSEMBLY Complete (Standard X-Long) 5.44 1.60 GRAPHITE GREY	70	-

PARTS INDEX

Part No.	Description	Pg.	Ref.no	Part No.	Description	Pg.	Ref.no
8M0159681	GEAR HOUSING ASSEMBLY Complete (Standard XX-Long) 5.44 1.60 Cambered Skeg COLD FUSION WHITE	78	-	8M0159682	GEAR HOUSING ASSEMBLY Complete (Counter Rotation Long) 5.44 1.60 Cambered Skeg COLD FUSION WHITE	72	-
8M0159682	GEAR HOUSING ASSEMBLY Complete (Counter Rotation X-Long) 5.44 1.60 Cambered Skeg COLD FUSION WHITE	84	-	8M0159683	GEAR HOUSING ASSEMBLY Complete (Counter Rotation X-Long) 5.44 1.60 Cambered Skeg COLD FUSION WHITE	72	-
8M0159683	GEAR HOUSING ASSEMBLY Complete (Counter Rotation XX-Long) 5.44 1.60 Cambered Skeg COLD FUSION WHITE	84	-	8M0159684	GEAR HOUSING ASSEMBLY Complete (Standard Rotation XX-Long) 5.44 1.60 Cambered Skeg COLD FUSION WHITE	72	-
8M0159684	GEAR HOUSING ASSEMBLY Complete (Standard Rotation XX-Long) 5.44 1.60 Cambered Skeg COLD FUSION WHITE	84	-	8M0159685	GEAR HOUSING ASSEMBLY Complete SportMaster Long 1.60 Cold Fusion White	90	-
8M0159685	GEAR HOUSING ASSEMBLY Complete SportMaster Long 1.60 Cold Fusion White	98	-	8M0159687	GEAR HOUSING ASSEMBLY Completely SportMaster Counter Rotation Long 1.60 Cold Fusion White	90	-
8M0159687	GEAR HOUSING ASSEMBLY Completely SportMaster Counter Rotation Long 1.60 Cold Fusion White	102	-	8M0159689	GEAR HOUSING ASSEMBLY Complete SportMaster Standard Rotation X-Long 1.60 Cold Fusion White	90	-
8M0159689	GEAR HOUSING ASSEMBLY Complete SportMaster Standard Rotation X-Long 1.60 Cold Fusion White	98	-	8M0159691	GEAR HOUSING ASSEMBLY Complete SportMaster Counter Rotation X-Long 1.60 Cold Fusion White	90	-
8M0159691	GEAR HOUSING ASSEMBLY Complete SportMaster Counter Rotation X-Long 1.60 Cold Fusion White	102	-	8M0159693	GEAR HOUSING ASSEMBLY Complete SportMaster Standard Rotation XX-Long 1.60 Cold Fusion White	92	-
8M0159693	GEAR HOUSING ASSEMBLY Complete SportMaster Standard Rotation XX-Long 1.60 Cold Fusion White	98	-	8M0159694	GEAR HOUSING ASSEMBLY Complete SportMaster Counter Rotation XX-Long 1.60 Cold Fusion White	92	-
8M0159694	GEAR HOUSING ASSEMBLY Complete SportMaster Counter Rotation XX-Long 1.60 Cold Fusion White	102	-	8M0159696	GEAR HOUSING ASSEMBLY Complete SportMaster Standard Rotation Long Cambered Skeg 1.60 Cold Fusion White	92	-
8M0159696	GEAR HOUSING ASSEMBLY Complete SportMaster Standard Rotation Long Cambered Skeg 1.60 Cold Fusion White	98	-	8M0159697	GEAR HOUSING ASSEMBLY Complete SportMaster Standard Rotation X-Long Cambered Skeg 1.60 Cold Fusion White	92	-
8M0159697	GEAR HOUSING ASSEMBLY Complete SportMaster Standard Rotation X-Long Cambered Skeg 1.60 Cold Fusion White	98	-	8M0159699	GEAR HOUSING ASSEMBLY Complete SportMaster Standard Rotation XX-Long Cambered Skeg 1.60 Cold Fusion White	92	-
8M0159699	GEAR HOUSING ASSEMBLY Complete SportMaster Standard Rotation XX-Long Cambered Skeg 1.60 Cold Fusion White	98	-	8M0159700	GEAR HOUSING ASSEMBLY Complete SportMaster Counter Rotation Long Cambered Skeg 1.60 Cold Fusion White	92	-
8M0159700	GEAR HOUSING ASSEMBLY Complete SportMaster Counter Rotation Long Cambered Skeg 1.60 Cold Fusion White	102	-	8M0159701	GEAR HOUSING ASSEMBLY Complete SportMaster Counter Rotation X-Long Cambered Skeg 1.60 Cold Fusion White	92	-
8M0159701	GEAR HOUSING ASSEMBLY Complete SportMaster Counter Rotation X-Long Cambered Skeg 1.60 Cold Fusion White	102	-	8M0159703	GEAR HOUSING ASSEMBLY Complete SportMaster Counter Rotation XX-Long Cambered Skeg 1.60 Cold Fusion White	92	-
8M0159703	GEAR HOUSING ASSEMBLY Complete SportMaster Counter Rotation XX-Long Cambered Skeg 1.60 Cold Fusion White	102	-	8M0159704	GEAR ASSEMBLY Basic, 5.44 1.60 COLD FUSION WHITE	72	1
8M0159704	GEAR ASSEMBLY Basic, 5.44 1.60 COLD FUSION WHITE	78	1	8M0159704	GEAR ASSEMBLY Basic, 5.44 1.60 COLD FUSION WHITE	84	1
8M0159705	GEAR HOUSING ASSEMBLY Basic, 5.44 1.60 GRAPHITE GREY	72	1	8M0159705	GEAR HOUSING ASSEMBLY Basic, 5.44 1.60 GRAPHITE GREY	78	1
8M0159705	GEAR HOUSING ASSEMBLY Basic, 5.44 1.60 GRAPHITE GREY	84	1	8M0159706	GEAR HOUSING ASSEMBLY Basic, 5.44 1.60 Cambered Skeg COLD FUSION WHITE	72	1
8M0159706	GEAR HOUSING ASSEMBLY Basic, 5.44 1.60 Cambered Skeg COLD FUSION WHITE	78	1	8M0159706	GEAR HOUSING ASSEMBLY Basic, 5.44 1.60 Cambered Skeg COLD FUSION WHITE	84	1
8M0159707	GEAR HOUSING ASSEMBLY Basic 5.44 1.60 Cambered Skeg GRAPHITE GREY	72	1	8M0159707	GEAR HOUSING ASSEMBLY Basic 5.44 1.60 Cambered Skeg GRAPHITE GREY	78	1
8M0159707	GEAR HOUSING ASSEMBLY Basic 5.44 1.60 Cambered Skeg GRAPHITE GREY	84	1	8M0159708	GEAR HOUSING ASSEMBLY Basic, (Counter Rotation) 5.44 1.60 Cambered Skeg COLD FUSION WHITE	72	1
8M0159708	GEAR HOUSING ASSEMBLY Basic, (Counter Rotation) 5.44 1.60 Cambered Skeg COLD FUSION WHITE	78	1	8M0159708	GEAR HOUSING ASSEMBLY Basic, (Counter Rotation) 5.44 1.60 Cambered Skeg COLD FUSION WHITE	84	1
8M0159709	GEAR HOUSING ASSEMBLY Basic, (Counter Rotation) 5.44 1.60 Cambered Skeg GRAPHITE GREY	72	1	8M0159709	GEAR HOUSING ASSEMBLY Basic, (Counter Rotation) 5.44 1.60 Cambered Skeg GRAPHITE GREY	78	1
8M0159709	GEAR HOUSING ASSEMBLY Basic, (Counter Rotation) 5.44 1.60 Cambered Skeg GRAPHITE GREY	86	1	8M0159710	GEAR HOUSING ASSEMBLY Basic SportMaster Cold Fusion White	92	1
8M0159710	GEAR HOUSING ASSEMBLY Basic SportMaster Cold Fusion White	98	1	8M0159711	GEAR HOUSING ASSEMBLY Basic SportMaster Graphite Gray	92	1
8M0159711	GEAR HOUSING ASSEMBLY Basic SportMaster Graphite Gray	98	1	8M0159712	GEAR HOUSING ASSEMBLY Basic SportMaster Cold Fusion White Cambered Skeg	92	1
8M0159712	GEAR HOUSING ASSEMBLY Basic SportMaster Cold Fusion White Cambered Skeg	98	1	8M0159713	GEAR HOUSING ASSEMBLY Basic, SportMaster Cambered Skeg Graphite Grey	92	1
8M0159713	GEAR HOUSING ASSEMBLY Basic, SportMaster Cambered Skeg Graphite Grey	98	1	8M0159714	GEAR HOUSING ASSEMBLY Basic SportMaster Counter Rotation Cambered Skeg Cold Fusion White	92	1

PARTS INDEX

Part No.	Description	Pg.	Ref.no	Part No.	Description	Pg.	Ref.no
8M0159714	GEAR HOUSING ASSEMBLY Basic SportMaster Counter Rotation Cambered Skeg Cold Fusion White	98	1	8M0159714	GEAR HOUSING ASSEMBLY Basic SportMaster Counter Rotation Cambered Skeg Cold Fusion White	102	1
8M0159715	GEAR HOUSING ASSEMBLY Basic SportMaster Counter Rotation Cambered Skeg Graphite Grey	92	1	8M0159715	GEAR HOUSING ASSEMBLY Basic SportMaster Counter Rotation Cambered Skeg Graphite Grey	100	1
8M0159715	GEAR HOUSING ASSEMBLY Basic SportMaster Counter Rotation Cambered Skeg Graphite Grey	102	1	8M0159923	DECAL SET Accent Panel, 450R	8	2
8M0160428	PULLER PLATE	114	24	8M0161387	FUEL SUPPLY MODULE	28	1
8M0161387	FUEL SUPPLY MODULE	30	-	8M0161388	HOSE ASSEMBLY MAP SENSOR	28	5
8M0161389	HOSE ASSEMBLY UPPER MANIFOLD REF	28	7	8M0161390	FUEL INJECTOR	28	13
8M0161391	HOSE ASSEMBLY FUEL INLET	28	22	8M0161392	QUICK CONNECT	32	6
8M0161392	QUICK CONNECT	32	7	8M0161393	HOSE ASSEMBLY FUEL FILTER to FSM	28	23
8M0161394	HOSE ASSEMBLY FUEL HP STBD RAIL	28	18	8M0161395	FUEL RAIL PORT	28	11
8M0161396	FUEL RAIL STBD	28	11	8M0161397	FSM CAP	30	8
8M0161398	TUBE SUCTION	30	10	8M0161399	PUMP ASSEMBLY LOW PRESSURE	30	13
8M0161400	PUMP ASSEMBLY HIGH PRESSURE	30	12	8M0161401	TUBE FUEL	30	17
8M0161402	HARNNESS ASSEMBLY	30	23	8M0161403	HOSE ASSEMBLY FLUSH	38	34
8M0161404	POPPET VALVE ASSEMBLY	38	28	8M0161405	CHAP PLATE ASSEMBLY	54	1
8M0161406	SEAL LOWER COWL FRONT Starboard	54	4	8M0161407	SCREW (M5 X 18)	54	8
8M0161408	HOSE (FSM TO TELL TALE)	54	14	8M0161409	SPRAYER HOSE ASSEMBLY Port	54	16
8M0161410	SPRAYER HOSE ASSEMBLY Starboard	54	17	8M0161411	STRAINER ASSEMBLY	56	9
8M0161412	FITTING SPRAYER	56	41	8M0161413	EXHAUST COUPLER	58	46
8M0161414	ORING	58	47	8M0161415	MOUNT CRADLE Cold Fusion, White	60	1
8M0161416	MOUNT CRADLE Graphite Grey	60	1	8M0161417	WASHER MOUNT	60	9
8M0161418	MOUNT LOWER	60	12	8M0161419	BEARING W SHOULDER	60	32
8M0161420	COVER CRADLE ASSEMBLY Graphite Grey Tie Bar	106	1	8M0161421	COVER CRADLE ASSEMBLY Cold Fusion Tie Bar	106	1
8M0161423	BEARING SHOULDER	62	16	8M0161425	POWER TRIM ASSEMBLY	62	24
8M0161427	DECAL Caution Multiple Engine	64	47	8M0161430	WASHER Flat	62	27
8M0161431	HOUSING DRIVESHAFT Graphite Grey	68	1	8M0161432	HOUSING DRIVESHAFT Cold Fusion White	68	1
8M0161433	DRIVESHAFT KIT Long	108	15	8M0161436	OIL SEAL CARRIER ASSEMBLY	74	16
8M0161437	SCREW (M10x1.5x30)	106	4	8M0161438	SCREW (M10x1.5x60)	106	5
8M0161439	BOLT	106	7	8M0161440	SCREW (M6 x 14)	36	49
8M0161441	FITTING BARB	106	12	8M0161442	THERMOSTAT	38	8
8M0161443	TUBING	106	10	8M0161444	SPACER ASSEMBLY 5 IN Silver	108	1
8M0161445	SPACER ASSEMBLY 5 IN Cold Fusion	108	1	8M0161446	TIEBAR ASSEMBLY Cold Fusion	106	3
8M0161447	TIEBAR ASSEMBLY Graphite Grey	106	3	8M0161448	WATER TUBE	108	3
8M0161448	WATER TUBE	108	10	8M0161449	BEARING CARRIER ASSEMBLY	80	20
8M0161449	BEARING CARRIER ASSEMBLY	86	20	8M0161644	FUSE 200A Blue	36	45
8M0161892	BUS BAR ASSEMBLY	36	46	8M0161893	COVER AIR	36	47
8M0161895	BREATHER HOSE Starboard to Intake	50	7	8M0161897	FACEPLATE GASKET	74	21
8M0161897	FACEPLATE GASKET	94	20	8M0161898	SPACER ASSEMBLY 10 IN, Grey	108	8
8M0161899	SPACER ASSEMBLY 10 IN, White	108	8	8M0162402	HOSE ASSEMBLY Water Drain	38	27
8M0162403	HOSE ASSEMBLY Water Drain	38	30	8M0162404	HOSE ASSEMBLY Water Out, Starboard	38	31
8M0162413	HOSE Supercharger Water In	38	32	8M0162424	HOSE ASSEMBLY Poppet to Oil Cooler, Port	38	33
8M0162425	HOSE ASSEMBLY Water Inlet, Port	38	36	8M0162427	GROMMET Water Lines, Port	38	37
8M0162440	HOSE ASSEMBLY Starboard, Water Inlet	38	38	8M0162441	GROMMET Water Lines Starboard	38	39
8M0162442	HOSE Spayer	38	40	8M0162443	HOSE Oil Cooler Water Out	38	41
8M0162444	HOSE Supercharger Water Out	40	42	8M0162445	HOSE ASSEMBLY Water Drain	40	43
8M0162448	FITTING Water Inlet	38	16	8M0162572	COVER CRADLE Front, Graphite Grey	10	26
8M0162573	COVER CRADLE Front, Cold Fusion, White	10	26	8M0162798	RETAINER Bearing Carrier	82	36
8M0162798	RETAINER Bearing Carrier	88	36	8M0162821	ISOLATER Bypass	36	48
8M0162824	LONG BLOCK	42	-	8M0162824	LONG BLOCK	48	-
8M0162824	LONG BLOCK	52	-	8M0162853	BRACKET COVER	60	2
8M0163866	SHIM SET	66	21	8M0164060	TENSIONER ASSEMBLY	14	11
8M0164261	PULLEY Idler	14	17	8M0164308	Bracket Assembly Graphite Grey	68	2
8M0164309	Bracket Assembly Cold Fusion White	68	2	8M0164950	COVER CRADLE ASSEMBLY Black, Tie Bar	106	1
8M0164954	SOUND BLANKET Port/Starboard	106	2	8M0164955	PEDESTAL Cold Fusion White	62	1
8M0164956	PEDESTAL Graphite Grey	62	1	8M0164967	BUSHING Shift Shaft	74	31
8M0164967	BUSHING Shift Shaft	94	31	8M0164968	SHIFT SHAFT Long Includes Bushing Design II	74	37
8M0164968	SHIFT SHAFT Long Includes Bushing Design II	94	35	8M0164969	SHIFT SHAFT X-Long Includes Bushing Design II	74	37
8M0164969	SHIFT SHAFT X-Long Includes Bushing Design II	94	35	8M0164970	SHIFT SHAFT XX-Long Includes Bushing Design II	74	37
8M0164970	SHIFT SHAFT XX-Long Includes Bushing Design II	94	35	8M0164971	CYLINDER HEAD Starboard	46	-

PARTS INDEX

Part No.	Description	Pg.	Ref.no	Part No.	Description	Pg.	Ref.no
8M0164972	CYLINDER HEAD Port	46	-	8M0165801	BEARING Adaptor	80	31
8M0165801	BEARING Adaptor	88	31	8M0166309	COUPLING Water Pump	74	25
8M0166531	GEARCASE SEAL KIT	74	-	8M0166531	GEARCASE SEAL KIT	82	-
8M0166531	GEARCASE SEAL KIT	88	-	8M0166531	GEARCASE SEAL KIT	94	-
8M0166531	GEARCASE SEAL KIT	100	-	8M0166531	GEARCASE SEAL KIT	104	-
8M0167590	BEARING CARRIER RH 1.60	100	19	8M0167591	BEARING CARRIER LH 1.60	104	19
8M0167615	COVER Bedplate	36	50	8M0168205	DRIVESHAFT KIT Long	108	16
8M0168208	DRIVESHAFT KIT X-Long	108	16	8M0168210	DRIVESHAFT KIT XX-Long	108	16
8M0168882	HOSE Oil, Cylinder Head to Supercharger	36	51	8M0174099	STEERING HEAD Gray	62	15
8M0175149	GASKET Intake	36	52	8M0175480	BRACKET Ground Assembly	36	57
8M0175978	SCREW Tensioner	14	12	8M6000385	CLAMP (39.6 MM)	26	33
8M6001459	CLAMP (45.5)	26	8	8M6001577	O-RING M6 X 46	26	34
90196	O-RING (.921 x .139)	26	7	95925	PLUG	62	38
98234A2	DRILL FIXTURE KIT Transom	114	NS	98727	FITTING Grease	14	14
NSS	NOT SOLD SEPARATE DECAL, EPA	2	-	NSS	NOT SOLD SEPARATE SCREW	4	3
NSS	NOT SOLD SEPARATE SCREW	4	16	NSS	NOT SOLD SEPARATE	8	1
NSS	NOT SOLD SEPARATE	18	1	NSS	NOT SOLD SEPARATE O-Ring	30	3
NSS	NOT SOLD SEPARATE Spacer	30	4	NSS	NOT SOLD SEPARATE O-Ring	30	6
NSS	NOT SOLD SEPARATE Seal	30	7	NSS	NOT SOLD SEPARATE O-Ring	30	9
NSS	NOT SOLD SEPARATE Seal	30	11	NSS	NOT SOLD SEPARATE Seal	30	14
NSS	NOT SOLD SEPARATE O-Ring	30	15	NSS	NOT SOLD SEPARATE Seal	30	18
NSS	NOT SOLD SEPARATE O-Ring	30	24	NSS	NOT SOLD SEPARATE O-Ring	30	25
NSS	NOT SOLD SEPARATE	42	1	NSS	NOT SOLD SEPARATE	42	2
NSS	NOT SOLD SEPARATE	46	1	NSS	NOT SOLD SEPARATE	46	1
NSS	NOT SOLD SEPARATE	46	5	NSS	NOT SOLD SEPARATE	52	9
NSS	NOT SOLD SEPARATE	52	11	NSS	NOT SOLD SEPARATE	62	2
NSS	NOT SOLD SEPARATE	62	9	NSS	NOT SOLD SEPARATE Decal-Serial Overlaminat	62	33
NSS	NOT SOLD SEPARATE	66	12	NSS	NOT SOLD SEPARATE	66	18
NSS	NOT SOLD SEPARATE	92	5	NSS	NOT SOLD SEPARATE	94	17
NSS	NOT SOLD SEPARATE	94	25	NSS	NOT SOLD SEPARATE	94	26
NSS	NOT SOLD SEPARATE	100	6				